



US00D957339S

(12) **United States Design Patent** (10) **Patent No.:** **US D957,339 S**  
**Nook et al.** (45) **Date of Patent:** **\*\* Jul. 12, 2022**

(54) **ELECTRICAL PORT**

(71) Applicant: **THE NOCO COMPANY**, Glenwillow, OH (US)

(72) Inventors: **Jonathan Lewis Nook**, Gates Mills, OH (US); **William Knight Nook, Sr.**, Shaker Heights, OH (US); **James Richard Stanfield**, Glendale, AZ (US); **Derek Michael Underhill**, Tempe, AZ (US)

(73) Assignee: **THE NOCO COMPANY**, Glenwillow, OH (US)

(\*) Notice: This patent is subject to a terminal disclaimer.

(\*\*) Term: **15 Years**

(21) Appl. No.: **29/756,096**

(22) Filed: **Oct. 26, 2020**

**Related U.S. Application Data**

(63) Continuation of application No. 29/682,408, filed on Mar. 5, 2019, now Pat. No. Des. 900,032.

(51) **LOC (13) Cl.** ..... **13-03**

(52) **U.S. Cl.**  
USPC ..... **D13/137.1**

(58) **Field of Classification Search**  
USPC ..... D13/107, 110, 123, 133, 137.1, 137.2, D13/137.4, 146, 147, 153, 154, 156, 173, D13/184, 199  
CPC ..... H01R 9/00; H01R 13/00; H01R 13/514; H01R 13/52; H01R 13/53; H01R 13/62; H01R 25/00; H01R 27/00; H01R 31/06

See application file for complete search history.

(56) **References Cited**

**U.S. PATENT DOCUMENTS**

D316,399	S	*	4/1991	Wharton	.....	D13/133
6,767,255	B1	*	7/2004	Croswell	.....	H01R 25/003 439/106
7,210,960	B2	*	5/2007	Mak	.....	H01R 13/504 439/505
D649,938	S	*	12/2011	Erickson	.....	D13/147
D684,929	S	*	6/2013	Nook	.....	D13/137.1
D746,774	S	*	1/2016	Nook	.....	D13/120
D800,666	S	*	10/2017	Nook	.....	D13/148
D872,696	S	*	1/2020	Yu	.....	D13/137.4
D893,431	S	*	8/2020	Nook	.....	D13/137.4
D900,032	S	*	10/2020	Nook	.....	D13/137.1
11,146,029	B1	*	10/2021	Shaffer	.....	H01R 13/6395
D936,021	S	*	11/2021	Nook	.....	D13/137.1
D936,592	S	*	11/2021	Nook	.....	D13/137.1
2013/0115804	A1	*	5/2013	Vallon	.....	H01R 25/003 439/501

(Continued)

*Primary Examiner* — Shawn T Gingrich

(74) *Attorney, Agent, or Firm* — Vorys, Sater, Seymour & Pease LLP; William Klima

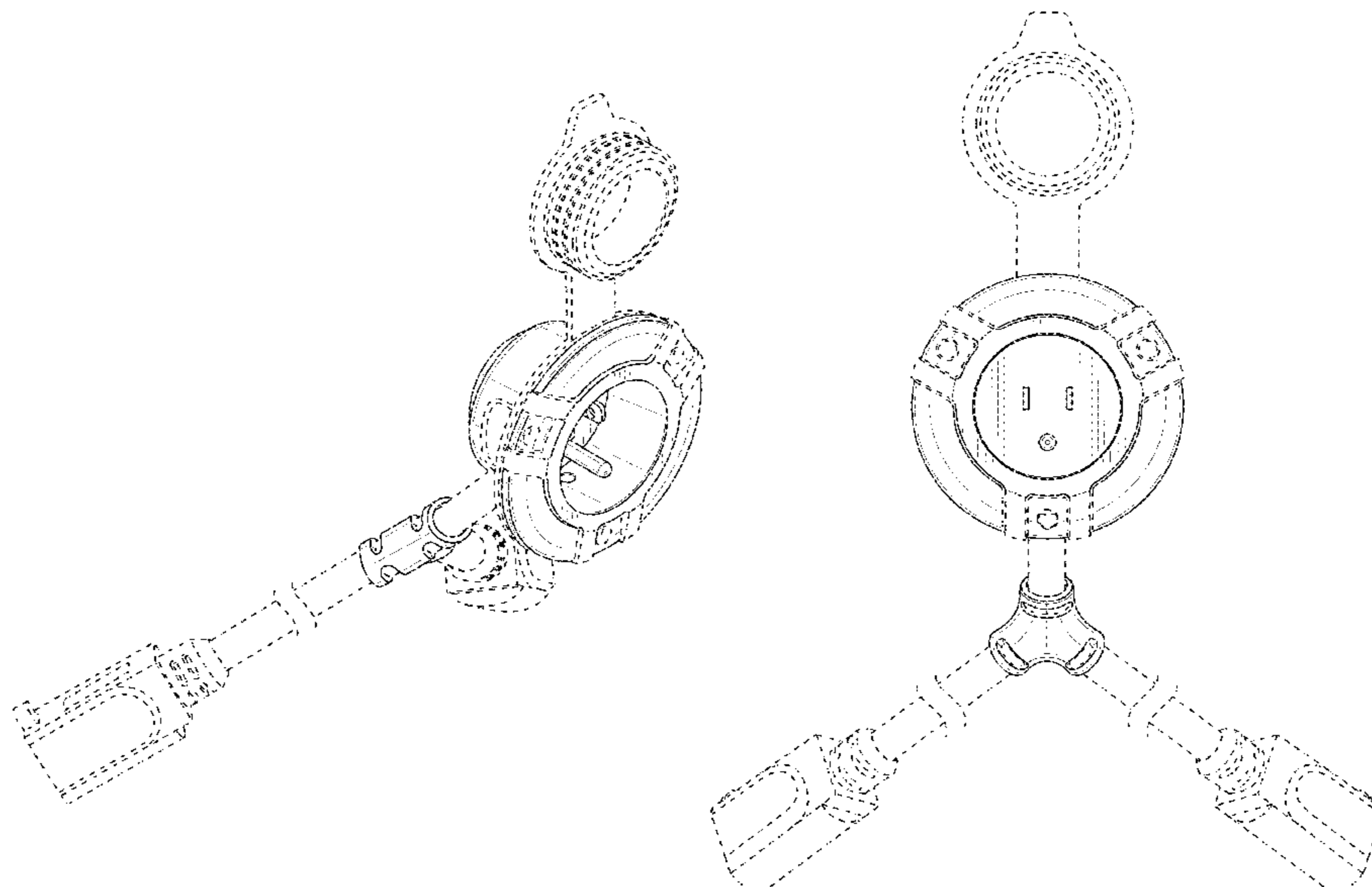
(57) **CLAIM**

The ornamental design for an electrical port, as shown and described.

**DESCRIPTION**

FIG. 1 is a perspective view of a new design for an electrical port, with the cover off; FIG. 2 is a front elevational view thereof; FIG. 3 is a rear elevational view thereof; FIG. 4 is a right side elevational plan view thereof; FIG. 5 is a left side elevational plan view thereof; FIG. 6 is a top plan view thereof; FIG. 7 is a bottom plan view thereof; and, FIG. 8 is another perspective view of a new design for an electrical port, with the cover on. The broken lines shown represent portions of the electrical port that form no part of the claimed design.

**1 Claim, 8 Drawing Sheets**



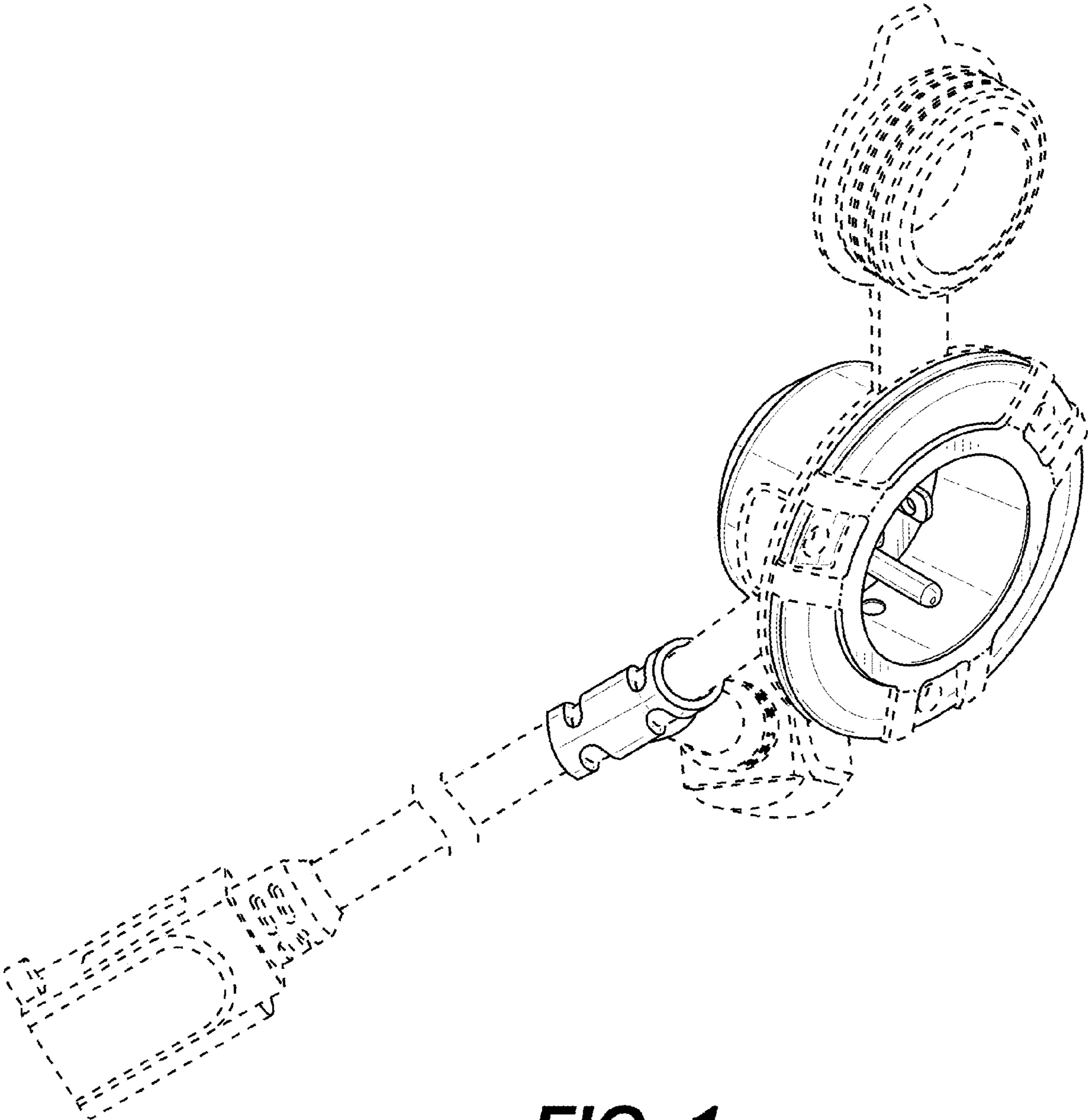
(56)

**References Cited**

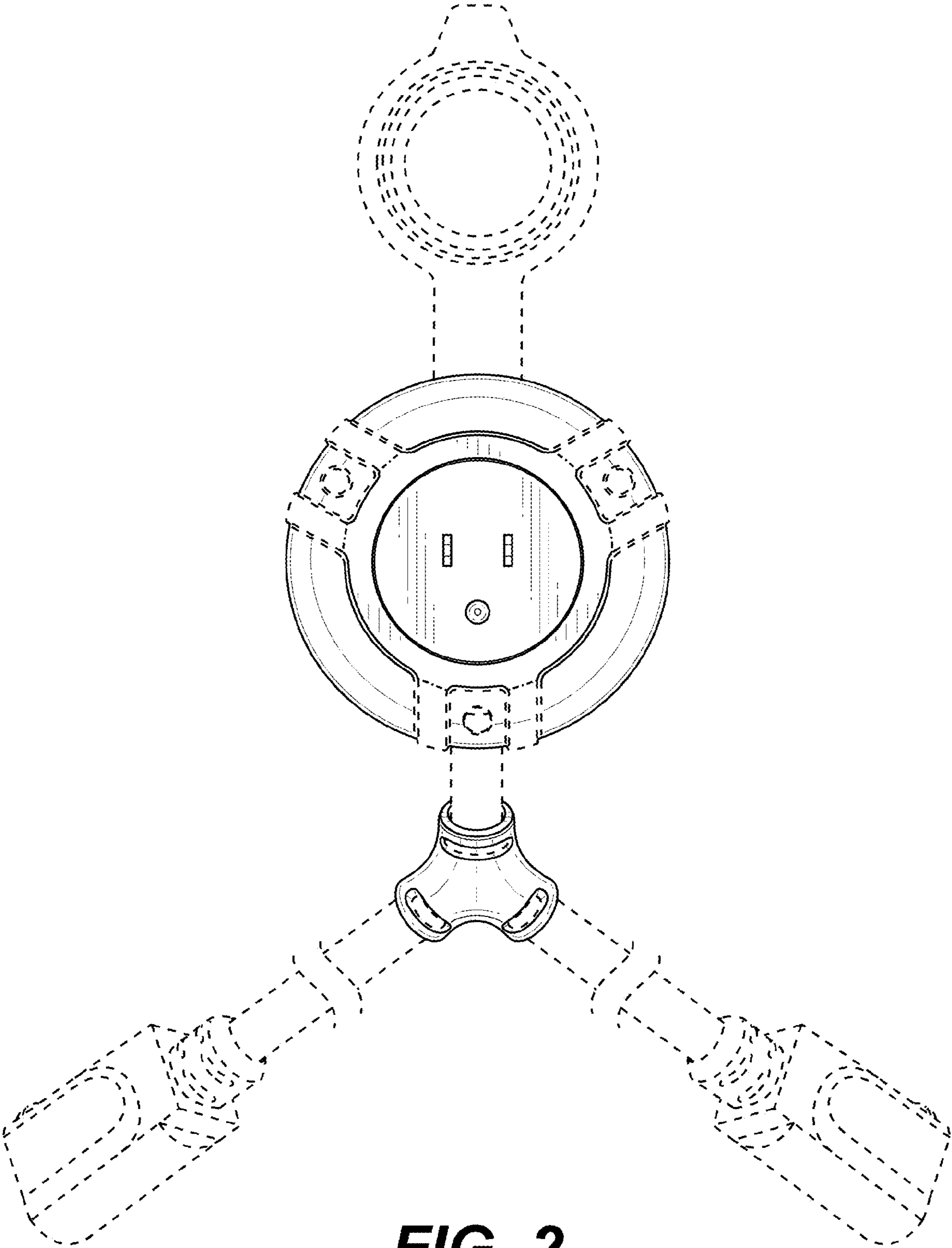
U.S. PATENT DOCUMENTS

2014/0094046 A1\* 4/2014 Lamb ..... H01R 13/62  
439/152  
2015/0132983 A1\* 5/2015 Daly ..... H01R 13/46  
439/332  
2017/0288335 A1\* 10/2017 Hsu ..... G02B 6/3825  
2019/0148868 A1\* 5/2019 Pierce-Jones ..... H01R 13/5216  
439/276

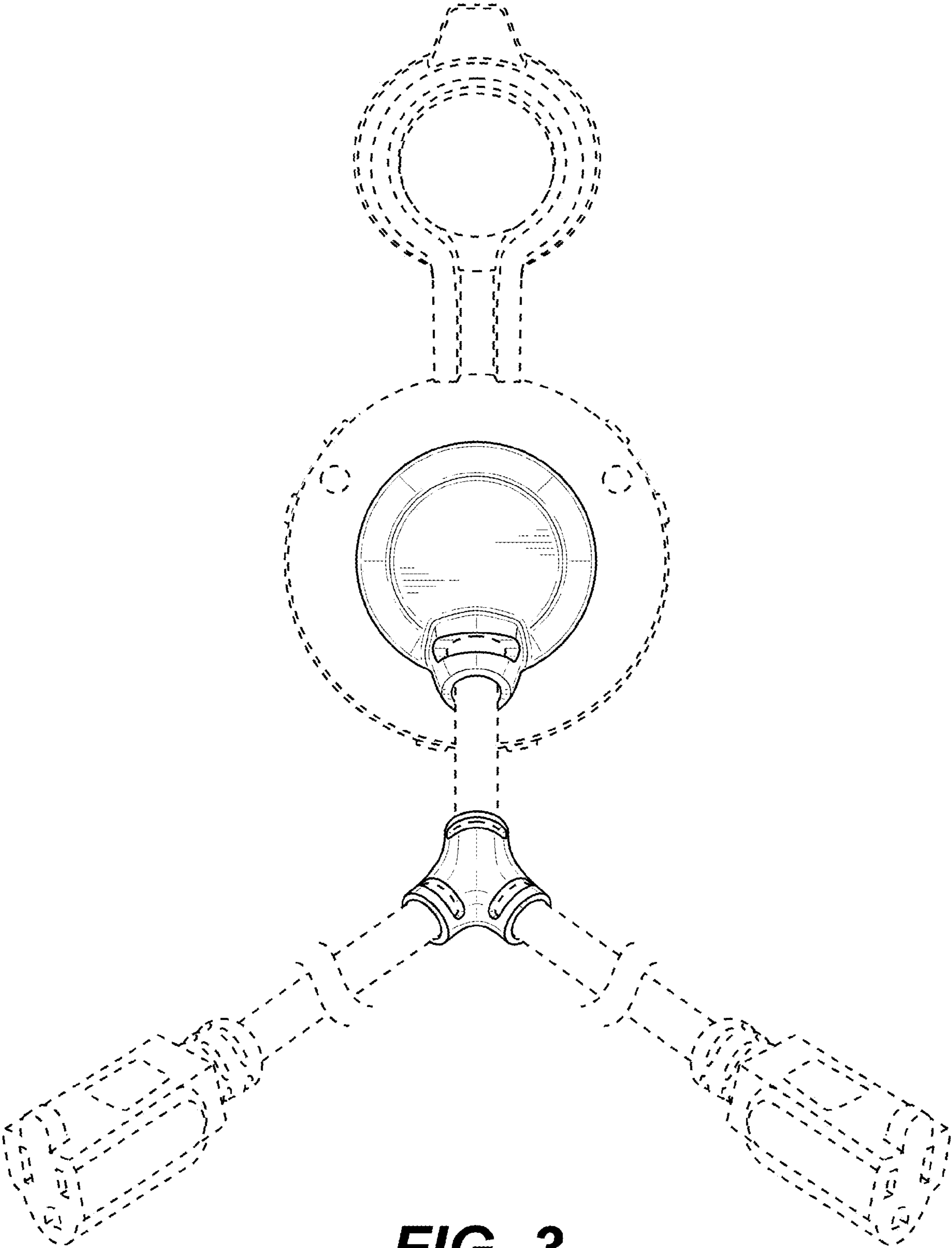
\* cited by examiner



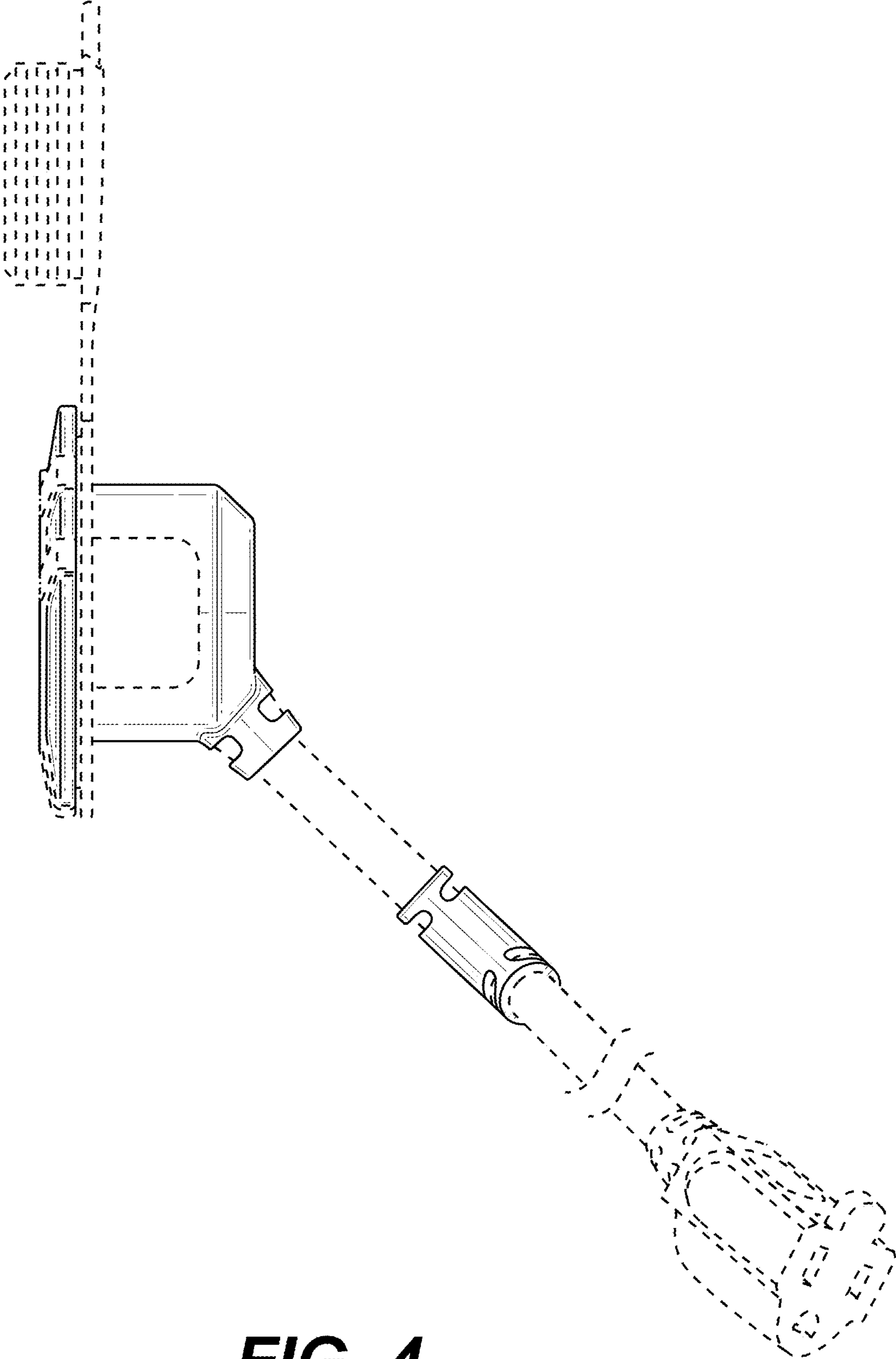
**FIG. 1**



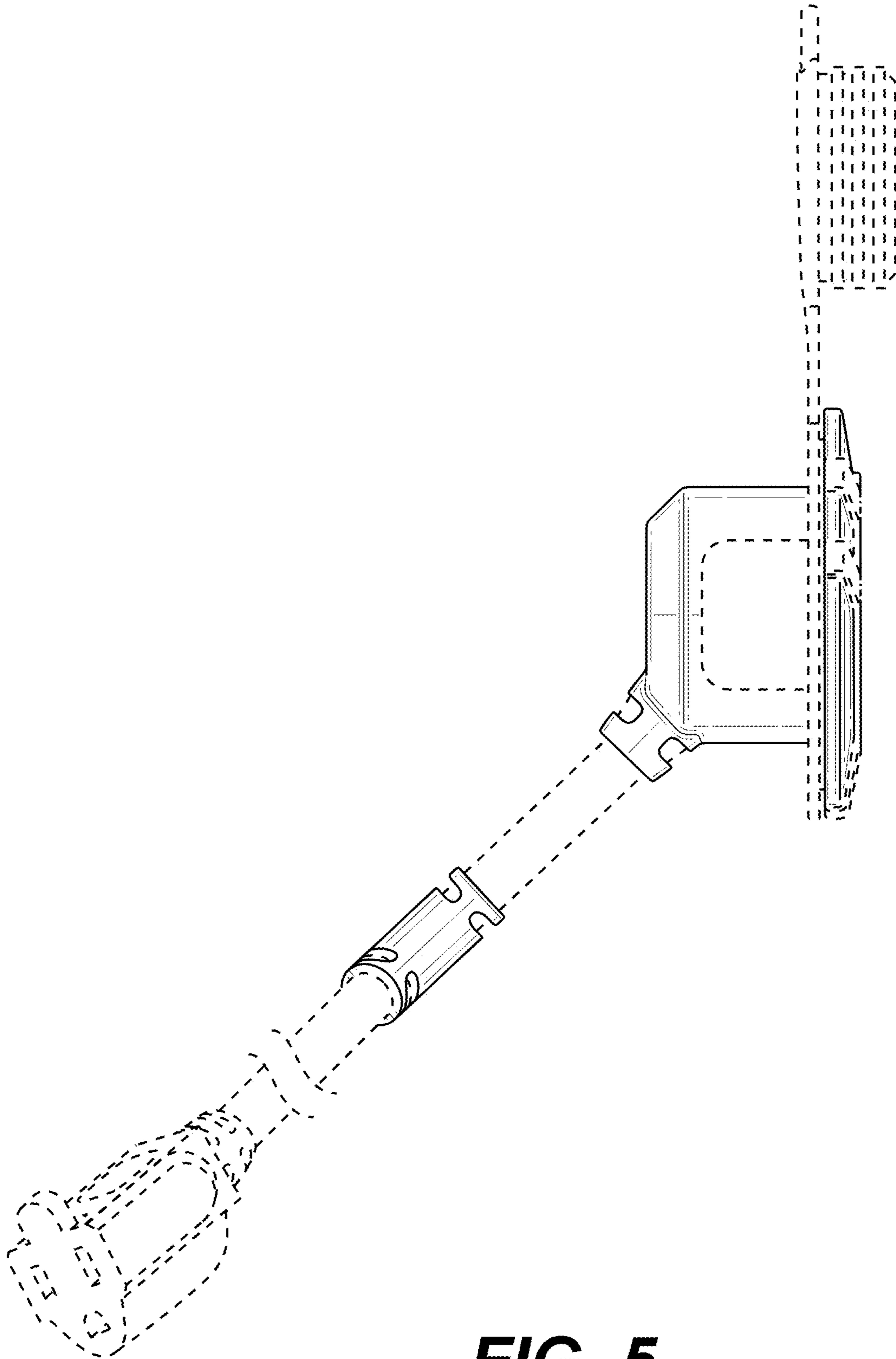
**FIG. 2**



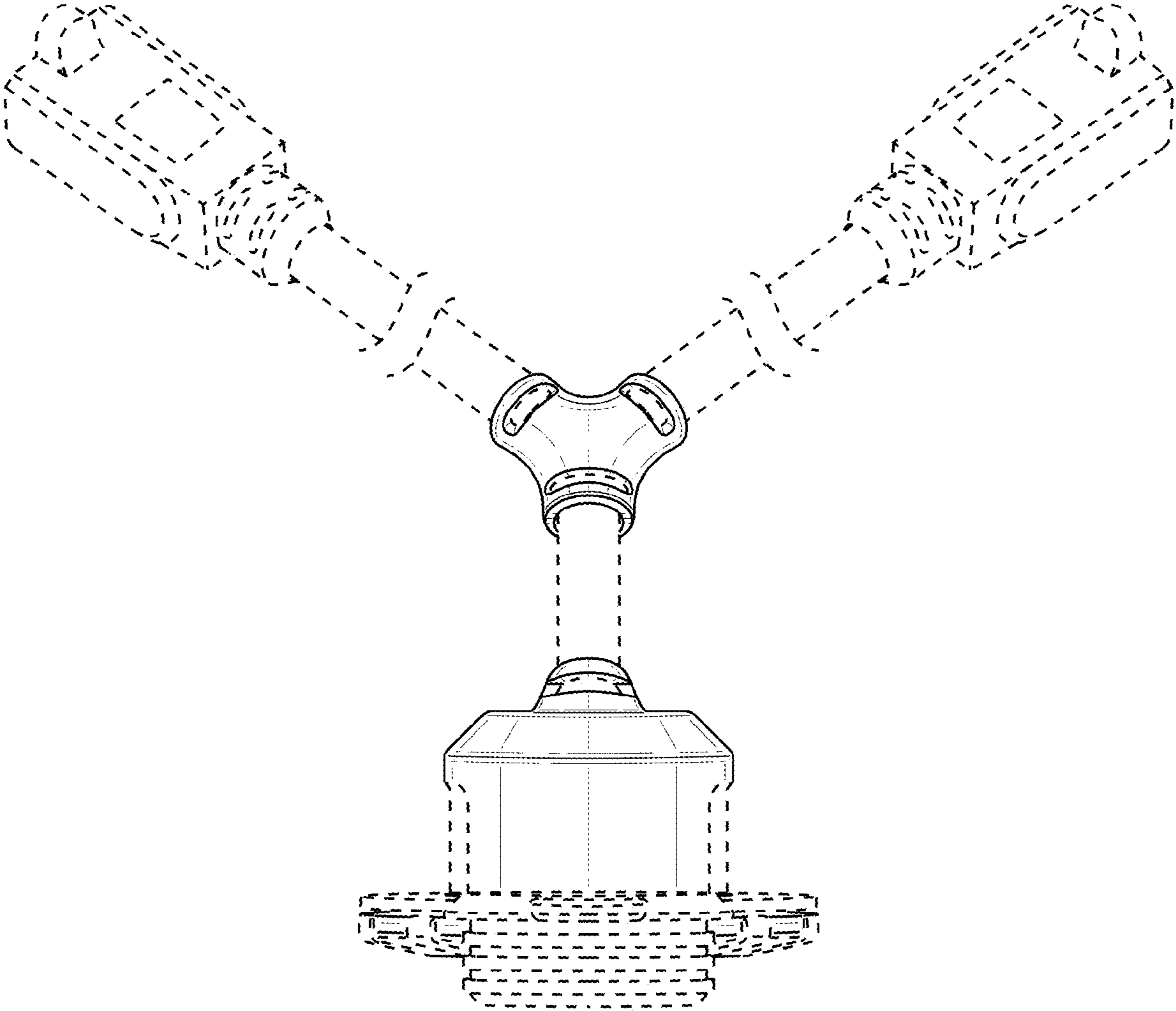
**FIG. 3**



**FIG. 4**

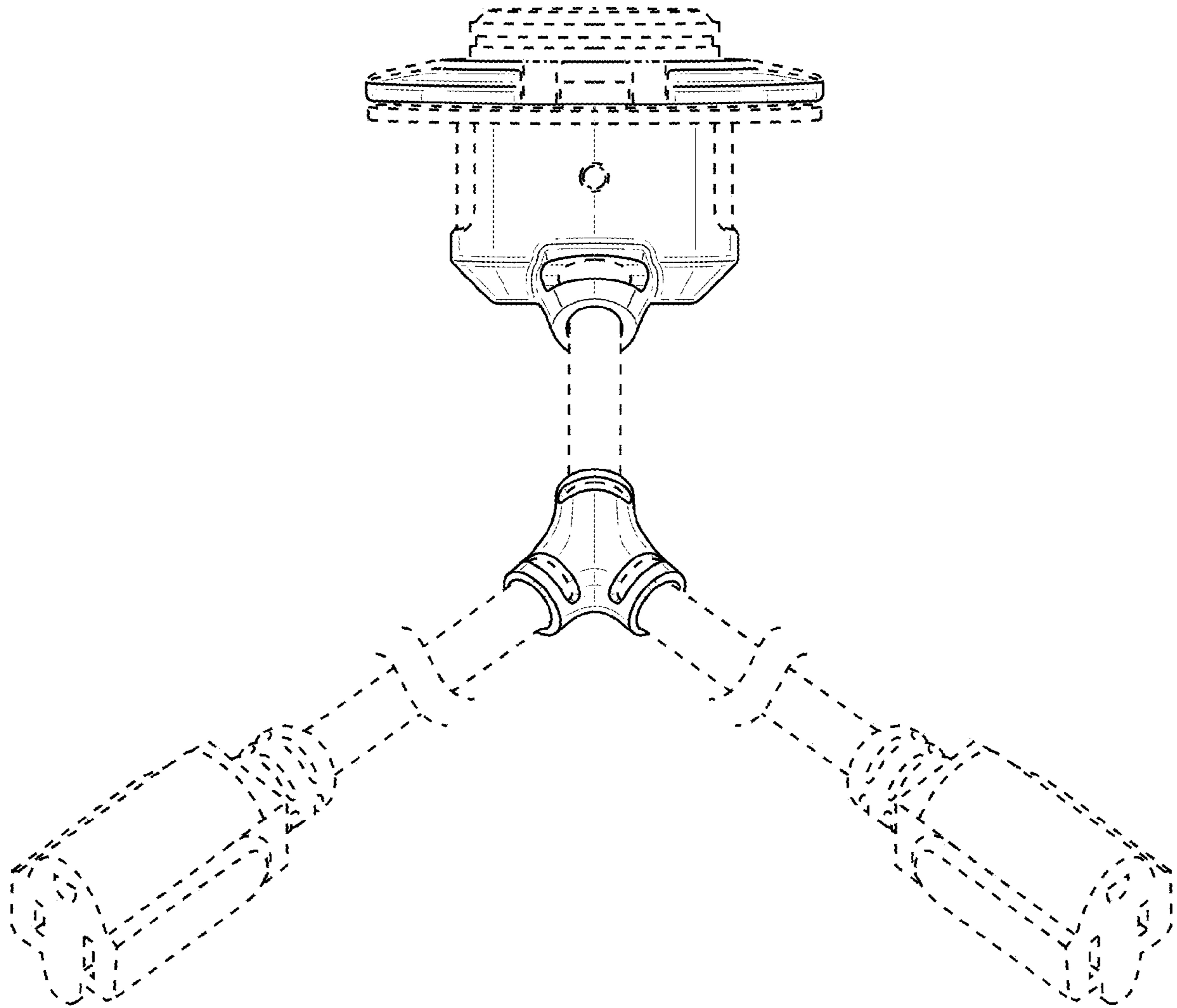


**FIG. 5**

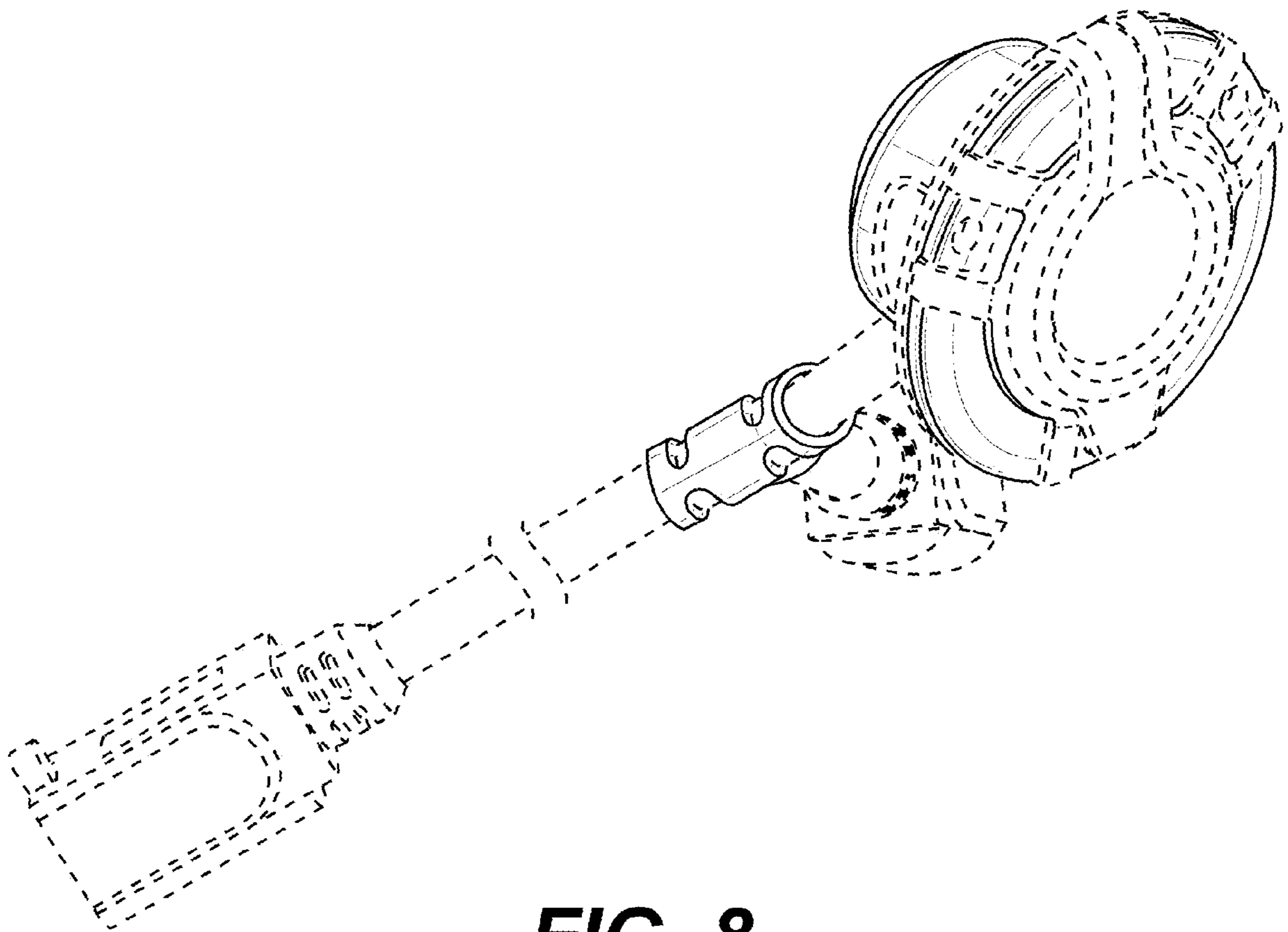


**FIG. 6**





**FIG. 7**



**FIG. 8**