



US00D957337S

(12) **United States Design Patent**  
**Chen**

(10) **Patent No.:** **US D957,337 S**

(45) **Date of Patent:** **\*\* Jul. 12, 2022**

(54) **CHARGER**

(71) Applicant: **Huiyu Chen**, Guangdong (CN)

(72) Inventor: **Huiyu Chen**, Guangdong (CN)

(\*\*) Term: **15 Years**

(21) Appl. No.: **29/772,425**

(22) Filed: **Mar. 1, 2021**

(51) **LOC (13) Cl.** ..... **13-02**

(52) **U.S. Cl.**  
USPC ..... **D13/119**

(58) **Field of Classification Search**

USPC ..... D13/103–110, 118–119; D3/294, 274,  
D3/905, 273; D26/25

CPC ..... H02J 7/0042; H02J 7/0045; H02J 7/0054;  
H02J 7/0044; H02J 2007/0062

See application file for complete search history.

(56) **References Cited**

**U.S. PATENT DOCUMENTS**

D902,855 S	*	11/2020	Liu	.....	D13/108
D904,291 S	*	12/2020	Ge	.....	D13/107
D908,083 S	*	1/2021	Kuang	.....	D13/107
D908,611 S	*	1/2021	Song	.....	D13/107
D908,612 S	*	1/2021	Sexton	.....	D13/103
D914,599 S	*	3/2021	Tong	.....	D13/110
D924,128 S	*	7/2021	Hasenmayer	.....	D13/107
D926,678 S	*	8/2021	Ayache	.....	D13/108
D931,203 S	*	9/2021	Bitsch	.....	D13/107
D933,599 S	*	10/2021	Lee	.....	D24/217
D936,578 S	*	11/2021	Zhu	.....	D12/425
D937,200 S	*	11/2021	Kawase	.....	D13/107
D943,517 S	*	2/2022	Deng	.....	D13/107

**OTHER PUBLICATIONS**

Chargers. (Design—© Questel) orbit.com. [Online PDF compilation of references] 48 pgs. Print Dates Range Feb. 22, 2022–Dec. 10, 2021 [Retrieved Apr. 14, 2022].\*

Schumacher Battery Charger. 2019, Farm And Fleet. <https://www.farmandfleet.com/products/1110386-schumacher-50-10-2-amp-battery-charger.html>.\*

<https://www.homedepot.com/p/DEWALT-30-Amp-Automotive-Portable-Car-Battery-Charger-with-80-Amp-Engine-Start-and-Alternator-Check-DXAEC801B/313553311>DEWALT 30 Amp Automotive Portable Car Battery Charger. Sep. 1, 2020. Home Depot.\*  
12V Smart Battery Charger. Apr. 16, 2019. Amazon. <https://www.amazon.com/Battery-Charger-Maintainer-Automatic-Engine/dp/B07QPSNZPP?th=1>.\*

\* cited by examiner

*Primary Examiner* — George D. Kirschbaum

*Assistant Examiner* — Suzanne E Tisdell

(57) **CLAIM**

The ornamental design for a charger, as shown.

**DESCRIPTION**

FIG. 1 is a front elevational view of a charger showing my new design;

FIG. 2 is a rear elevational view thereof;

FIG. 3 is a left side view thereof;

FIG. 4 is a right side view thereof;

FIG. 5 is a top plan view thereof;

FIG. 6 is a bottom plan view thereof;

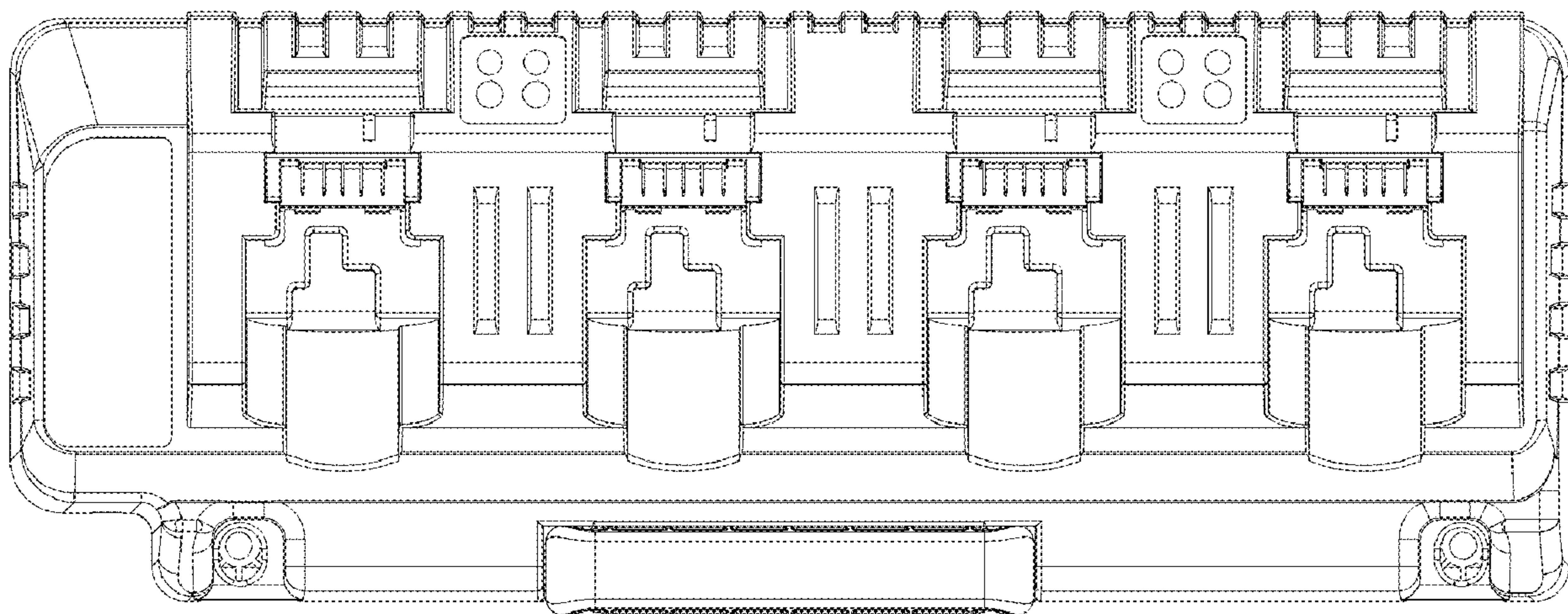
FIG. 7 is a bottom front perspective view.

FIG. 8 is a top left perspective view.

FIG. 9 is a rear bottom perspective view; and,

FIG. 10 is a rear right perspective view.

**1 Claim, 10 Drawing Sheets**



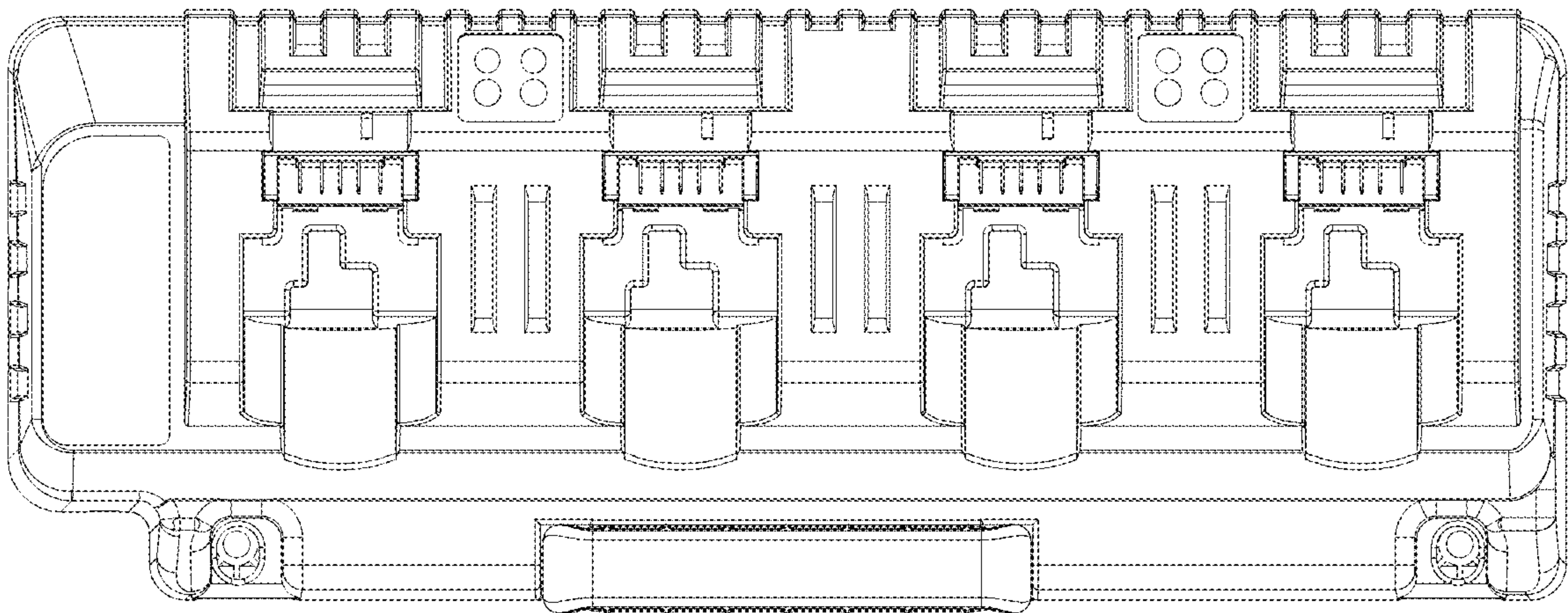


FIG. 1

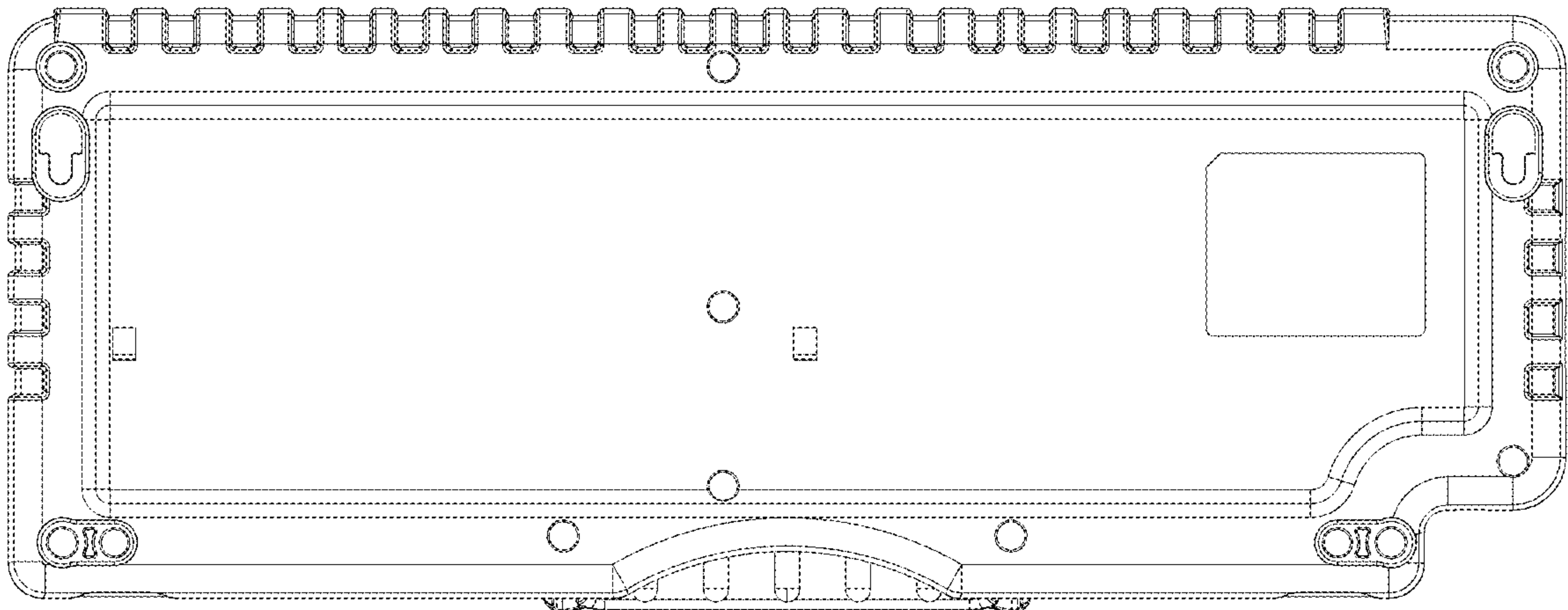


FIG. 2

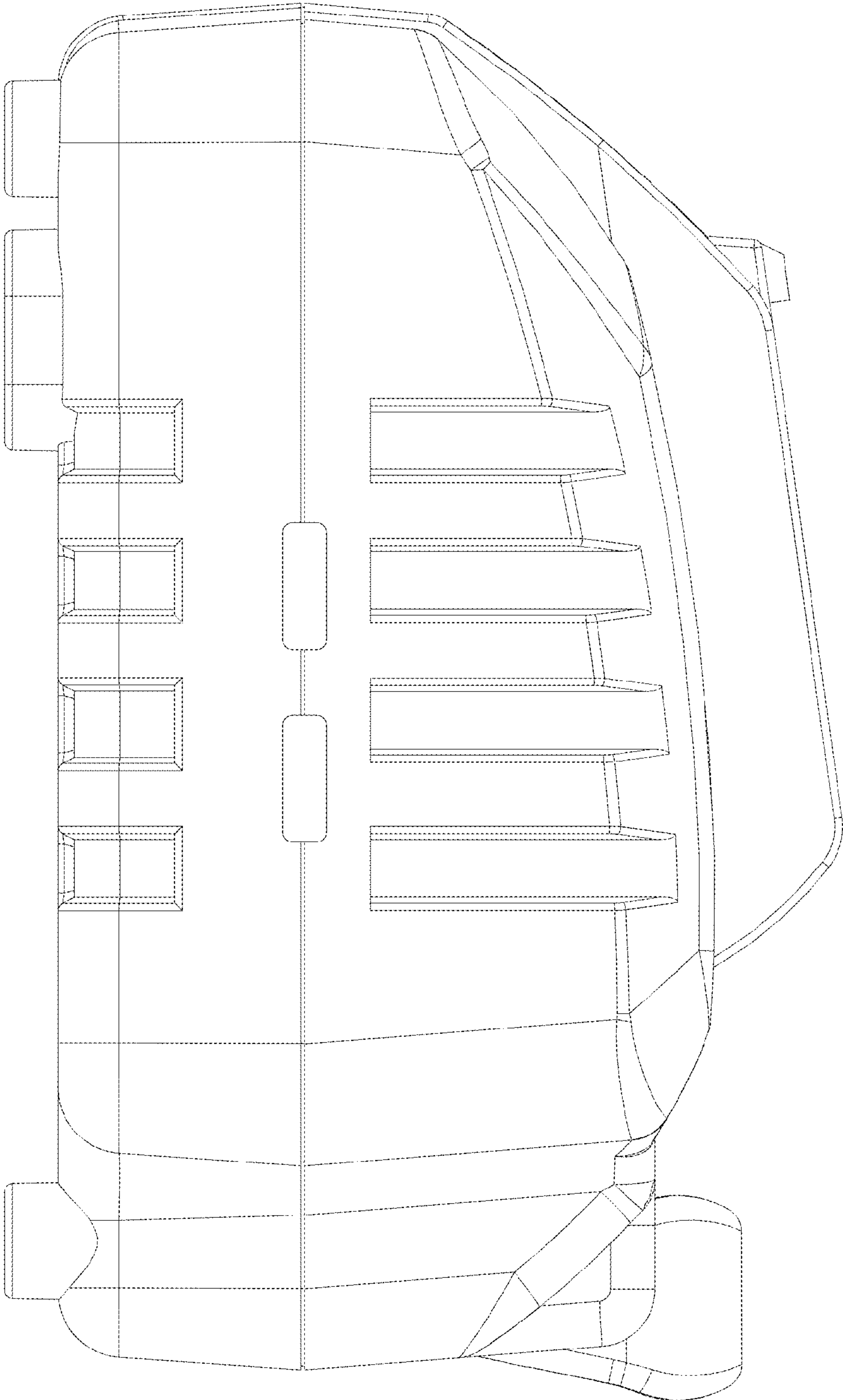


FIG. 3



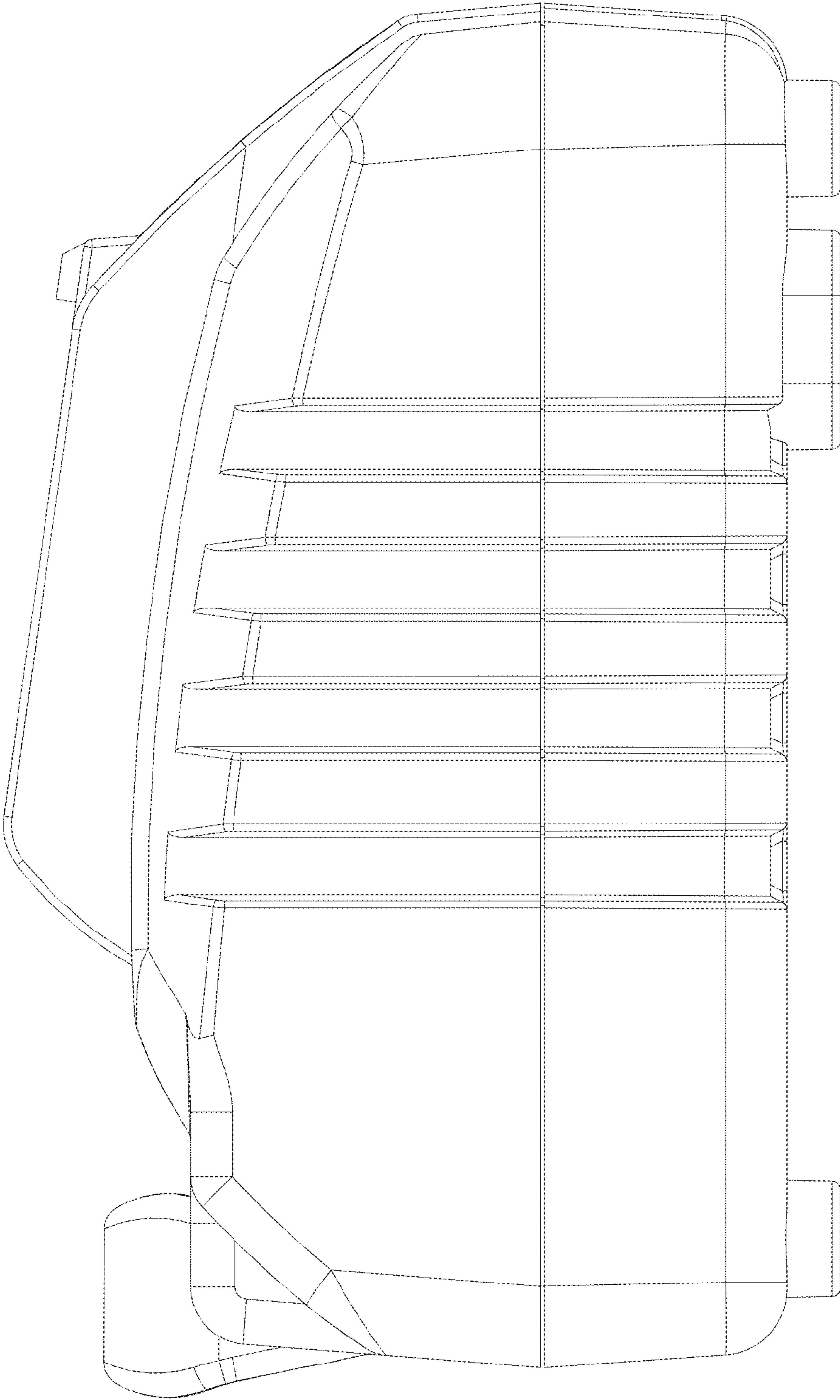


FIG. 4

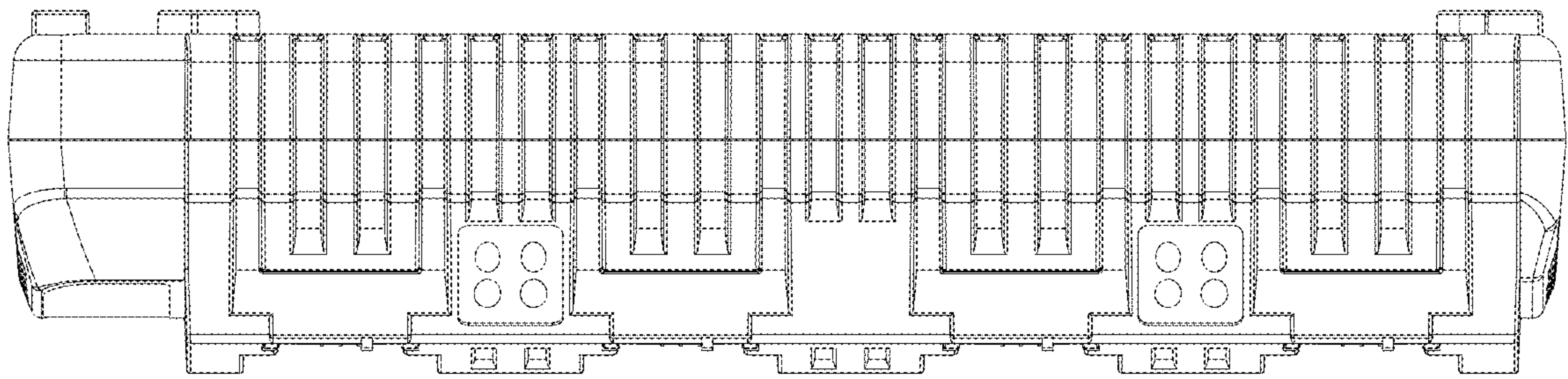


FIG. 5

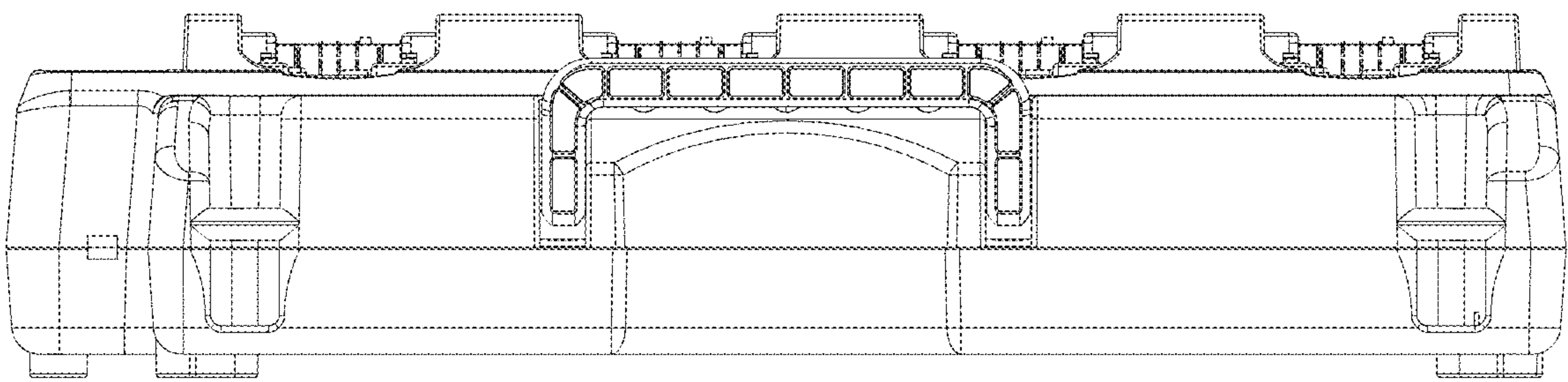


FIG. 6

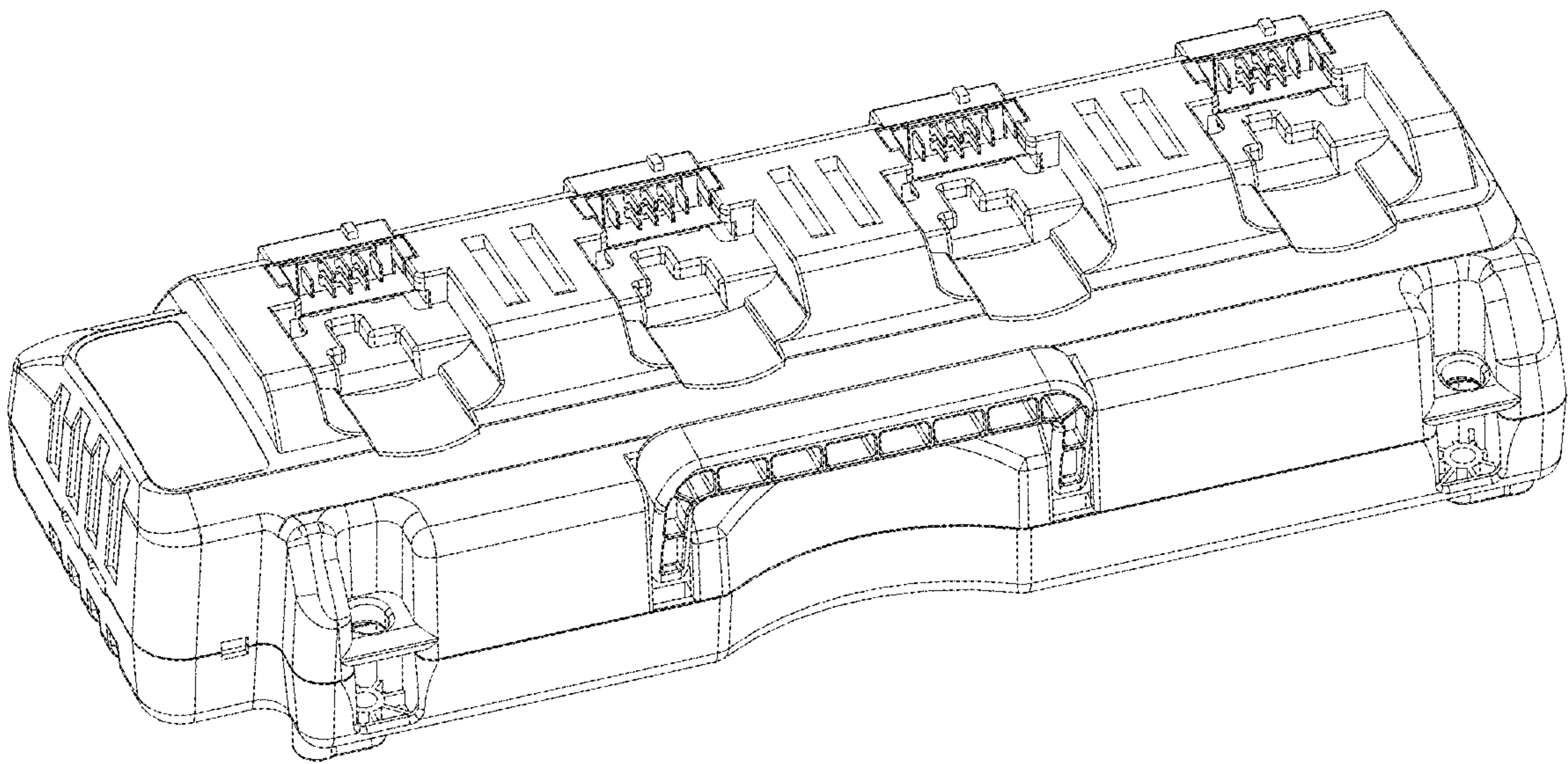


FIG. 7



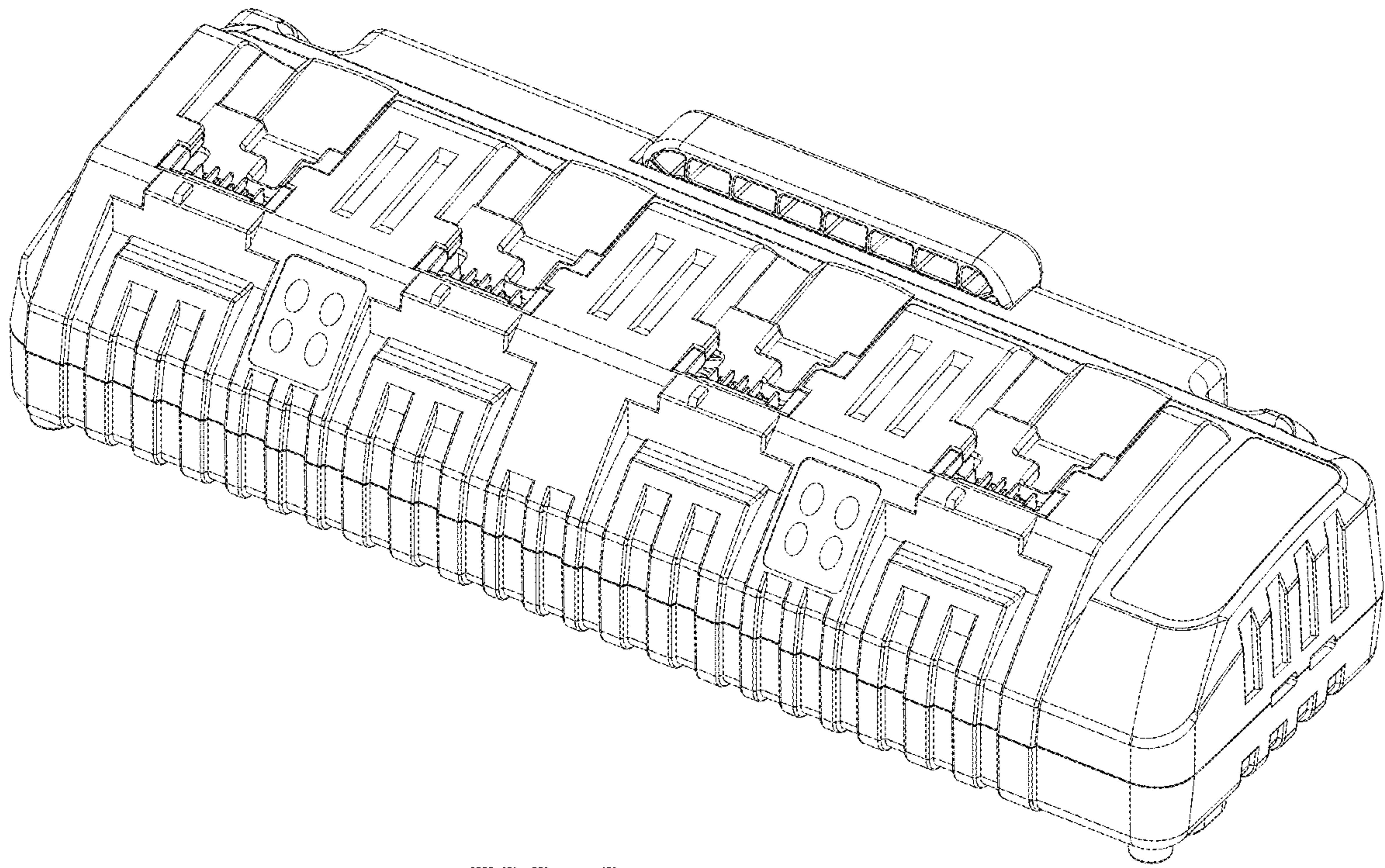


FIG. 8

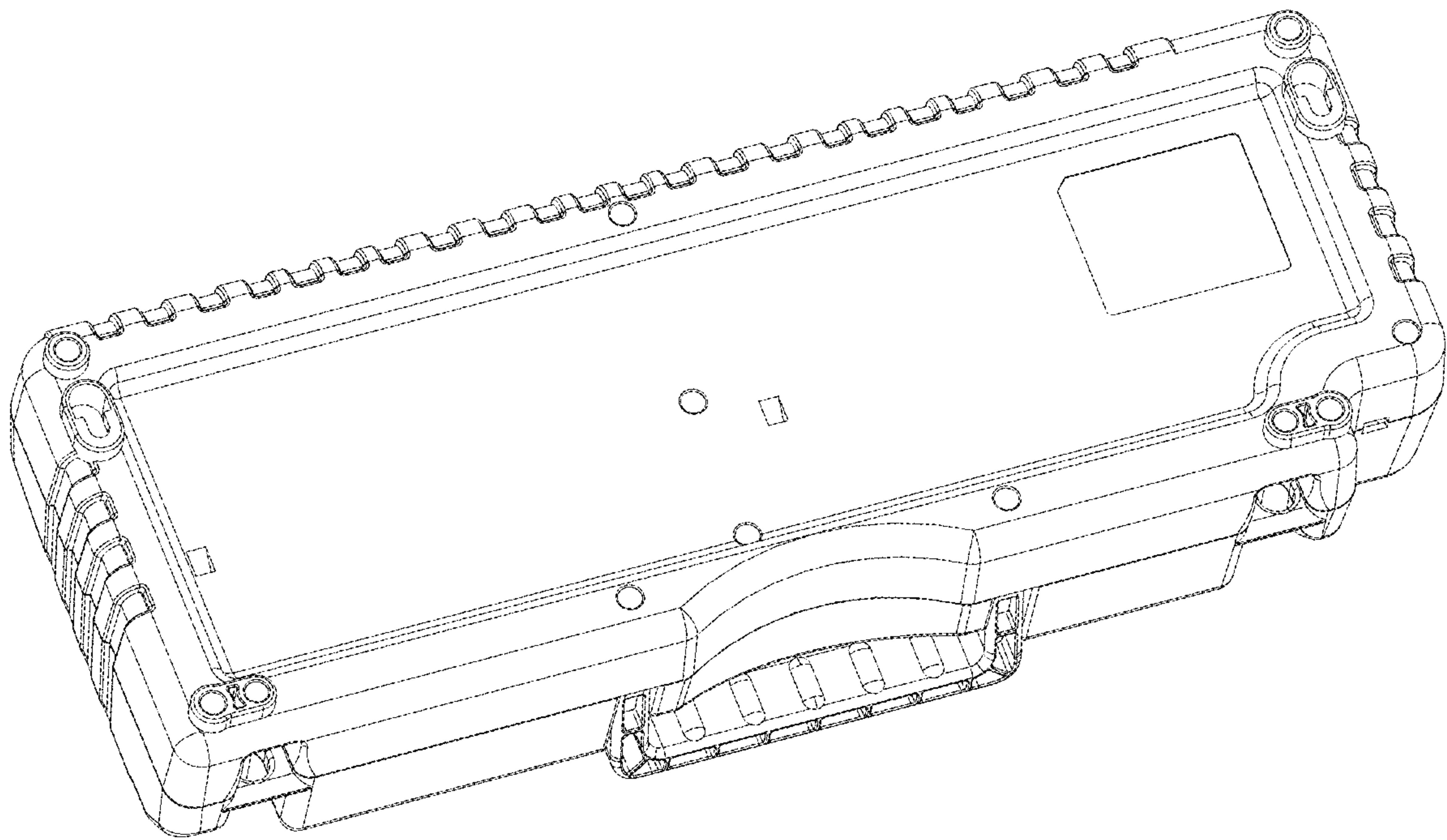


FIG. 9

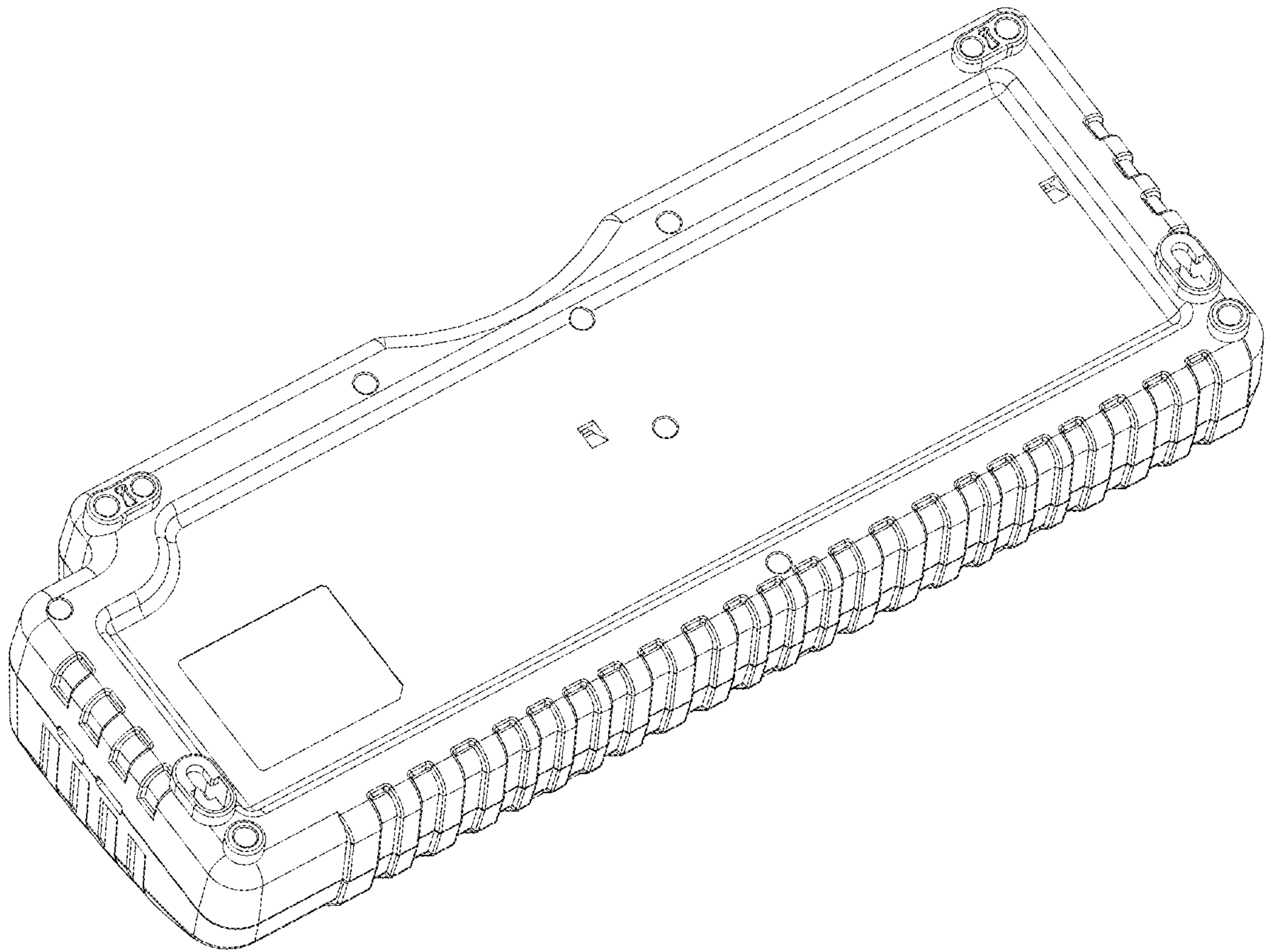


FIG. 10