



US00D957336S

(12) **United States Design Patent**
Hu

(10) **Patent No.:** **US D957,336 S**

(45) **Date of Patent:** **** Jul. 12, 2022**

(54) **TRANSDUCER**

(71) Applicant: **Nan Hu**, Irvine, CA (US)

(72) Inventor: **Nan Hu**, Irvine, CA (US)

(**) Term: **15 Years**

(21) Appl. No.: **29/779,853**

(22) Filed: **Apr. 21, 2021**

(51) **LOC (13) Cl.** **13-02**

(52) **U.S. Cl.**
USPC **D13/110**

(58) **Field of Classification Search**
USPC D13/110, 101, 117, 123, 124, 159, 182,
D13/184, 199; D10/75; D14/217, 222
CPC H01R 13/5812; H01R 13/745; H01R
13/6683; G01R 33/06; G01R 15/20;
G01R 15/202; G01R 15/207; G01R
19/18; G01R 19/20; G01R 19/22; G01R
19/0084; G01R 19/0092; G01R 19/00;
G01R 5/20; G01R 5/22; G01R 5/24;
G01R 5/26

See application file for complete search history.

(56) **References Cited**

U.S. PATENT DOCUMENTS

4,258,348 A * 3/1981 Belfer H01F 38/30
336/217
D348,042 S * 6/1994 Cook D13/101

D387,767 S * 12/1997 Tajima D14/222
D546,275 S * 7/2007 Yonehara D13/101
D578,062 S * 10/2008 Gotoh D13/101
D686,156 S * 7/2013 Ye D13/110
D688,626 S * 8/2013 Ye D13/110
D716,731 S * 11/2014 Johnson D13/118
D751,034 S * 3/2016 Ye D13/110

* cited by examiner

Primary Examiner — Derrick E Holland

(74) *Attorney, Agent, or Firm* — Jianmin Zhou; Law
Offices of James Zhou

(57) **CLAIM**

The ornamental design for a transducer, as shown and
described.

DESCRIPTION

FIG. 1 is a perspective view of a transducer showing my new
design.

FIG. 2 is a front view of a transducer.

FIG. 3 is a rear view of a transducer.

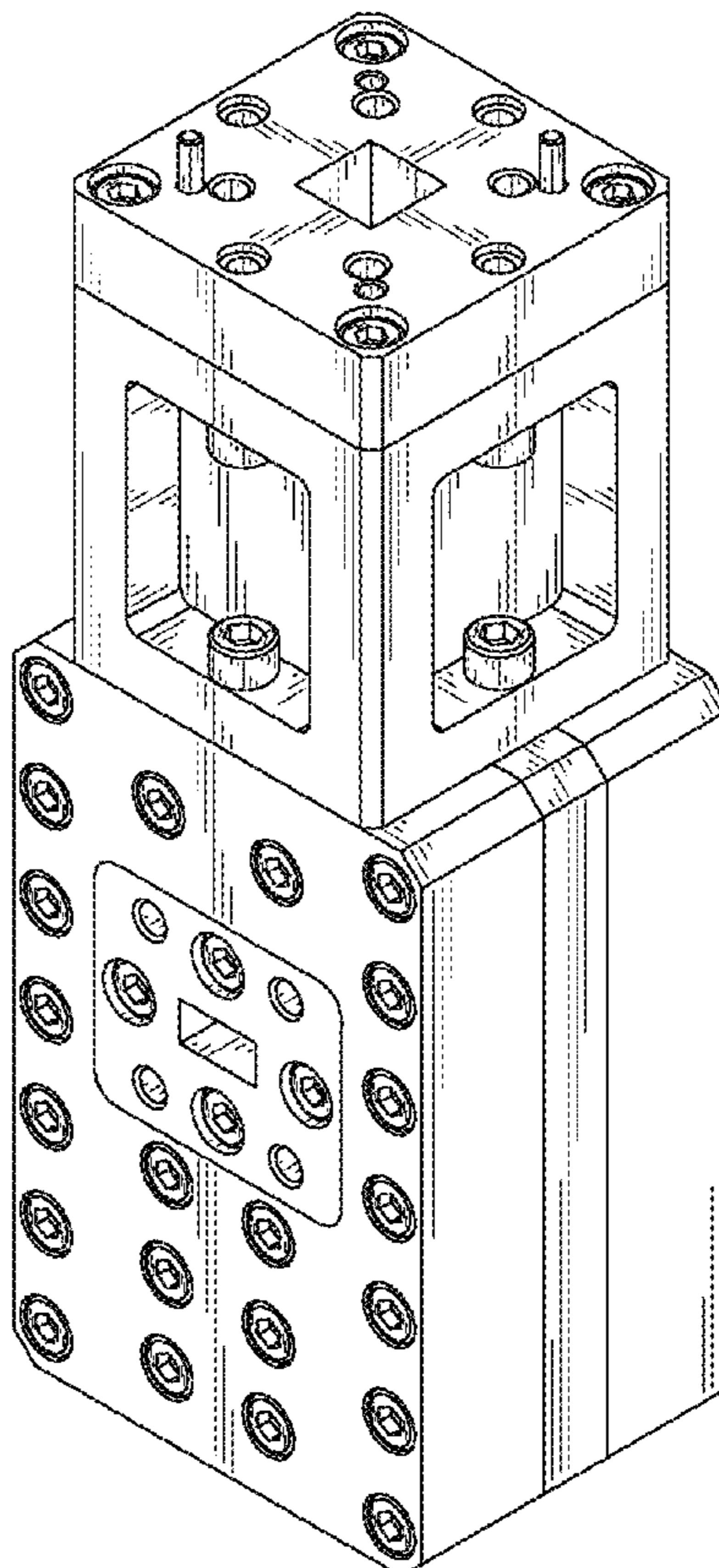
FIG. 4 is a left side view of a transducer.

FIG. 5 is a right side view of a transducer.

FIG. 6 is a top view of a transducer; and,

FIG. 7 is a bottom view of a transducer. Any shading and
cross-hatching are not features of the design but are utilized
to illustrate the surface contours of the transducer design in
the drawings.

1 Claim, 6 Drawing Sheets



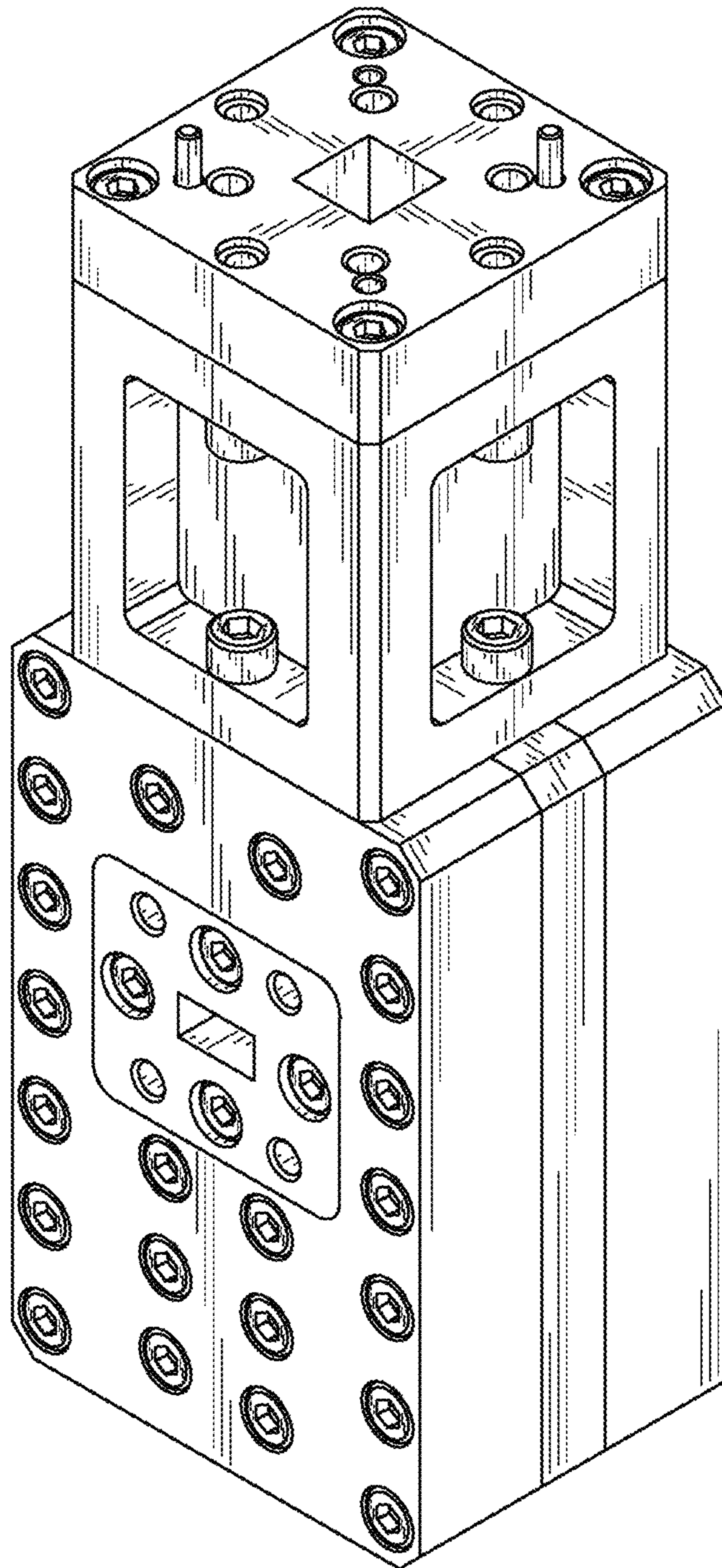


FIG. 1

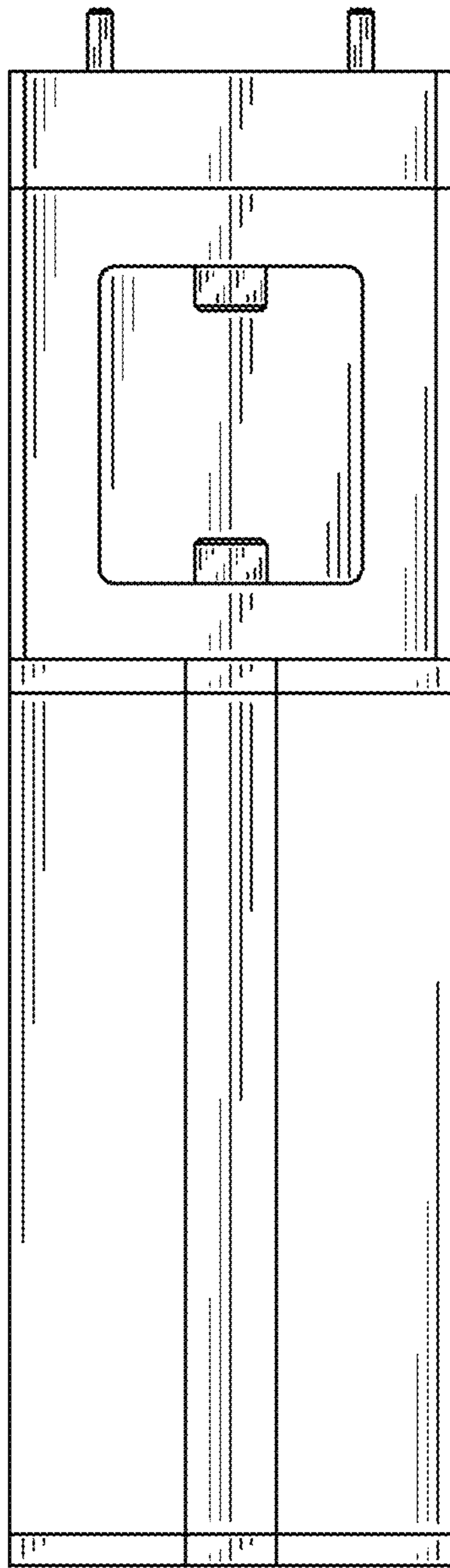


FIG. 2

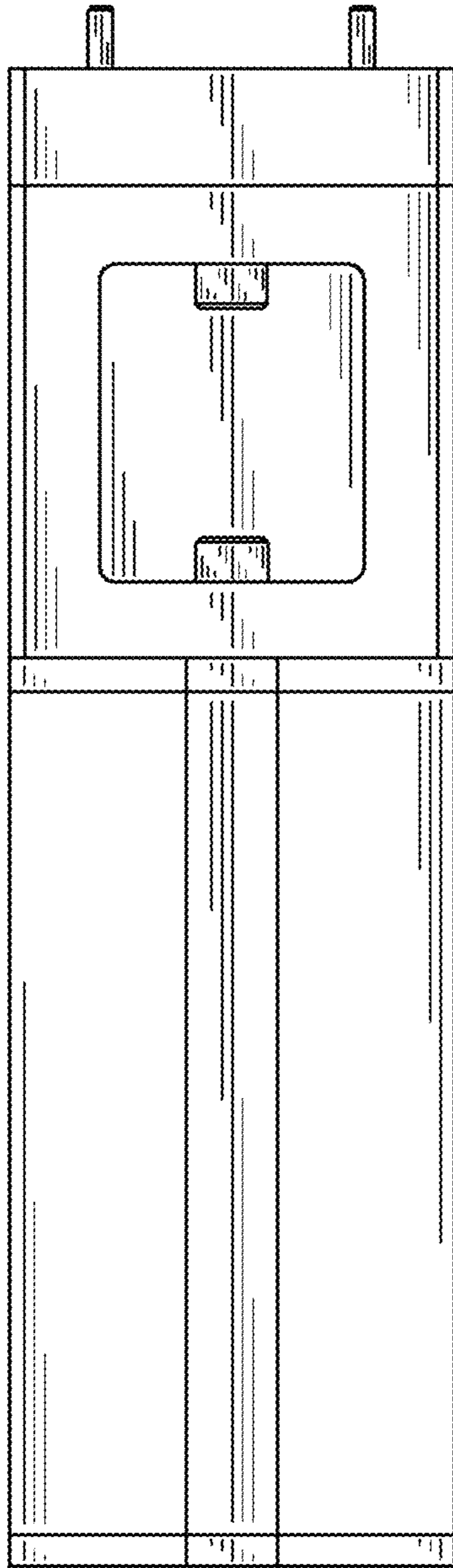


FIG. 3

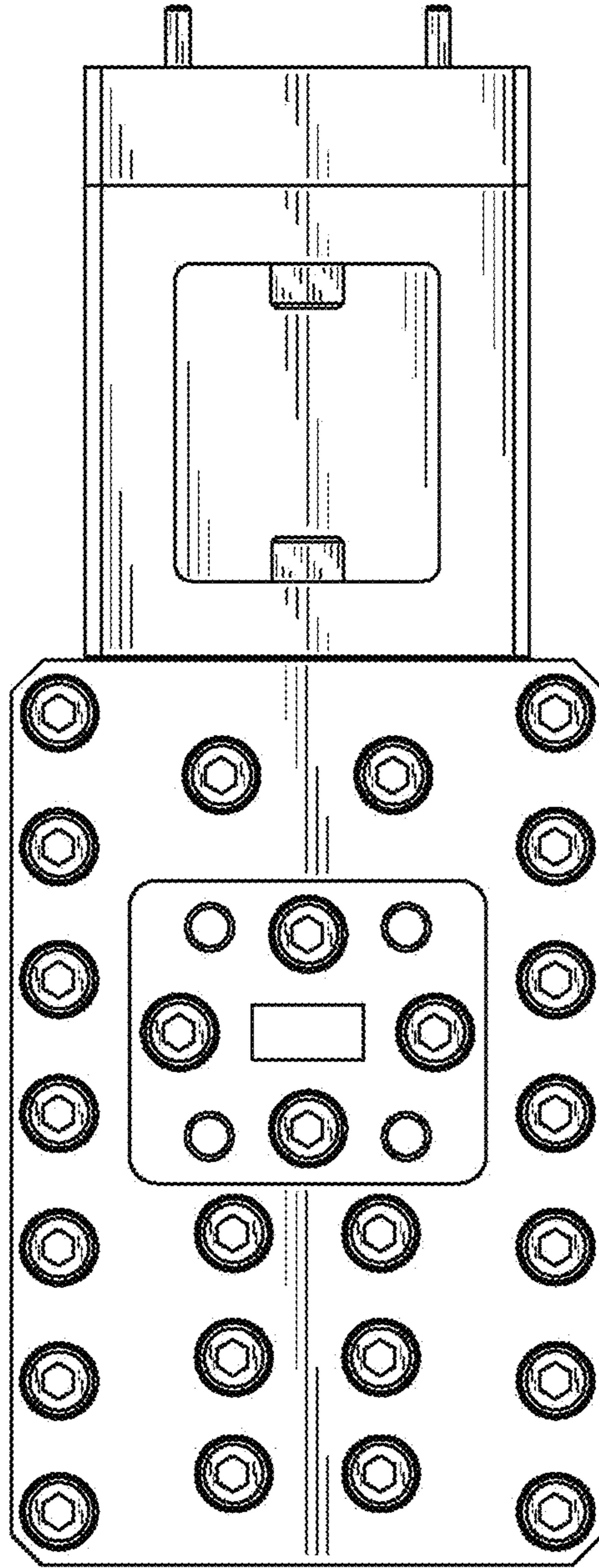


FIG. 4

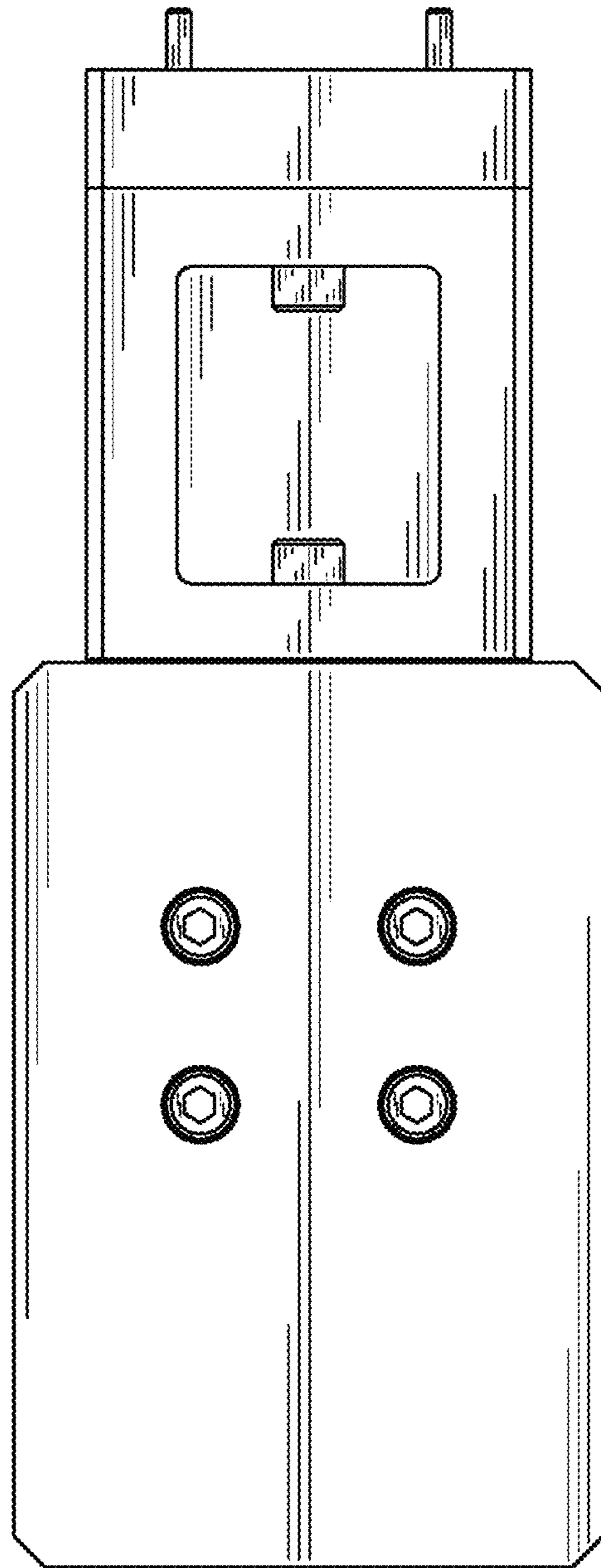


FIG. 5

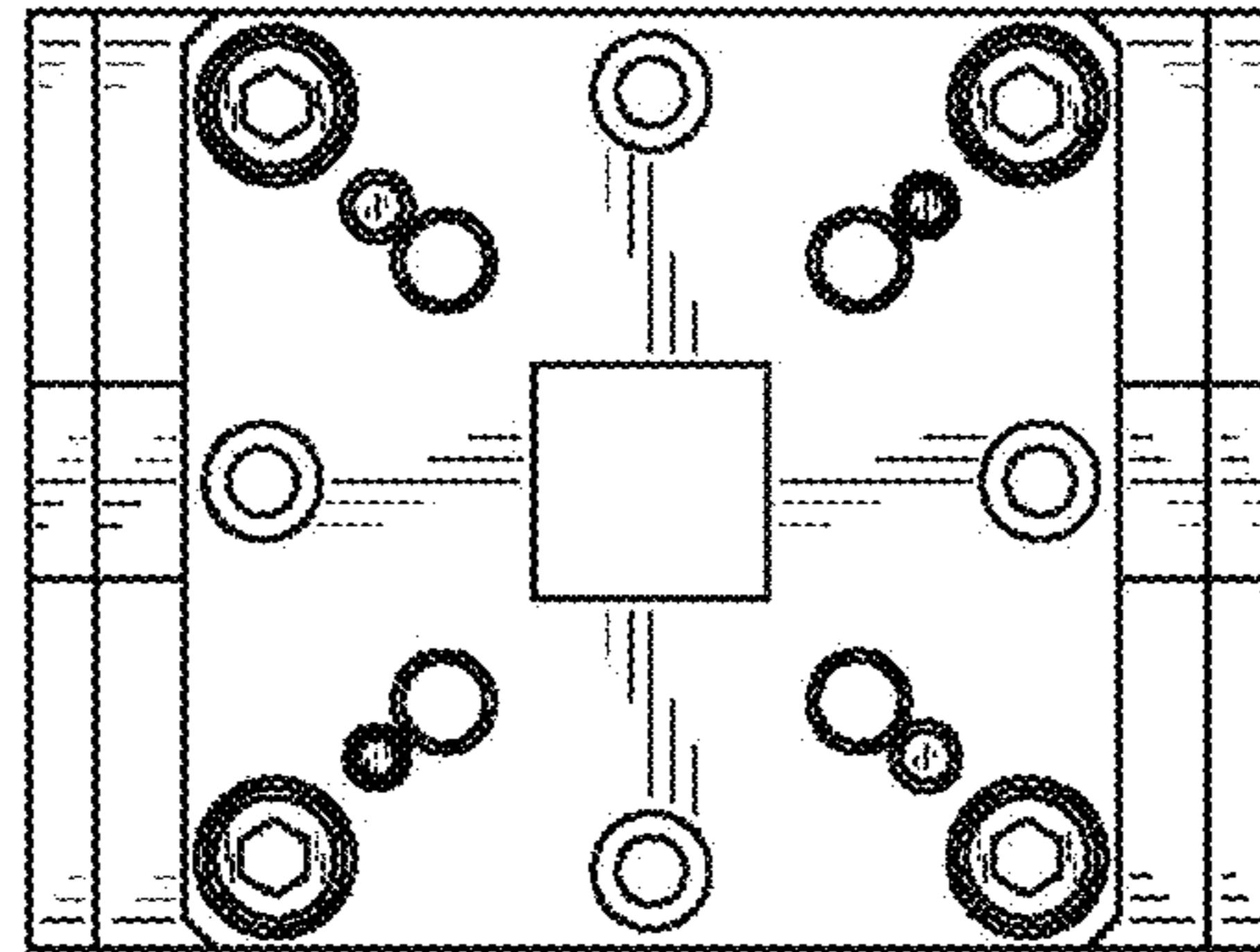


FIG. 6

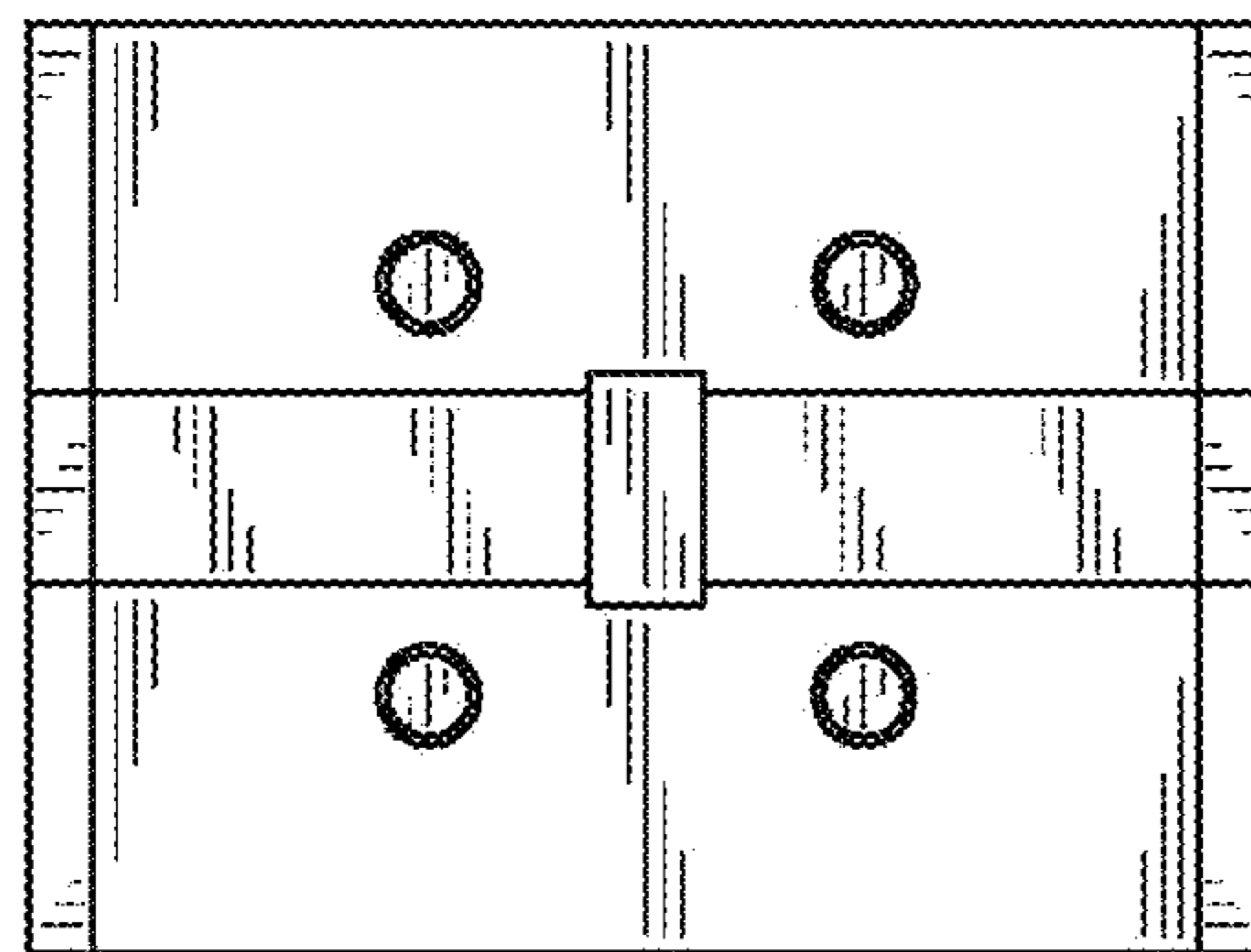


FIG. 7