



US00D957334S

(12) **United States Design Patent** (10) **Patent No.:** **US D957,334 S**
Ling et al. (45) **Date of Patent:** **** Jul. 12, 2022**

(54) **ELECTRICAL CONTROLLER BOX**
(71) Applicant: **Shenzhen Envicool Information Technology Co., Ltd., Shenzhen (CN)**
(72) Inventors: **Bo Ling, Shenzhen (CN); Binchao Pan, Shenzhen (CN)**

D723,472 S * 3/2015 Glisson, Jr. D13/152
D783,529 S * 4/2017 Hoffman D13/110
D839,845 S * 2/2019 Yan D13/162
D840,949 S * 2/2019 Lorentz D13/184
D876,350 S * 2/2020 Lai D13/110
D883,208 S * 5/2020 Dong D13/110
2011/0188254 A1* 8/2011 Burt F21V 15/01
362/365

(73) Assignee: **SHENZHEN ENVICOOOL INFORMATION TECHNOLOGY CO., LTD., Shenzhen (CN)**

FOREIGN PATENT DOCUMENTS

CN 303531501 S 12/2015

* cited by examiner

(**) Term: **15 Years**

Primary Examiner — Derrick E Holland

(21) Appl. No.: **29/774,251**

(74) *Attorney, Agent, or Firm* — Andrew C. Cheng

(22) Filed: **Mar. 15, 2021**

(57) **CLAIM**

(30) **Foreign Application Priority Data**

We claim the ornamental design for an electrical controller box, as shown and described.

Sep. 16, 2020 (CN) 202030549948.9

DESCRIPTION

(51) **LOC (13) Cl.** **13-02**

(52) **U.S. Cl.**
USPC **D13/110; D13/162.1**

(58) **Field of Classification Search**

USPC D13/110, 108, 118, 122, 123, 146, 147,
D13/152, 156, 158, 162, 162.1, 164, 168,
D13/169, 184, 199; D14/432, 438
CPC H05K 5/00; H05K 5/02; H05K 5/0247;
H05K 7/00; H05K 7/20; H05K 7/20136;
H05K 7/20154; H05K 7/209; H02M 7/00;
H02M 7/003; H02J 7/0042
See application file for complete search history.

FIG. 1 is a front, top and right perspective view of an electrical controller box showing our new design;
FIG. 2 is a rear, bottom and left perspective view of the electrical controller box of FIG. 1;
FIG. 3 is a front elevational view of the electrical controller box of FIG. 1;
FIG. 4 is a rear elevational view of the electrical controller box of FIG. 1;
FIG. 5 is a left side view of the electrical controller box of FIG. 1;
FIG. 6 is a right side view of the electrical controller box of FIG. 1;
FIG. 7 is a top plan view of the electrical controller box of FIG. 1; and,
FIG. 8 is a bottom plan view of the electrical controller box of FIG. 1.

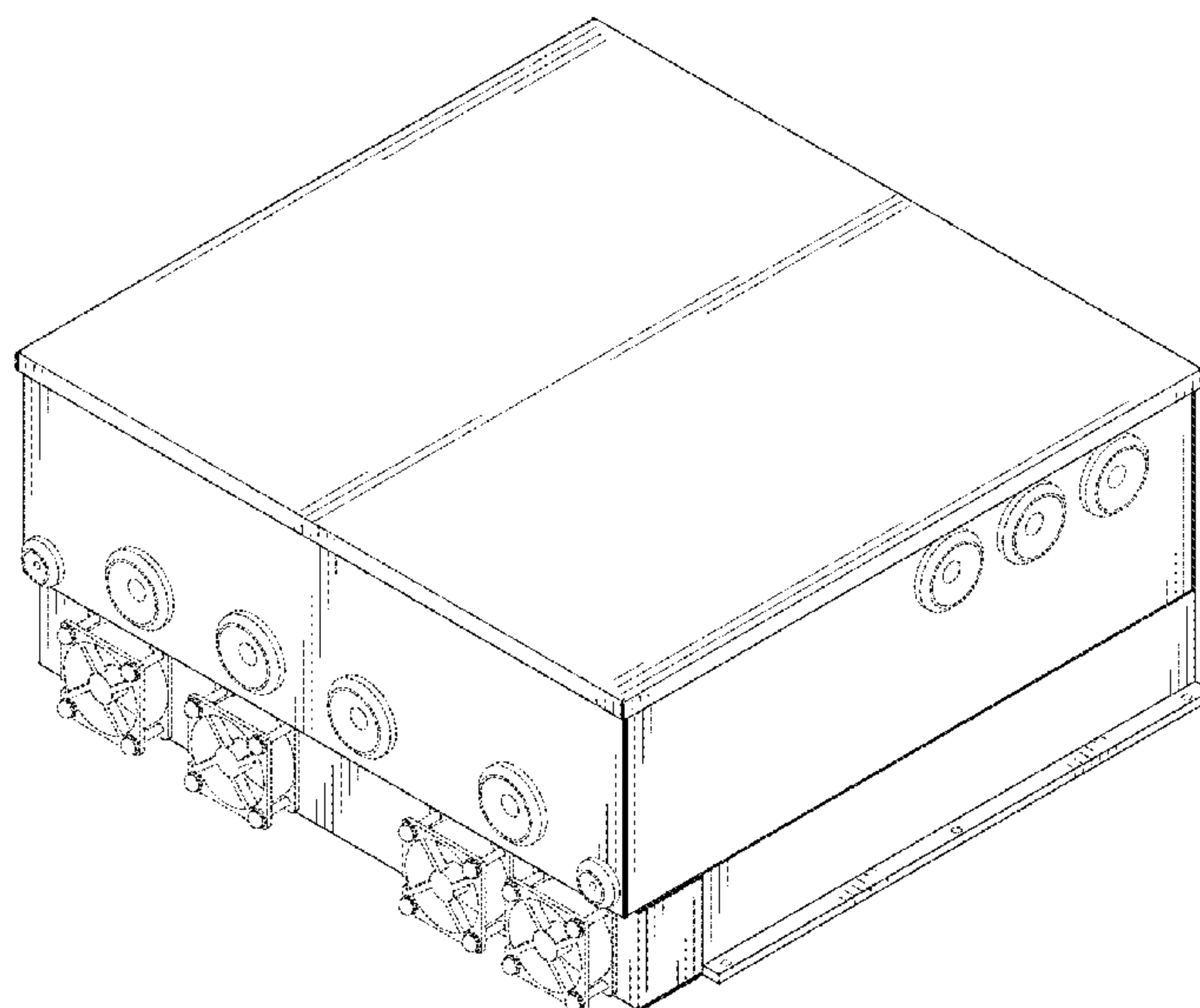
The broken lines shown represent the portions of the electrical controller box that form no part of the claimed design.

(56) **References Cited**

U.S. PATENT DOCUMENTS

D282,461 S * 2/1986 Shimizu D13/162.1
D298,747 S * 11/1988 Shibayama D13/162.1
D405,766 S * 2/1999 Hartel D13/184
D490,051 S * 5/2004 Kikumoto D13/102
D679,258 S * 4/2013 Moore D13/184

1 Claim, 6 Drawing Sheets



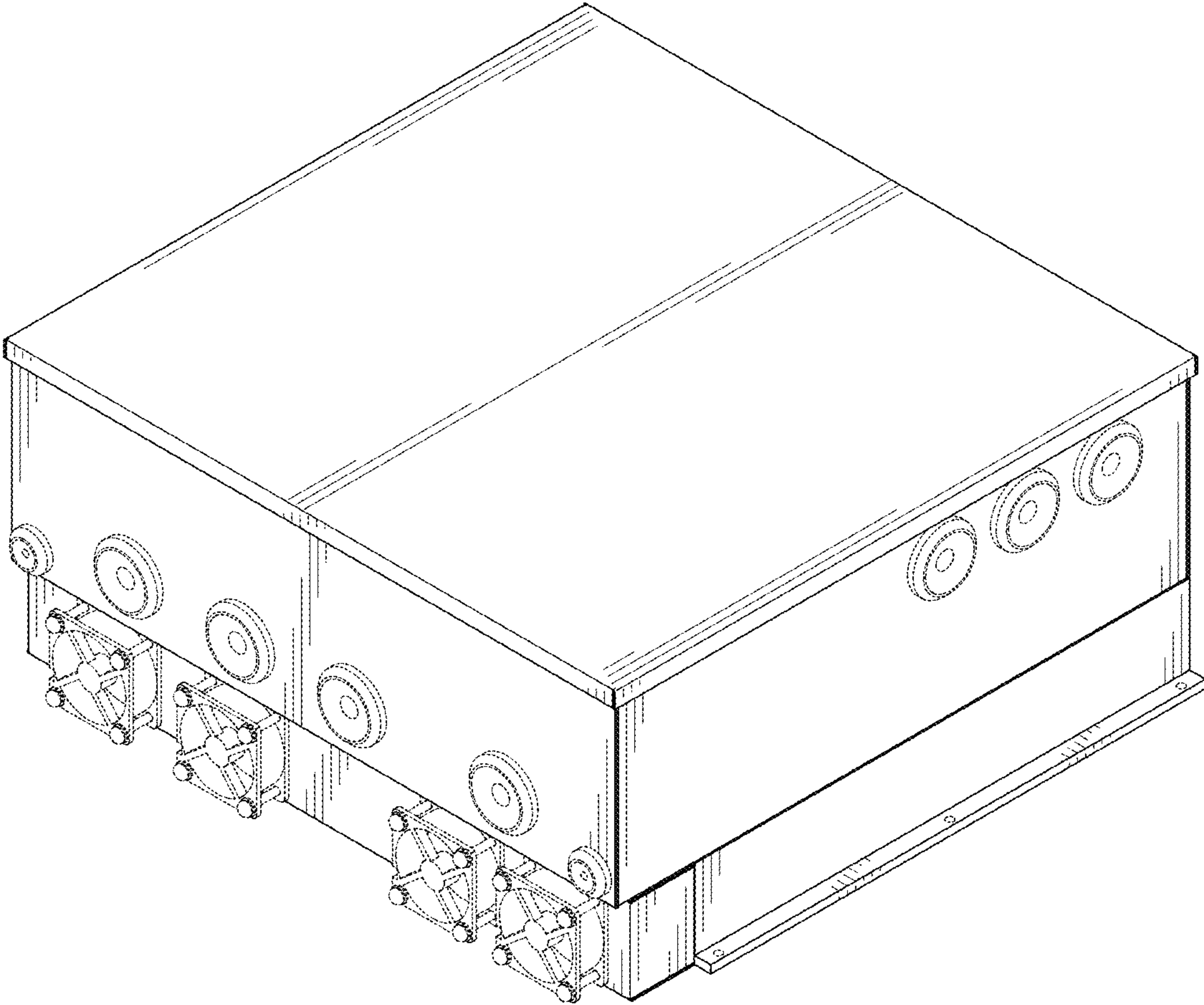


FIG. 1

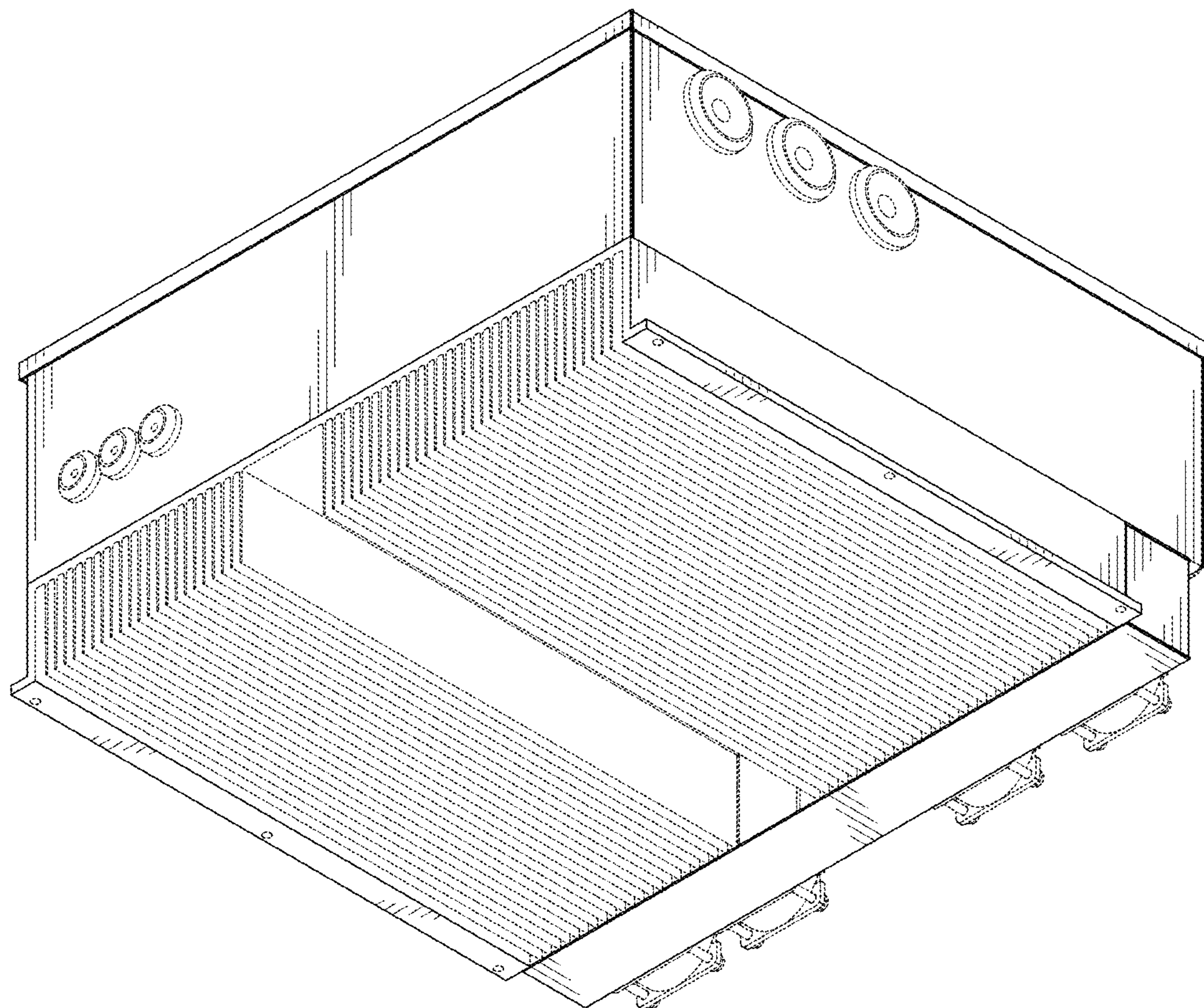


FIG. 2

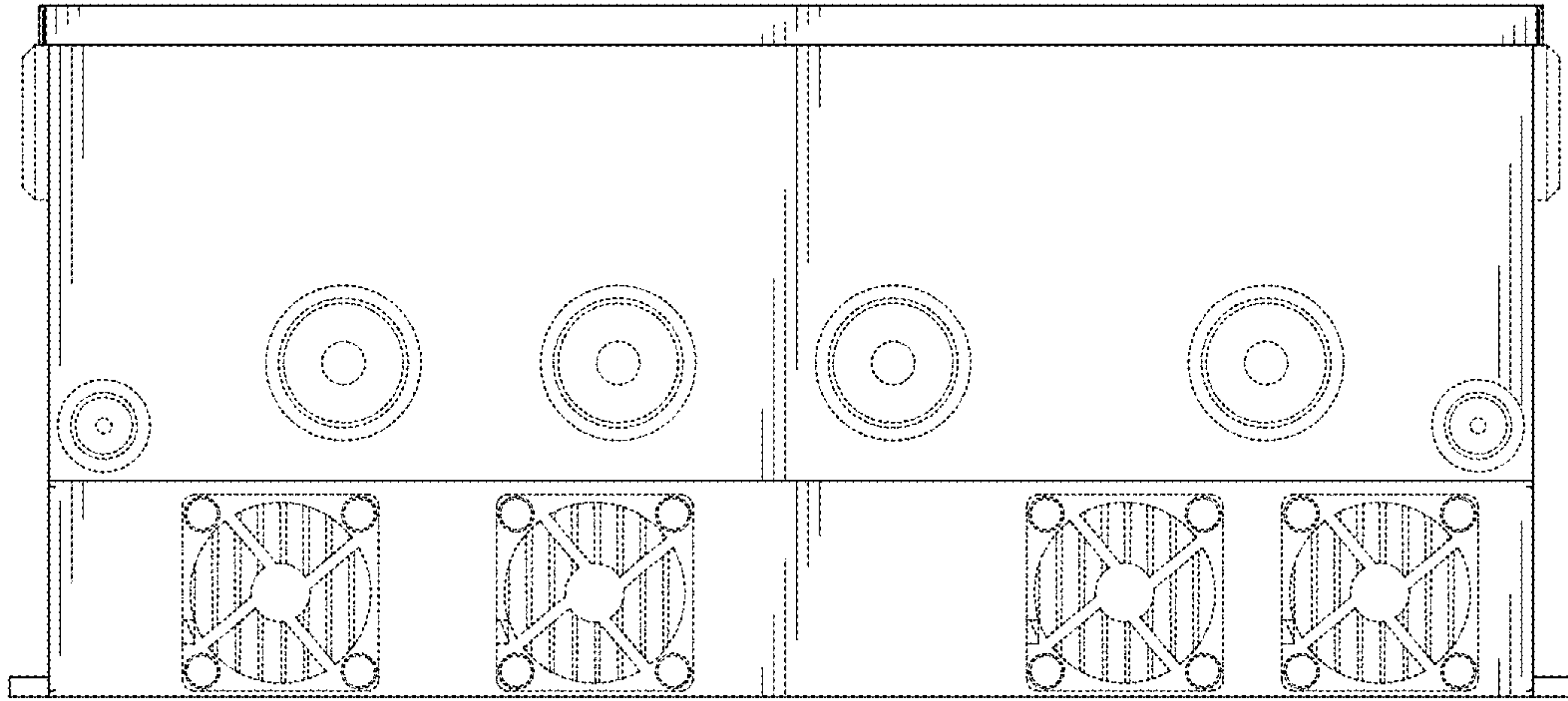


FIG. 3

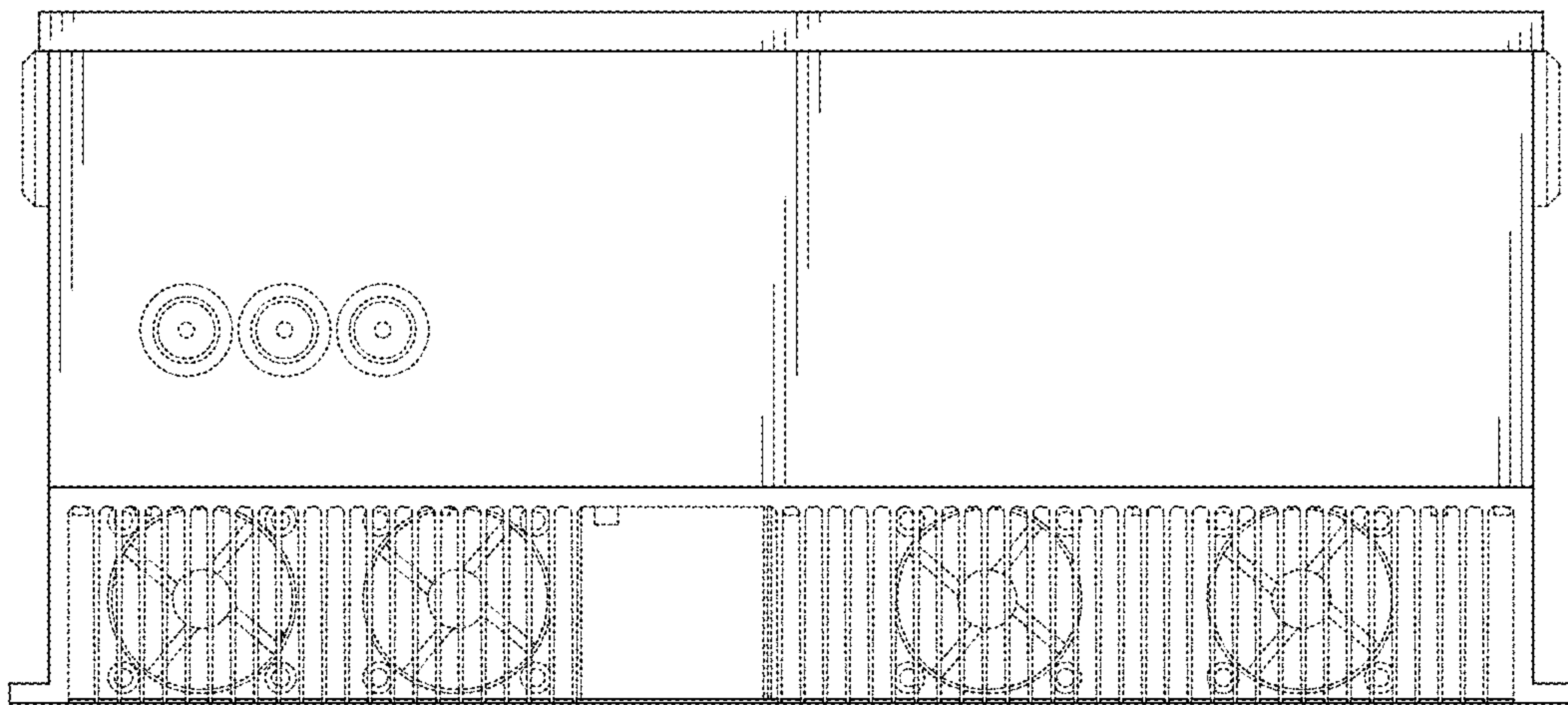


FIG. 4

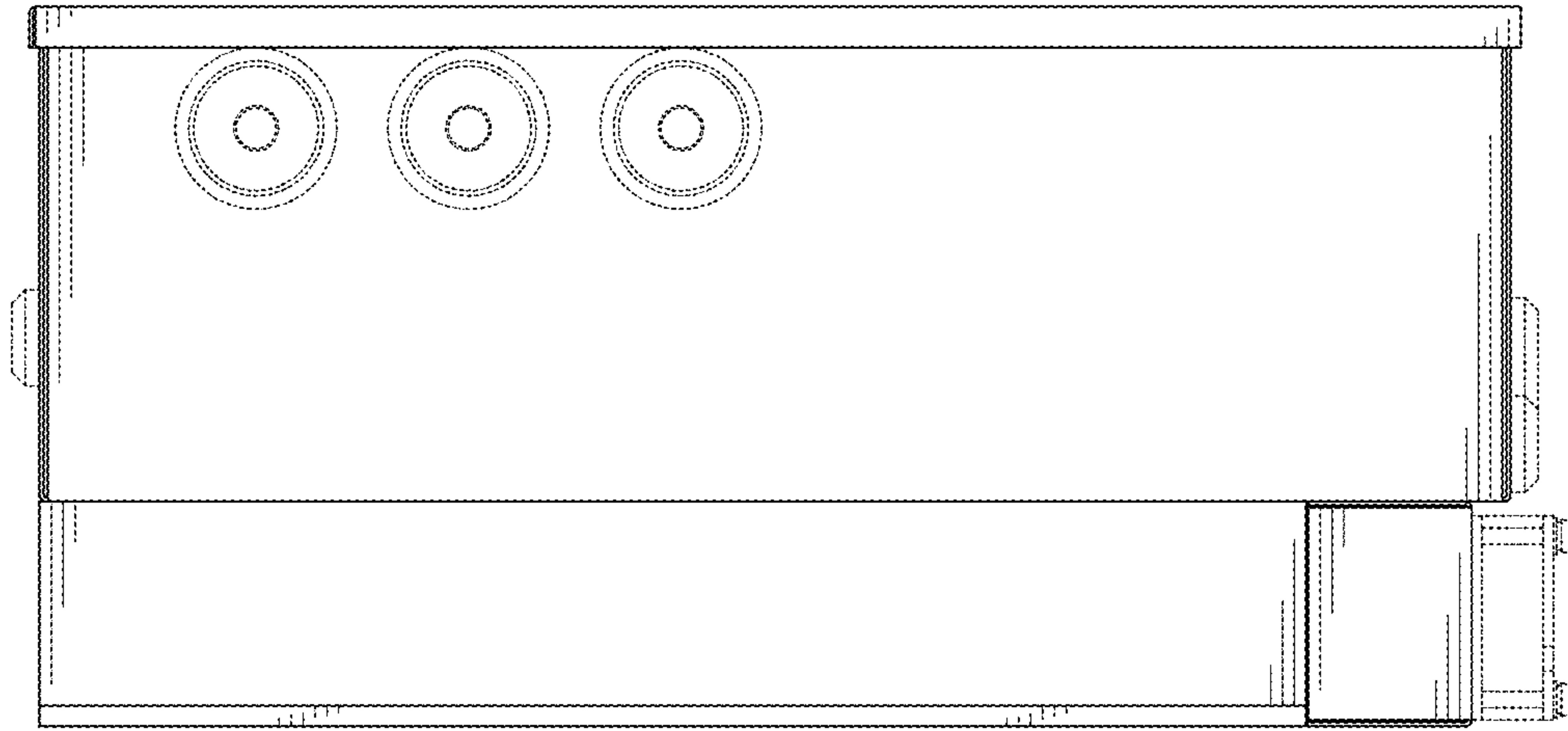


FIG. 5

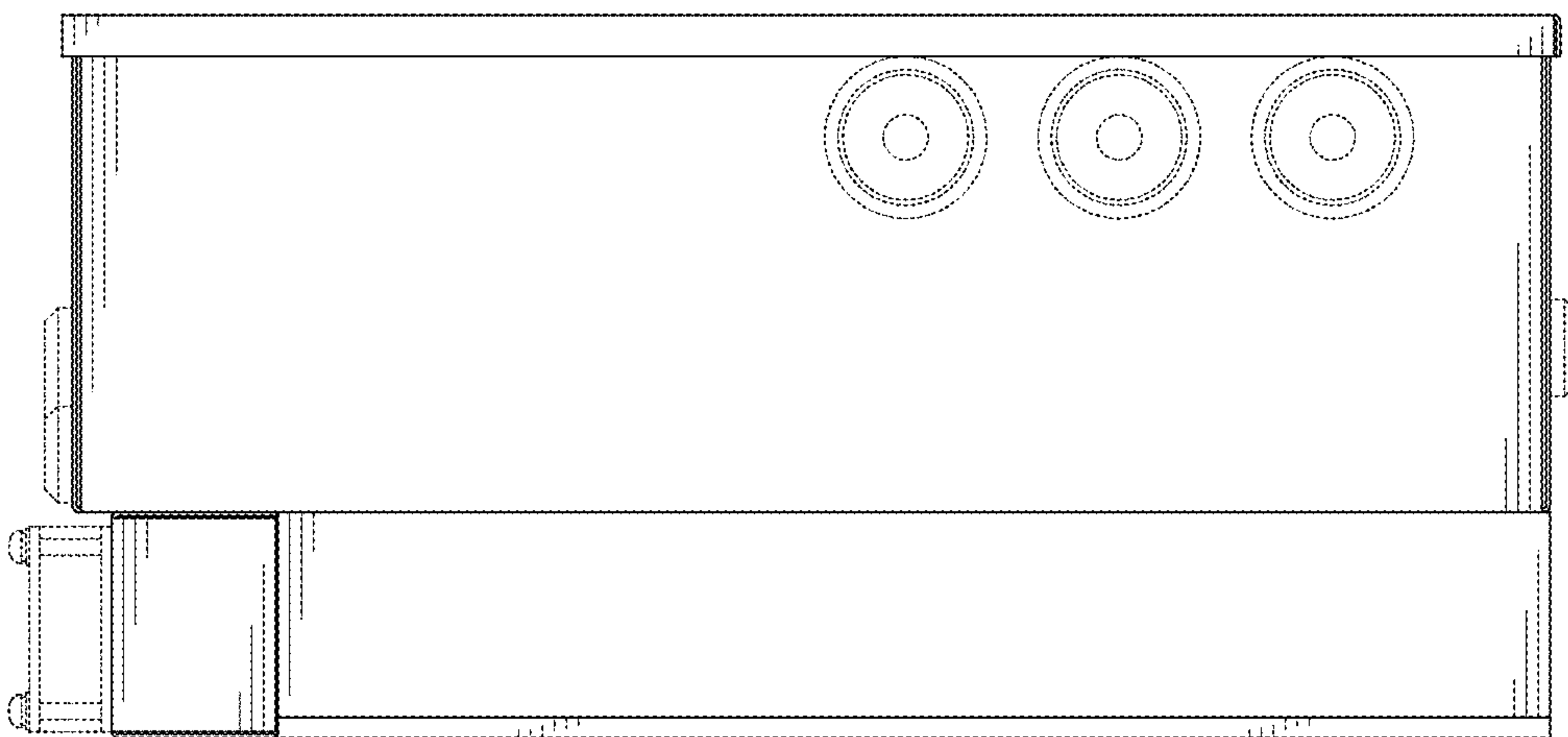


FIG. 6

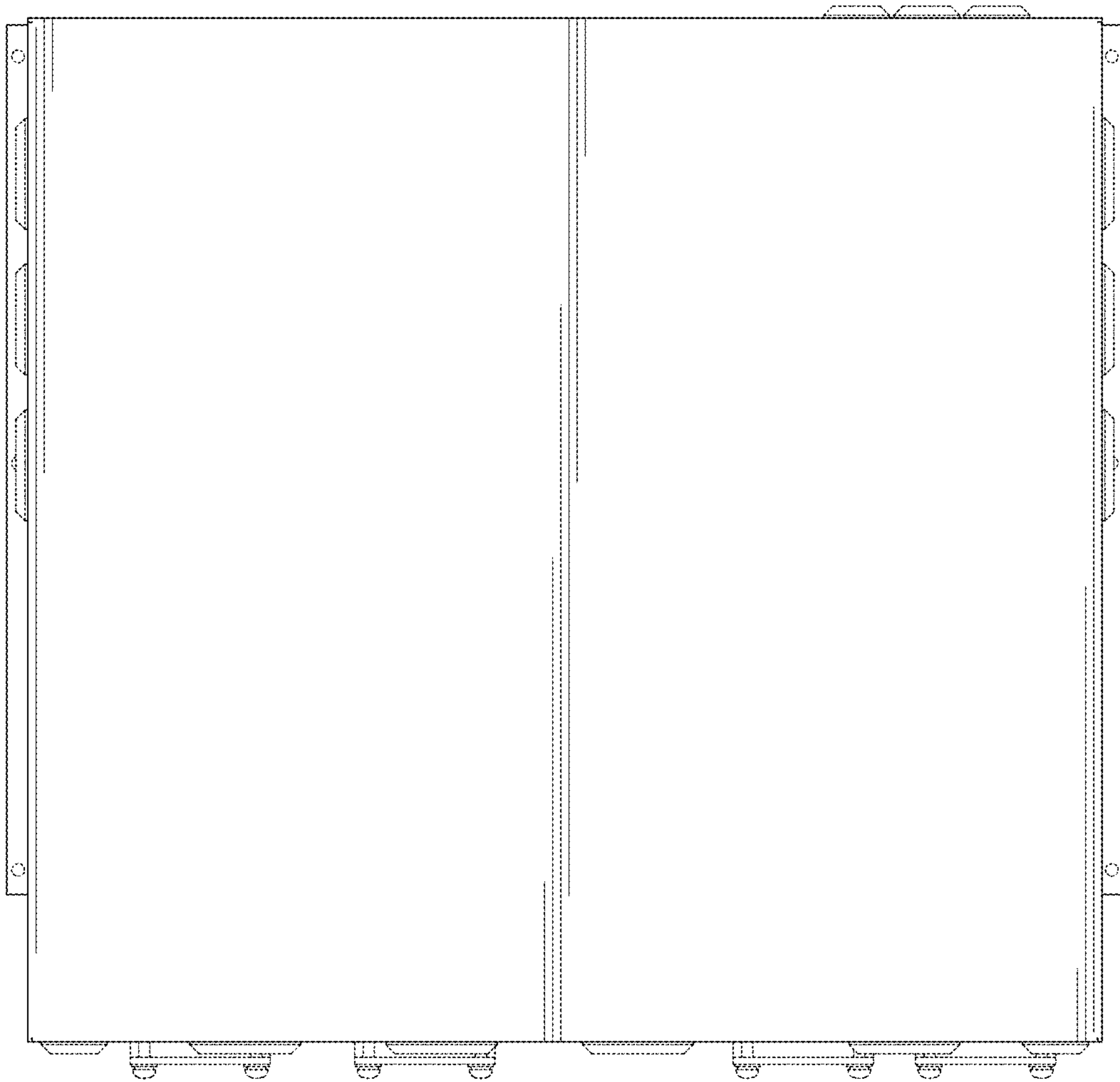


FIG. 7

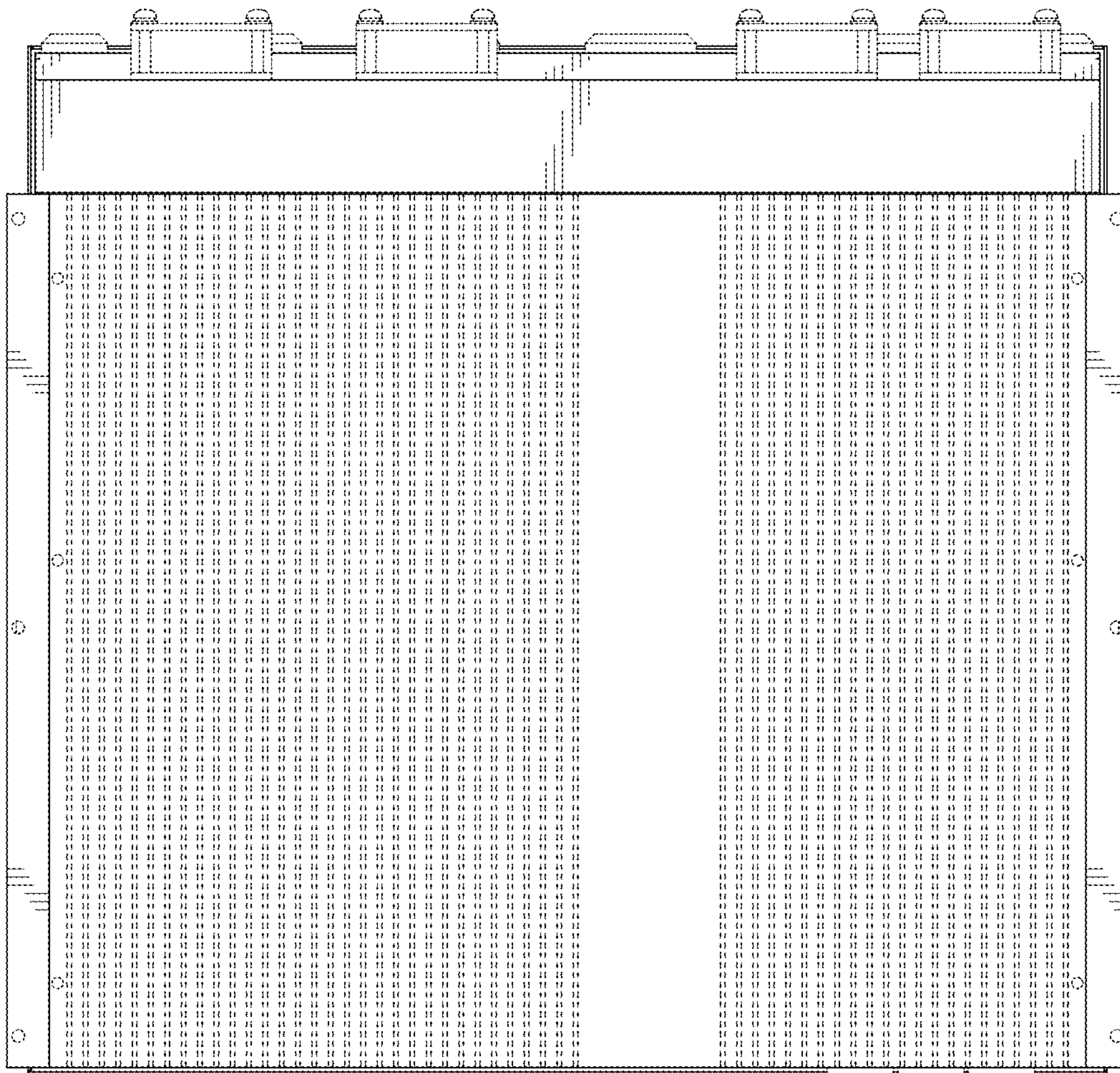


FIG. 8