



US00D957332S

(12) **United States Design Patent**  
**Fulk et al.**

(10) **Patent No.:** **US D957,332 S**

(45) **Date of Patent:** **\*\* Jul. 12, 2022**

(54) **ELECTRIC TRANSMISSION TOWER WITH  
DOUBLE CROSS ARM**

(71) Applicant: **BOLD Transmission LLC**, Columbus,  
OH (US)

(72) Inventors: **Meihuan Zhu Fulk**, Lewis Center, OH  
(US); **David E Rupert**, Columbus, OH  
(US)

(73) Assignee: **American Electric Power Company,  
Inc.**, Columbus, OH (US)

(\*\*) Term: **15 Years**

(21) Appl. No.: **29/696,746**

(22) Filed: **Jul. 1, 2019**

(51) **LOC (13) Cl.** ..... **13-02**

(52) **U.S. Cl.**  
USPC ..... **D13/110**

(58) **Field of Classification Search**  
USPC ..... D25/125, 126, 127, 128, 129, 130, 131,  
D25/132, 133, 134, 135, 136; D21/333,  
D21/373, 389, 404, 468, 470, 471, 475,  
D21/484-505; D13/110, 101, 102, 118,  
D13/123, 124, 184, 199; D8/356  
CPC ..... E04B 9/068; E04B 1/19; E04B 1/1903;  
E04B 1/24; E04B 1/2403; E04B 1/40;  
E04B 2001/2415; E04B 2001/2421  
See application file for complete search history.

(56) **References Cited**

**U.S. PATENT DOCUMENTS**

D211,089 S \* 5/1968 Dreyfuss ..... D25/127  
D688,624 S \* 8/2013 Fulk ..... D13/110

D853,590 S \* 7/2019 Fulk ..... D25/127  
D853,591 S \* 7/2019 Fulk ..... D25/127  
D853,592 S \* 7/2019 Fulk ..... D25/127  
D853,593 S \* 7/2019 Momme ..... D25/127  
D853,594 S \* 7/2019 Momme ..... D25/127  
D853,595 S \* 7/2019 Momme ..... D25/127  
D853,596 S \* 7/2019 Pauley ..... D25/127  
D853,597 S \* 7/2019 Fulk ..... D25/127  
D853,598 S \* 7/2019 Fulk ..... D25/127  
D853,599 S \* 7/2019 Fulk ..... D25/127  
D853,600 S \* 7/2019 Pauley ..... D25/127

\* cited by examiner

*Primary Examiner* — Samantha Q Lawrence  
(74) *Attorney, Agent, or Firm* — Julie E. Sanders;  
Anthony J. Swaneck

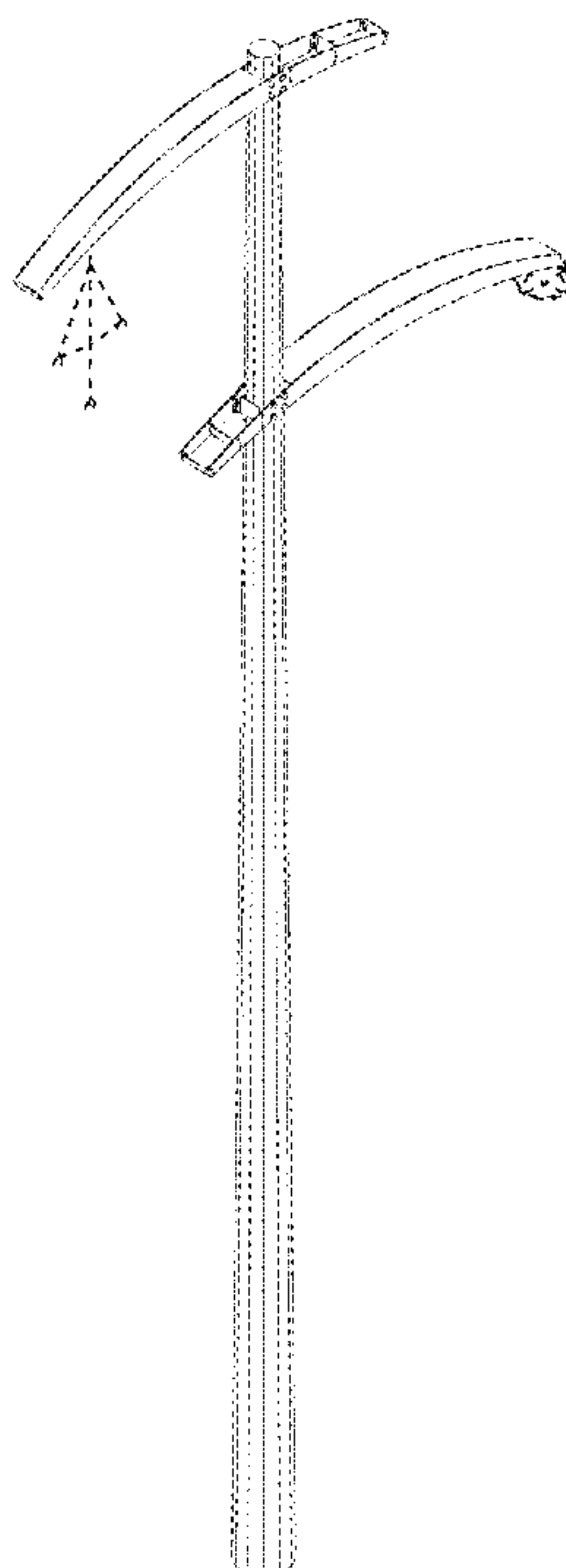
(57) **CLAIM**

The ornamental design for a electric transmission tower with  
double cross arm, as shown and described.

**DESCRIPTION**

FIG. 1 is a perspective view of our new electric transmission  
tower with double cross arm;  
FIG. 2 is a front elevational view thereof, the rear elevational  
view being a mirror image;  
FIG. 3 is a right side elevational view thereof;  
FIG. 4 is a top plan view thereof; and,  
FIG. 5 is a bottom plan view thereof.  
The portions illustrated by broken lines relate to environ-  
mental structure that does not form part of the claimed  
design.

**1 Claim, 3 Drawing Sheets**



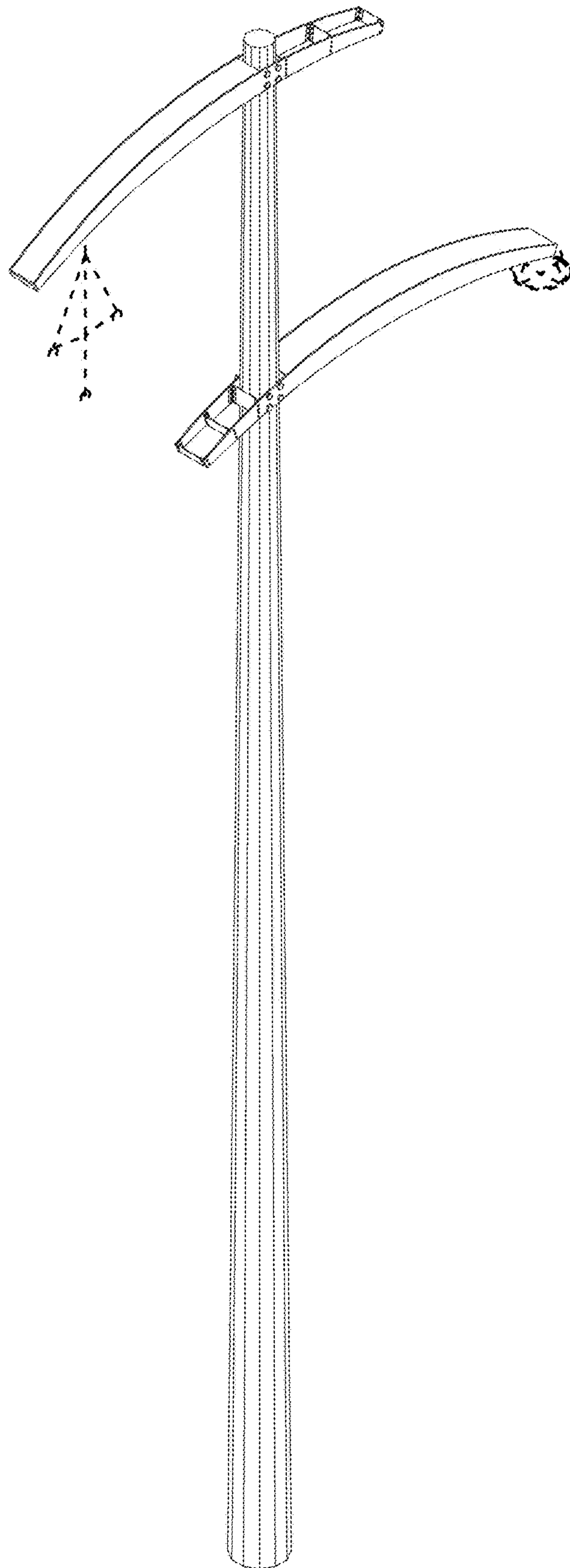


FIG - 1

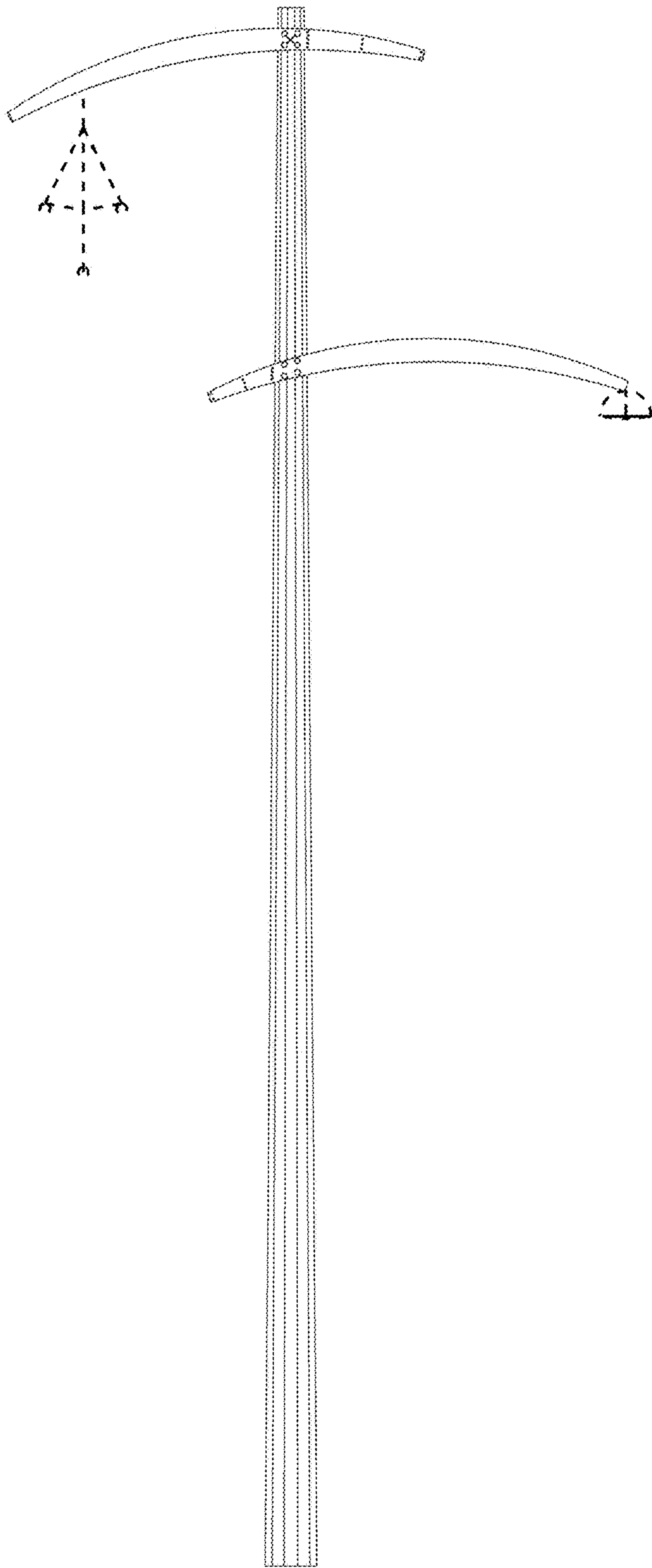


FIG - 2

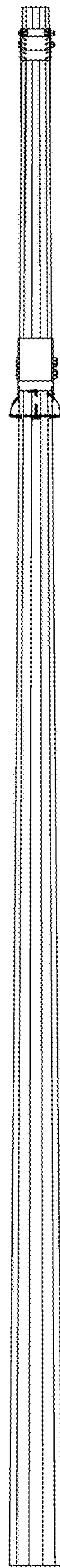


FIG - 3

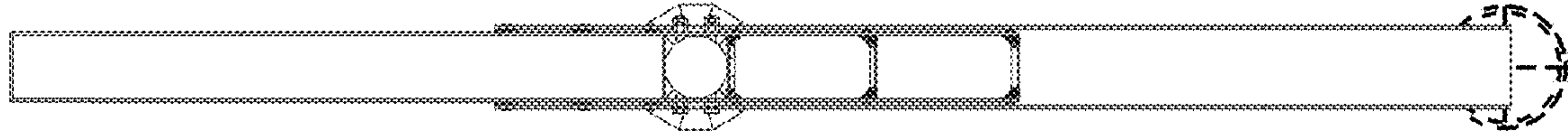


FIG - 4

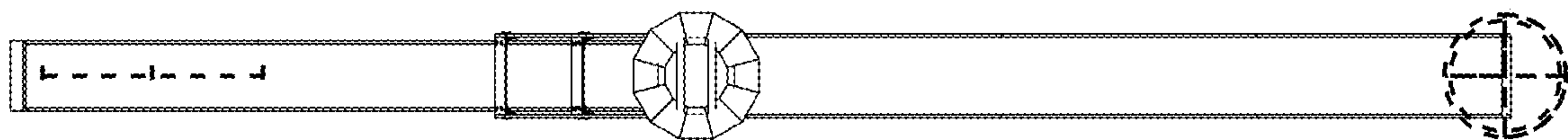


FIG - 5