

US00D957331S

(12) **United States Design Patent** (10) **Patent No.:** **US D957,331 S**  
**Fulk et al.** (45) **Date of Patent:** **\*\* Jul. 12, 2022**

- (54) **ELECTRIC TRANSMISSION TOWER WITH SINGLE CROSS ARM**
- (71) Applicant: **BOLD Transmission LLC**, Columbus, OH (US)
- (72) Inventors: **Meihuan Zhu Fulk**, Lewis Center, OH (US); **David E Rupert**, Columbus, OH (US)
- (73) Assignee: **American Electric Power Company, Inc.**, Columbus, OH (US)
- (\*\*) Term: **15 Years**
- (21) Appl. No.: **29/696,744**
- (22) Filed: **Jul. 1, 2019**
- (51) **LOC (13) Cl.** ..... **13-02**
- (52) **U.S. Cl.**  
USPC ..... **D13/110**
- (58) **Field of Classification Search**  
USPC ..... D25/125, 126, 127, 128, 129, 130, 131, D25/132, 133, 134, 135, 136; D21/333, D21/373, 389, 404, 468, 470, 471, 475, D21/484-505; D13/110, 101, 102, 118, D13/123, 124, 184, 199; D8/356  
CPC ..... E04B 9/068; E04B 1/19; E04B 1/1903; E04B 1/24; E04B 1/2403; E04B 1/40; E04B 2001/2415; E04B 2001/2421  
See application file for complete search history.

- (56) **References Cited**  
U.S. PATENT DOCUMENTS  
D211,089 S \* 5/1968 Dreyfuss ..... D25/127  
D688,624 S \* 8/2013 Fulk ..... D13/110

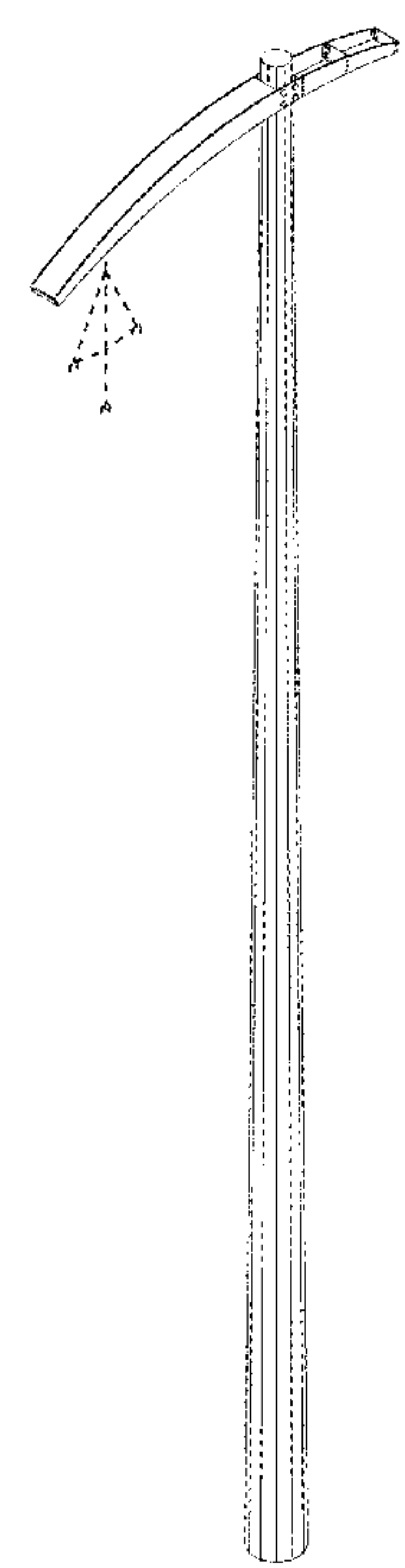
D853,590 S *	7/2019	Fulk	.....	D25/127
D853,591 S *	7/2019	Fulk	.....	D25/127
D853,592 S *	7/2019	Fulk	.....	D25/127
D853,593 S *	7/2019	Momme	.....	D25/127
D853,594 S *	7/2019	Momme	.....	D25/127
D853,595 S *	7/2019	Momme	.....	D25/127
D853,596 S *	7/2019	Pauley	.....	D25/127
D853,597 S *	7/2019	Fulk	.....	D25/127
D853,598 S *	7/2019	Fulk	.....	D25/127
D853,599 S *	7/2019	Fulk	.....	D25/127
D853,600 S *	7/2019	Pauley	.....	D25/127

\* cited by examiner  
  
*Primary Examiner* — Samantha Q Lawrence  
 (74) *Attorney, Agent, or Firm* — Julie E. Sanders; Anthony J. Swaneck

(57) **CLAIM**  
  
 The ornamental design for a electric transmission tower with single cross arm, as shown and described.

**DESCRIPTION**  
  
 FIG. 1 is a perspective view of our new electric transmission tower with single cross arm;  
 FIG. 2 is a front elevational view thereof, the rear elevational view being a mirror image;  
 FIG. 3 is a right side elevational view thereof;  
 FIG. 4 is a top plan view thereof; and,  
 FIG. 5 is a bottom plan view thereof.  
 The portions illustrated by broken lines relate to environmental structure that does not form part of the claimed design.

**1 Claim, 3 Drawing Sheets**



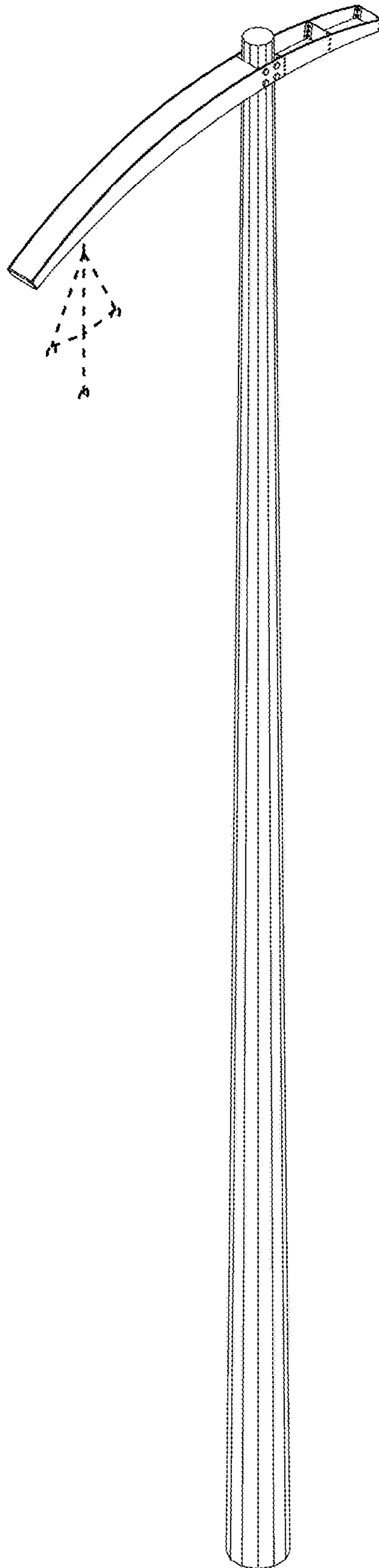


FIG - 1

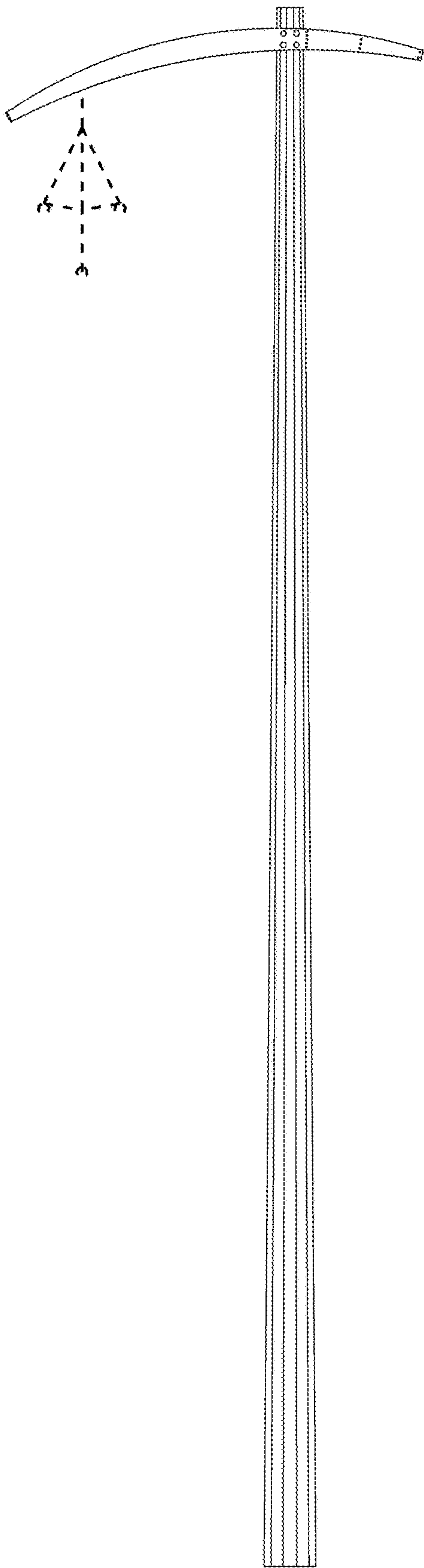


FIG - 2

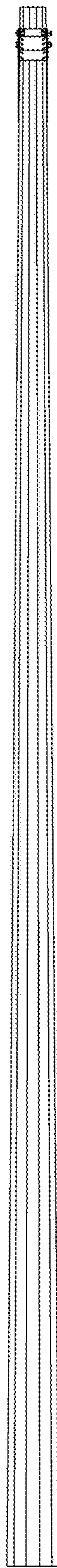


FIG - 3

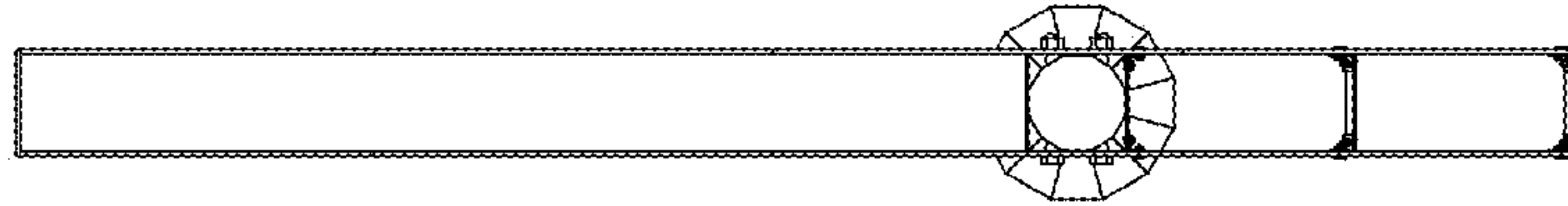


FIG - 4

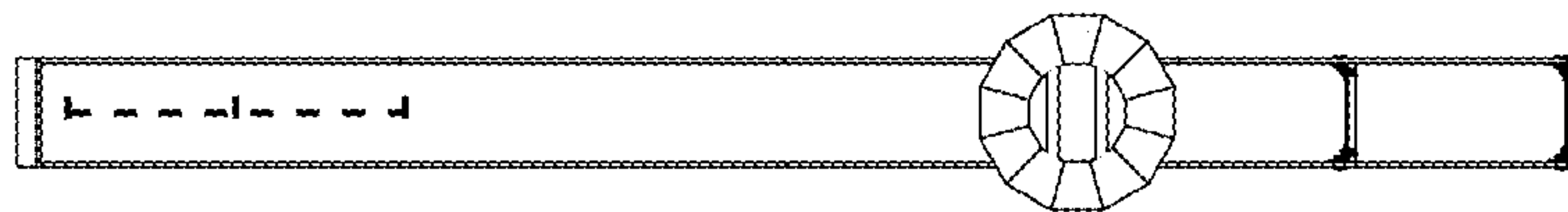


FIG - 5