



US00D957330S

(12) **United States Design Patent** (10) **Patent No.:** **US D957,330 S**  
**Kong et al.** (45) **Date of Patent:** **\*\* Jul. 12, 2022**

(54) **COMBINED DISPLAY AND CHARGING PAD**

(56) **References Cited**

(71) Applicant: **Intel Corporation**, Santa Clara, CA  
(US)

U.S. PATENT DOCUMENTS

(72) Inventors: **Duck Young Kong**, Beaverton, OR  
(US); **Randall W. Martin**, Conroe, TX  
(US)

D358,376 S *	5/1995	Poon .....	D14/315
D527,383 S *	8/2006	Chen .....	D14/375
D529,501 S *	10/2006	Chen .....	D14/375
D568,238 S	5/2008	Sharma et al.	
D599,736 S	9/2009	Ferber et al.	
D617,265 S	6/2010	Sasada et al.	
D631,043 S *	1/2011	Kell .....	D14/341
D636,724 S	4/2011	Nomi et al.	
D674,793 S *	1/2013	Chen .....	D14/315
D690,647 S	10/2013	Huang et al.	

(73) Assignee: **Intel Corporation**, Santa Clara, CA  
(US)

(Continued)

(\*\*) Term: **15 Years**

(21) Appl. No.: **29/799,795**

OTHER PUBLICATIONS

(22) Filed: **Jul. 16, 2021**

“U.S. Appl. No. 29/589,159, Notice of Allowance dated Aug. 14, 2018”, 7 pgs.

(Continued)

**Related U.S. Application Data**

(62) Division of application No. 29/670,031, filed on Nov. 13, 2018, now Pat. No. Des. 928,083, which is a division of application No. 29/589,159, filed on Dec. 28, 2016, now Pat. No. Des. 837,146.

*Primary Examiner* — Nathaniel D. Buckner

(74) *Attorney, Agent, or Firm* — Schwegman Lundberg & Woessner, P.A.

(51) **LOC (13) Cl.** ..... **13-02**

(57) **CLAIM**

The ornamental design for a combined display and charging pad, as shown and described.

(52) **U.S. Cl.**

**DESCRIPTION**

USPC ..... **D13/108**; D14/375

(58) **Field of Classification Search**

USPC ..... D13/107–110, 118–119, 184; D14/251, D14/253, 432, 434, 371–382

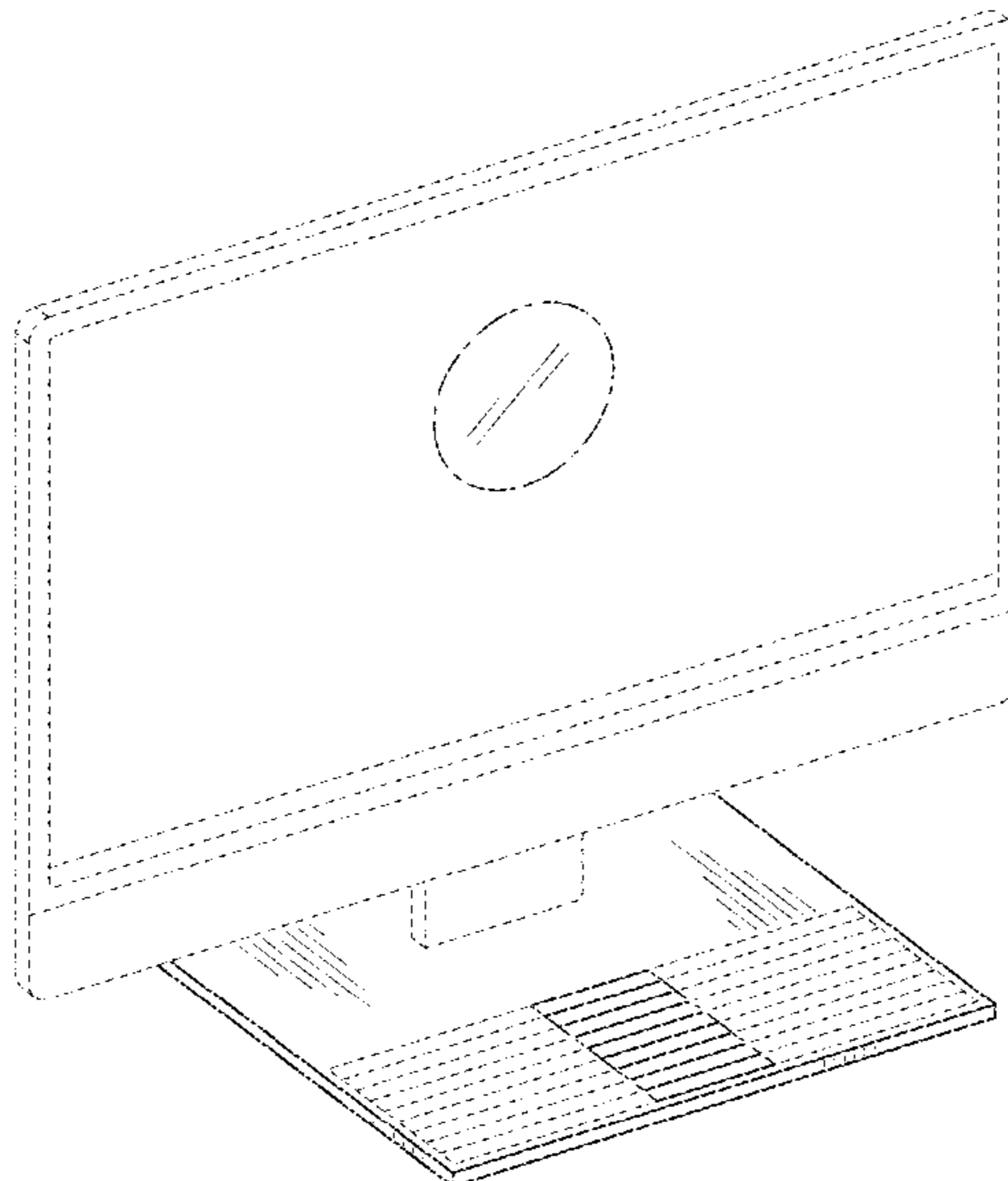
CPC ..... Y02E 60/12; Y02T 90/14; Y02T 90/122; Y02T 90/128; Y02T 90/163; H02J 7/025; H02J 7/0042; H02J 7/0044; H02J 7/0045; H02J 7/0013; H02J 7/0003; H01F 38/14; H01R 13/6675; H01M 2/1022; H01M 2/1055; H01M 10/44; H01M 10/46; H01M 10/425; B60L 11/182

FIG. 1 is a top-front-left-perspective view of the combined display and charging pad, showing our new design; FIG. 2 is a front view thereof; FIG. 3 is a back view thereof; FIG. 4 is a right-side view thereof; FIG. 5 is a left-side view thereof; FIG. 6 is a top view thereof; and, FIG. 7 is a bottom view thereof.

The irregularly dashed broken lines depict the bounds of the claimed design and form no part thereof. The regularly dashed broken lines depict portions of the combined display and charging pad that form no part of the claimed design.

See application file for complete search history.

**1 Claim, 4 Drawing Sheets**



(56)

**References Cited**

U.S. PATENT DOCUMENTS

D691,995 S \* 10/2013 Adamson ..... D14/318  
 D694,232 S \* 11/2013 Adamson ..... D14/318  
 D698,350 S \* 1/2014 Adamson ..... D14/318  
 D698,778 S \* 2/2014 Adamson ..... D14/318  
 D708,229 S 7/2014 Onoue et al.  
 D708,570 S 7/2014 Martin  
 D729,791 S \* 5/2015 Adamson ..... D14/318  
 D732,037 S 6/2015 Wylie  
 D739,398 S 9/2015 Adamson et al.  
 D741,318 S 10/2015 Oakley  
 D767,484 S 9/2016 Morad et al.  
 D795,800 S 8/2017 Derkacs et al.  
 D797,100 S \* 9/2017 Wieser ..... D14/358  
 D808,902 S \* 1/2018 Qiu ..... D13/108  
 D812,553 S 3/2018 Anderson et al.  
 10,198,035 B2 \* 2/2019 Wylie ..... G06F 1/1654  
 D860,208 S 9/2019 Okuley  
 10,439,422 B2 10/2019 Singer  
 D871,331 S 12/2019 Langhammer

D887,968 S 6/2020 Ebisawa et al.  
 D900,813 S 11/2020 Akana et al.  
 D911,304 S \* 2/2021 Hong ..... D14/204  
 D933,584 S \* 10/2021 Morad ..... D13/102  
 2010/0022285 A1 1/2010 Randall et al.  
 2015/0349850 A1 12/2015 Leabman et al.  
 2018/0323636 A1 11/2018 Makwinski et al.

OTHER PUBLICATIONS

“U.S. Appl. No. 29/589,159, Response filed Jul. 2, 2018 to Restriction Requirement dated Apr. 4, 2018”, 5 pgs.  
 “U.S. Appl. No. 29/589,159, Restriction Requirement dated Apr. 4, 2018”, 6 pgs.  
 “U.S. Appl. No. 29/670,031, Non Final Office Action dated Jan. 19, 2021”, 8 pgs.  
 “U.S. Appl. No. 29/670,031, Notice of Allowance dated Apr. 13, 2021”, 5 pgs.  
 “U.S. Appl. No. 29/670,031, Response filed Mar. 26, 2021 to Non Final Office Action dated Jan. 19, 2021”, 7 pgs.

\* cited by examiner

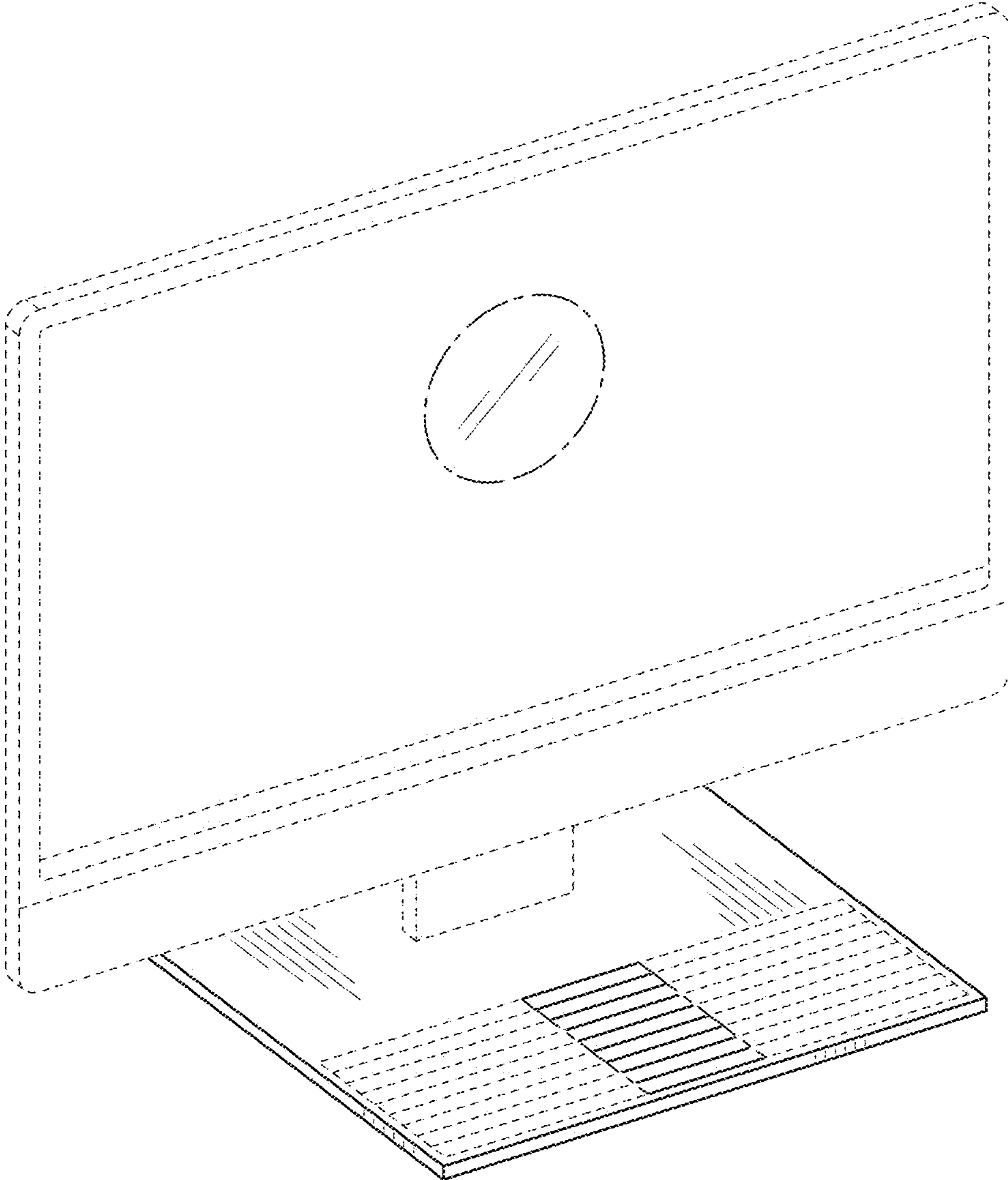


FIG. 1

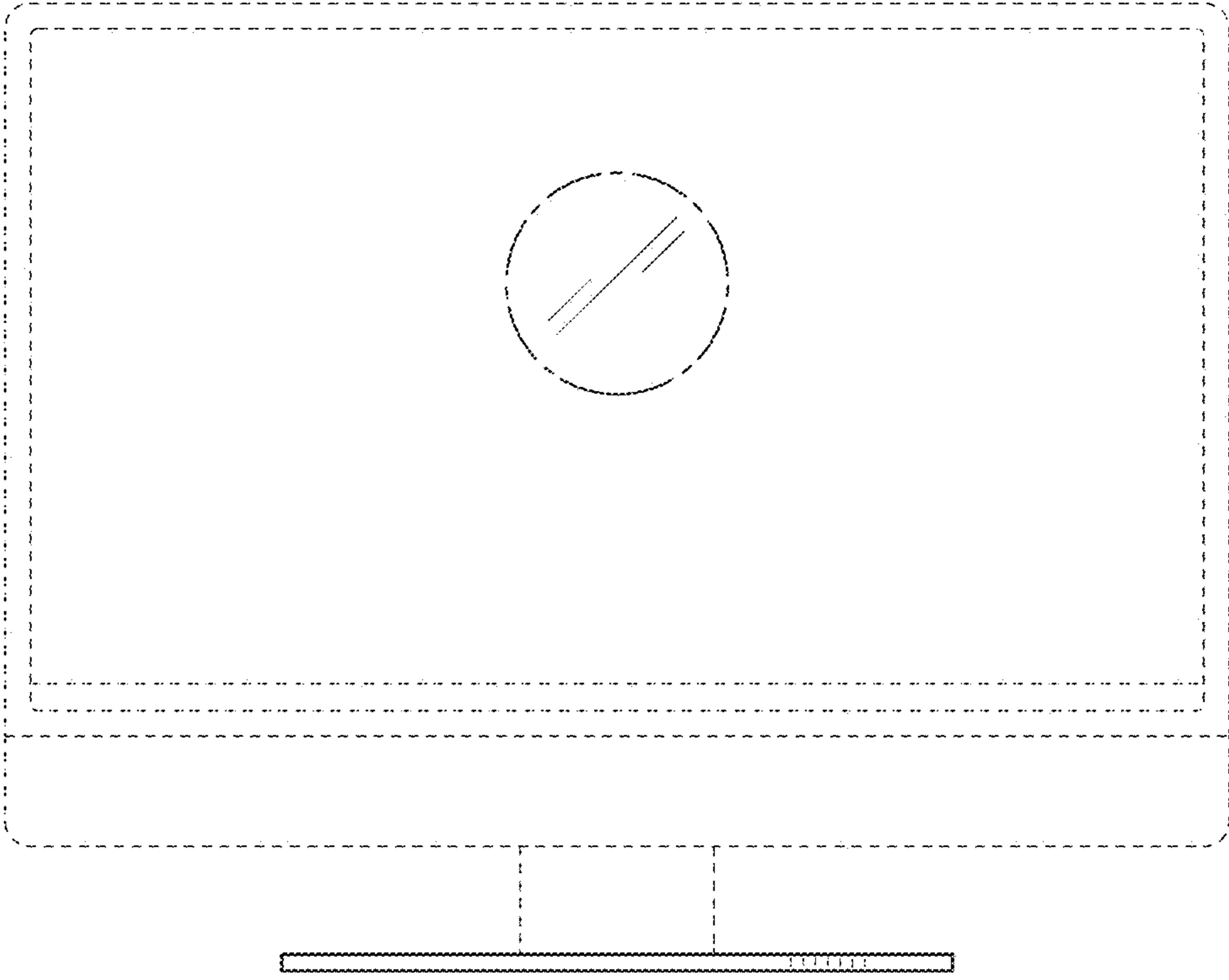


FIG. 2

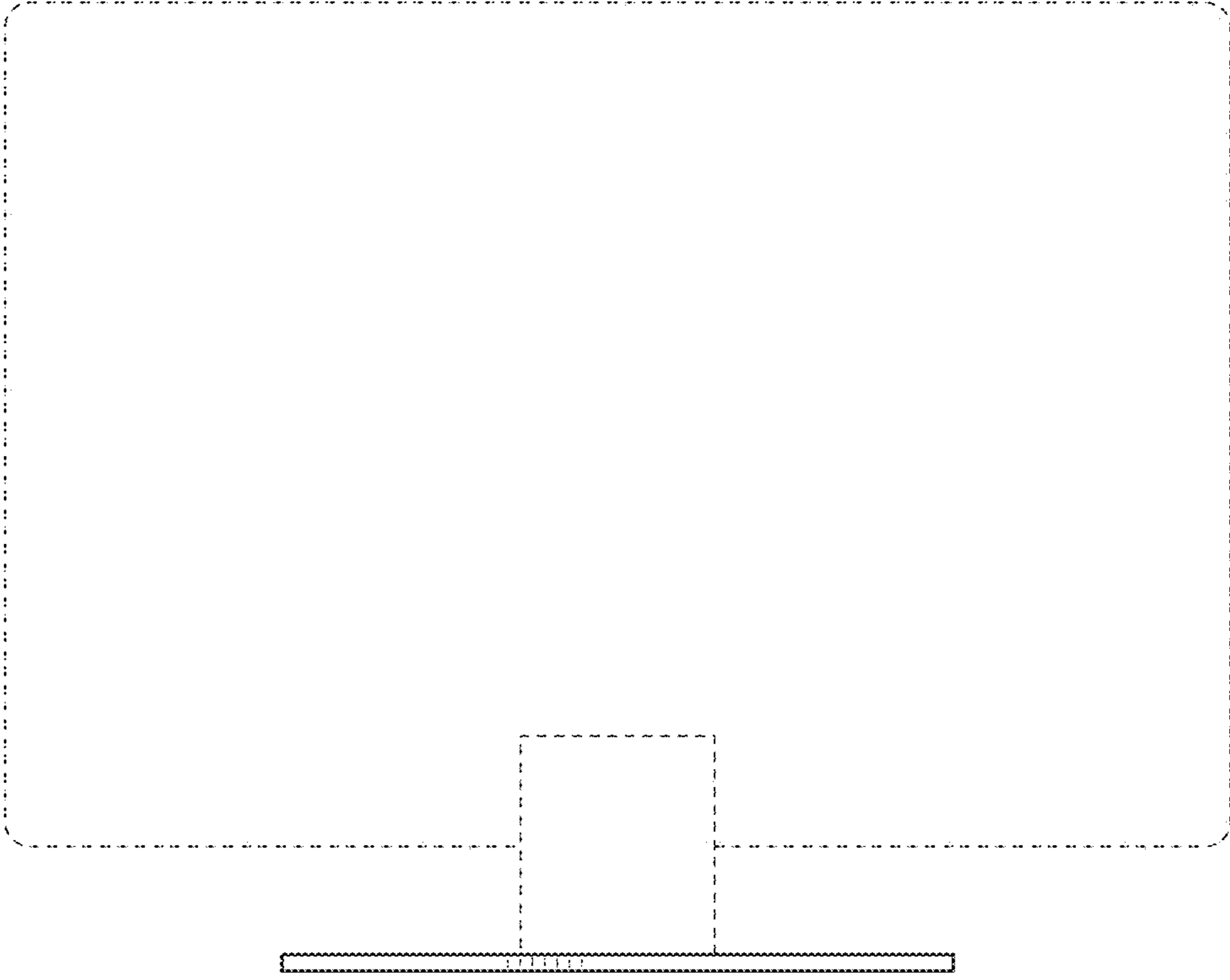


FIG. 3

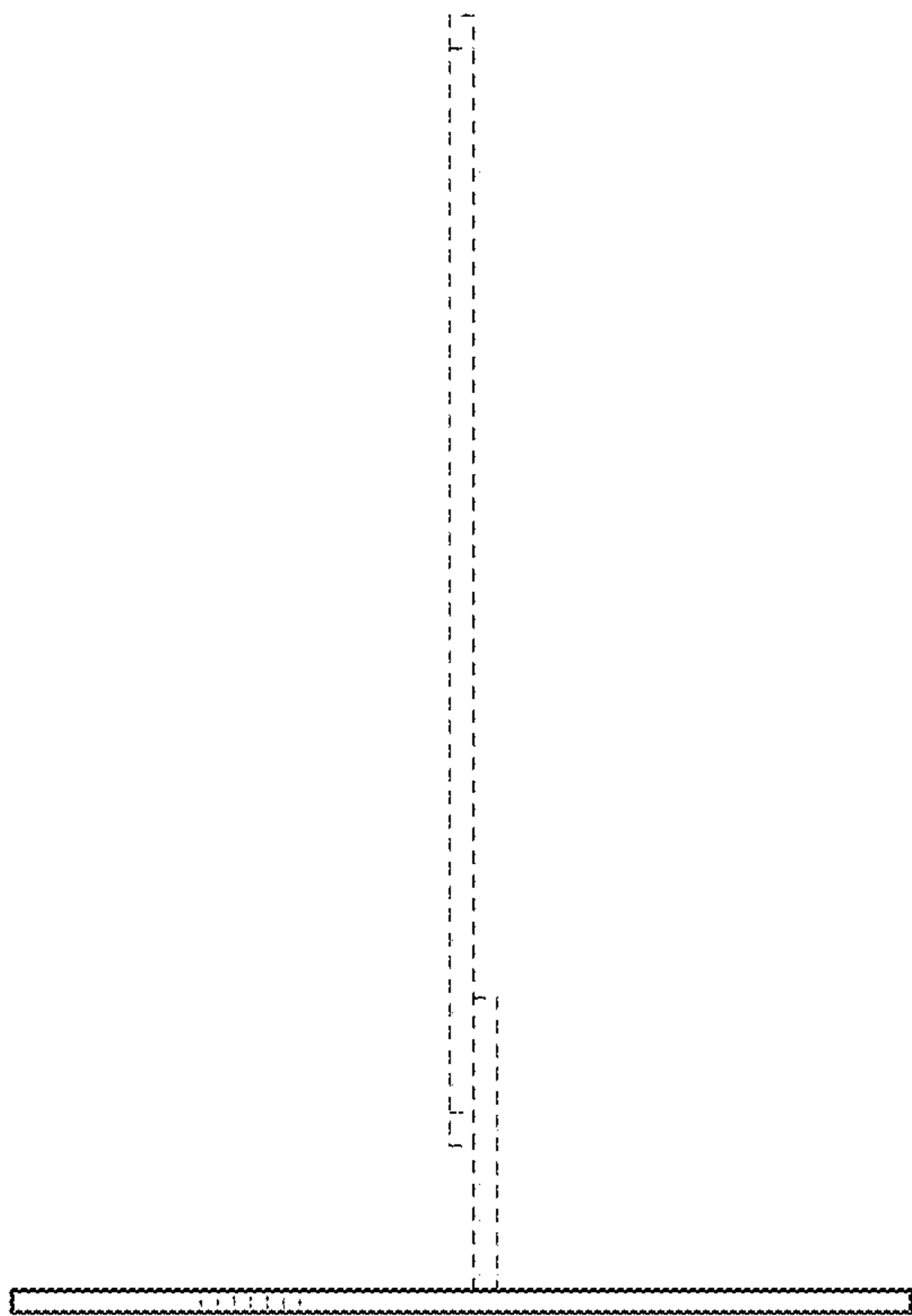


FIG. 4

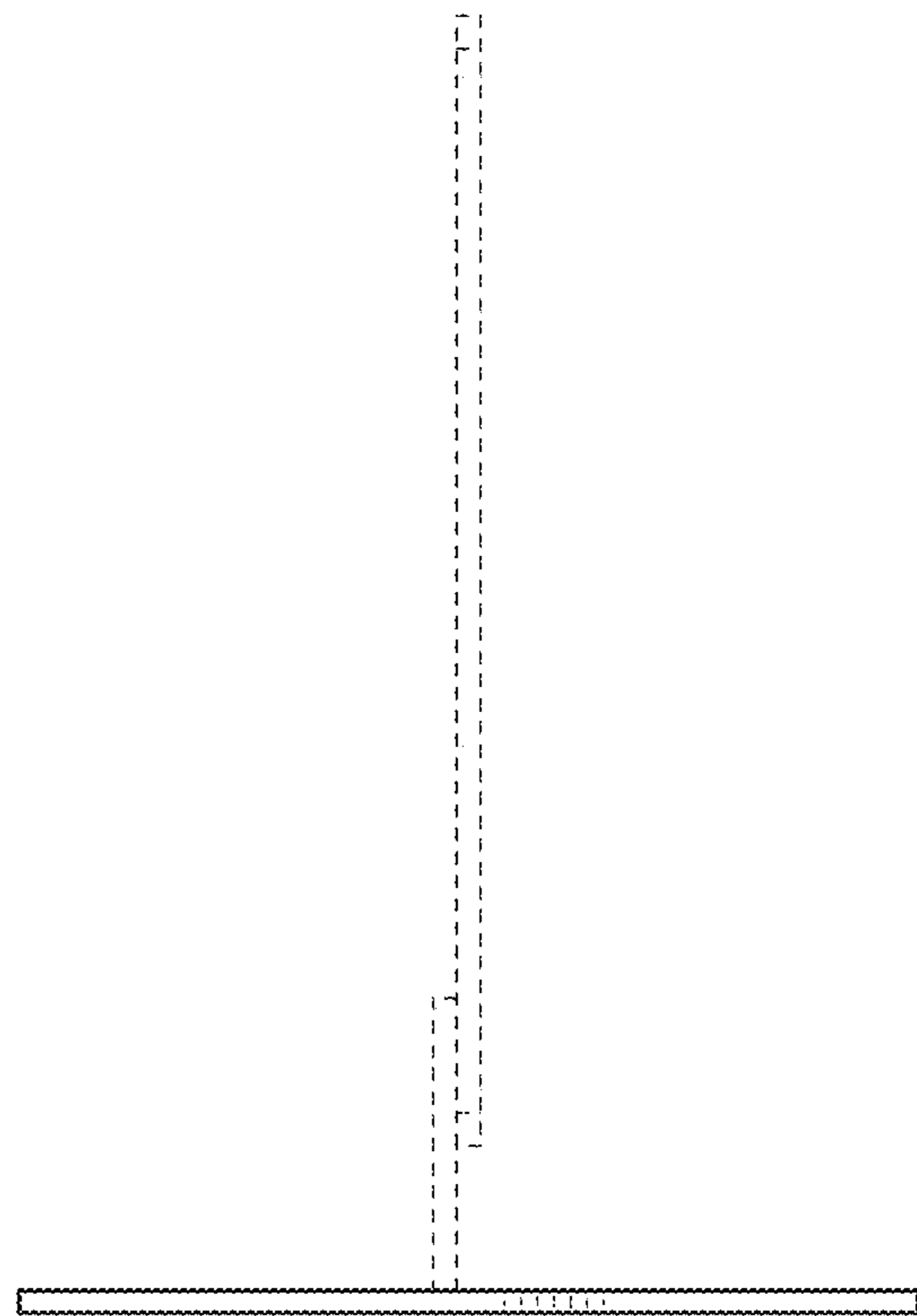


FIG. 5

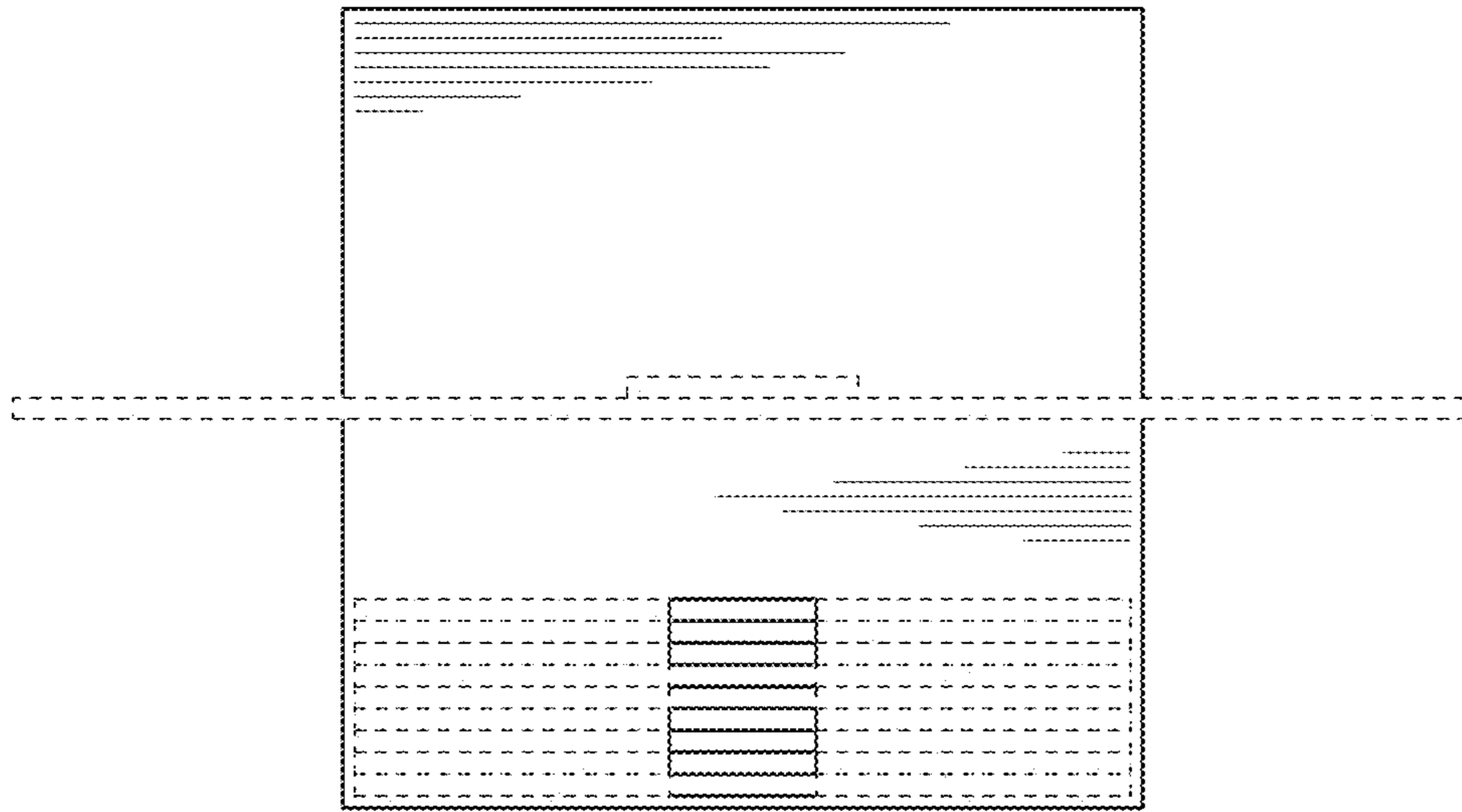


FIG. 6

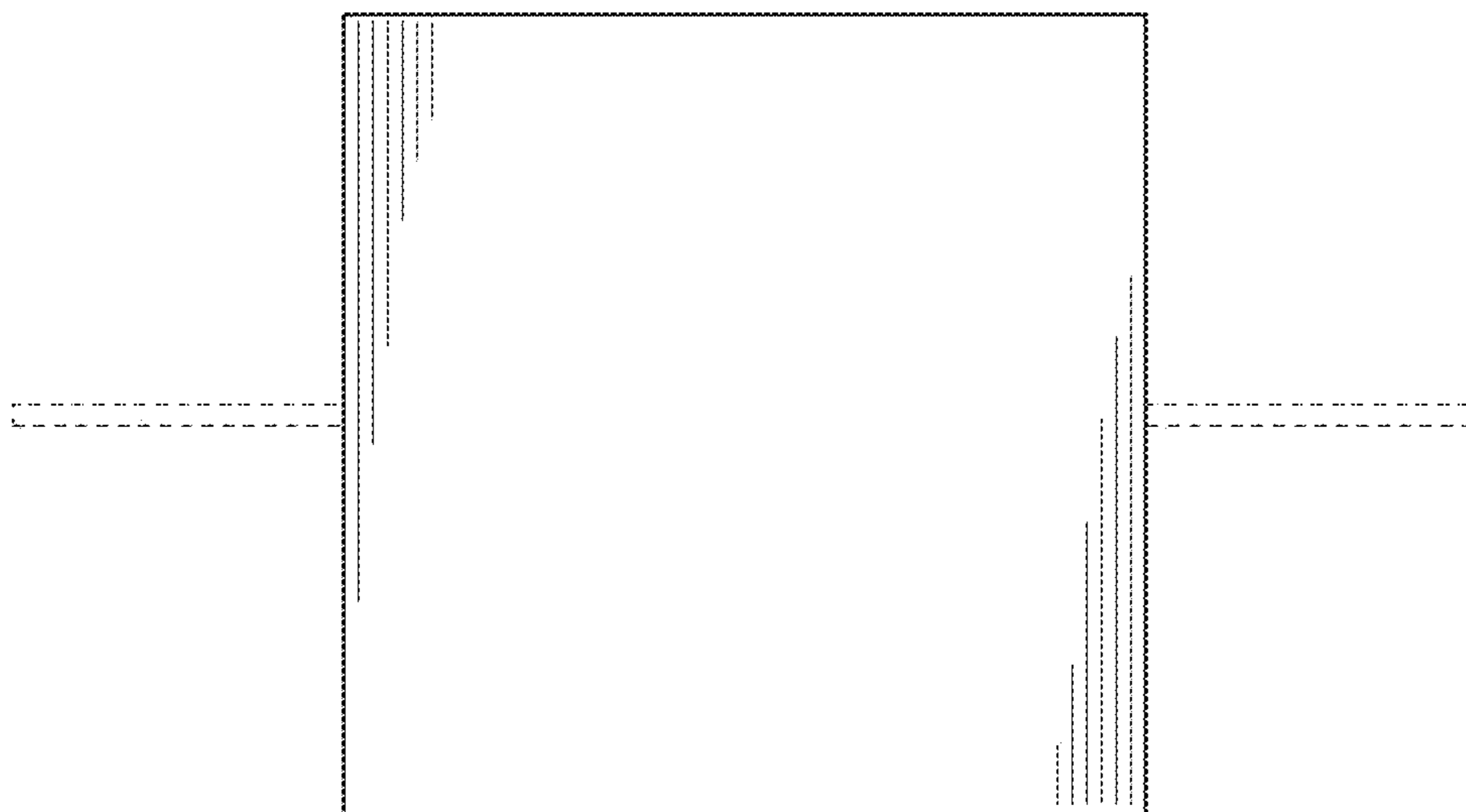


FIG. 7