



US00D957329S

(12) **United States Design Patent**
Turksu et al.

(10) **Patent No.:** **US D957,329 S**
(45) **Date of Patent:** **** Jul. 12, 2022**

(54) **CHARGER FOR ELECTRONIC DEVICES**

(71) Applicant: **SARIANA, LLC**, San Diego, CA (US)

(72) Inventors: **Alan Turksu**, San Diego, CA (US);
Mustafa Burak Guclu, San Diego, CA (US)

(73) Assignee: **Sariana, LLC**, San Diego, CA (US)

(**) Term: **15 Years**

(21) Appl. No.: **29/749,876**

(22) Filed: **Sep. 9, 2020**

(51) **LOC (13) Cl.** **13-02**

(52) **U.S. Cl.**
USPC **D13/108**

(58) **Field of Classification Search**

USPC D13/103, 107, 108, 118, 119, 183;
D14/251, 253, 432, 434, 447; D6/682,
D6/682.1, 682.5

CPC H02J 15/00; H02J 7/0044; H04B 1/3877
See application file for complete search history.

(56) **References Cited**

U.S. PATENT DOCUMENTS

| | | | | |
|-------------------|---------|-----------|-------|-------------|
| D733,156 S * | 6/2015 | Choi | | D14/447 |
| D762,650 S * | 8/2016 | Dang | | D14/434 |
| D794,984 S * | 8/2017 | Green | | D6/682.5 |
| 9,843,214 B2 * | 12/2017 | Peek | | H02J 7/025 |
| D851,431 S * | 6/2019 | Jia | | D6/682.1 |
| D851,587 S * | 6/2019 | Schmidt | | D13/108 |
| D872,725 S * | 1/2020 | Lindof | | D14/253 |
| D884,622 S * | 5/2020 | Huang | | D13/108 |
| D898,017 S * | 10/2020 | Zhang | | D14/253 |
| D900,119 S * | 10/2020 | Burmester | | D14/447 |
| D928,703 S * | 8/2021 | Liao | | D13/108 |
| 2019/0190283 A1 * | 6/2019 | Lee | | H02J 7/0027 |
| 2020/0185952 A1 * | 6/2020 | Morrow | | H02J 7/0027 |

OTHER PUBLICATIONS

“Satechi MagSafe Charger”. Found online Apr. 26, 2021 at9to5mac.com. Reference dated Feb. 12, 2021. Retrieved from https://9to5mac.com/2021/01/12/satechi-magsafe-compatible-multi-device-charger/. (Year: 2021).*

(Continued)

Primary Examiner — Kendra Leslie Hamilton

Assistant Examiner — Amanda Christensen

(74) *Attorney, Agent, or Firm* — Wagenknecht IP Law Group PC

(57) **CLAIM**

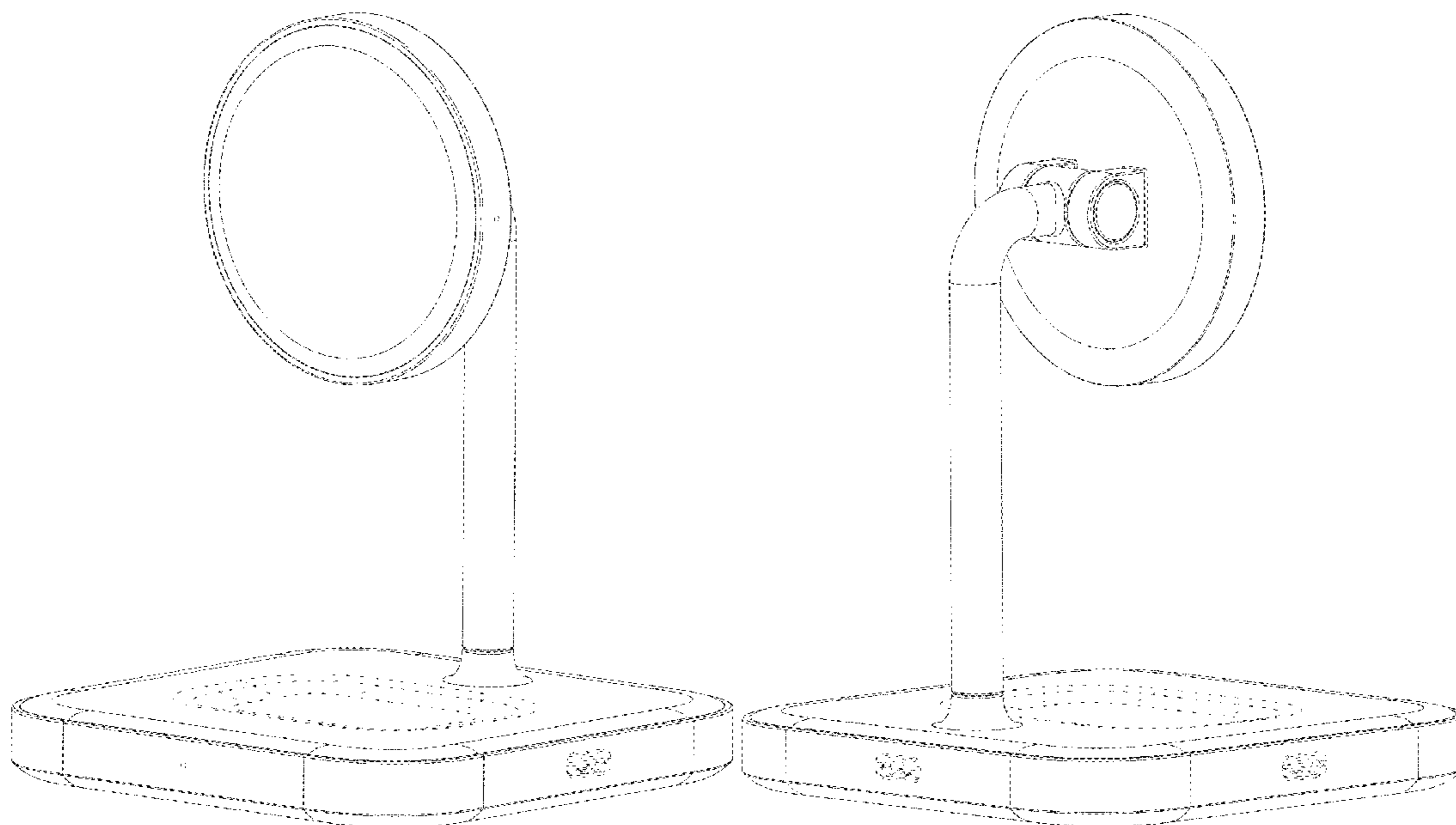
The ornamental design for a charger for a electronic devices, as shown and described.

DESCRIPTION

FIG. 1 is a front, top, and left side perspective view of a charger for electronic devices showing our new design; FIG. 2 is a rear, top and right side perspective view thereof; FIG. 3 is a front elevational view thereof; FIG. 4 is a rear elevational view thereof; FIG. 5 is a left side elevational view thereof; FIG. 6 is a right side elevational view thereof; FIG. 7 is a top plan view thereof; FIG. 8 is a bottom plan view thereof; and, FIG. 9 is a front, top and left side perspective view of the charger for electronic devices of FIG. 1, shown in a condition of use.

In the drawings, the broken lines on the charger for electronic devices depict portions of the charger that form no part of the claimed design. In FIG. 9, the broken lines showing a mobile phone, an earbud case, and a cord depict environmental subject matter only, and form no part of the claimed design.

1 Claim, 9 Drawing Sheets



(56)

References Cited

OTHER PUBLICATIONS

“UGREEN Stand for Apple Watch”. Found online Feb. 10, 2021 at amazon.com. Reference dated Jul. 10, 2019. Retrieved from <https://www.amazon.com/dp/B07V5FCBH9>. (Year: 2019).*

“Belkin Watch Valet Charge Dock”. Found online Feb. 10, 2021 at millennialmagazine.com. Reference dated Aug. 16, 2016. Retrieved from <https://millennialmagazine.com/2016/08/16/belkin-watch-valet-charge-dock-for-apple-watch/>. (Year: 2016).*

* cited by examiner

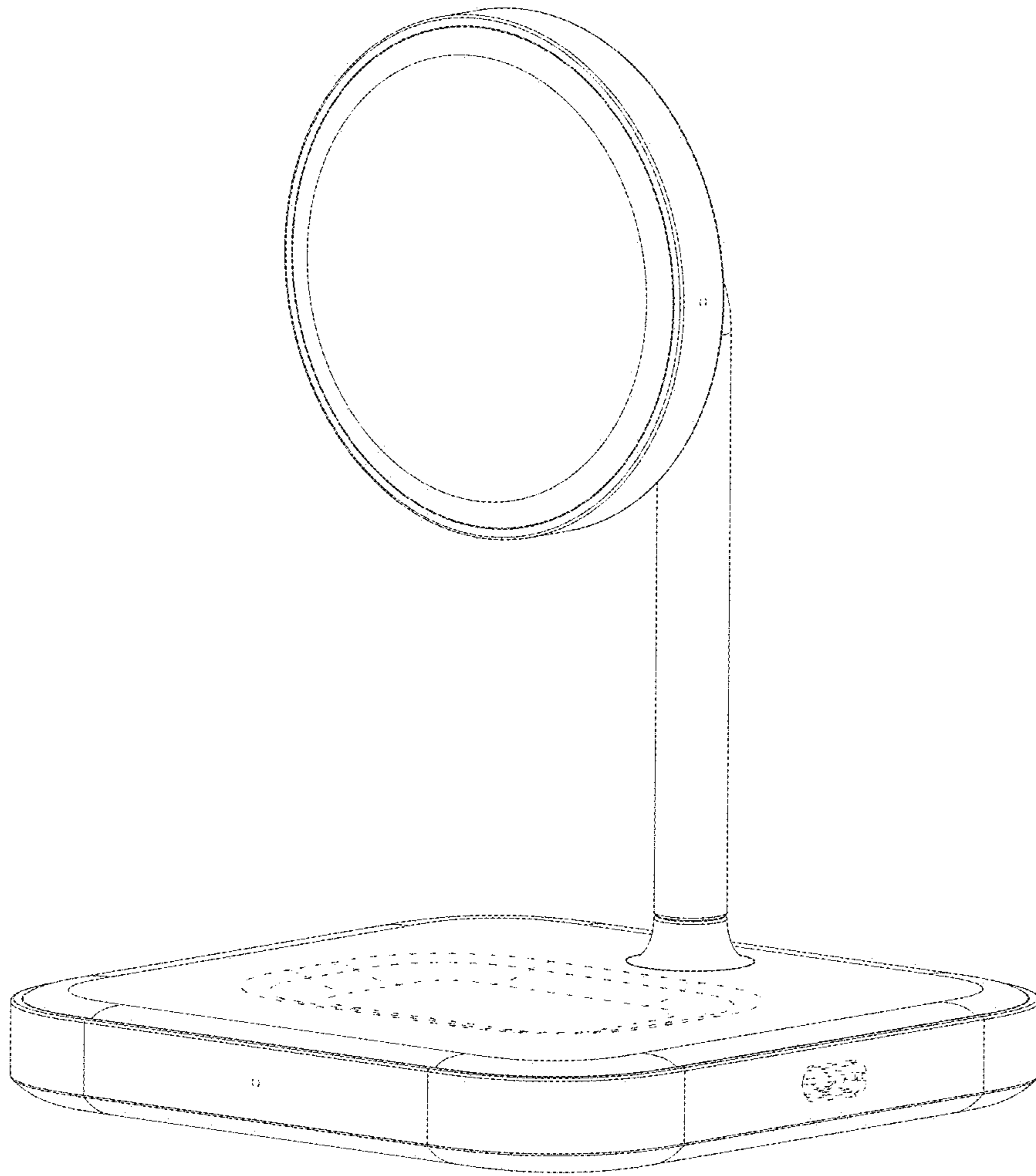


FIG. 1

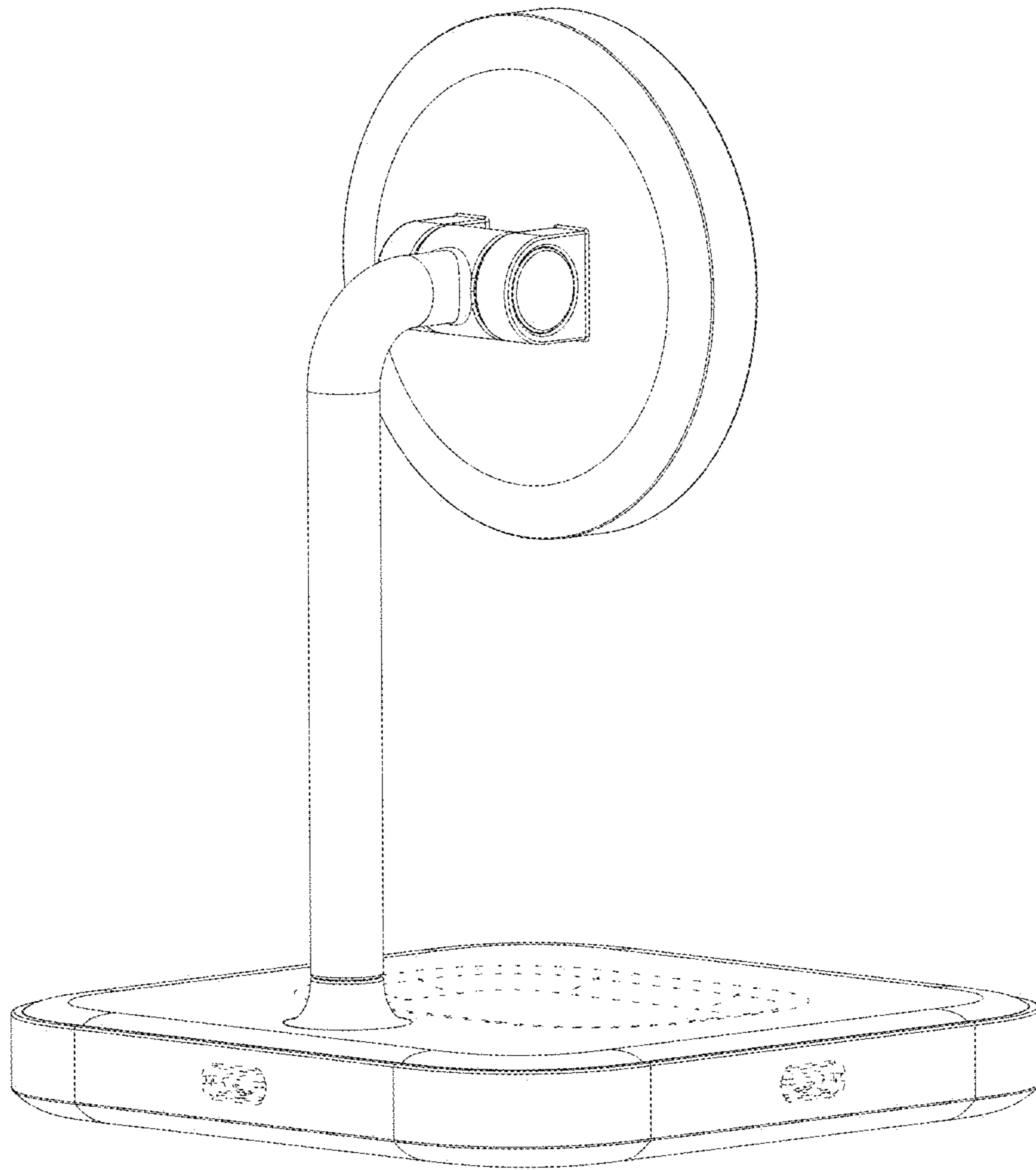


FIG. 2

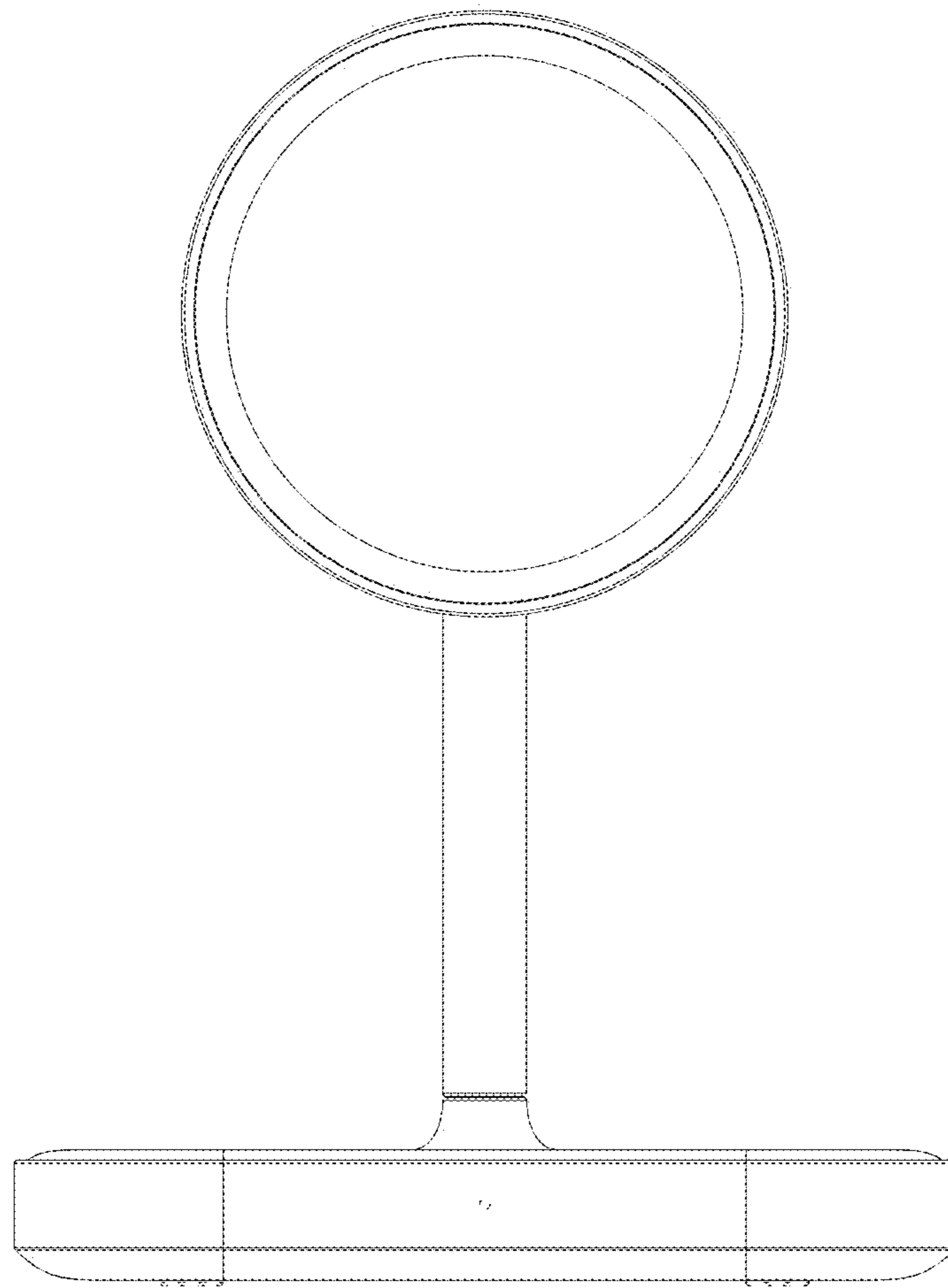


FIG. 3

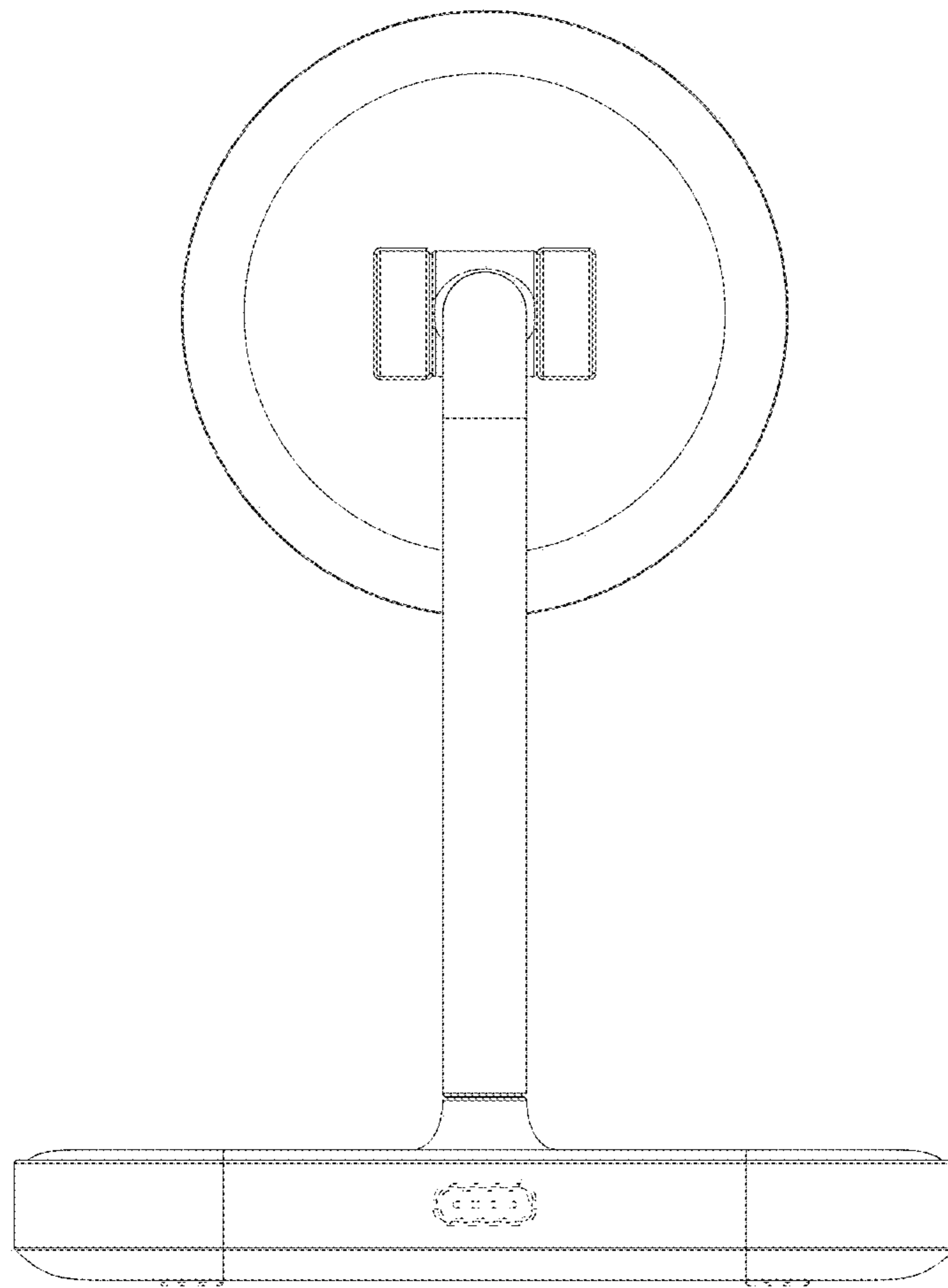


FIG. 4

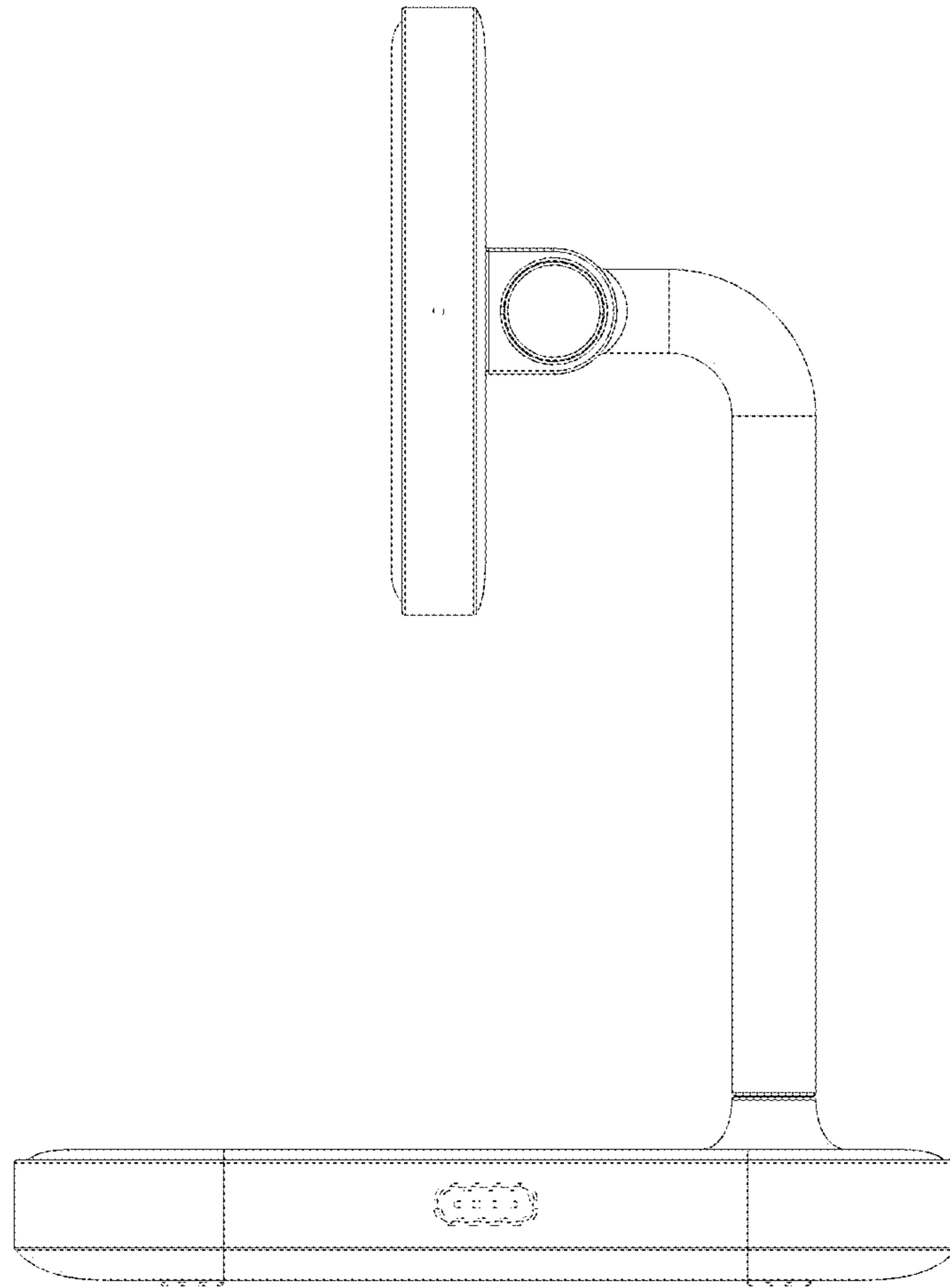


FIG. 5

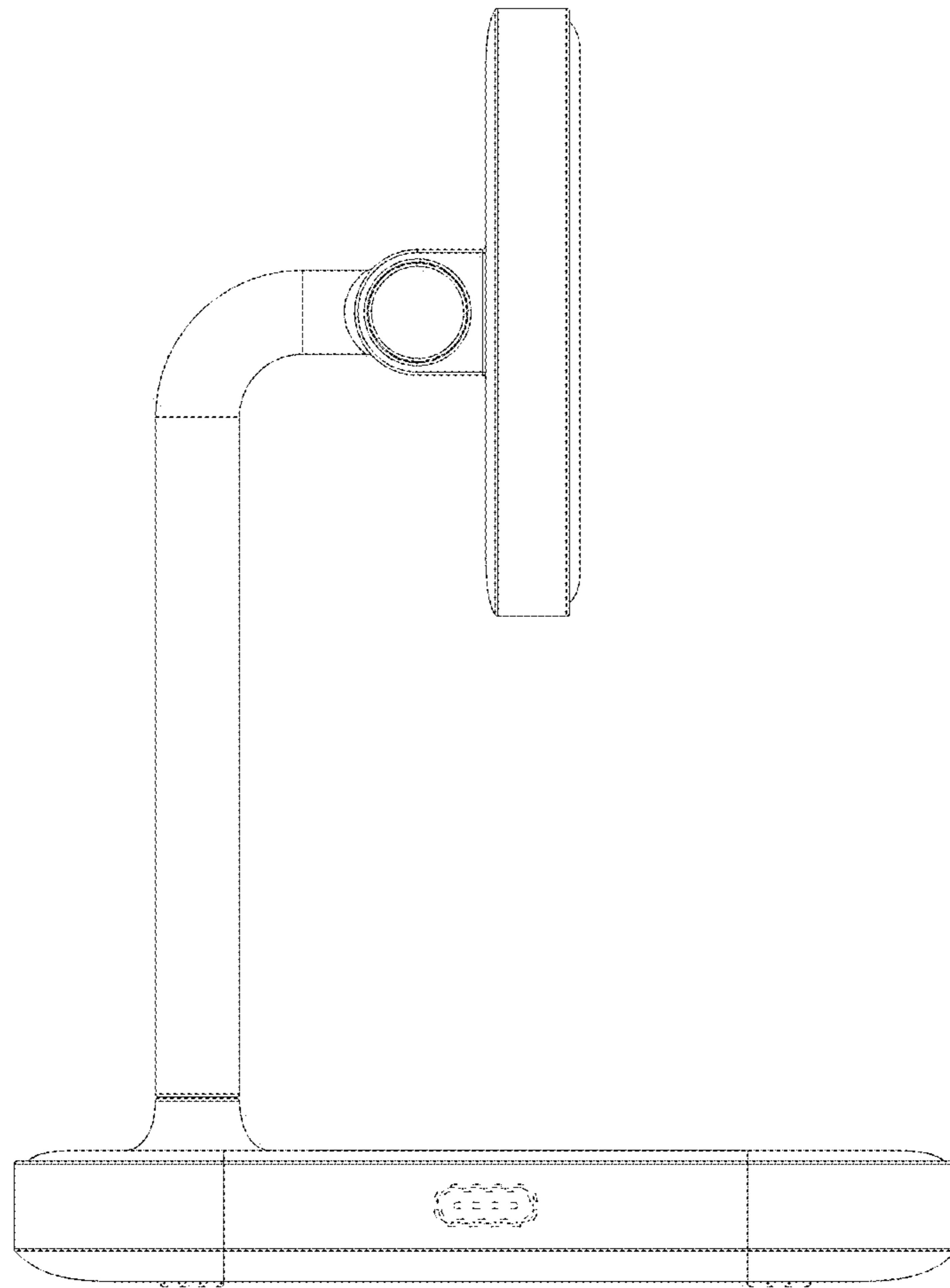


FIG. 6

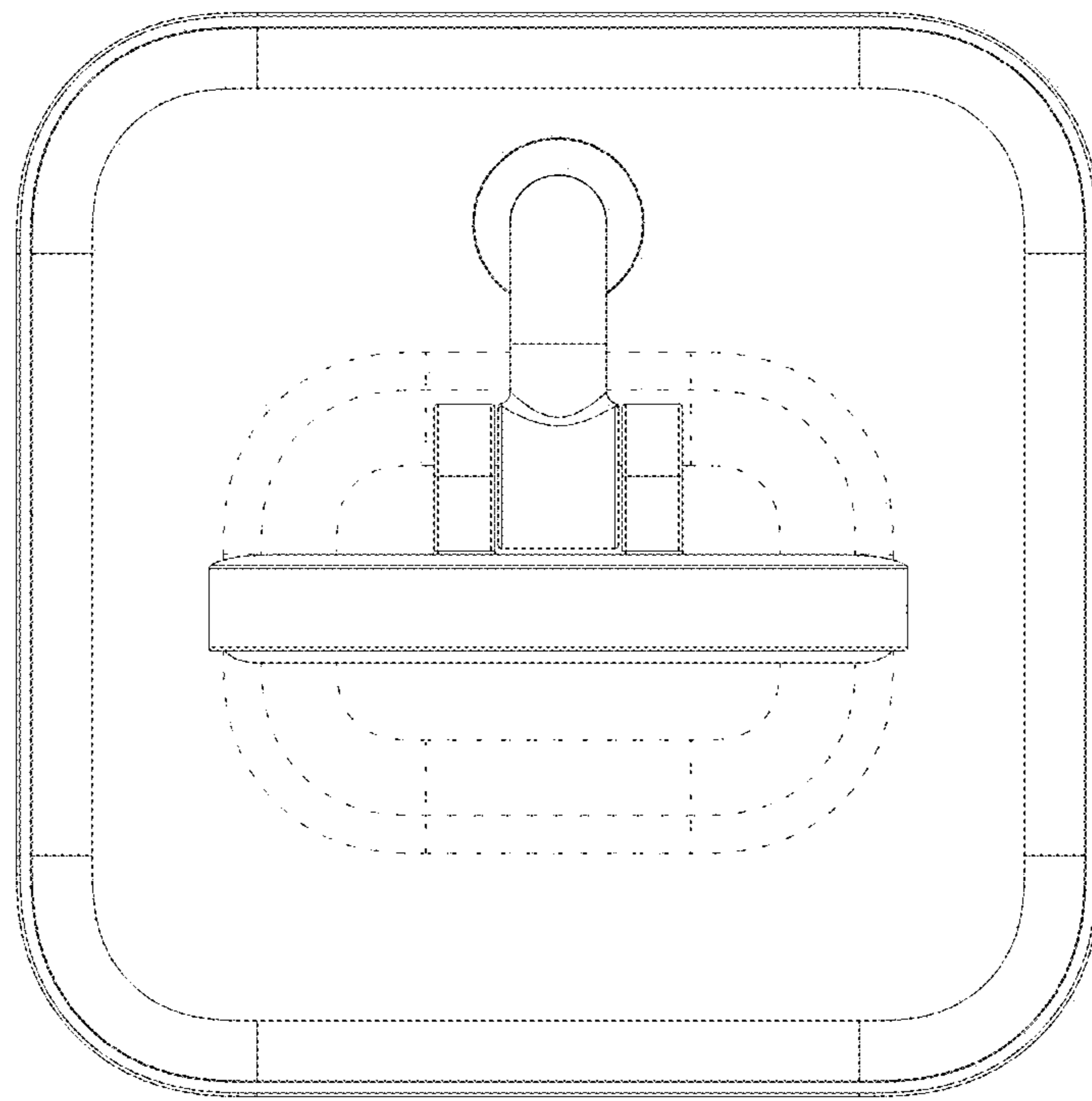


FIG. 7

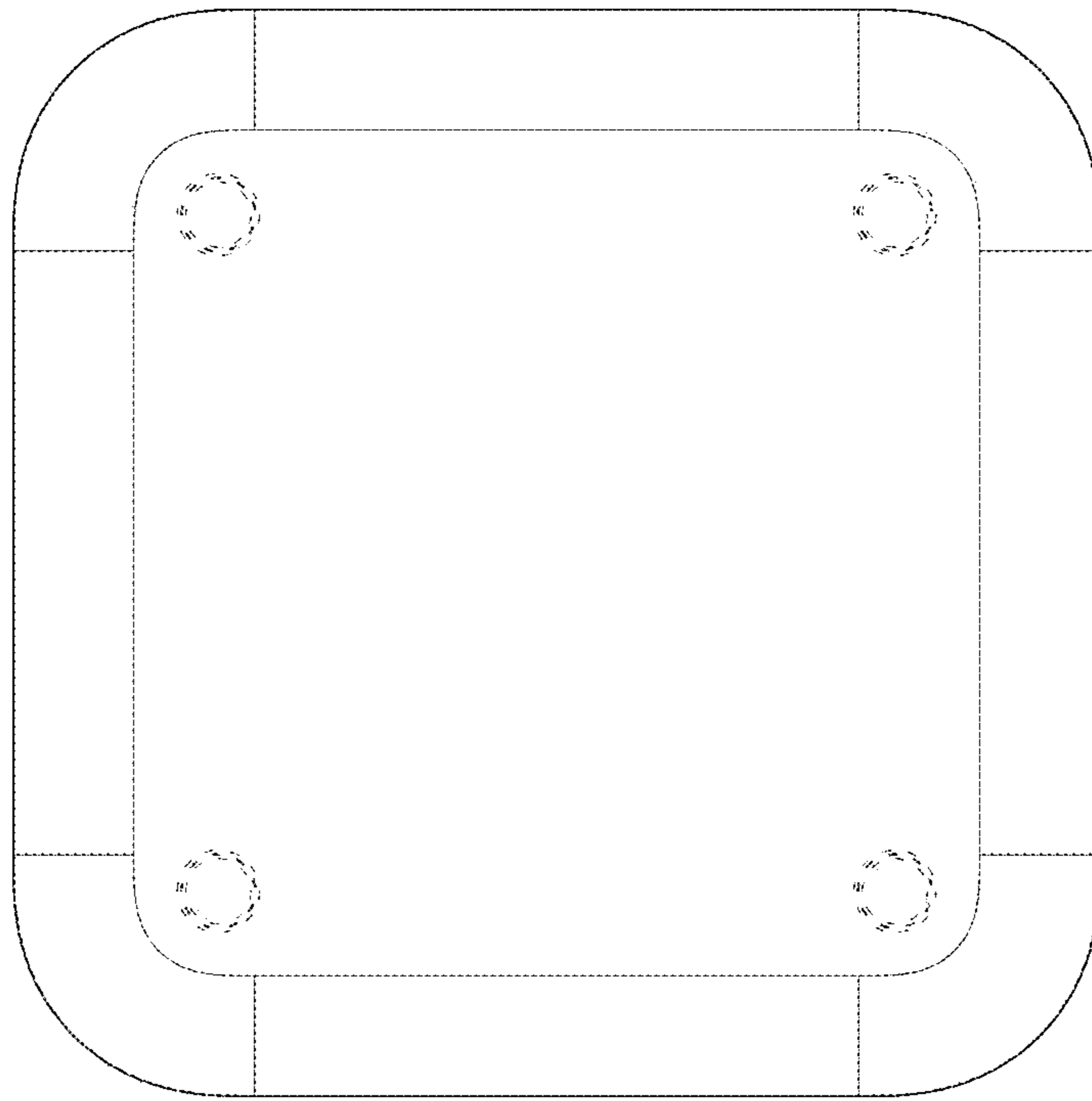


FIG. 8

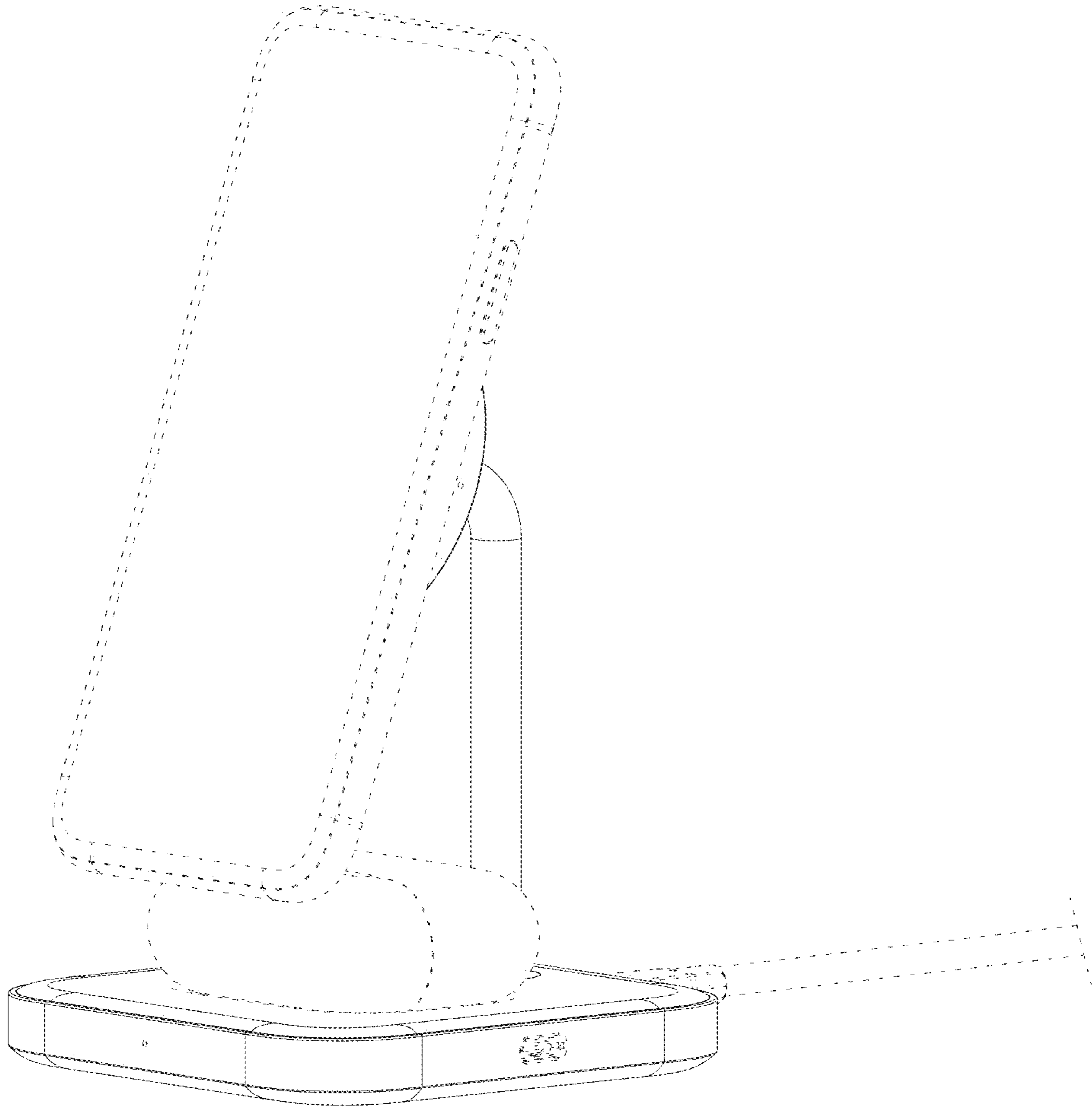


FIG. 9