



US00D957325S

(12) **United States Design Patent** (10) **Patent No.:** **US D957,325 S**
Turksu et al. (45) **Date of Patent:** **** Jul. 12, 2022**

(54) **WIRELESS CHARGER**

(71) Applicant: **SARIANA, LLC**, San Diego, CA (US)

(72) Inventors: **Alan Turksu**, San Diego, CA (US);
Mustafa Burak Guclu, San Diego, CA (US)

(73) Assignee: **SARIANA, LLC**, San Diego, CA (US)

(**) Term: **15 Years**

(21) Appl. No.: **29/697,748**

(22) Filed: **Jul. 11, 2019**

(51) **LOC (13) Cl.** **13-02**

(52) **U.S. Cl.**
USPC **D13/108**

(58) **Field of Classification Search**

USPC D13/107–110, 118–119, 184; D14/251,
D14/253, 432, 434

CPC Y02E 60/12; Y02T 90/14; Y02T 90/122;
Y02T 90/128; Y02T 90/163; H02J 7/025;
H02J 7/0042; H02J 7/0044; H02J 7/0045;
H02J 7/0013; H02J 7/0003; H01F 38/14;
H01R 13/6675; H01M 2/1022; H01M
2/1055; H01M 10/44; H01M 10/46;
H01M 10/425; B60L 11/182

See application file for complete search history.

(56) **References Cited**

U.S. PATENT DOCUMENTS

1,165,840	A	12/1915	Brutus
1,359,347	A	11/1920	Fleisher
1,475,605	A	11/1923	Smith
1,550,588	A	8/1925	Soldani
1,646,562	A	10/1927	Snow
1,671,862	A	5/1928	Heinz
D137,618	S	4/1944	Rolfes
D147,151	S	7/1947	Schinske
2,436,292	A	2/1948	De Mott
2,629,023	A	2/1953	La Fitte
2,878,324	A	3/1959	Guerrero

(Continued)

OTHER PUBLICATIONS

Aceluxe Arm R1 Hinge Holder Stand For Table Device And Any Smartphone, amazon online, no post date, [URL: https://uedata.amazon.com/Aceluxe-Holder-Tablet-Device-Smartphone/dp/B014115SYY] [Retreived from internet on Feb. 12, 2019].

(Continued)

Primary Examiner — Nathaniel D. Buckner

(74) *Attorney, Agent, or Firm* — Wagenknecht IP Law Group PC

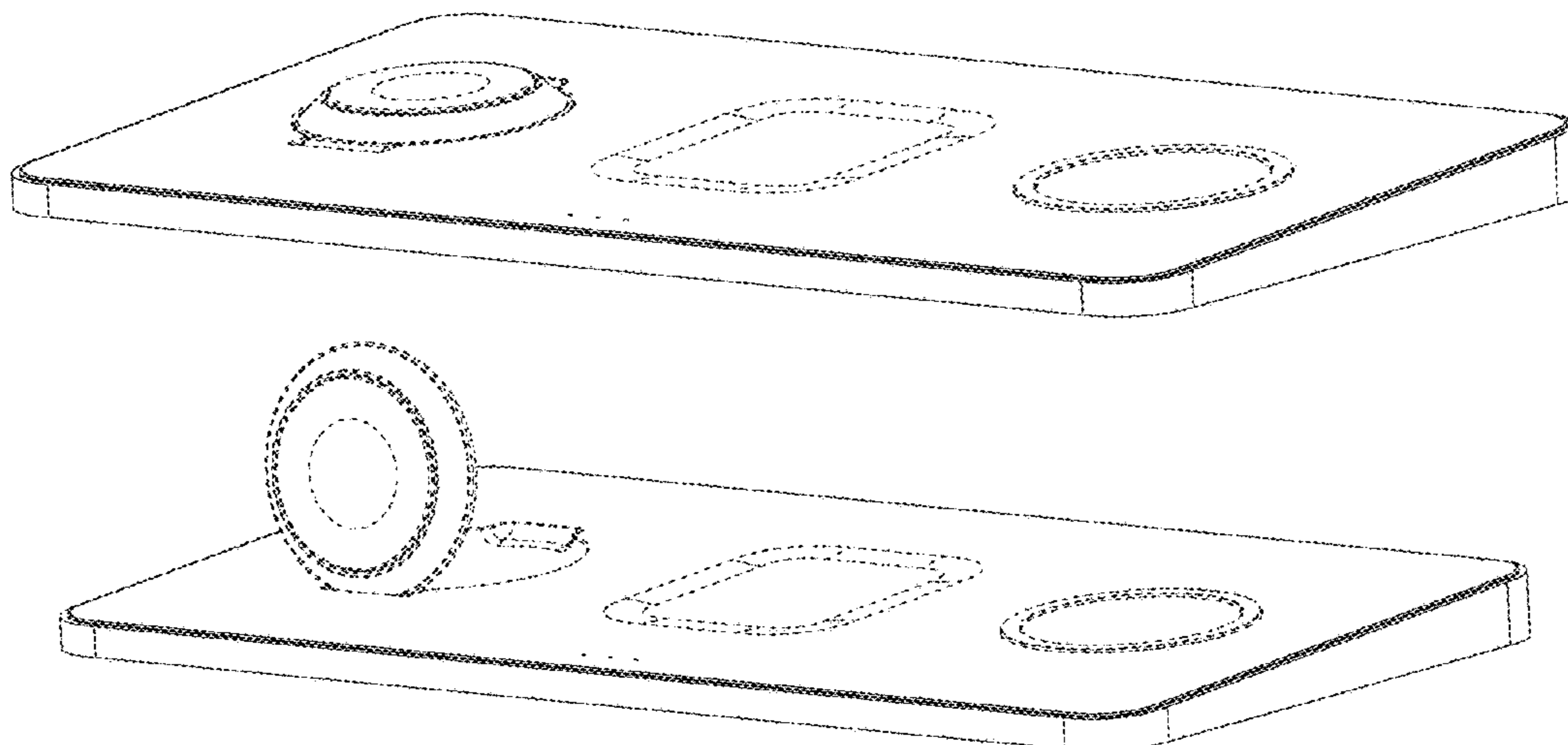
(57) **CLAIM**

The ornamental design for a wireless charger, as shown and described.

DESCRIPTION

FIG. 1 is a top right perspective view of a wireless charger showing our new design;
FIG. 2 is a top plan view thereof;
FIG. 3 is a bottom plan view thereof;
FIG. 4 is a right side elevational view thereof;
FIG. 5 is a left side elevational view thereof;
FIG. 6 is a front side elevational view thereof;
FIG. 7 is a rear side elevational view thereof;
FIG. 8 is a second top right perspective view thereof shown in an alternative environment;
FIG. 9 is a top view thereof;
FIG. 10 is a right side view thereof;
FIG. 11 is a side view thereof;
FIG. 12 is a front side elevational view thereof;
FIG. 13 is a rear side elevational view thereof; and,
FIG. 14 is a third top right perspective view thereof shown in an alternative environment of use.
The broken lines in the figures depict portions of the article or environmental subject matter which form no part of the claimed design.

1 Claim, 10 Drawing Sheets



(56)

References Cited

U.S. PATENT DOCUMENTS

2,987,585	A	6/1961	Abysalh	D544,463	S	6/2007	Harris
3,224,644	A	12/1965	Davis	D550,196	S	9/2007	Griffin et al.
D223,304	S	4/1972	Doggart	D553,106	S	10/2007	Griffin
D223,924	S	6/1972	Adelson	D554,115	S	10/2007	Liu et al.
3,693,923	A	9/1972	Ayoub et al.	D559,848	S	1/2008	Siu
3,695,568	A	10/1972	Hogrebe	D559,849	S	1/2008	Siu
D227,117	S	6/1973	Breger	D559,850	S	1/2008	Lye
D230,014	S	1/1974	Edgell, Sr.	D560,165	S	1/2008	Matityahu et al.
4,060,697	A	11/1977	Neal	D560,166	S	1/2008	Andre et al.
D254,594	S	4/1980	Picard	D571,805	S	1/2008	Leung et al.
D258,577	S	3/1981	Bottner	D561,345	S	2/2008	Flick
D273,840	S	5/1984	Morita	D564,501	S	3/2008	Rath
D277,418	S	1/1985	Hemrich, Jr. et al.	D577,008	S	9/2008	Andre et al.
4,527,018	A	7/1985	Offredi	D580,436	S	11/2008	Kiyomiya et al.
D285,772	S	9/1986	Oliver	D580,438	S	11/2008	Kuchler
D286,636	S	11/1986	Cooke et al.	D580,932	S	11/2008	Tzou et al.
D294,231	S	2/1988	Cameron, Jr. et al.	D582,408	S	* 12/2008	Maiers D14/356
4,856,746	A	8/1989	Wrobel et al.	D585,060	S	1/2009	Han
D308,870	S	6/1990	Rioux, Jr.	D585,543	S	1/2009	Yodfat et al.
D320,992	S	10/1991	Jondelius	D587,706	S	3/2009	Maiers et al.
5,095,382	A	3/1992	Abe	7,499,271	B2	3/2009	Wagatsuma et al.
D325,578	S	4/1992	Daido et al.	D591,270	S	4/2009	Jakobson et al.
D329,370	S	9/1992	Manning	D592,632	S	5/2009	Lee
5,144,290	A	9/1992	Honda et al.	D593,103	S	5/2009	Richter
D341,567	S	11/1993	Acker et al.	D593,998	S	6/2009	Bentley et al.
5,367,570	A	11/1994	Figueroa	D595,697	S	7/2009	Mao et al.
D353,532	S	12/1994	Miller	D599,331	S	9/2009	Bentley et al.
D355,913	S	2/1995	Chong	D600,925	S	9/2009	Guffey et al.
D357,016	S	4/1995	Li et al.	D601,490	S	10/2009	Zhu et al.
D357,248	S	4/1995	Cheng	D601,564	S	10/2009	Maeno
D361,987	S	9/1995	Yamakazi	D601,583	S	10/2009	Andre et al.
D362,244	S	9/1995	Takemasa	D602,008	S	10/2009	Bentley et al.
D369,149	S	4/1996	Chang et al.	D602,891	S	10/2009	Luo
D371,793	S	7/1996	Patton	D602,911	S	10/2009	Wang et al.
D387,784	S	12/1997	Nakamura	D602,917	S	10/2009	Bentley
D395,280	S	6/1998	Phelps	D602,940	S	10/2009	McLean
5,814,968	A	9/1998	Lovegreen et al.	D604,725	S	11/2009	Chen
D400,429	S	11/1998	Morita	D606,549	S	12/2009	He
D405,064	S	2/1999	Iino	D610,156	S	2/2010	Mudrick
D407,985	S	4/1999	Pimental	D612,868	S	3/2010	Morabito
D412,160	S	7/1999	Nelson	D627,306	S	11/2010	Charleux
D413,574	S	9/1999	Goto	7,841,876	B2	11/2010	Lin et al.
D426,491	S	6/2000	Chan	D631,051	S	1/2011	DeFronzo
D429,307	S	8/2000	Wu et al.	D633,503	S	3/2011	Bo et al.
D430,882	S	9/2000	Tsai	D635,978	S	4/2011	Chen
D432,496	S	10/2000	Collins	D641,753	S	7/2011	Obata
D433,005	S	10/2000	McGugan	D642,585	S	8/2011	Lan et al.
D435,835	S	1/2001	Steck	D645,027	S	9/2011	Gougherty et al.
D438,451	S	3/2001	Reiter	D646,682	S	10/2011	Lim et al.
D441,639	S	5/2001	Reiter	D646,683	S	10/2011	Tao et al.
D446,209	S	8/2001	Hickford et al.	D648,270	S	11/2011	Jiang
6,321,340	B1	11/2001	Shin et al.	D650,377	S	12/2011	Akana et al.
D454,482	S	3/2002	Morita	D657,305	S	4/2012	Nomi et al.
D461,400	S	8/2002	Aoki	D658,640	S	5/2012	Ivaskevicius
D461,794	S	8/2002	Polito et al.	D659,087	S	5/2012	Nomi et al.
D464,562	S	10/2002	Reiter	D659,094	S	5/2012	Brand et al.
D464,972	S	10/2002	Carrasco, Jr.	D659,638	S	5/2012	Wang
D478,086	S	8/2003	Chuang	D660,834	S	5/2012	Akana et al.
D478,087	S	8/2003	Aldridge	D661,249	S	6/2012	Smith et al.
D479,709	S	9/2003	Cocks et al.	D662,089	S	6/2012	Gougherty et al.
6,612,534	B2	9/2003	Hennessey	D663,300	S	7/2012	Kim et al.
D482,674	S	11/2003	Rath et al.	D664,146	S	7/2012	Hoehn et al.
D484,128	S	12/2003	Chung	D665,734	S	8/2012	Fitch et al.
D492,307	S	6/2004	Aqqad et al.	D669,473	S	10/2012	Gronau et al.
D496,029	S	9/2004	Skulley et al.	D669,888	S	10/2012	Gougherty et al.
D508,899	S	8/2005	Suzuki	D670,291	S	11/2012	Dalton
D511,985	S	11/2005	Kelly, Jr.	D670,297	S	11/2012	Huang
D512,417	S	12/2005	Hirakawa et al.	D671,096	S	11/2012	Song et al.
D515,040	S	2/2006	Jones et al.	D671,528	S	11/2012	Fathollahi
D518,030	S	3/2006	Lin	D677,259	S	3/2013	van der Lande
D522,531	S	6/2006	Solomon et al.	D678,286	S	3/2013	Cheng
D526,973	S	8/2006	Gates et al.	D683,251	S	5/2013	Dumas et al.
D530,525	S	10/2006	Greene, II	D683,703	S	6/2013	Akana et al.
D531,190	S	10/2006	Lee et al.	D684,145	S	6/2013	Rath
D531,619	S	11/2006	Chau	D684,976	S	6/2013	Akana et al.
				D687,009	S	6/2013	Song et al.
				D685,806	S	7/2013	Kim et al.
				D686,201	S	7/2013	Lee
				D688,198	S	8/2013	Takeshita et al.

(56)

References Cited

U.S. PATENT DOCUMENTS

D688,248 S	8/2013	Tsuda et al.	D751,985 S	3/2016	Curry
D688,255 S	8/2013	Daniel	D753,090 S	4/2016	Langhammer et al.
8,512,079 B2	8/2013	Vroom et al.	D754,131 S	4/2016	Shim
D689,858 S	9/2013	Lo et al.	D756,367 S	5/2016	Kim
D690,707 S	10/2013	Minn et al.	D756,990 S	5/2016	Akana et al.
D691,879 S	10/2013	Bernard	D762,170 S	7/2016	Lei
D691,947 S	10/2013	Cole et al.	D762,648 S *	8/2016	Akana D14/434
D692,024 S	10/2013	Seong et al.	D763,790 S	8/2016	Lei
D693,768 S	11/2013	Alesi et al.	D765,623 S	9/2016	Yang et al.
D694,182 S	11/2013	Lee et al.	D765,651 S	9/2016	Liu et al.
D696,673 S	12/2013	Vogel	D766,844 S	9/2016	Turksu et al.
D698,789 S	2/2014	Daniel	D767,486 S	9/2016	Yu
D699,241 S	2/2014	Moors et al.	9,441,659 B2	9/2016	Ortwein
D700,904 S	3/2014	Miller et al.	D769,860 S	10/2016	Xiao
D701,838 S	4/2014	Esses	D769,877 S	10/2016	Akana et al.
D702,146 S	4/2014	Giovanni	D772,216 S	11/2016	Lau
D702,242 S	4/2014	Tsuda et al.	D772,878 S	11/2016	Chiang
D703,676 S	4/2014	Smith et al.	D772,879 S	11/2016	Eliyahu
D704,177 S	5/2014	Chun et al.	D774,514 S	12/2016	Turksu et al.
D705,189 S	5/2014	Chovin et al.	D774,934 S	12/2016	Akana et al.
D705,748 S	5/2014	He	D775,534 S	1/2017	Turksu et al.
D706,248 S	6/2014	Myung et al.	D776,659 S	1/2017	Hou
D706,249 S	6/2014	Holzer	D778,714 S	2/2017	McSweyn et al.
8,758,032 B2	6/2014	Liang et al.	D779,478 S	2/2017	Justiss et al.
D709,066 S	7/2014	Byun	D779,493 S	2/2017	Eliyahu
D709,892 S	7/2014	Lui	D780,116 S	2/2017	Bing
8,777,656 B2	7/2014	Kuo et al.	D780,168 S	2/2017	Du
D711,884 S	8/2014	Turksu et al.	D780,186 S	2/2017	Lee
8,838,029 B2	9/2014	Goldman et al.	D781,297 S	3/2017	Liao
D714,729 S	10/2014	Akana et al.	D782,462 S	3/2017	Huang
D715,132 S	10/2014	McSweyn et al.	D782,476 S	3/2017	Yamazaki
D715,219 S	10/2014	Cepress et al.	D782,485 S	3/2017	Cai
D715,797 S	10/2014	Hiraga	D782,901 S	4/2017	Richter
D716,300 S	10/2014	Cruz et al.	D783,592 S	4/2017	Ju
D717,803 S	11/2014	Takano et al.	D786,791 S	5/2017	Jeong et al.
D718,234 S	11/2014	Rautiainen	D786,874 S	5/2017	Eliyahu
D718,236 S	11/2014	Murray	D786,885 S	5/2017	Eliyahu
D718,271 S	11/2014	McTague et al.	D788,034 S	5/2017	Gschwandtl et al.
D718,612 S	12/2014	McSweyn et al.	D788,080 S	5/2017	Turksu et al.
D720,347 S	12/2014	Lo	D788,112 S	5/2017	Liao
D720,691 S	1/2015	Lo et al.	D789,348 S	6/2017	Kim
D720,755 S	1/2015	Nokuo	9,690,743 B2	6/2017	Eliyahu
D724,060 S	3/2015	Ahn et al.	D791,070 S	7/2017	Son et al.
D724,080 S	3/2015	Lin et al.	D791,138 S	7/2017	Eliyahu
D725,088 S	3/2015	Kwak et al.	D792,220 S	7/2017	Simons et al.
D726,161 S	4/2015	Howard et al.	D793,397 S	8/2017	Eliyahu
D727,906 S	4/2015	Neumann	D794,028 S	8/2017	Lin
D728,467 S	5/2015	Hasbrook	D795,876 S	8/2017	Fletcher et al.
D729,277 S	5/2015	Uchida	D796,433 S	9/2017	Langhammer et al.
D729,773 S	5/2015	Salojarvi et al.	D796,514 S	9/2017	Xu
D733,043 S	6/2015	Hasbrook et al.	D797,707 S *	9/2017	Abehassera D14/226
D733,144 S	6/2015	Kostrzewski et al.	D797,747 S	9/2017	Xu
D733,773 S	7/2015	Lee et al.	D797,751 S	9/2017	Houston et al.
D736,150 S	8/2015	Liu	D798,301 S	9/2017	Kujawski et al.
D737,201 S	8/2015	Liu	D798,811 S	10/2017	Liao
D738,303 S	9/2015	Symons	D799,423 S	10/2017	Eliyahu
D738,945 S	9/2015	Culbertson et al.	D799,463 S	10/2017	Deng
D739,708 S	9/2015	McSweyn et al.	D799,464 S	10/2017	Zaihui
D740,291 S	10/2015	Turksu et al.	D800,730 S	10/2017	Lin
D741,256 S	10/2015	Murphy-Reinhertz et al.	D802,404 S	11/2017	Turksu et al.
D743,382 S	11/2015	Katori	D803,779 S	11/2017	Jung et al.
D743,924 S	11/2015	Hillenmayer et al.	D804,306 S	12/2017	Simons et al.
D743,954 S	11/2015	Chuang et al.	D804,978 S	12/2017	Chao et al.
D746,165 S	12/2015	Li	D807,290 S	1/2018	Liao
D746,166 S	12/2015	Li	D809,793 S	2/2018	Hahn et al.
D746,780 S	1/2016	Akana et al.	D812,130 S *	3/2018	Chen D18/4.6
D747,229 S	1/2016	Perez	D812,577 S	3/2018	Turksu et al.
D747,267 S	1/2016	Aumiller et al.	D813,803 S	3/2018	Massar
D747,984 S	1/2016	Zhao et al.	D813,805 S	3/2018	Zhong
D748,463 S	2/2016	Turksu	D813,806 S *	3/2018	Ito D13/108
D750,083 S	2/2016	Chow	D813,875 S	3/2018	Liao
D750,612 S	3/2016	Chen	D814,413 S	4/2018	Zhong
D750,633 S	3/2016	Minn et al.	D815,036 S	4/2018	Martorell
D751,527 S	3/2016	Hinokio et al.	D815,639 S	4/2018	Lau
D751,564 S	3/2016	Hahn et al.	D816,026 S	4/2018	Georgiades
			D816,027 S	4/2018	Chen
			D816,030 S	4/2018	Sumida
			D817,199 S	5/2018	Farley et al.
			D820,264 S	6/2018	Lai et al.

(56)

References Cited

U.S. PATENT DOCUMENTS

D824,328 S 7/2018 Liu
 D826,942 S 8/2018 Lu
 10,045,568 B2 8/2018 Monsees et al.
 10,058,130 B2 8/2018 Monsees et al.
 D827,568 S 9/2018 Turksu et al.
 D828,354 S 9/2018 Chuang et al.
 D828,356 S 9/2018 Xie
 D828,839 S 9/2018 Zhang
 D828,840 S 9/2018 Zhang
 D828,841 S 9/2018 Zhang
 D829,215 S 9/2018 Magargee et al.
 D829,216 S 9/2018 Belitz et al.
 D829,719 S 10/2018 Shim
 D829,725 S 10/2018 Luo
 D830,366 S 10/2018 Turksu et al.
 D831,875 S 10/2018 Sperling
 D832,260 S 10/2018 Hutton et al.
 D836,546 S * 12/2018 Kang D13/108
 D836,640 S 12/2018 Hou
 D839,869 S 2/2019 Wang
 D839,876 S 2/2019 Turksu et al.
 D844,006 S 3/2019 Molnar
 D844,008 S * 3/2019 Yamazaki D14/434
 D844,618 S 4/2019 Liao
 D845,897 S 4/2019 Kim
 D847,139 S 4/2019 Wang
 D847,811 S 5/2019 Shim
 D849,768 S 5/2019 Tsuji et al.
 D850,372 S 6/2019 Kong et al.
 D853,396 S 7/2019 Luo
 D854,019 S 7/2019 Liao
 D854,509 S 7/2019 Wu
 D854,544 S 7/2019 Liao
 D855,054 S 7/2019 Turksu et al.
 D855,616 S 8/2019 Chin
 10,405,582 B2 9/2019 Hatton et al.
 D862,385 S 10/2019 Turksu et al.
 D862,473 S 10/2019 Liu et al.
 D862,474 S 10/2019 Liu
 D863,310 S 10/2019 Liao
 D864,205 S 10/2019 Wang
 D864,206 S 10/2019 Wang
 D864,208 S 10/2019 Duan
 D864,209 S 10/2019 Wang
 D864,964 S 10/2019 Lyu
 D864,965 S 10/2019 Sang
 D864,966 S 10/2019 Sang
 D864,967 S 10/2019 Liu
 D865,664 S 11/2019 Liao
 D865,666 S 11/2019 Roberts
 D865,676 S 11/2019 Liao
 D865,768 S 11/2019 Du et al.
 D866,557 S 11/2019 Xiong
 D868,036 S 11/2019 Sohn et al.
 D868,742 S 12/2019 Cao
 D868,784 S 12/2019 Turksu et al.
 D869,426 S 12/2019 Sandlund
 D869,467 S 12/2019 Lin
 D871,332 S 12/2019 Liao
 D872,016 S 1/2020 Liao
 D872,078 S 1/2020 Wu
 D872,690 S * 1/2020 Williams D13/108
 D900,051 S * 10/2020 Yang D14/150
 D905,058 S * 12/2020 Chen D14/385
 D909,967 S * 2/2021 Larson D13/108
 D916,695 S * 4/2021 Lee D14/253
 D917,452 S * 4/2021 Lee D14/253
 2002/0003875 A1 1/2002 Stewart et al.
 2003/0148656 A1 8/2003 Huang
 2005/0245254 A1 11/2005 Hall
 2006/0085584 A1 4/2006 Chen et al.
 2010/0315041 A1 12/2010 Tan
 2012/0255505 A1 10/2012 Gauthier
 2013/0072042 A1 3/2013 Liao
 2013/0130524 A1 5/2013 Wang

2013/0224976 A1 8/2013 Yu et al.
 2013/0272775 A1 10/2013 Ortwein
 2013/0292481 A1 11/2013 Filson et al.
 2014/0138419 A1 5/2014 Minn et al.
 2015/0171386 A1 6/2015 Yang et al.
 2017/0035172 A1 2/2017 Kim
 2017/0170858 A1 6/2017 Tiller et al.
 2017/0223862 A1 8/2017 Justiss et al.
 2018/0165053 A1 6/2018 Kuo et al.
 2018/0314664 A1 11/2018 Liao
 2019/0196545 A1 6/2019 Liao
 2020/0014161 A1 1/2020 Liao

OTHER PUBLICATIONS

Pecham Multi-Angle Stand for Cell Phone, amazon online, first review with picture posted Jun. 28, 2017 [URL: <https://www.amazon.com/PECHAM-Multi-Angle-Nintendo-Smartphones-Universal/dp/B072JCY5XY>] [Retrieved from internet on Feb. 12, 2019].
 Sariana, LLC, US Registration No. 5,134,820, Jan. 31, 2017.
 Satechi Aluminum Multi-Port Adapter V2-4K HDMI, Satechi, first listed on amazon.com on Sep. 7, 2017, retrieved on Dec. 3, 2018, [retrieved from the Internet] URL: https://www.amazon.com/Satechi-Aluminum-Multi-Port-Ethernet-Pass-Throught/dp/B075FW7H5J/ref=sr_1_3?ie=UTF8&qid=1543853703&sr=8-3&keywords=satechi+adapter.
 Satechi Aluminum Type-C Pro Hub Adapter with Ethernet, YouTube online, post date May 11, 2018, URL: <https://www.youtube.com/watch?v=W16aTgweWtQ>, retrieved Dec. 5, 2019.
 Satechi R1 Arm Series Review, YouTube online, post date Mar. 27, 2012, [URL: <https://www.youtube.com/watch?v=edjrfherELk>].
 Turksu et al. "Certificate of Registration for European Community Design Registration No. 003618826-0001," Registration Date: Jan. 11, 2017. EUIPO.
 Turksu et al. "Certificate of Registration for European Community Design Registration No. 003618834-0001," Registration Date: Jan. 11, 2017. EUIPO.
 UGREEN USB C Hub VGA Type C Multiport Adapter, UGREEN, first available on amazon.com on Apr. 7, 2018, retrieved on Dec. 3, 2018, [retrieve from the Internet], URL: https://www.amazon.com/UGREEN-Multiport-Delivery-Charging-Chromebook/dp/B076WX1VKZ/ref=sr_1_1_sspa?e=UTF8&qid=1543851422&sr=8-1spons&keywords=ugreen+adapte.
 Wong, Thomas. "Quick Look: Satechi Premium 4 Port Aluminum," [retrieved from Internet] <http://iSource.com/2012/07/04/quick-look-satechi-premium-4-port-aluminum-usb-hub/>, Jul. 4, 2012 [retrieved from Internet on Nov. 1, 2017] 13 pgs.
 AM, Quality Materials, [Published Sep. 22, 2016] amazon.com, [Online][Accessed Jan. 28, 2019] <URL:https://www.amazon.com/Satechi-Qi-Certified-Aluminum-Wireless-Charger/product-reviews/B0114365RQ/ref=cm_cr_getr_d_paging_btm_9?ie=UTF8&reviewerType=all_reviews&sortBy=recent&pageNumber=9> (Year: 2016).
 Satechi Aluminum Type-C Mobile Pro Hub, online, no post date, URL: <https://satechi.net/products/aluminum-type-c-mobile-pro-hub>, retrieved Dec. 16, 2019.
 Satechi Type-C Mobile Pro Hub review, The gadgeteer online, post date Jan. 1, 2019, URL:<https://the-gadgeteer.com/2019/01/01/satechi-type-c-mobile-pro-hub-review/>, retrieved Dec. 16, 2019.
 Satechi Type-c USB 3.0: 3 in 1 Combo Hub for MacBook, Buy Valuable Stuff online, post date Oct. 15, 2017, URL: <https://buyvaluablestuff.com/satechi-type-c-usb-3-0-3-in-1-combo-hub/>, retrieved Dec. 16, 2019.
 Satechi Type-c USB 3.0: 3 in 1 Combo Hub, online, no post date. URL: <https://satechi.net/collections/all/products/satechi-type-c-usb-3-0-3-in-1-combo-hub>, retrieved Dec. 16, 2019.
 Satechi Type-C Aluminum Stand and Hub (online). 17 pages, Listed Oct. 7, 2019 [retrieved Jan. 29, 2020] <https://www.amazon.com/Satechi-Type-C-Aluminum-Stand-Hub/dp/B07YSWZNNW>.

(56)

References Cited

OTHER PUBLICATIONS

Shenzi Tech Mini USB C Hub, online, no post date, URL:
<https://www.dhgate.com/product/mini-usb-c-hub-sd-tf-card-reader-aluminum/502981050.html#seo=WAP>, retrieved Dec. 16, 2019.

* cited by examiner

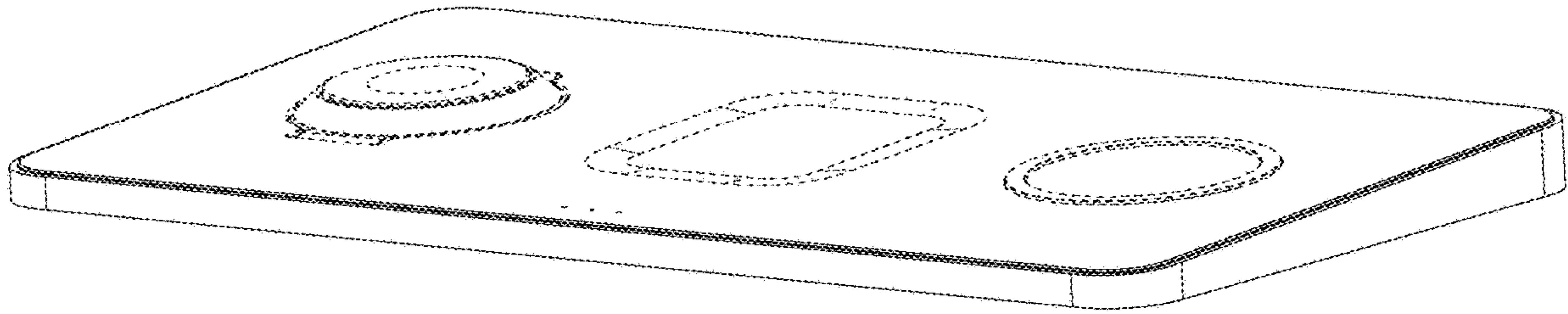


FIG. 1

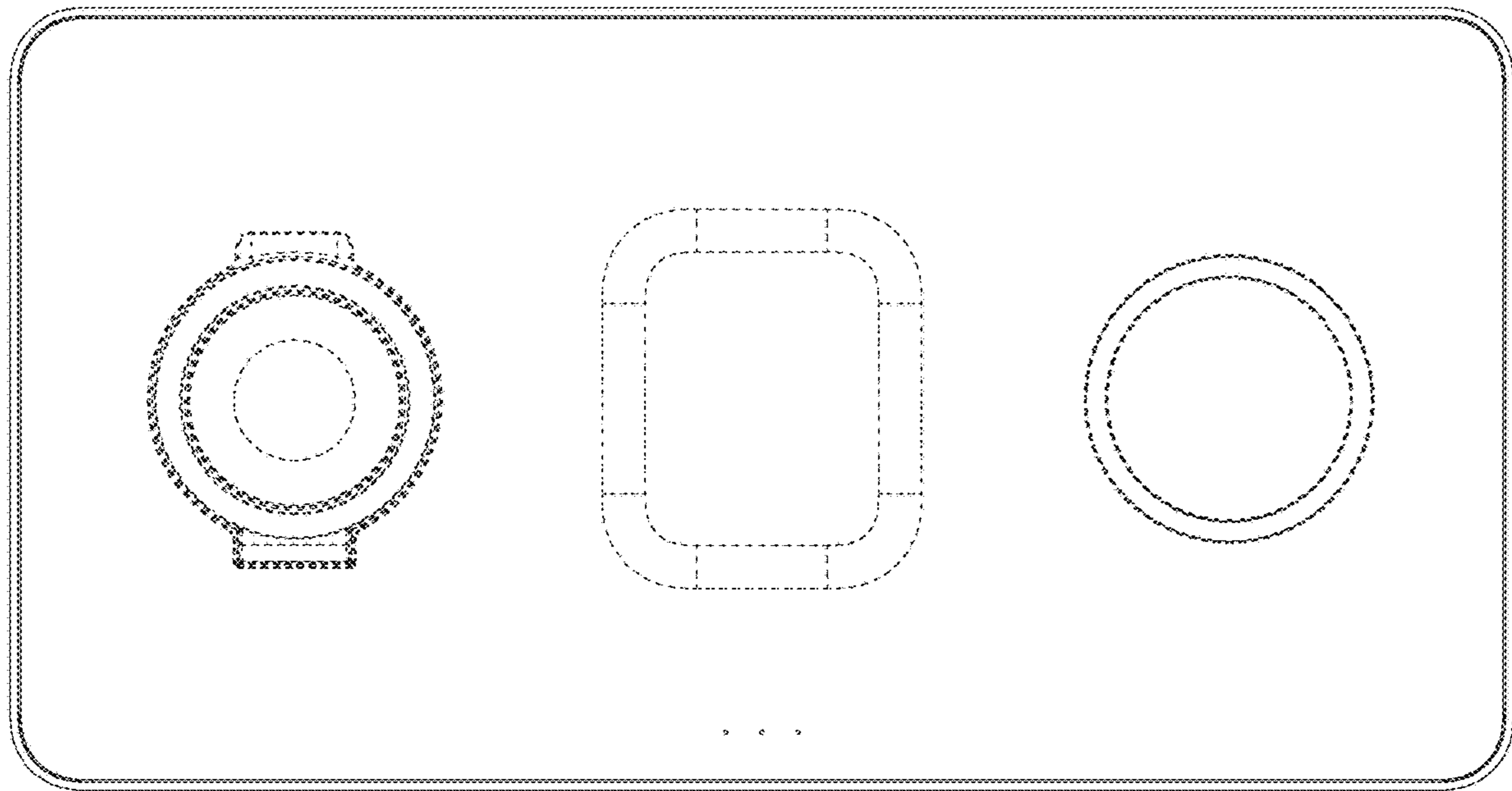


FIG. 2



FIG. 3

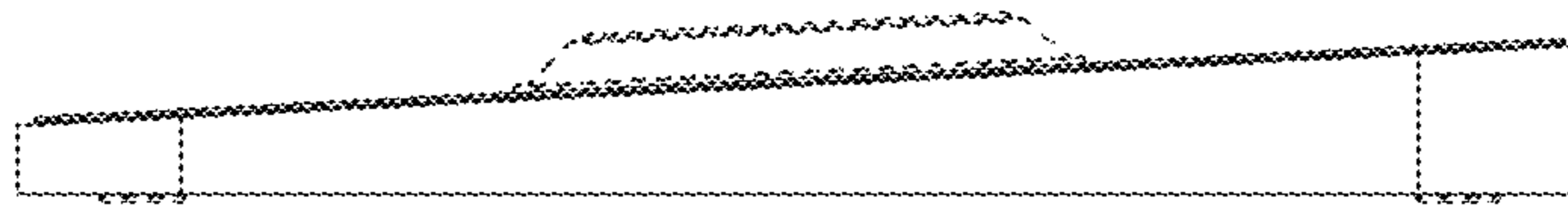


FIG. 4

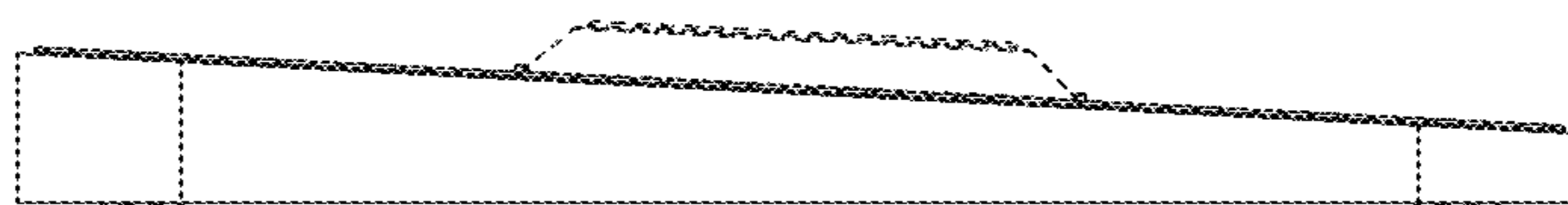


FIG. 5

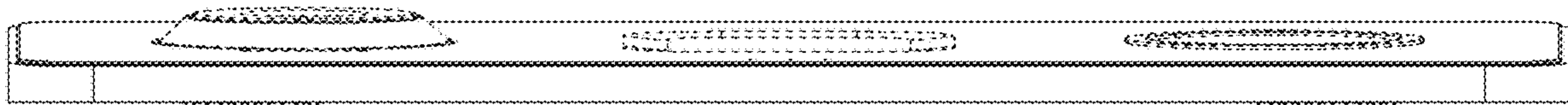


FIG. 6

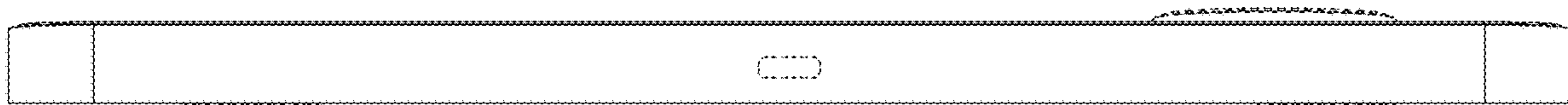


FIG. 7

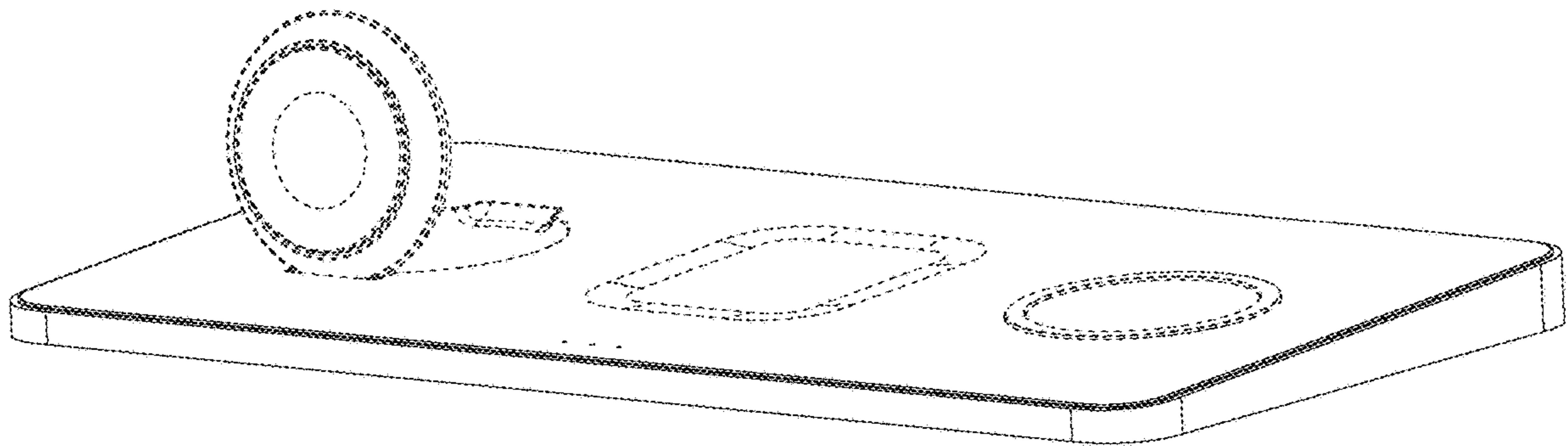


FIG. 8

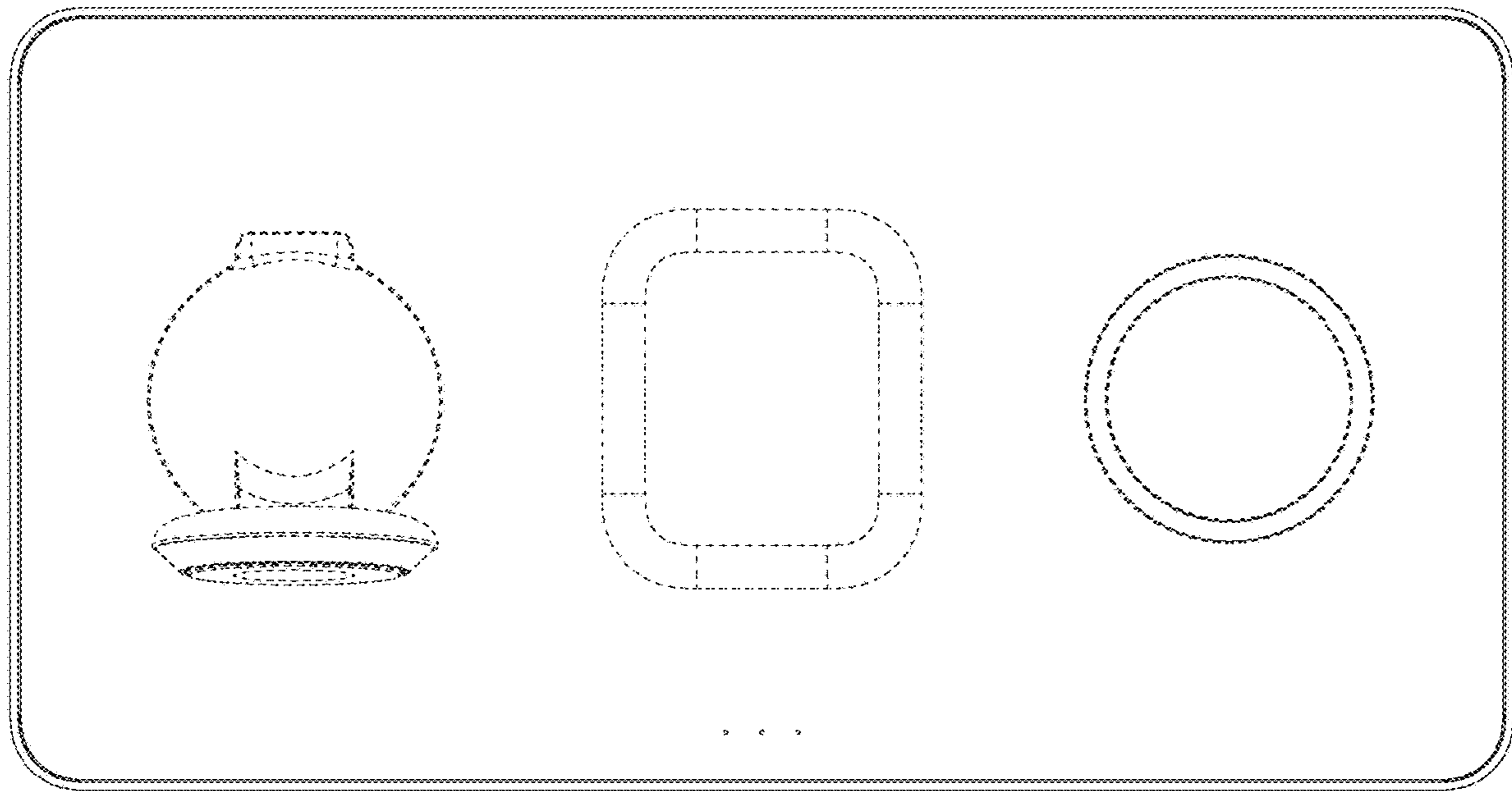


FIG. 9

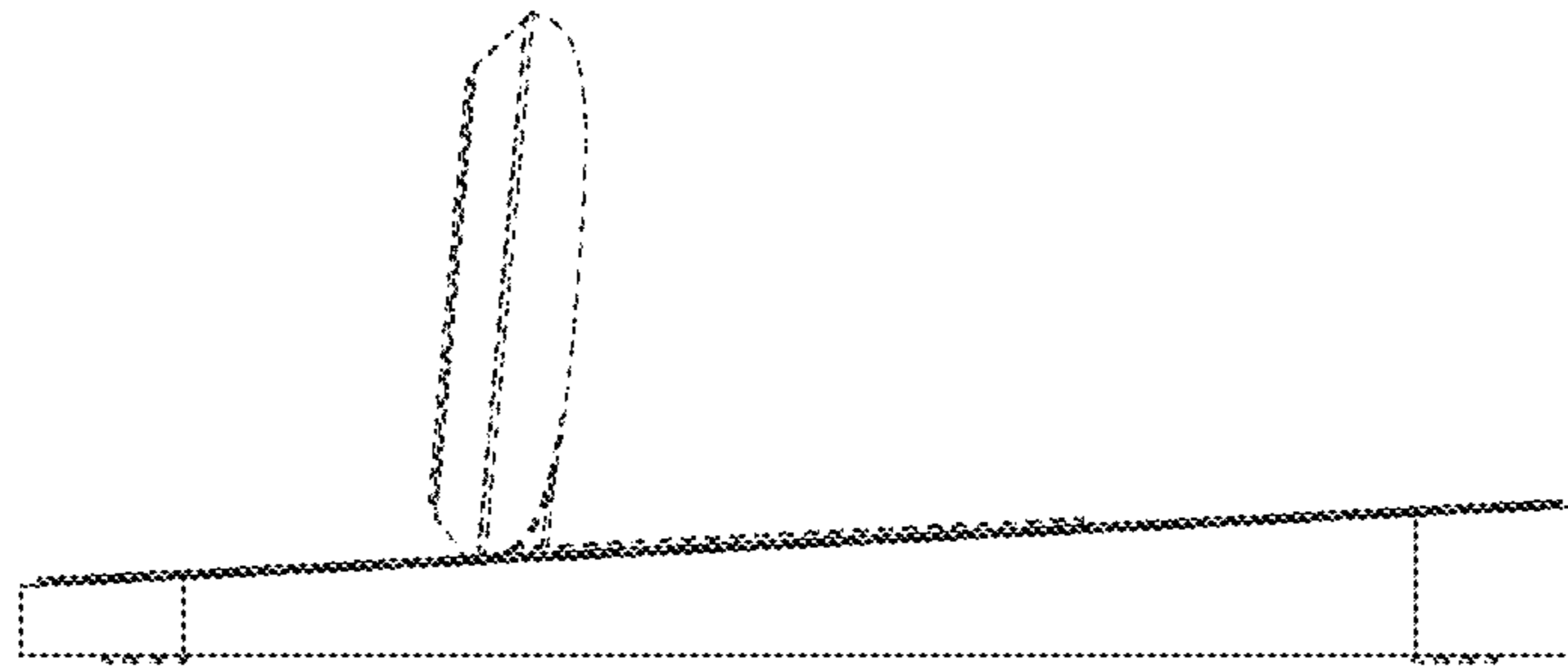


FIG. 10

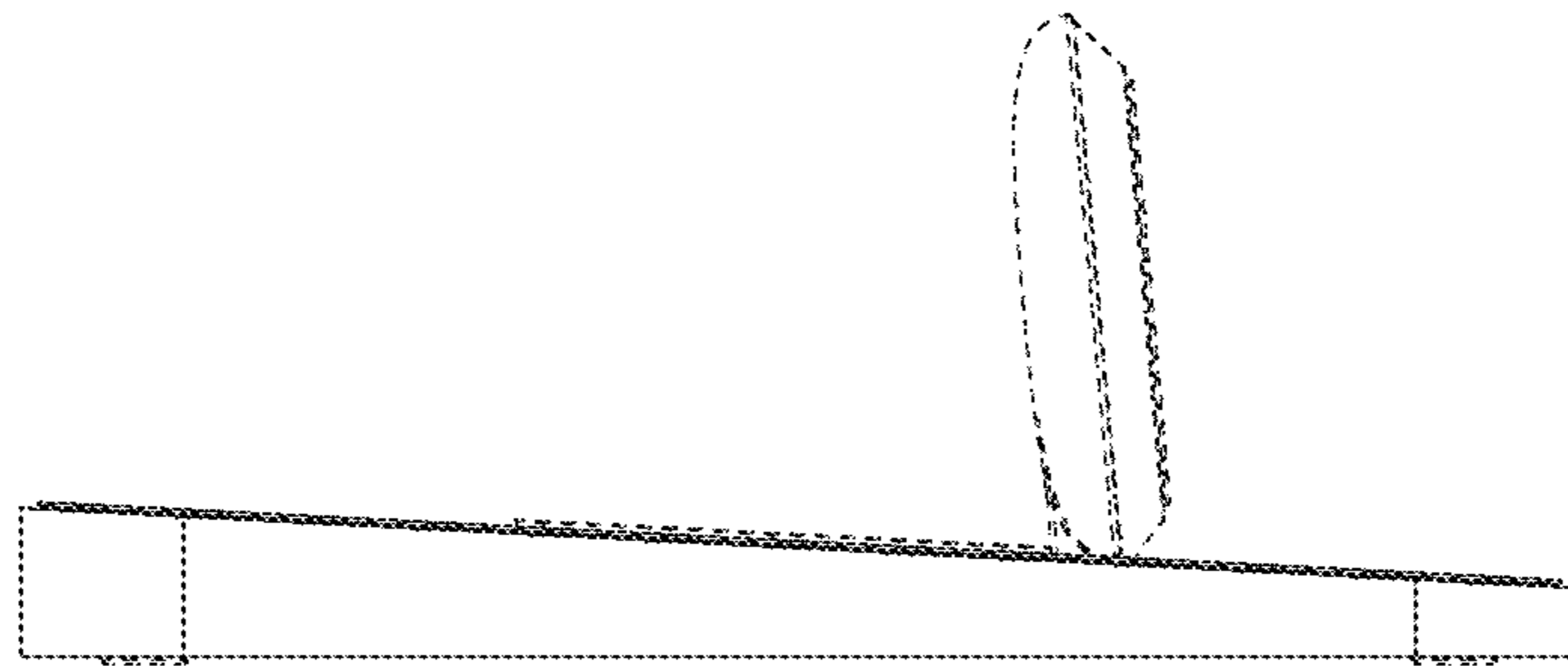


FIG. 11

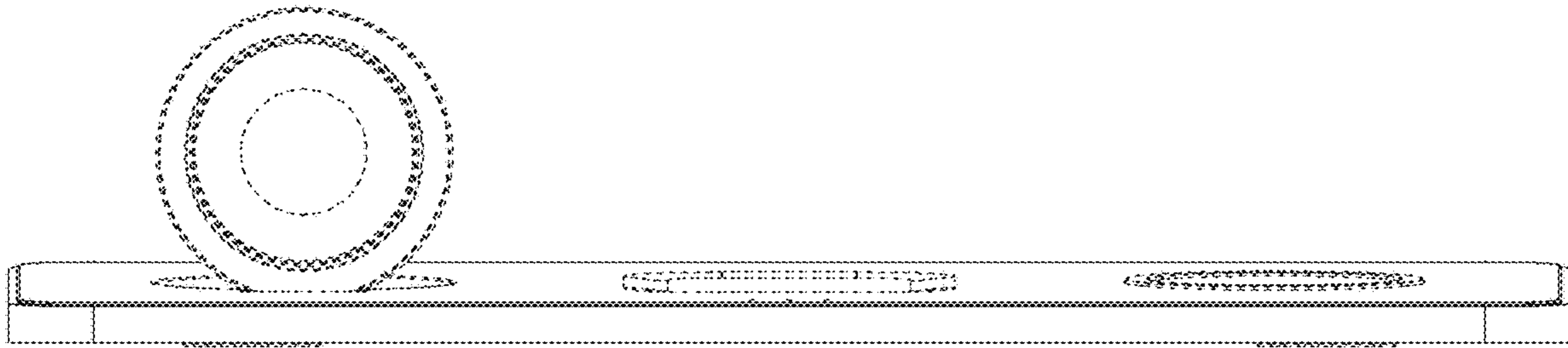


FIG. 12

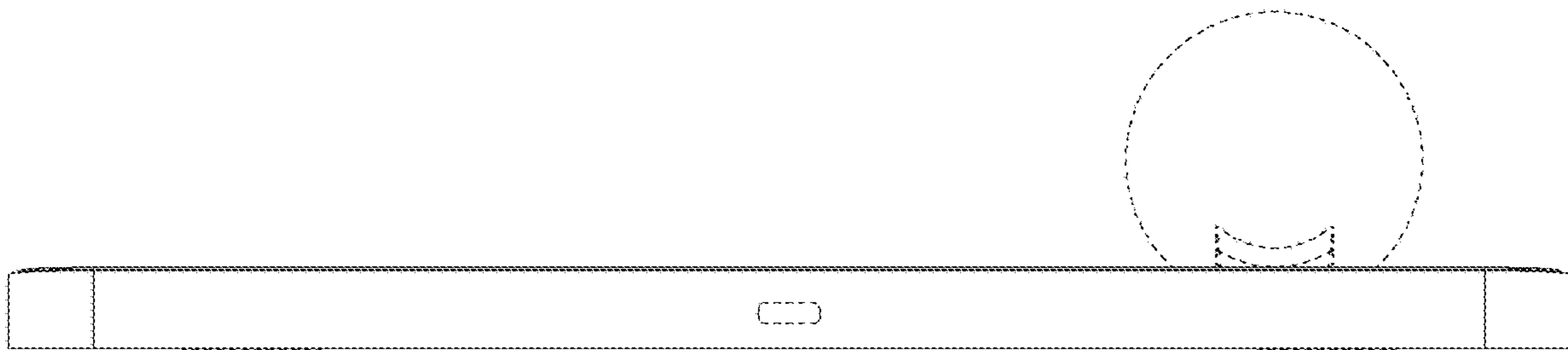


FIG. 13

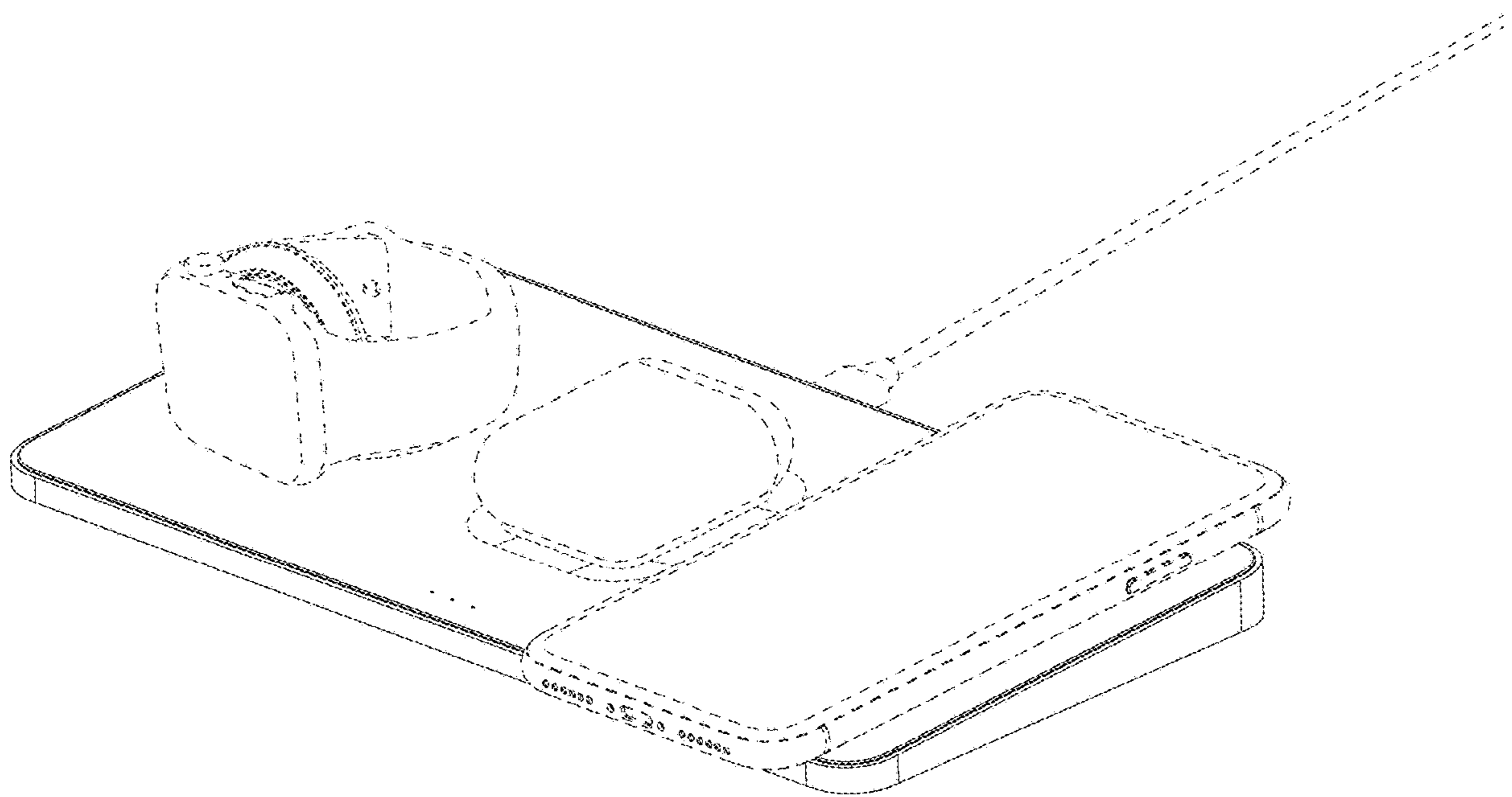


FIG. 14