



US00D957321S

(12) **United States Design Patent**
Shen et al.

(10) **Patent No.:** **US D957,321 S**
(45) **Date of Patent:** **** Jul. 12, 2022**

(54) **BATTERY**

(71) Applicant: **ZEBRA TECHNOLOGIES CORPORATION**, Lincolnshire, IL (US)

(72) Inventors: **Mu-Kai Shen**, Taipei (TW); **Andrew Ellis**, Kitchener (CA); **Xinghua Shi**, Milton (CA); **Yanjun Chen**, Shanghai (CN)

(73) Assignee: **Zebra Technologies Corporation**, Lincolnshire, IL (US)

(**) Term: **15 Years**

(21) Appl. No.: **29/745,640**

(22) Filed: **Aug. 7, 2020**

(51) **LOC (13) Cl.** **13-02**

(52) **U.S. Cl.**
USPC **D13/103**

(58) **Field of Classification Search**
USPC D13/103, 107, 108, 118, 119, 184;
D14/142, 149, 209.1, 251, 432, 433, 434,
D14/435.1, 480.1, 480.5, 480.6
CPC H02J 7/0044; H02J 50/00; H02J 7/02
See application file for complete search history.

(56) **References Cited**

U.S. PATENT DOCUMENTS

D333,651	S	*	3/1993	Itou	D13/108
D398,578	S	*	9/1998	Chambers	D13/103
D403,657	S	*	1/1999	Nuovo	D13/103
D406,560	S	*	3/1999	Lindahl	D13/103
D571,289	S		6/2008	Michaeli		
D581,866	S		12/2008	Choi et al.		
D650,325	S	*	12/2011	Kim	D13/103
D766,175	S	*	9/2016	Tsiopanos	D13/103
9,780,580	B1	*	10/2017	Drzymala	H02J 7/0027
D835,574	S	*	12/2018	Trongone	D13/103
D848,943	S	*	5/2019	Chojnowski	D13/103
D886,046	S	*	6/2020	Lim	D13/103

D922,941	S	*	6/2021	Antonio	D13/103
2011/0039143	A1	*	2/2011	Bacon	H01R 31/06 429/100
2014/0049208	A1	*	2/2014	Carkner	H01M 50/256 320/103

OTHER PUBLICATIONS

“Zebra Technologies Battery”. Found online Aug. 10, 2021 at newegg.com. Reference dated May 3, 2018. Retrieved from <https://www.newegg.com/p/16J-00ED-000J9>. (Year: 2018).*
“Zebra Spare Battery”. Found online Aug. 10, 2021 at shop.peaktech.com. Reference dated Sep. 30, 2019. Retrieved from https://tineye.com/search/f620d5b02e351e06251b1b54f5b9ae9ed1497c74?sort=crawl_date&order=asc&page=1. (Year: 2019).*
“Cameron Battery”. Found online Aug. 11, 2021 at amazon.com. Reference dated Oct. 12, 2016. Retrieved from <https://www.amazon.com/Cameron-Sino-2200mAh-Battery-DSS3478/dp/B01MDKYFS0>. (Year: 2016).*

* cited by examiner

Primary Examiner — Kendra Leslie Hamilton
Assistant Examiner — Amanda Christensen

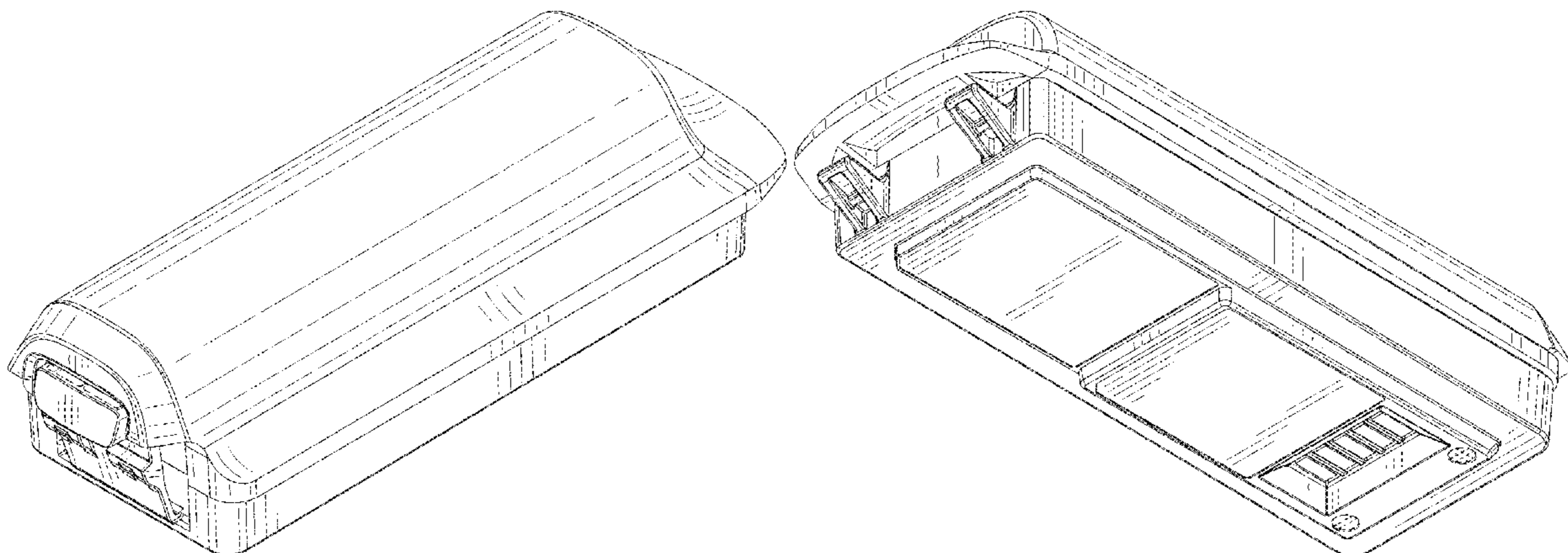
(57) **CLAIM**

We claim the ornamental design for a battery, as shown and described.

DESCRIPTION

FIG. 1 is a front, bottom, left side perspective view of a battery;
FIG. 2 is a rear, top, right perspective view thereof;
FIG. 3 is a bottom view thereof;
FIG. 4 is a top view thereof;
FIG. 5 is a left side view thereof;
FIG. 6 is a right side view thereof;
FIG. 7 is a front view thereof; and,
FIG. 8 is a rear view thereof.
The broken lines depict portions of the battery that form no part of the claimed design.

1 Claim, 8 Drawing Sheets



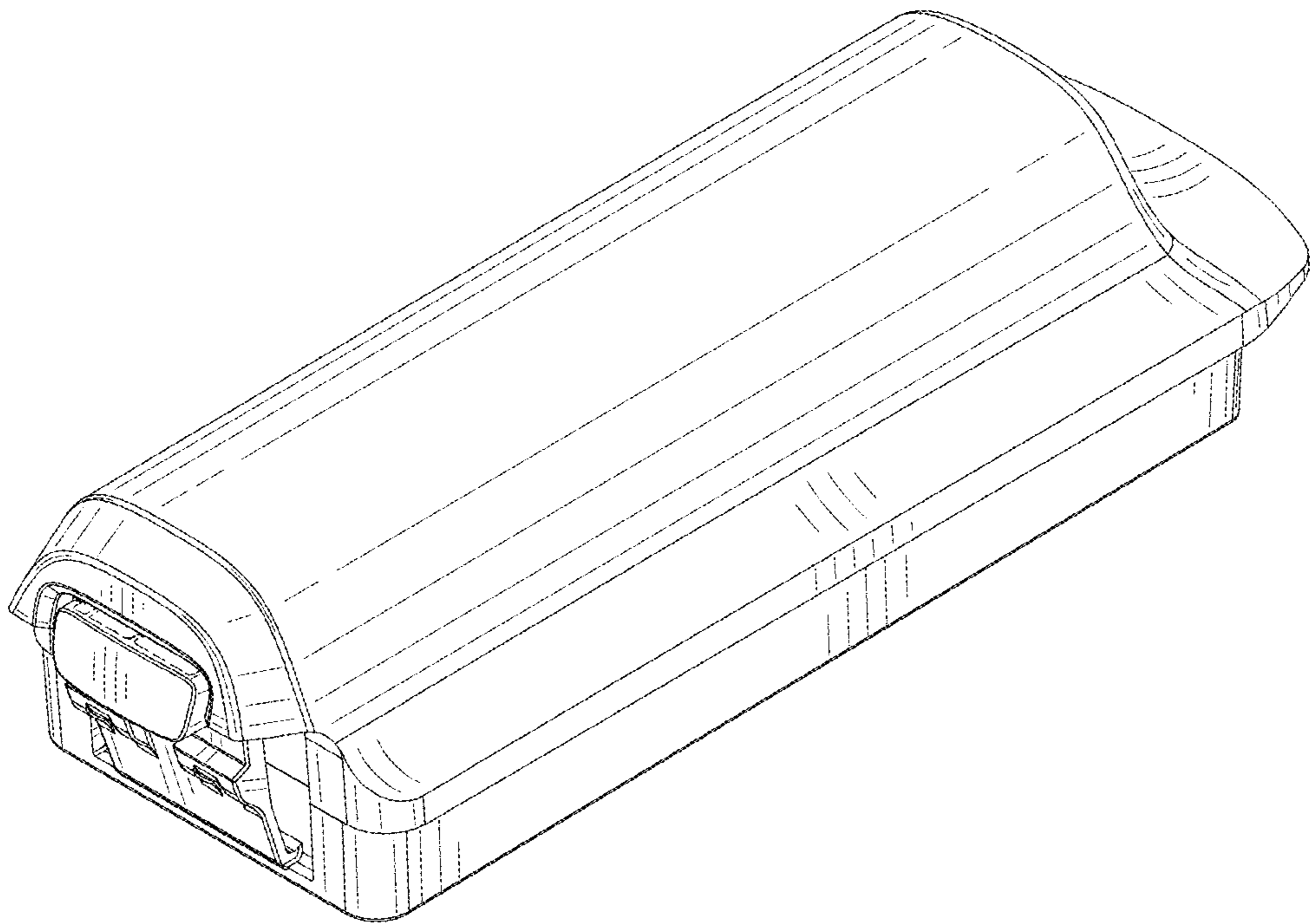


FIG. 1

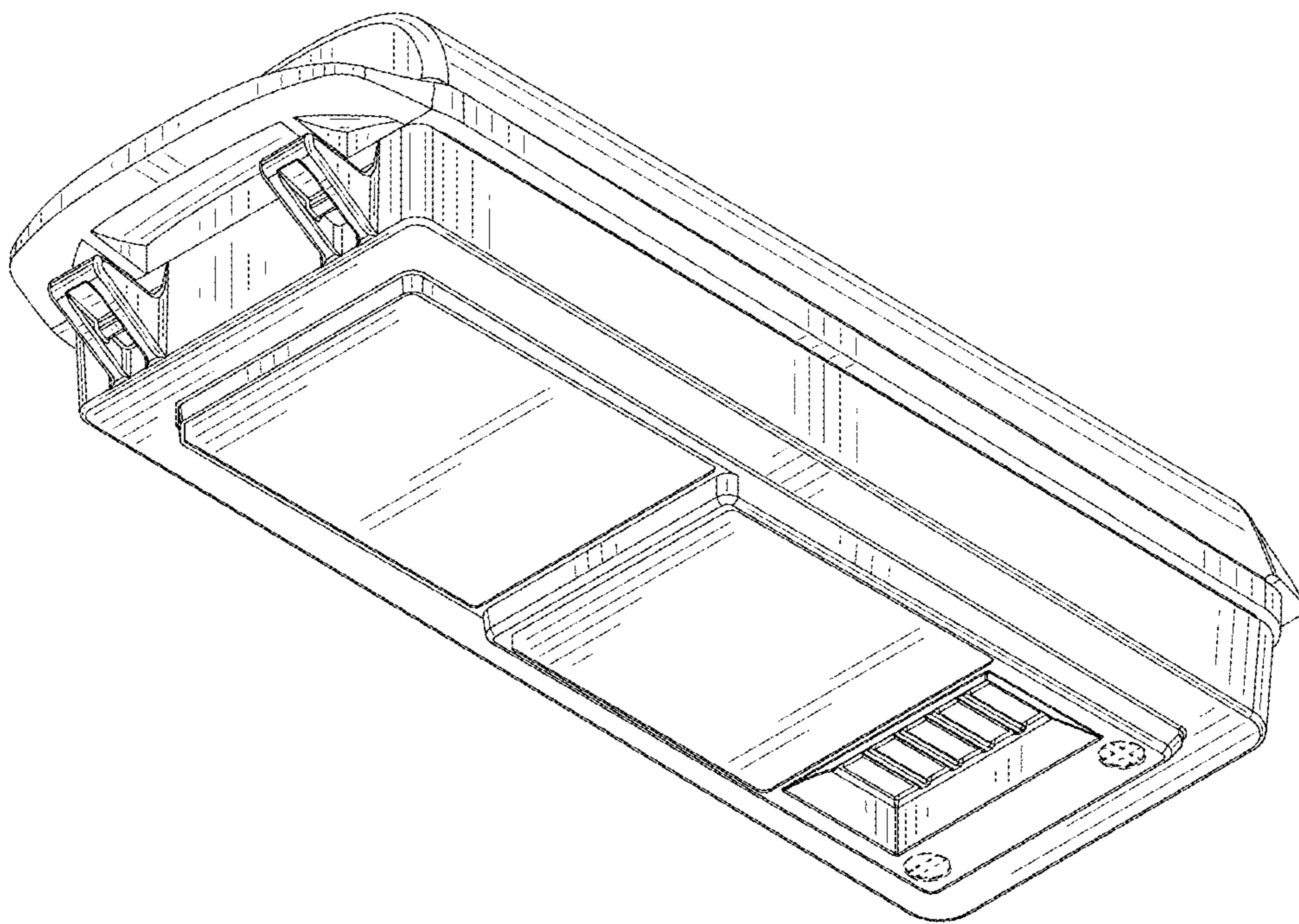


FIG. 2

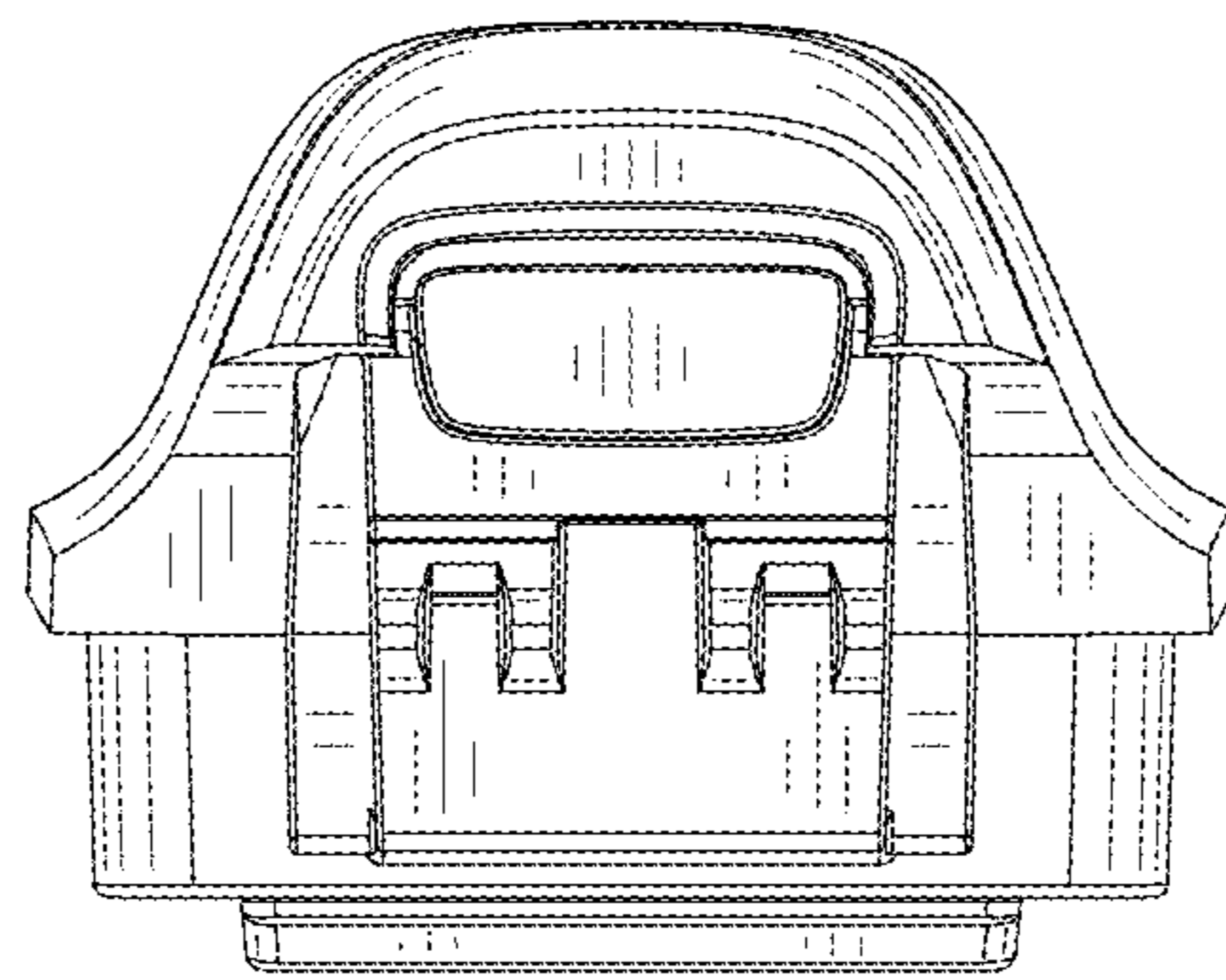


FIG. 3

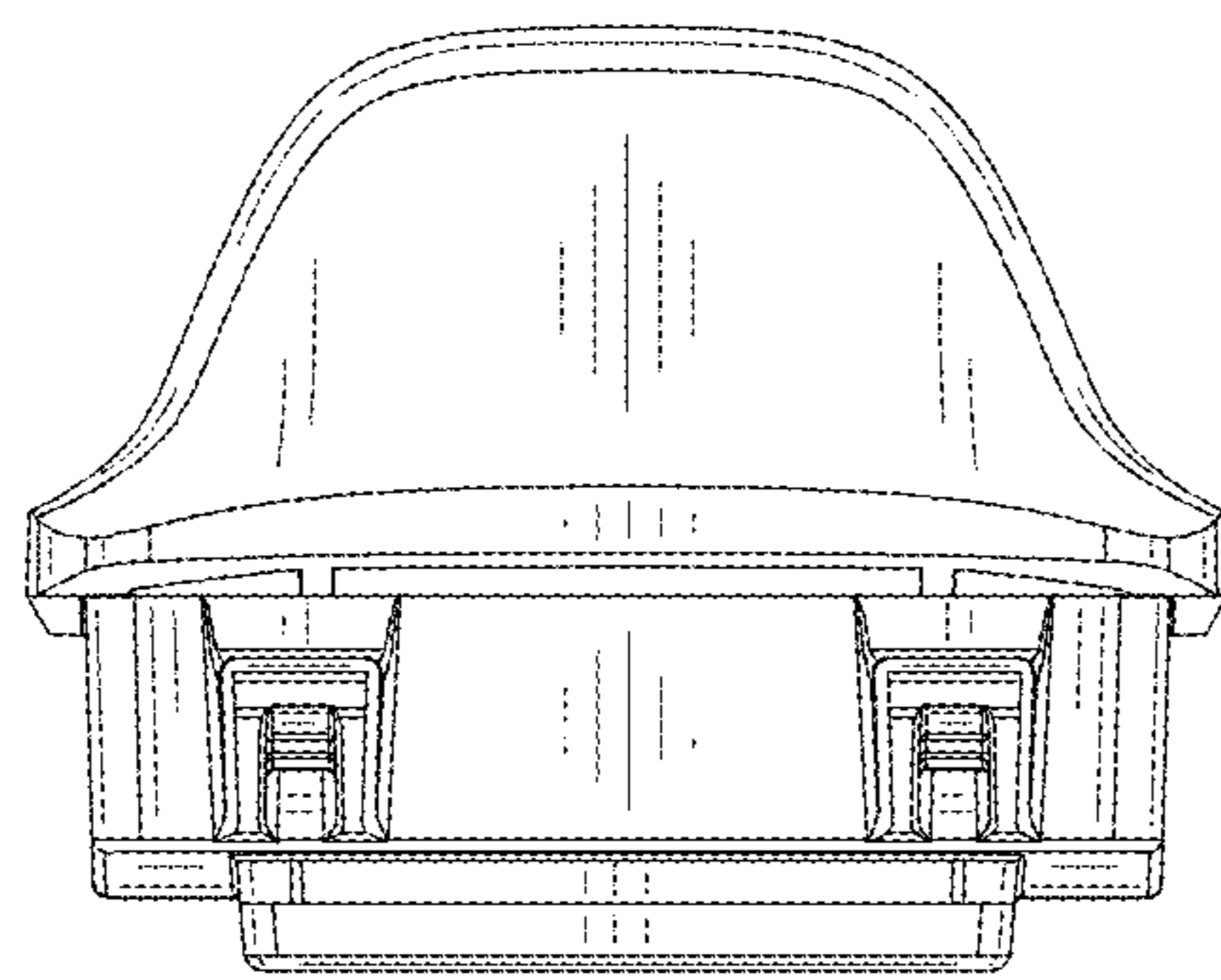


FIG. 4

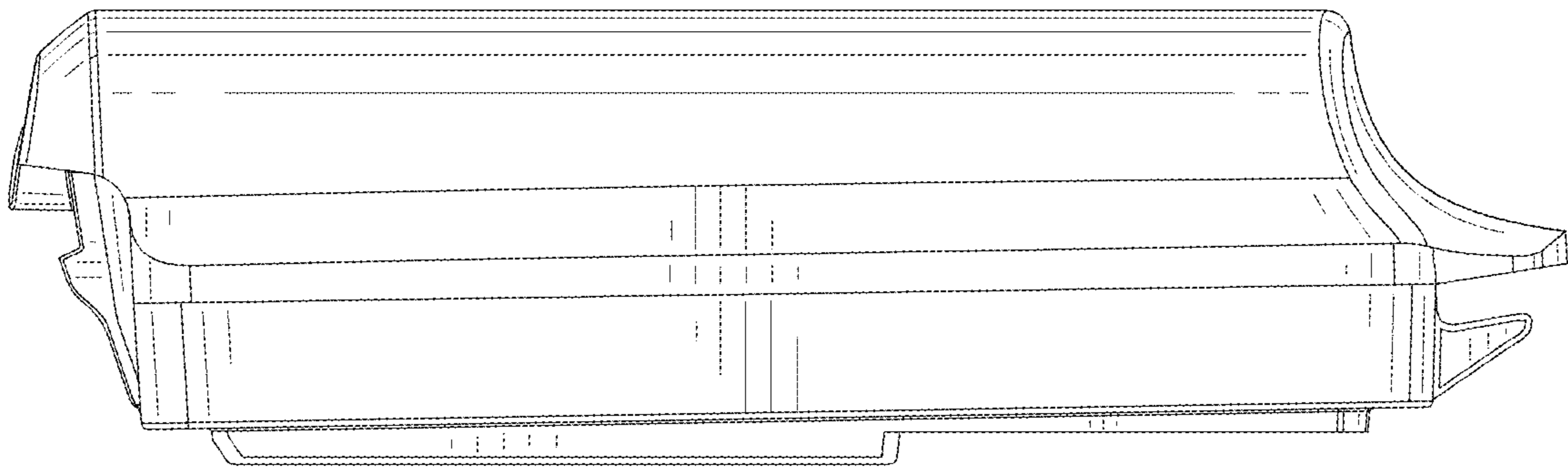


FIG. 5

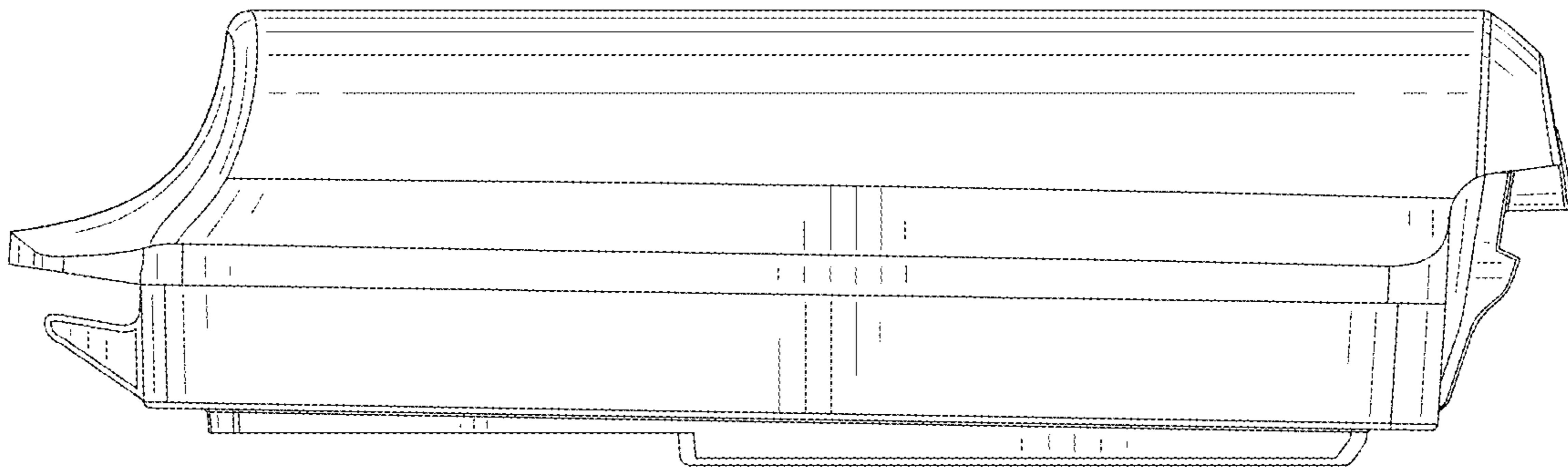


FIG. 6

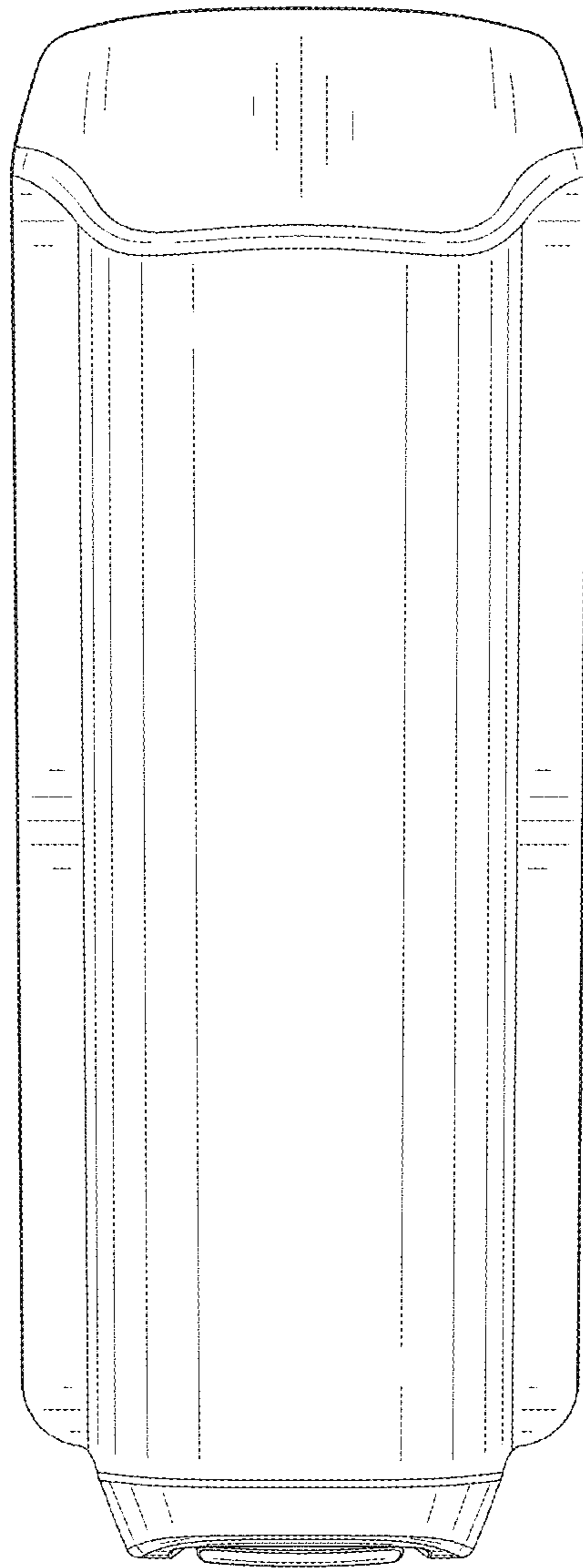


FIG. 7

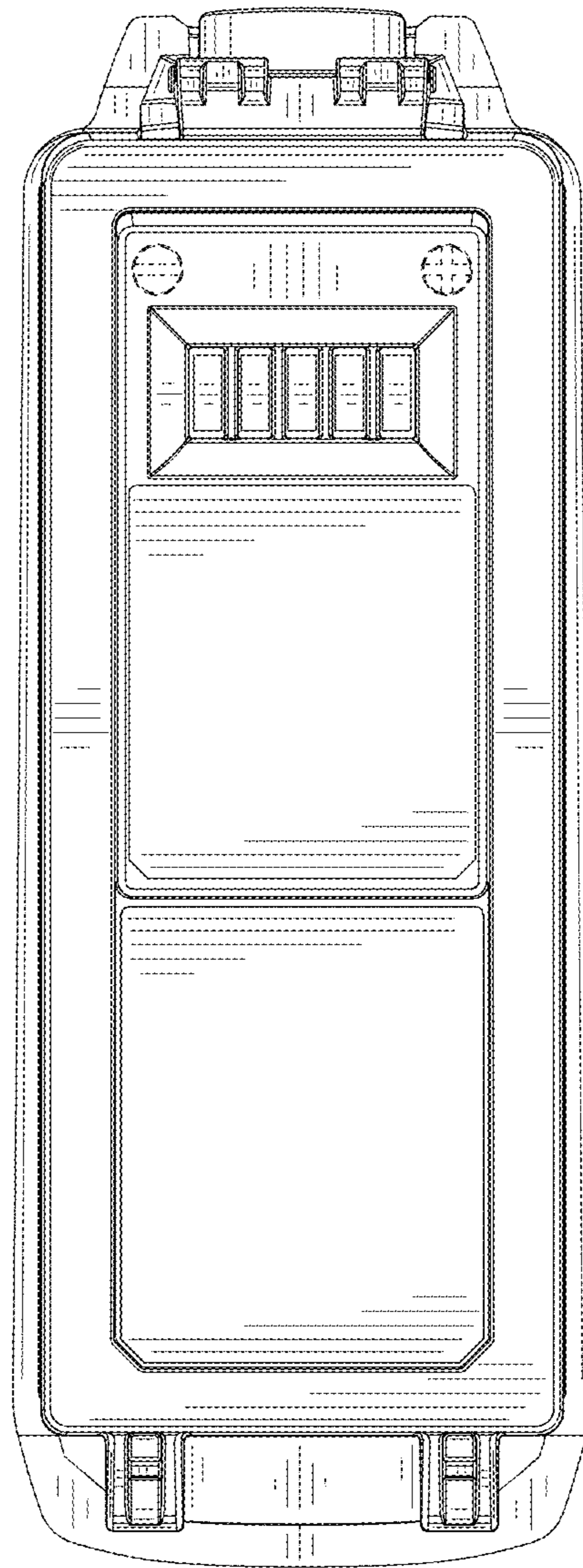


FIG. 8