



US00D957320S

(12) **United States Design Patent**
Liu

(10) **Patent No.:** **US D957,320 S**
(45) **Date of Patent:** **** Jul. 12, 2022**

(54) **BATTERY**

(71) Applicant: **Zhanyi Liu**, Guangdong (CN)

(72) Inventor: **Zhanyi Liu**, Guangdong (CN)

(**) Term: **15 Years**

(21) Appl. No.: **29/745,094**

(22) Filed: **Aug. 3, 2020**

(51) **LOC (13) Cl.** **13-02**

(52) **U.S. Cl.**
USPC **D13/103**

(58) **Field of Classification Search**
USPC D13/103, 106, 107, 108, 109, 110, 112,
D13/114, 116, 118, 119, 184, 199
CPC H01M 10/46; H02J 7/0044; F02B 63/04
See application file for complete search history.

(56) **References Cited**

U.S. PATENT DOCUMENTS

D301,228 S *	5/1989	Culbertson	D13/103
D614,125 S *	4/2010	Tinius	D13/103
D686,569 S *	7/2013	Lau	D13/103
8,741,474 B2 *	6/2014	Melnyk	H01M 50/20 429/178
D711,818 S *	8/2014	Maki	D13/103
D712,348 S *	9/2014	Zhang	D13/103
D841,572 S *	2/2019	Gilpatrick	D13/103
D861,594 S *	10/2019	Lai	D13/103
D891,363 S *	7/2020	Roberts	D13/103
D906,954 S *	1/2021	Ouyang	D13/103
D927,416 S *	8/2021	Chen	D13/103
2013/0162055 A1 *	6/2013	Reber	H02J 7/0042 307/150
2019/0133184 A1 *	5/2019	Chen	A24F 40/40

FOREIGN PATENT DOCUMENTS

CA 154149 * 7/2014

OTHER PUBLICATIONS

“Ego Battery with Fuel Gauge”. Found online Aug. 24, 2021 at walmart.com. Reference dated May 17, 2019. Retrieved from <https://www.walmart.com/ip/Ego-BA4200T-POWER-7-5Ah-Battery-with-Fuel-Gauge-BAT4200T/446698403> (Year: 2019).*

“Ruzixt Replacement Battery”. Found online Sep. 16, 2021 at amazon.com. Reference dated Oct. 10, 2020. Retrieved from https://www.amazon.com/dp/B08PBLZ1S3/ref=sspa_dk_detail_0. (Year: 2020).*

“Powerextra Replacement Battery”. Found online Aug. 24, 2021 at amazon.com. Reference dated Apr. 25, 2018. Retrieved from https://www.amazon.com/Powerextra-Replacement-Compatible-Greenworks-GBA80200/dp/B07CMY2C28/ref=psdc_552354_t3_B00SSBL0NE. (Year: 2018).*

* cited by examiner

Primary Examiner — Kendra Leslie Hamilton
Assistant Examiner — Amanda Christensen

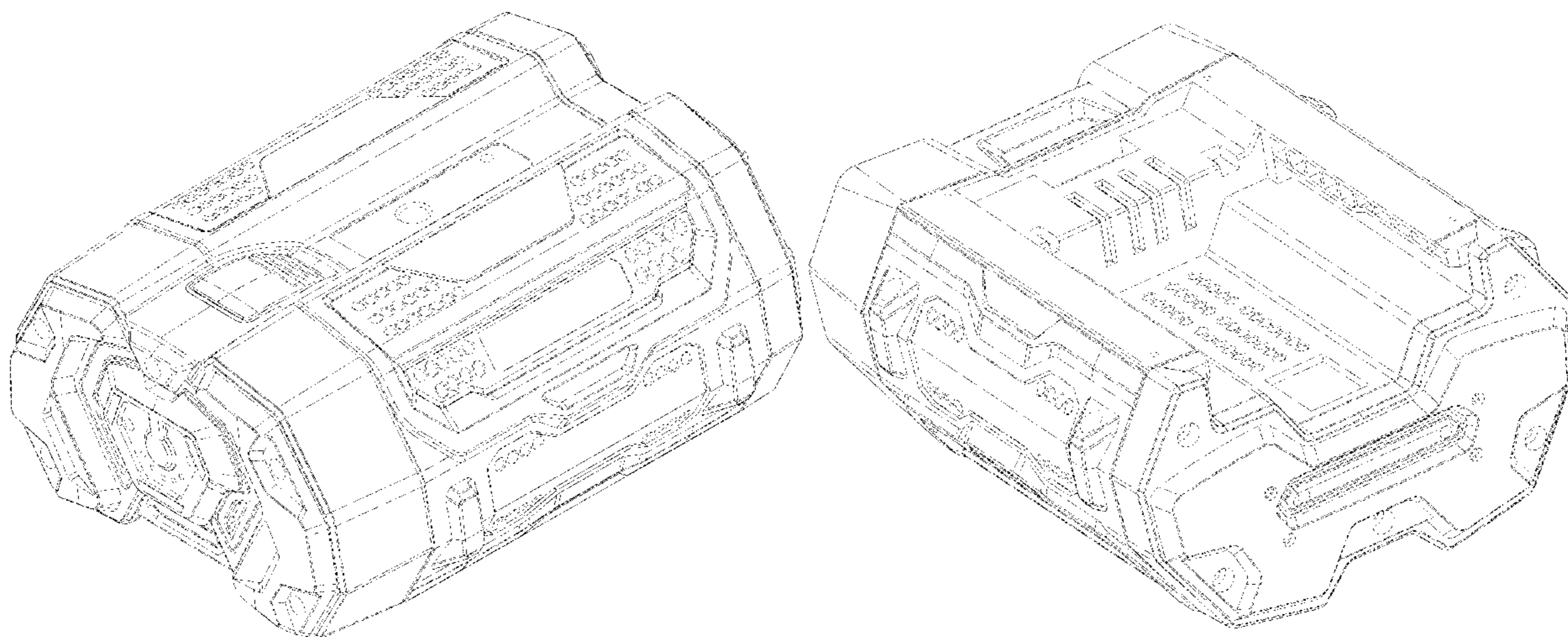
(57) **CLAIM**

The ornamental design for a battery, as shown and described.

DESCRIPTION

FIG. 1 is a front elevational view of a battery showing my new design;
FIG. 2 is a rear elevational view thereof;
FIG. 3 is a left side view thereof;
FIG. 4 is a right side view thereof;
FIG. 5 is a top plan view thereof;
FIG. 6 is a bottom plan view thereof;
FIG. 7 is a top, front, right side perspective view thereof; and,
FIG. 8 is a bottom, rear, left side perspective view thereof. The broken lines in the drawings depict portions of the battery that form no part of the claimed design.

1 Claim, 8 Drawing Sheets



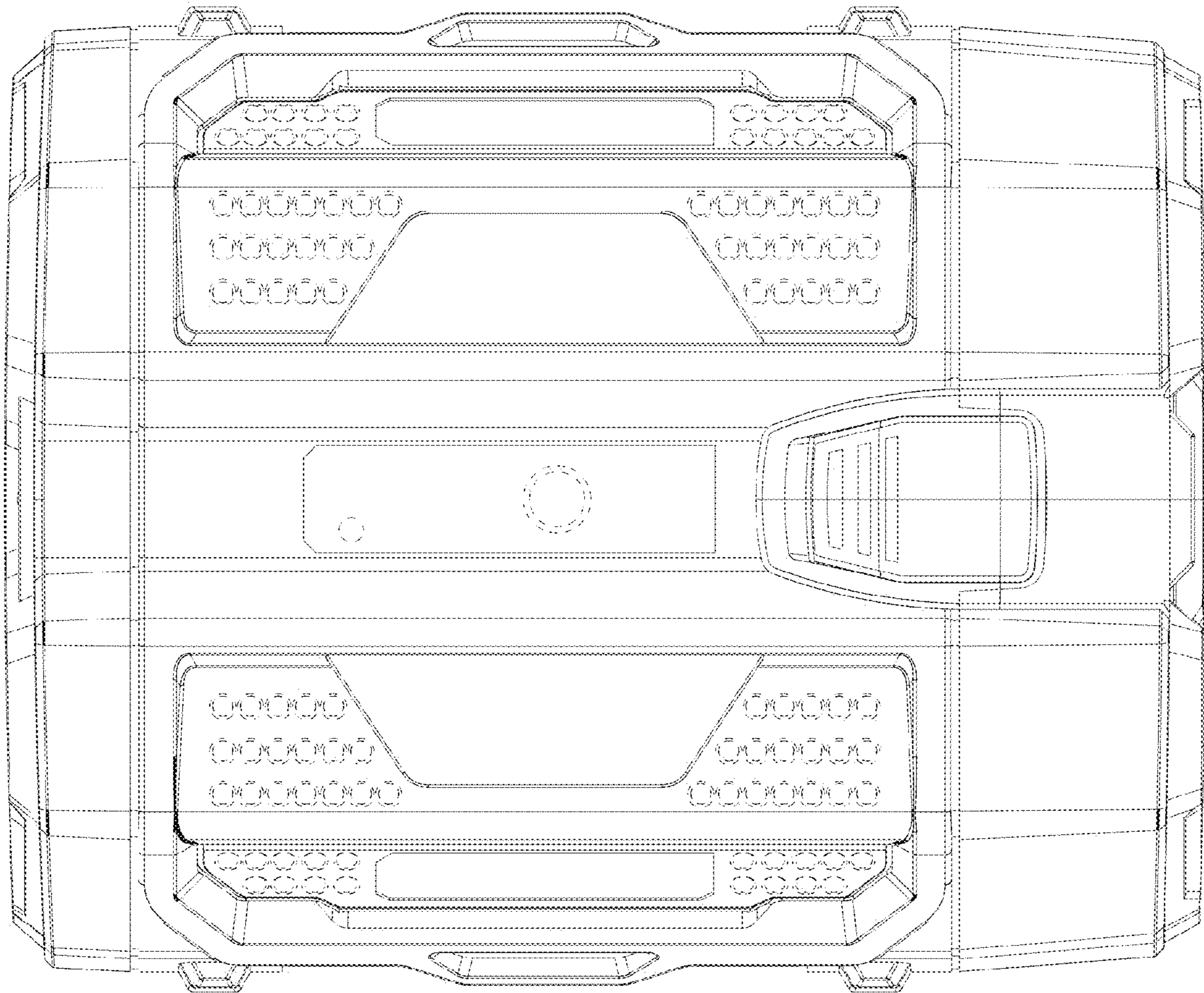


FIG.1

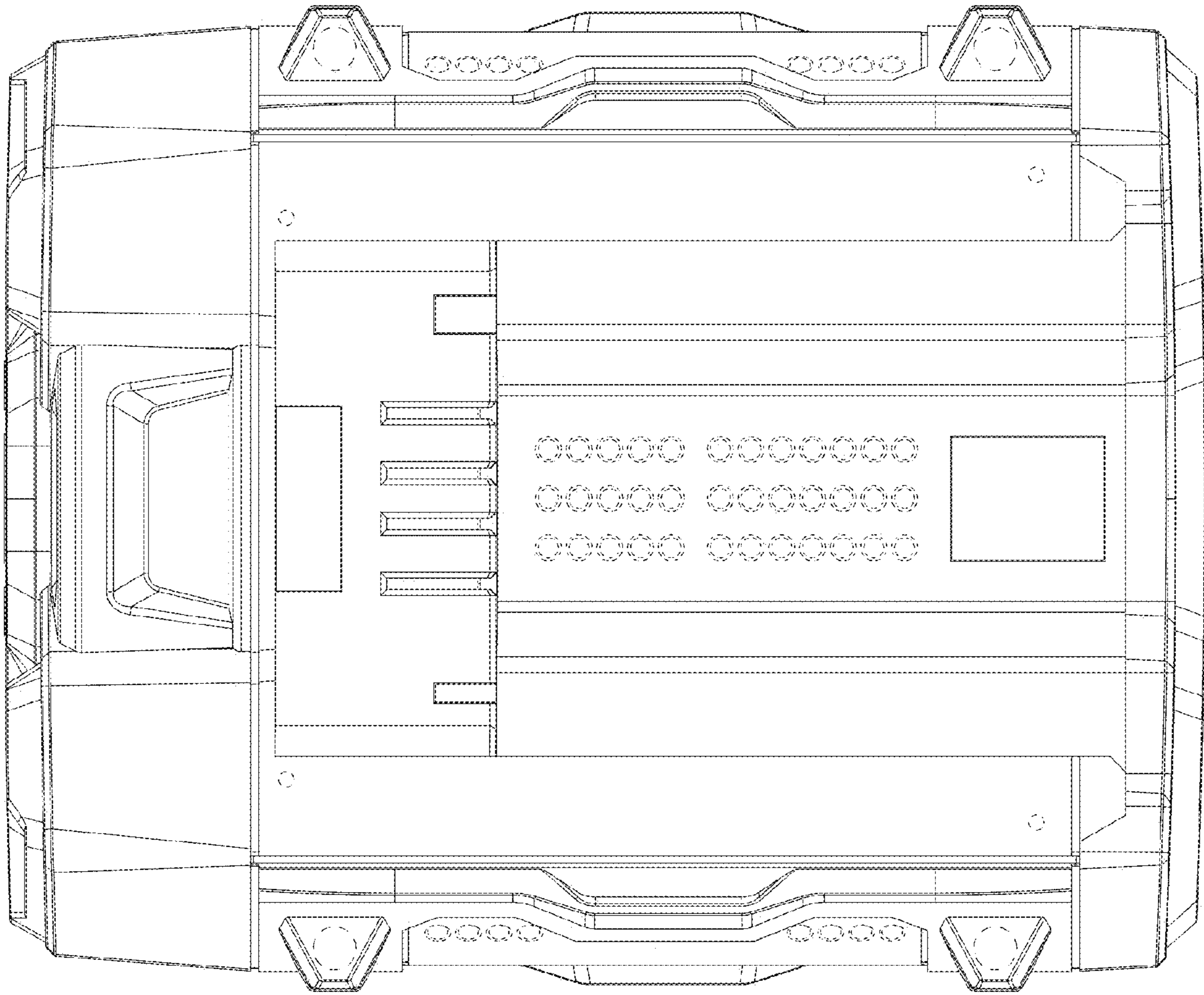


FIG.2

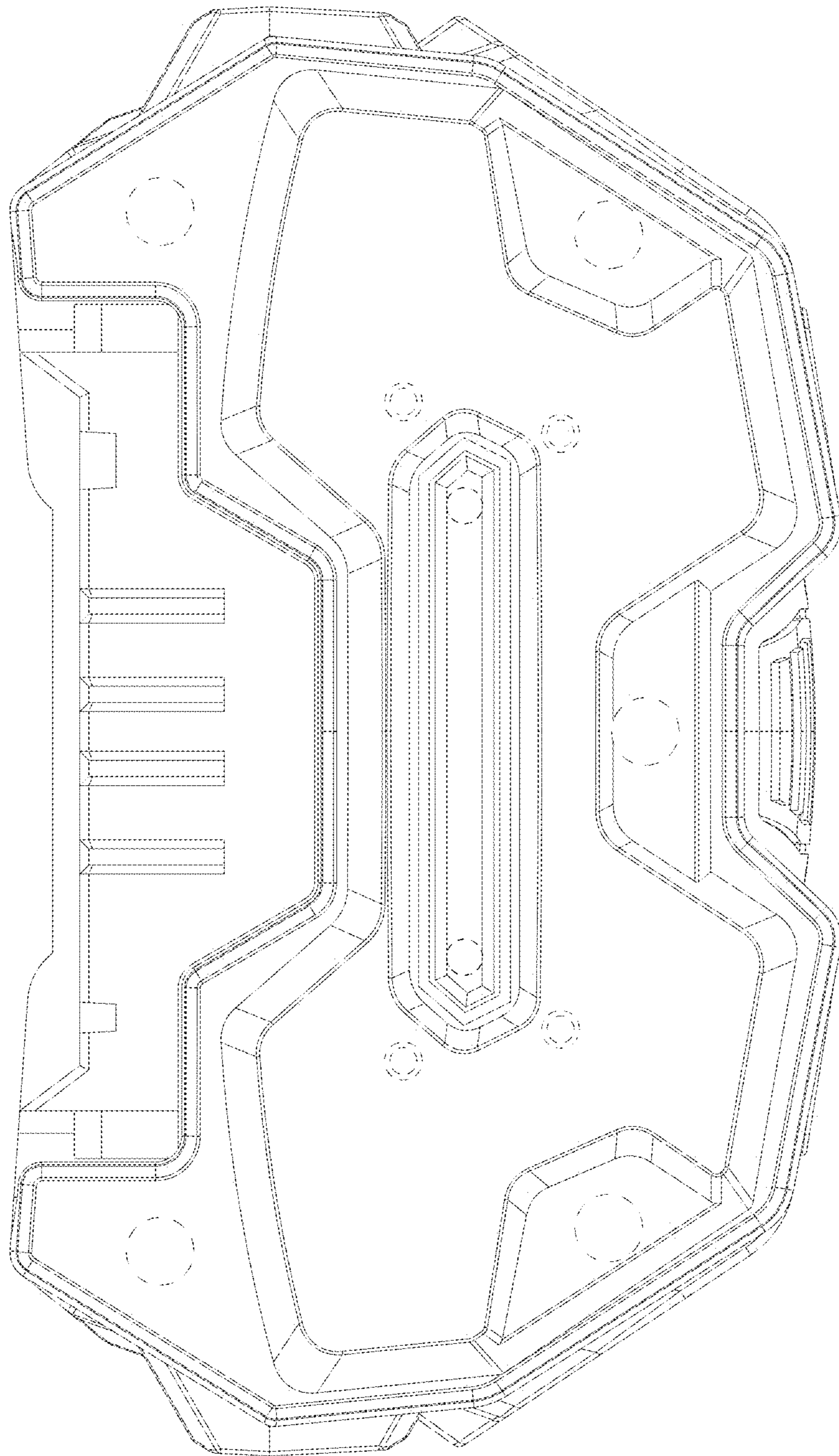


FIG.3

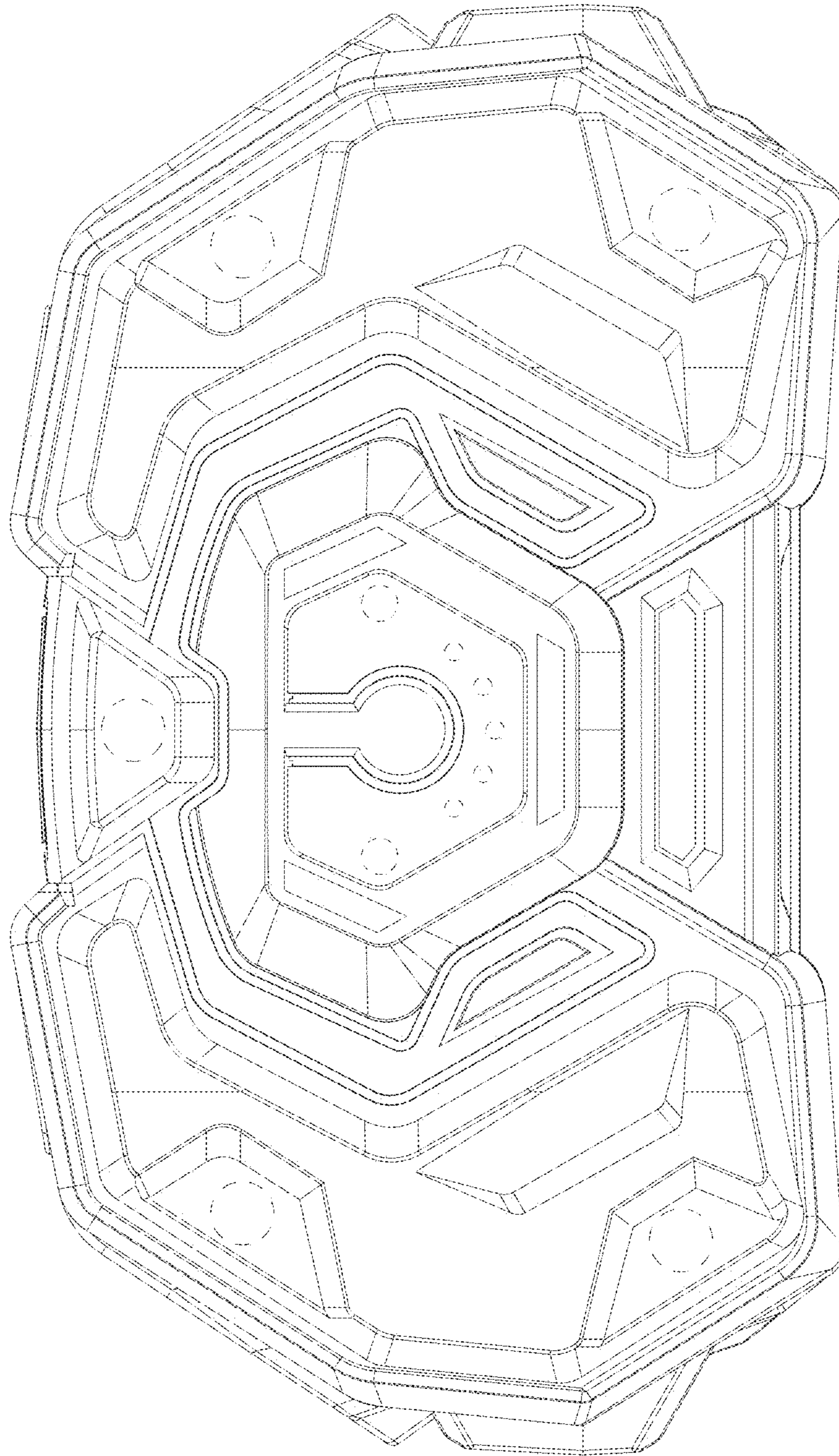


FIG.4

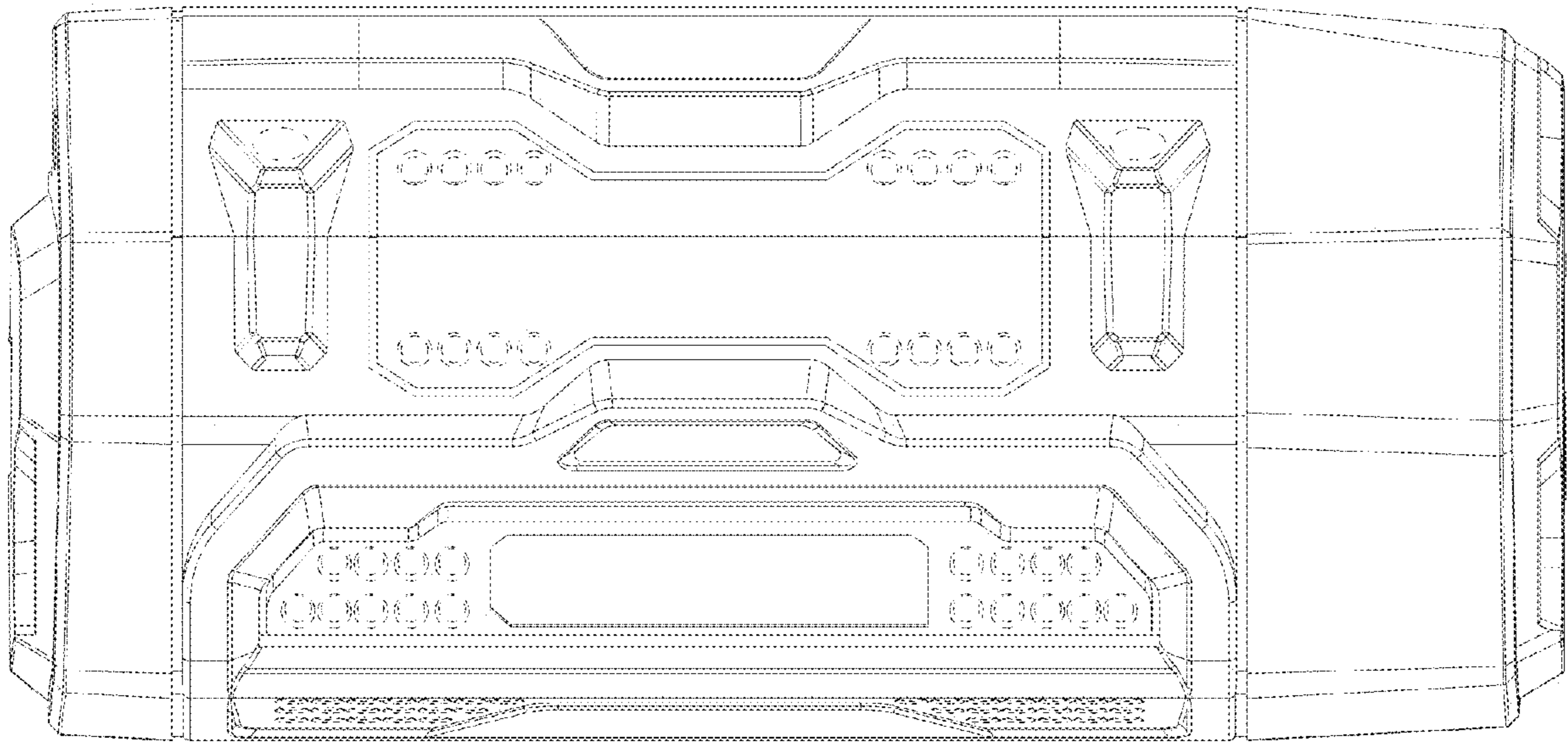


FIG.5

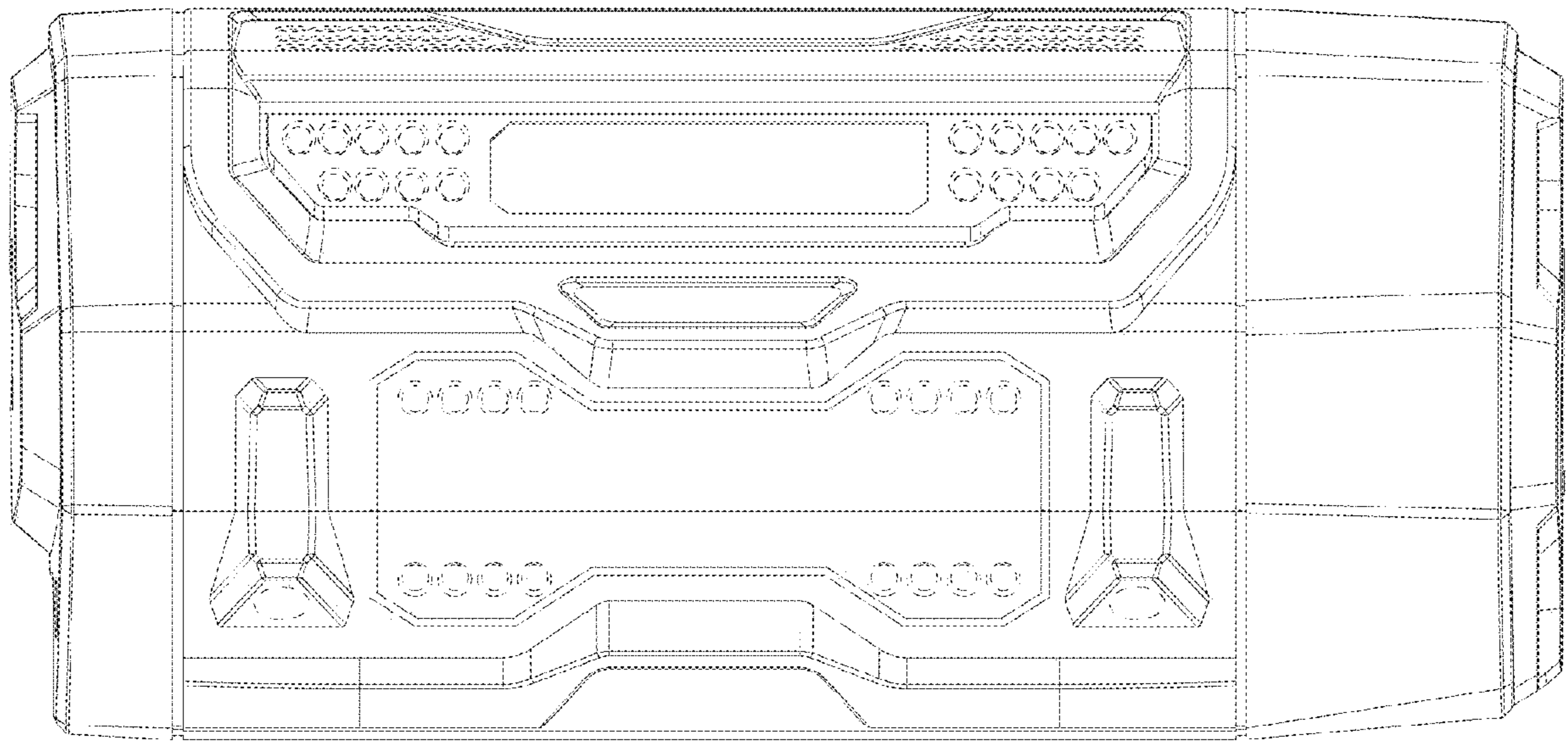


FIG.6

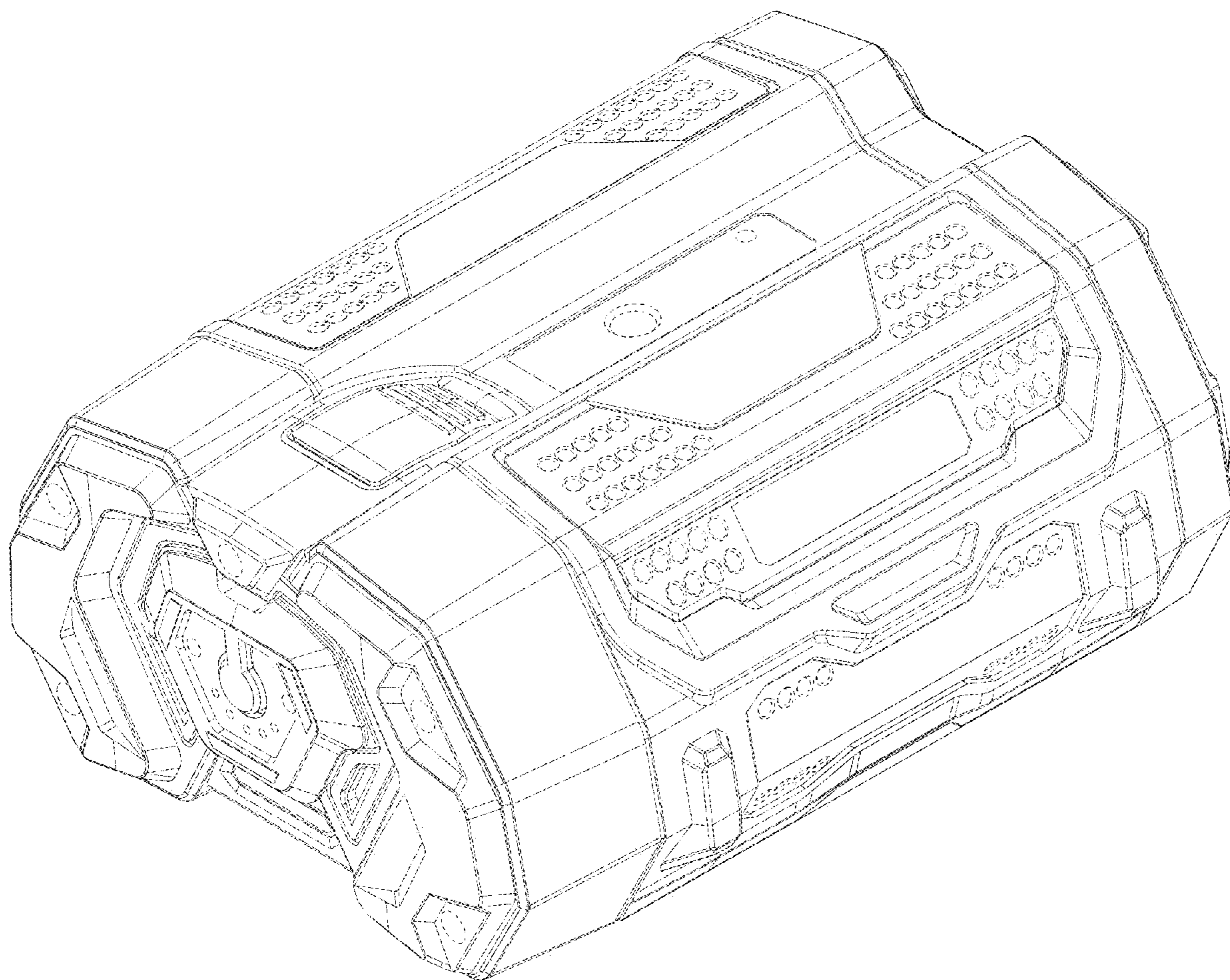


FIG.7

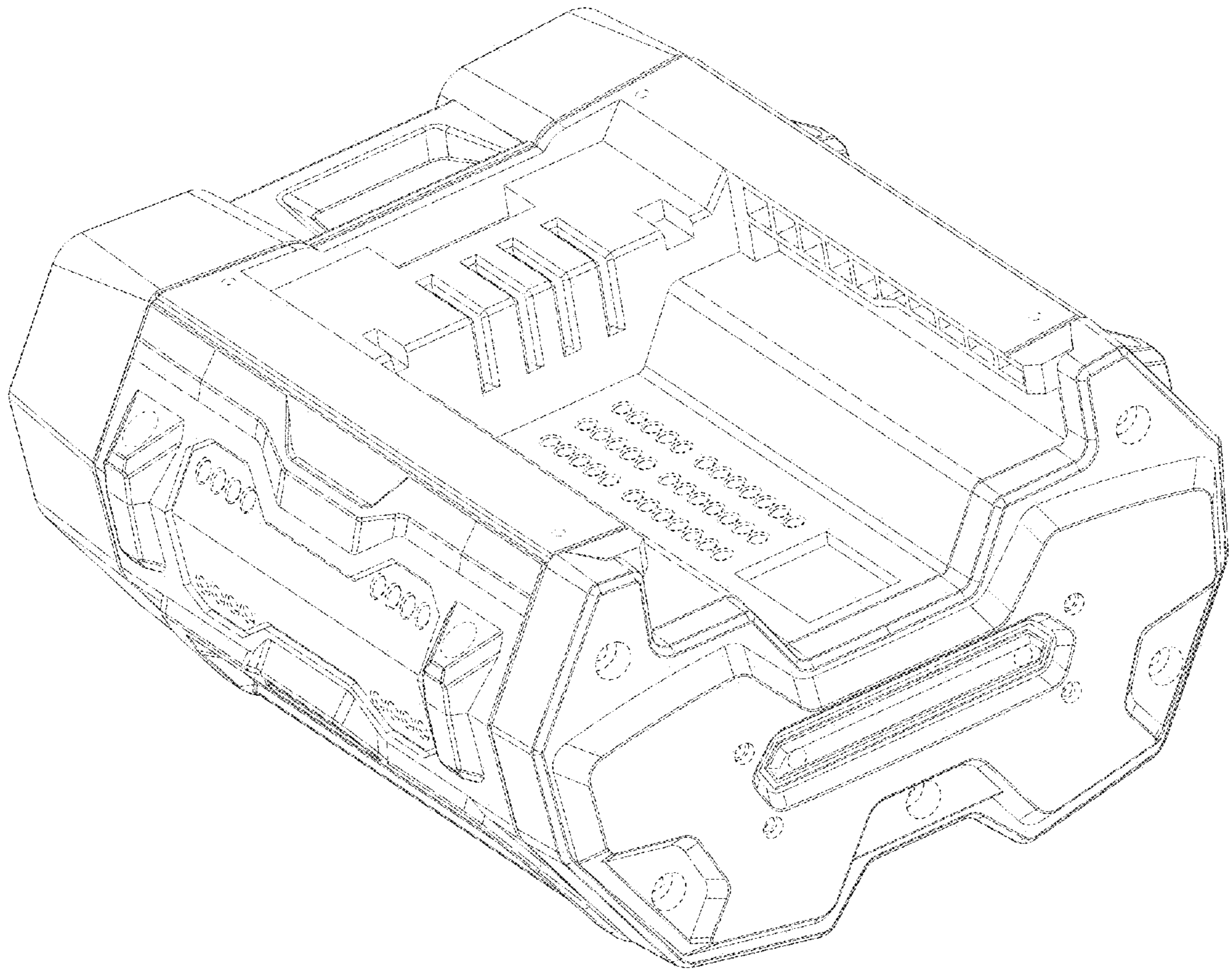


FIG.8