



US00D957319S

(12) **United States Design Patent** (10) **Patent No.:** **US D957,319 S**
Qu (45) **Date of Patent:** **** Jul. 12, 2022**

(54) **BATTERY BOX WITH SOLAR PANEL**

(71) Applicant: **Taizhou Ju mei Zhao ming technology Ltd**, Taizhou (CN)
(72) Inventor: **Dao Li Qu**, Taizhou (CN)
(73) Assignee: **TAIZHOU JU MEI ZHAO MING TECHNOLOGY LTD**, Taizhou (CN)

(**) Term: **15 Years**

(21) Appl. No.: **29/761,061**

(22) Filed: **Dec. 7, 2020**

(51) **LOC (13) Cl.** **13-04**

(52) **U.S. Cl.**
USPC **D13/102**

(58) **Field of Classification Search**
USPC D13/101, 102, 107, 110, 118, 133, 184
CPC H01L 31/02; H01L 31/18; H01L 31/042;
H01L 31/048; H01L 31/0525; H01L
31/0203; H01L 31/02008; H01L 31/0504;
H01L 31/02013; H01L 27/142; H01L
27/1421; Y02E 10/40; Y02E 10/47; Y02E
10/50; Y02E 10/52; Y02E 10/54; Y02E
10/542; Y02E 10/544; H02S 30/10; H02S
40/34; H02S 40/44

See application file for complete search history.

(56) **References Cited**

U.S. PATENT DOCUMENTS

D689,817 S *	9/2013	Sun	D13/102
D697,864 S *	1/2014	McGrath	D13/102
D806,931 S *	1/2018	Hui	D26/102
D812,668 S *	3/2018	Elie	D16/202
D817,867 S *	5/2018	Kojima	D13/102
D833,969 S *	11/2018	Kojima	D13/102
D841,571 S *	2/2019	Zhou	D13/102
D900,371 S *	10/2020	Zhong	D26/51
D908,609 S *	1/2021	Zhu	D13/102
D920,899 S *	6/2021	Weng	D13/102
D940,063 S *	1/2022	Wen	D13/102
D940,064 S *	1/2022	Wen	D13/102
D943,508 S *	2/2022	Zhou	D13/102

OTHER PUBLICATIONS

Solar Battery Box. Design—© Questel) orbit.com. [Online PDF compilation of references] 13 pgs. Print Dates Range Feb. 23, 2019-Jul. 5, 2016 [Retrieved Feb. 25, 2022].*
Solar Led Step Light Kit Auto Timer Control. Aug. 25, 2017. Amazon. <https://www.amazon.com/dp/B0754Q6JJC?SubscriptionId=AKIAJPZLBECZNBCPHMZQ&tag=brksk-20&linkCode=xm2&camp=2025&creative=386001#aod>.*
12 Volt AC Photocell Sensor. Before Apr. 16, 2014. TJB. <https://shop.tjb-inc.com/12-volt-ac-photocell-sensor-with-digital-timer-quick-connectors-by-aquascape-p1744.aspx>.*
Garden Decor Outdoor Lamp String. Before Oct. 4, 2021. Ali Express, https://www.aliexpress.com/item/1005002506014395.html?dp=420557-139945.1621335&aff_fcid=8024481e4edd4896bce499f2b105eb6f-1645832692450-04559&aff_fsk&aff_platform=api-new-product-detail&sk&aff_trace_key=8024481e4edd4896bce499f2b105eb6f-164583269245.*

* cited by examiner

Primary Examiner — Manpreet S Matharu
Assistant Examiner — Suzanne E Tisdell
(74) *Attorney, Agent, or Firm* — WPAT, PC

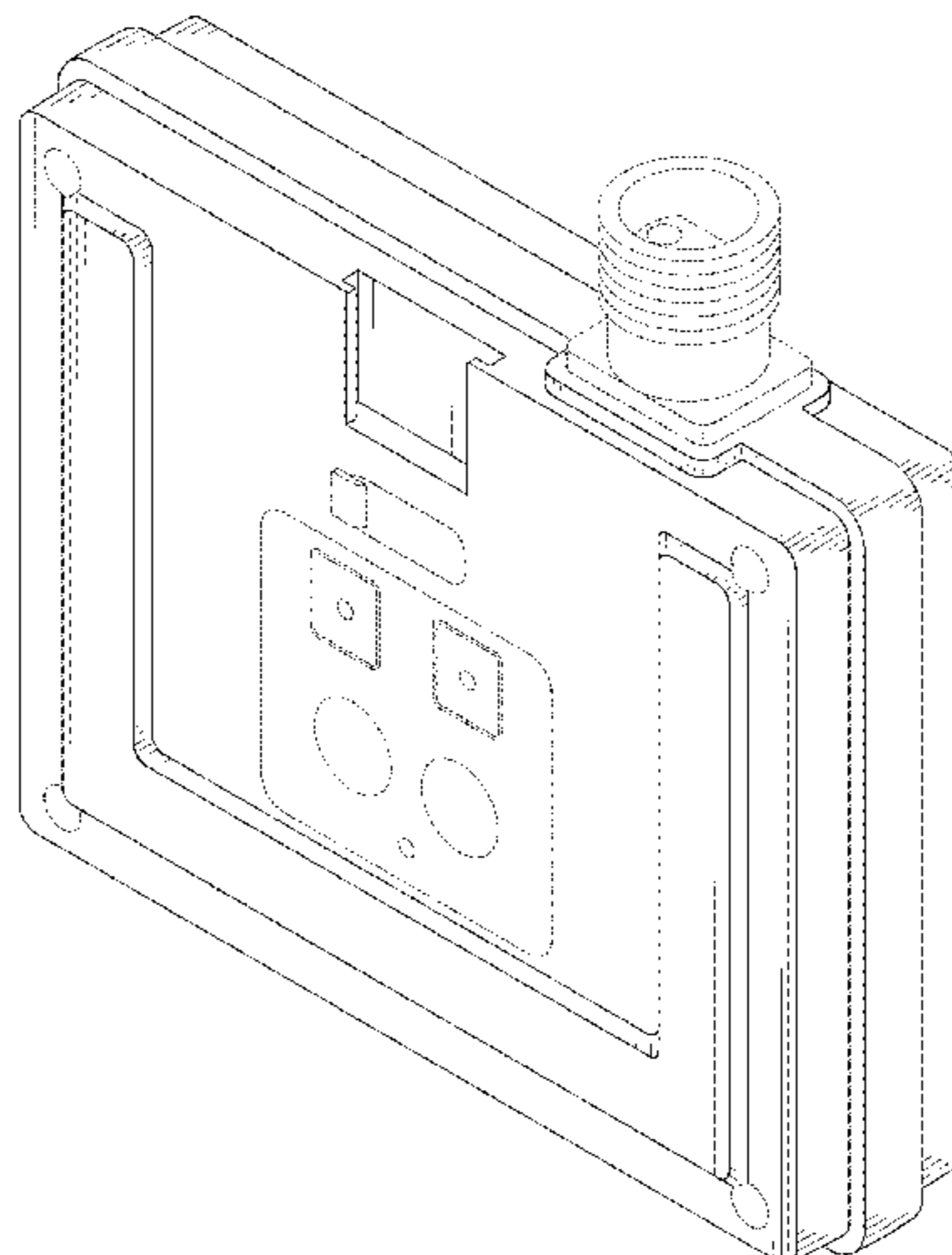
(57) **CLAIM**

The ornamental design for a battery box with solar panel, as shown and described.

DESCRIPTION

FIG. 1 is a perspective view of a battery box with solar panel, showing our new design;
FIG. 2 is a front view thereof;
FIG. 3 is a rear view thereof;
FIG. 4 is a left side view thereof;
FIG. 5 is a right side view thereof;
FIG. 6 is a top plan view thereof; and,
FIG. 7 is a bottom plan view thereof.
The broken line shown are included for the purpose of illustrating portions of the battery box with solar panel which form no part of the claimed design.

1 Claim, 5 Drawing Sheets



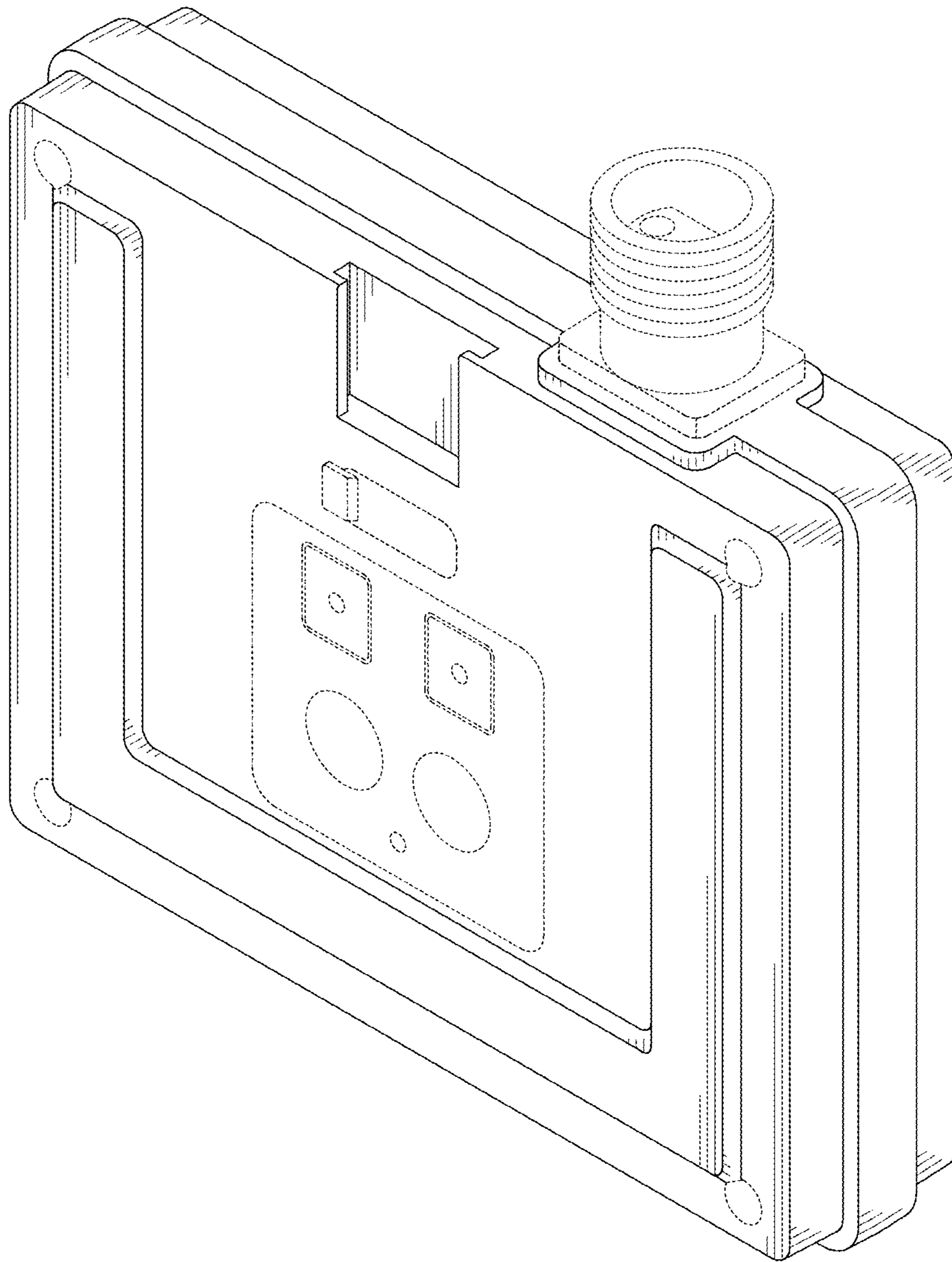


FIG. 1

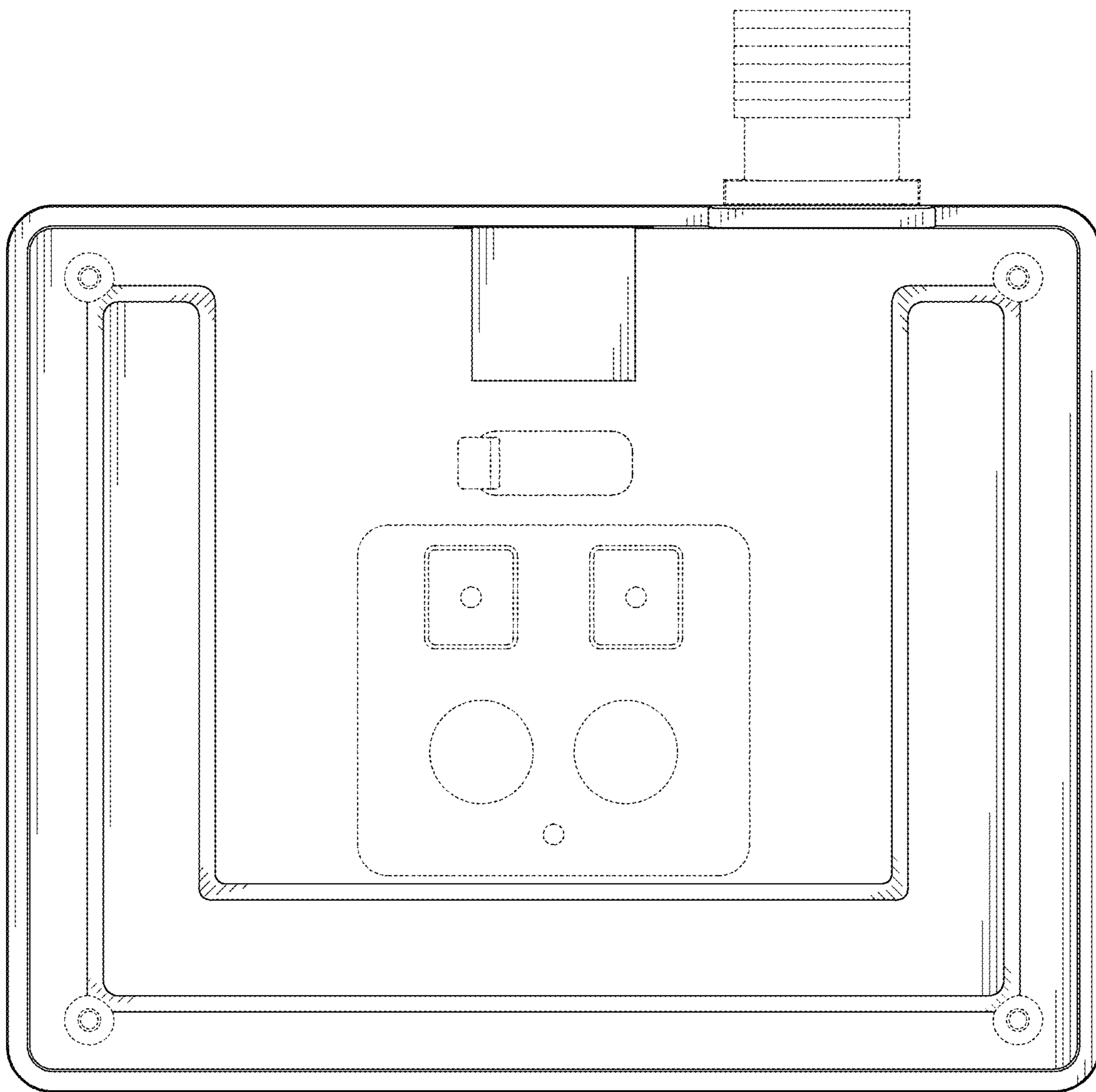


FIG. 2

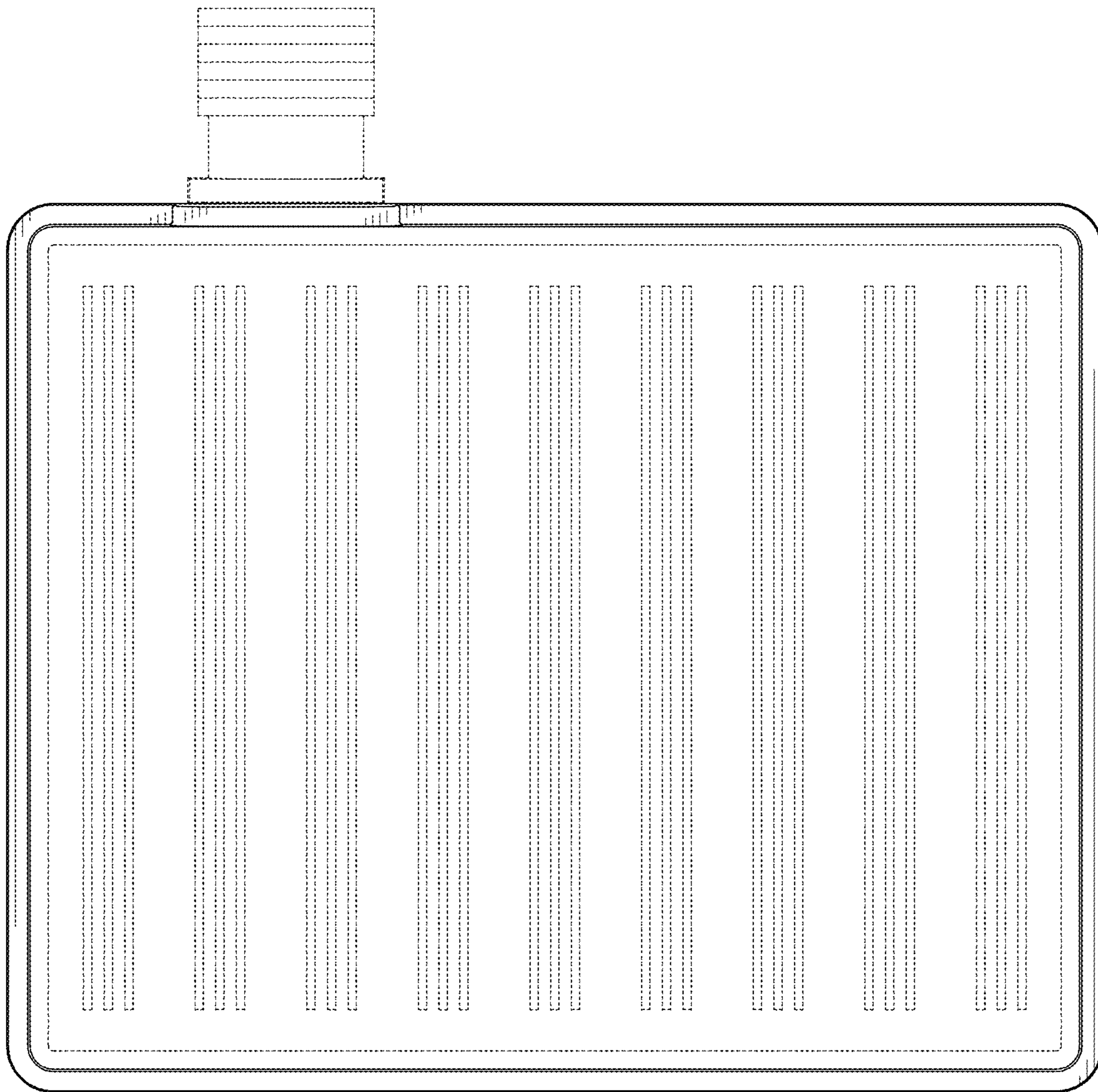


FIG. 3

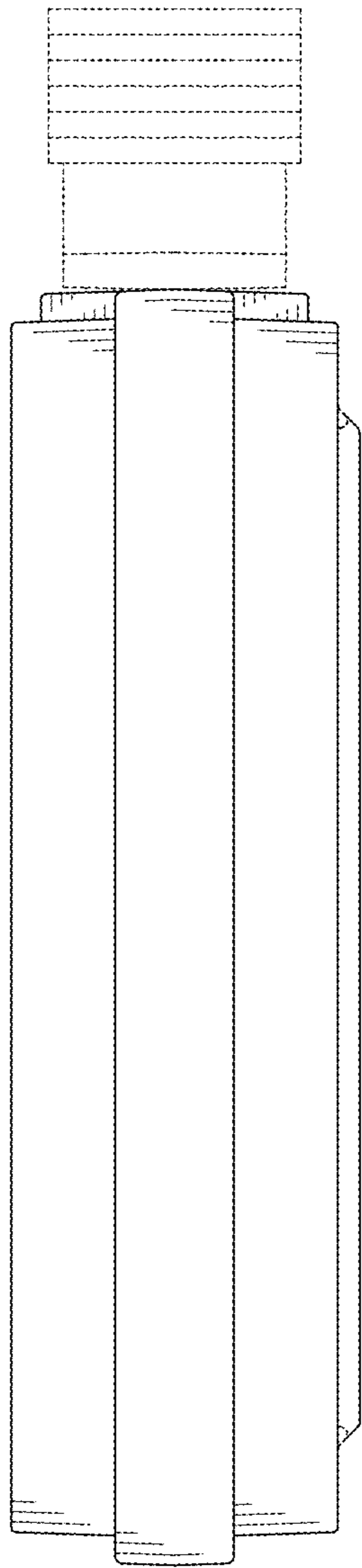


FIG. 4

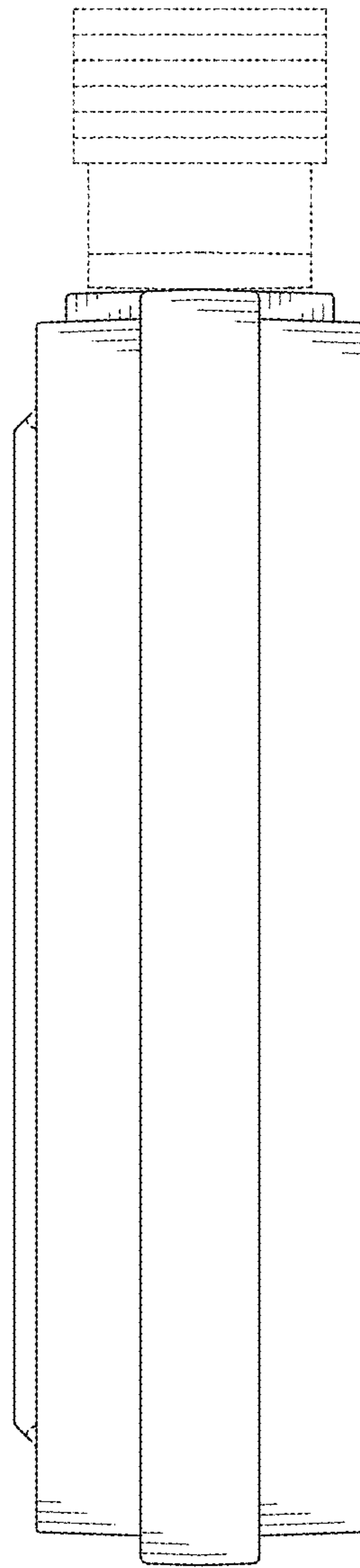


FIG. 5

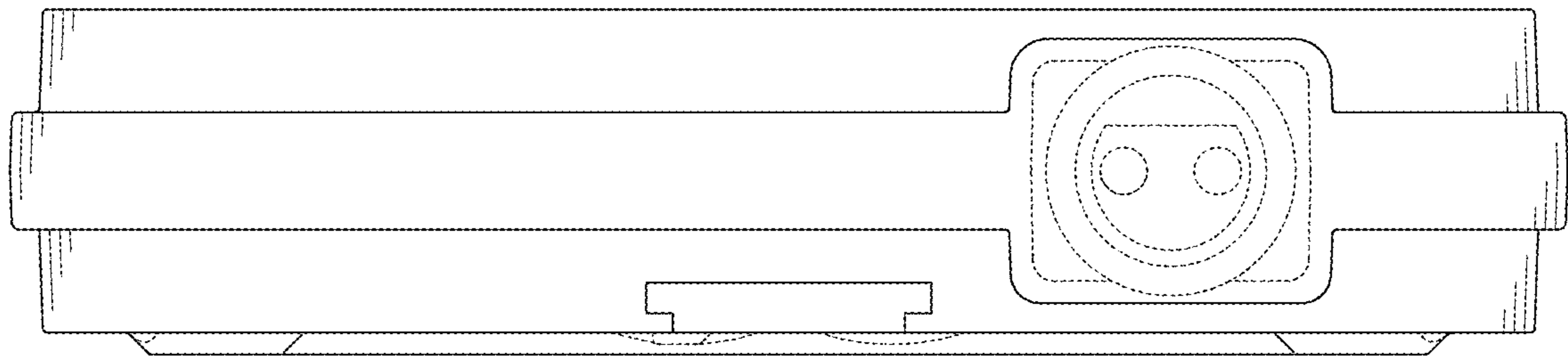


FIG. 6

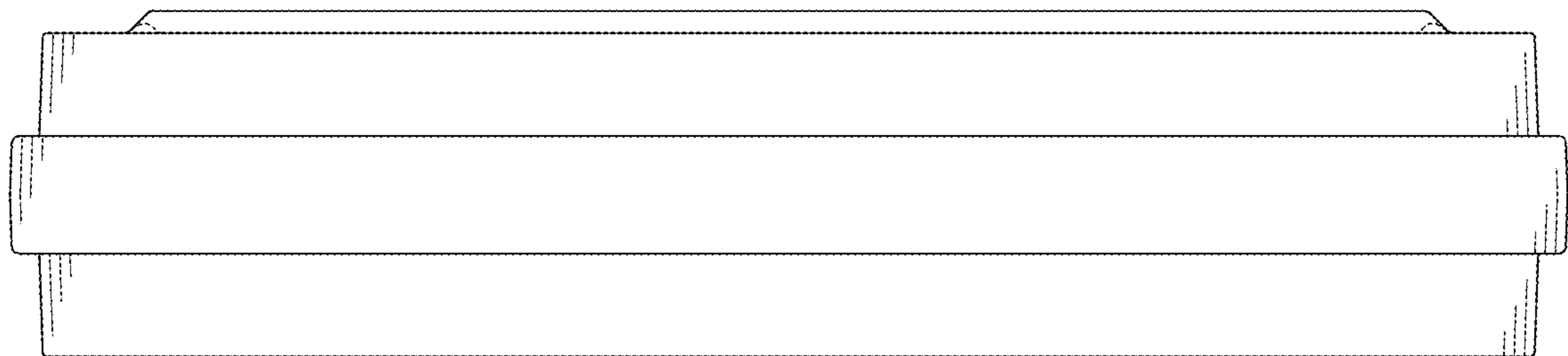


FIG. 7