



US00D957316S

(12) **United States Design Patent**  
**Chiusso et al.**

(10) **Patent No.:** **US D957,316 S**  
(45) **Date of Patent:** **\*\* Jul. 12, 2022**

- (54) **TIRE**
- (71) Applicant: **Bridgestone Europe NV/SA**, Zavenlem (BE)
- (72) Inventors: **Davide Chiusso**, Rome (IT); **Francesca D’Elia**, Rome (IT); **Ruben Alejandro Hidalgo Viera**, Rome (IT)
- (73) Assignee: **Bridgestone Europe NV/SA**, Zaventem (BE)
- (\*\*) Term: **15 Years**
- (21) Appl. No.: **29/728,916**
- (22) Filed: **Mar. 23, 2020**

(30) **Foreign Application Priority Data**

Sep. 30, 2019 (EM) ..... 006953717-0001

(51) **LOC (13) Cl.** ..... **12-15**

(52) **U.S. Cl.**  
USPC ..... **D12/583**

(58) **Field of Classification Search**  
USPC ..... D12/568-605, 900  
CPC ..... Y10T 152/10027; B60C 1/0016; B60C 11/0306; B60C 11/0302; B60C 3/06; B60C 9/17  
See application file for complete search history.

(56) **References Cited**

**U.S. PATENT DOCUMENTS**

- D260,142 S 8/1981 Takigawa
- D384,612 S \* 10/1997 Young ..... D12/597
- D451,437 S 12/2001 Reid
- D537,773 S \* 3/2007 Motta ..... D12/583
- D662,034 S \* 6/2012 Vandaele ..... D12/583

- D690,258 S \* 9/2013 Oraison ..... D12/583
- D694,173 S \* 11/2013 Takada ..... D12/583
- D721,640 S \* 1/2015 Oraison ..... D12/583
- D728,460 S \* 5/2015 Sylvino ..... D12/583
- D739,814 S \* 9/2015 Moore ..... D12/600
- D742,809 S \* 11/2015 Renis ..... D12/583
- D748,571 S \* 2/2016 Kitajima ..... D12/583
- D791,688 S 7/2017 Trowbridge
- D795,177 S \* 8/2017 Dixon ..... D12/602
- D848,355 S \* 5/2019 Wang ..... D12/583
- D897,940 S \* 10/2020 Hidalgo Vieira ..... D12/588

**FOREIGN PATENT DOCUMENTS**

- EM 3545748-0001 10/2018
- JP D1304489 6/2007

\* cited by examiner

*Primary Examiner* — John A Voytek

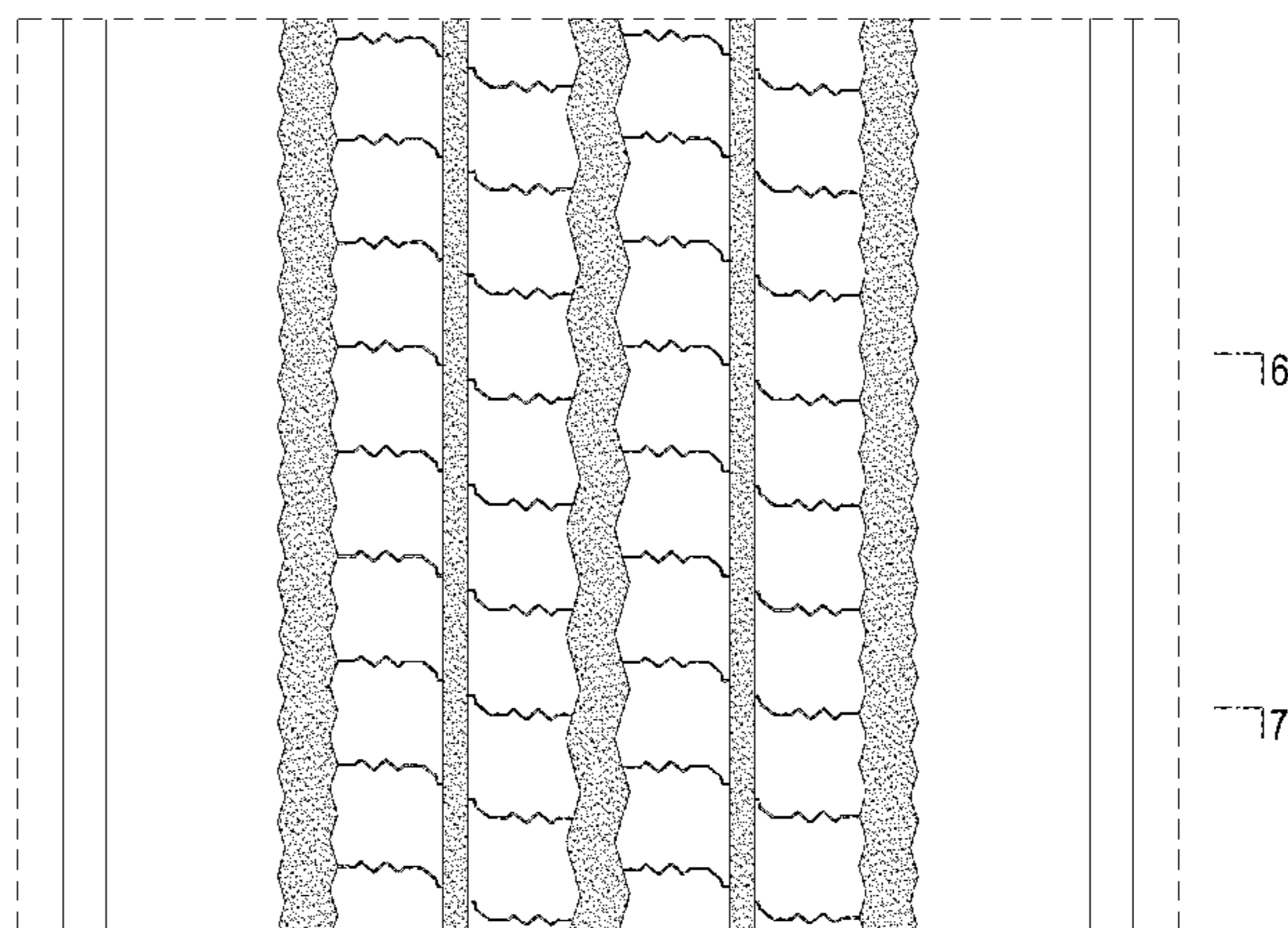
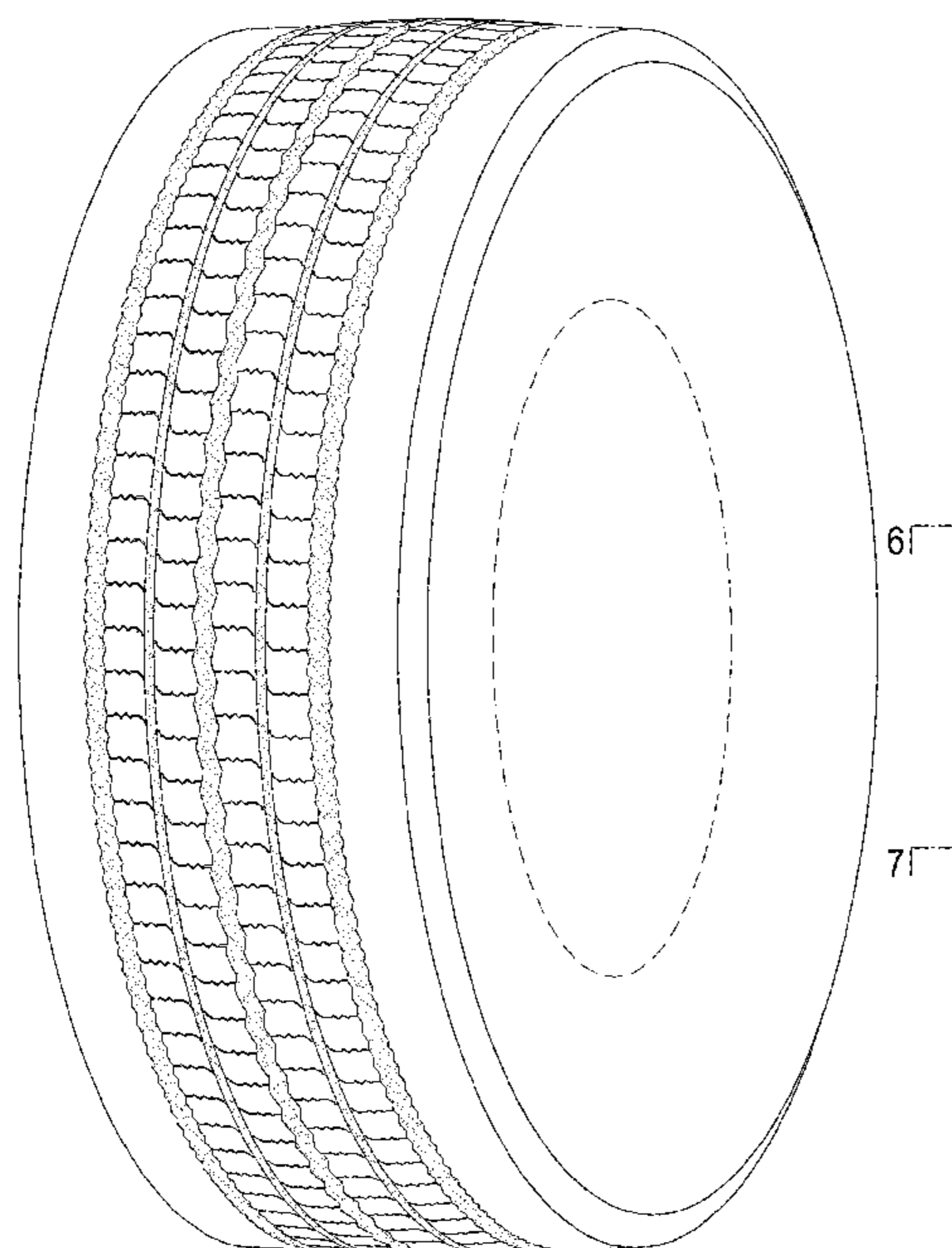
(57) **CLAIM**

The ornamental design for a tire, as shown and described.

**DESCRIPTION**

FIG. 1 is a perspective view of the tire;  
 FIG. 2 is a front view of the tire;  
 FIG. 3 is a right view of the tire;  
 FIG. 4 is a left view of the tire;  
 FIG. 5 is an enlarged view of the tire with section lines related to views 6, 7;  
 FIG. 6 is a first transversal section view of the tire taken along line 6-6; and,  
 FIG. 7 is a second transversal section view of the tire taken along line 7-7.  
 The broken lines defining the sidewall and inner bead depict environmental subject matter that forms no part of the claimed design.

**1 Claim, 7 Drawing Sheets**



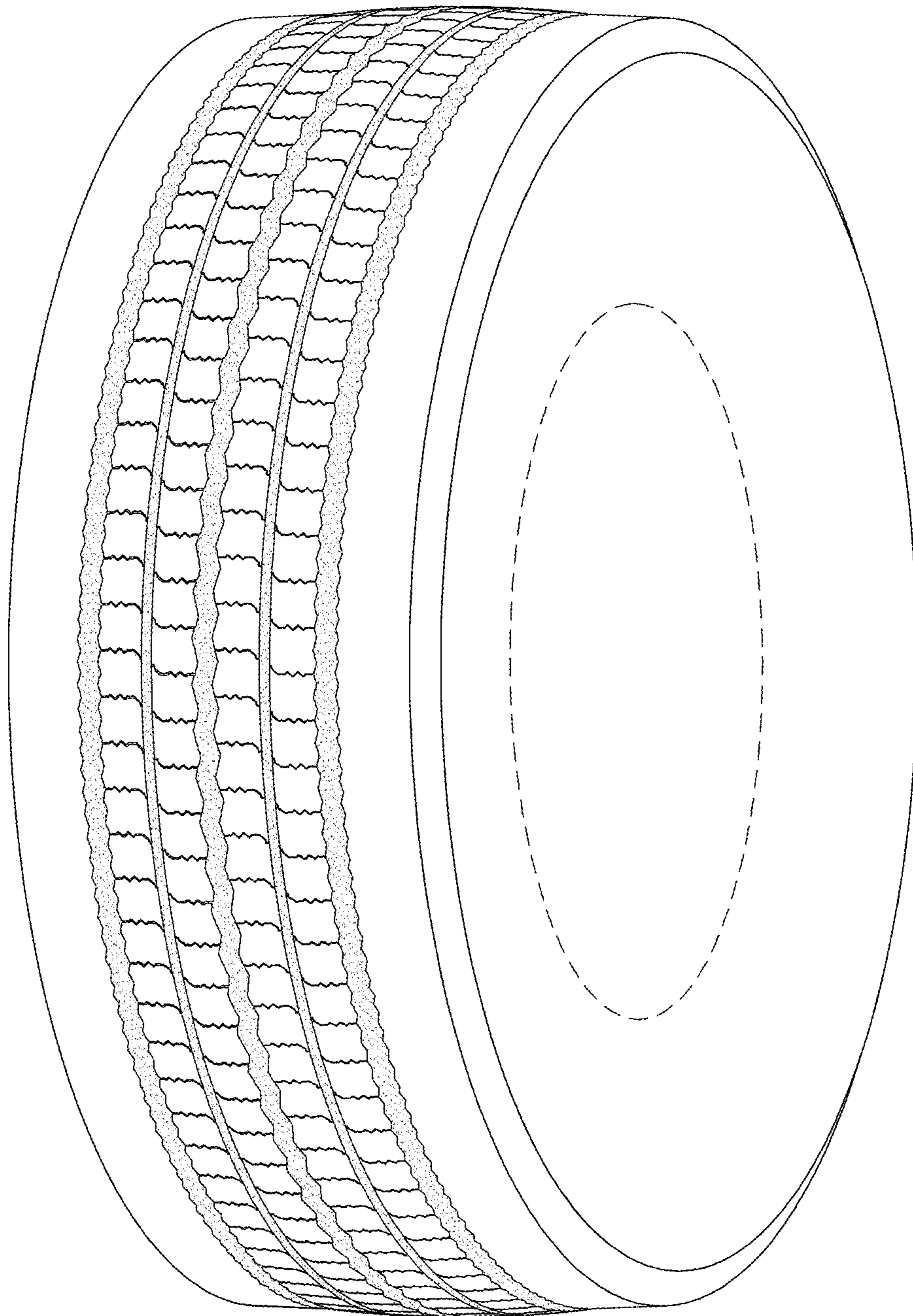


FIG.1

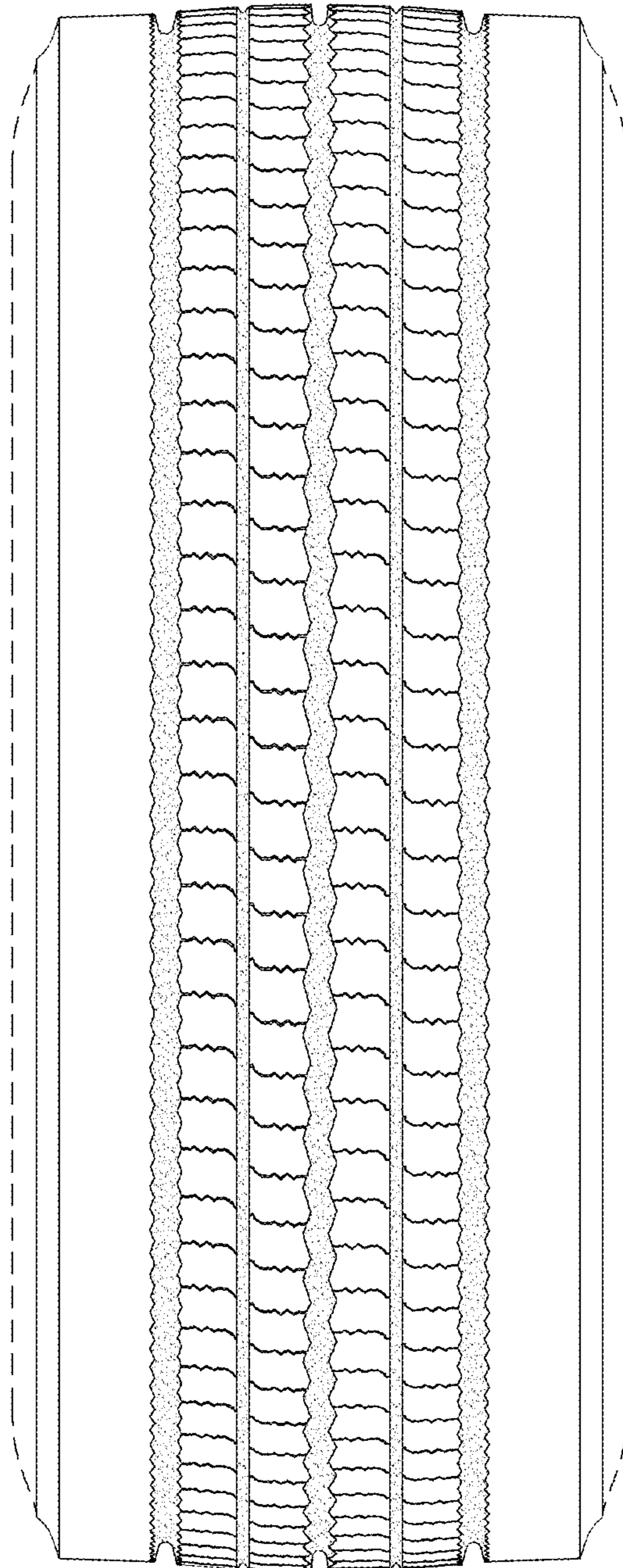


FIG.2

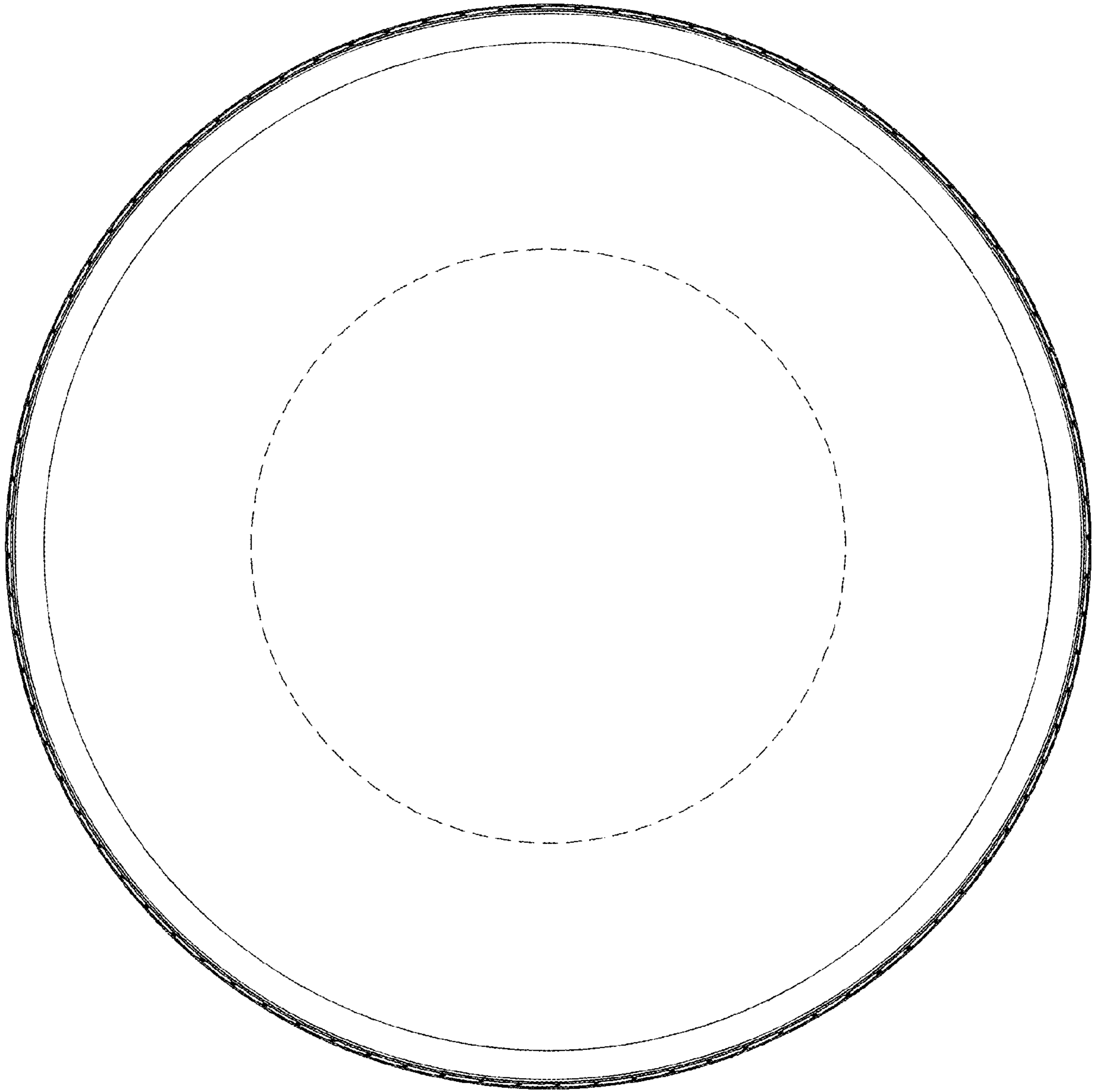


FIG.3

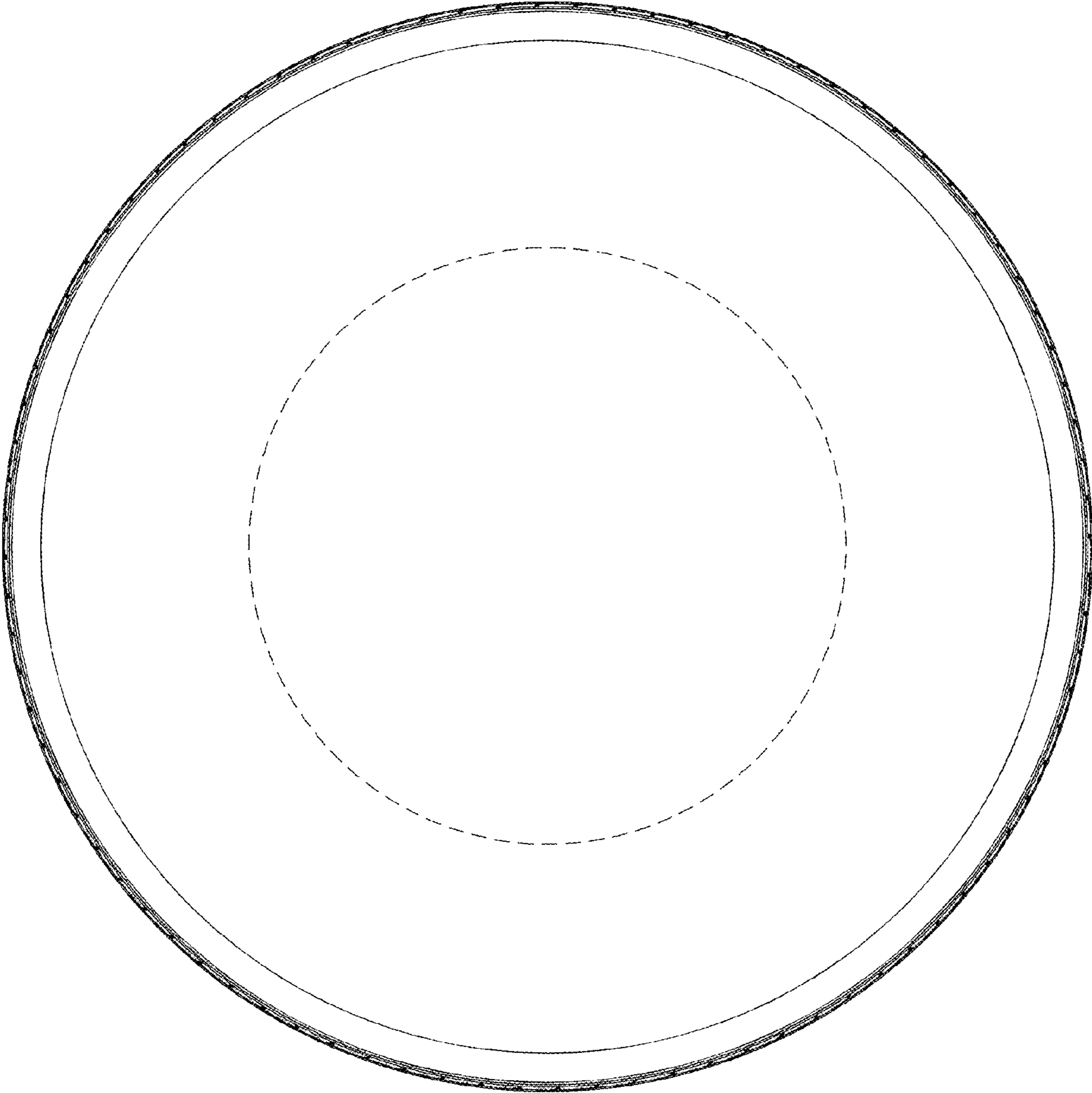


FIG.4

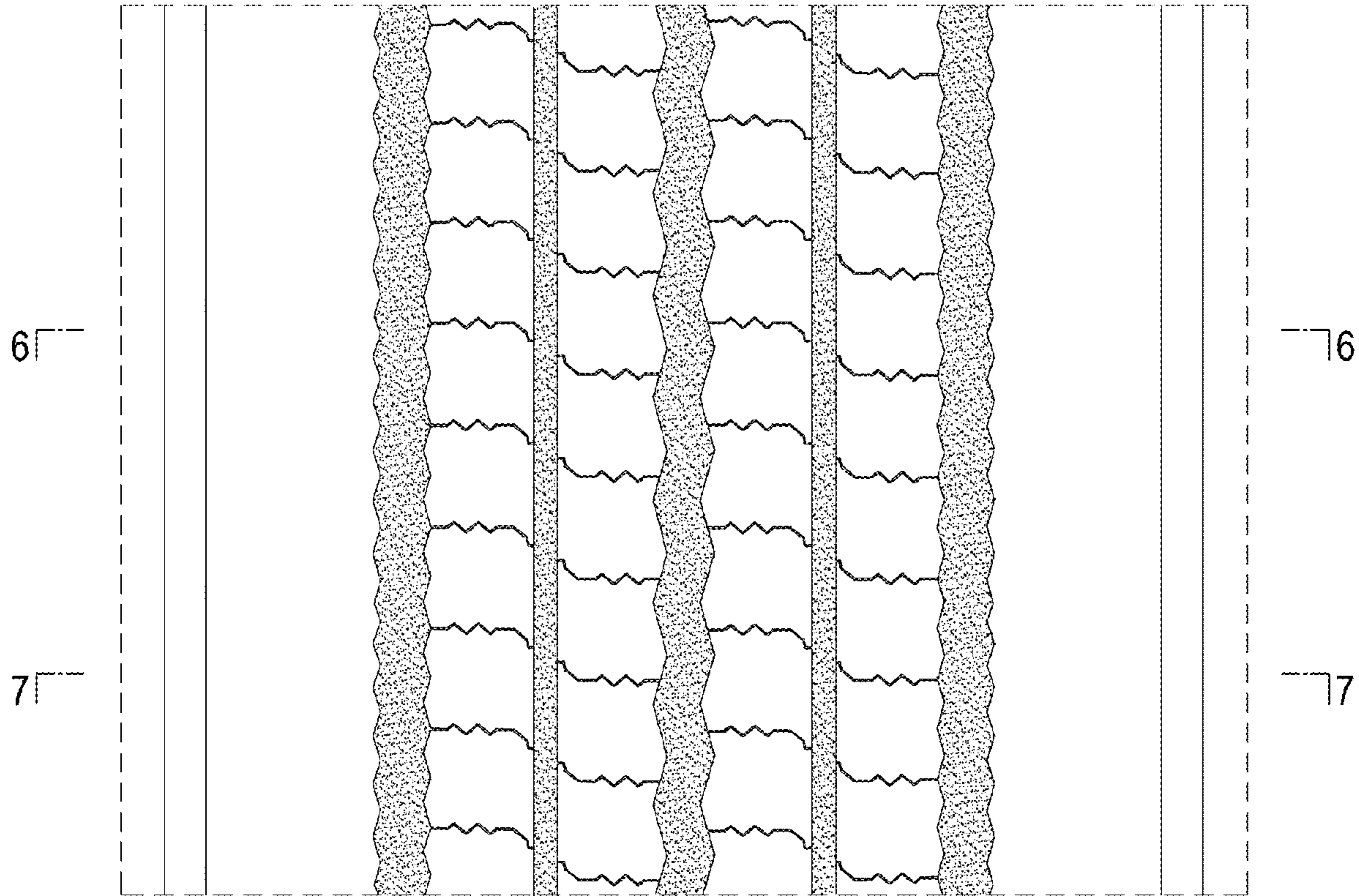


FIG.5

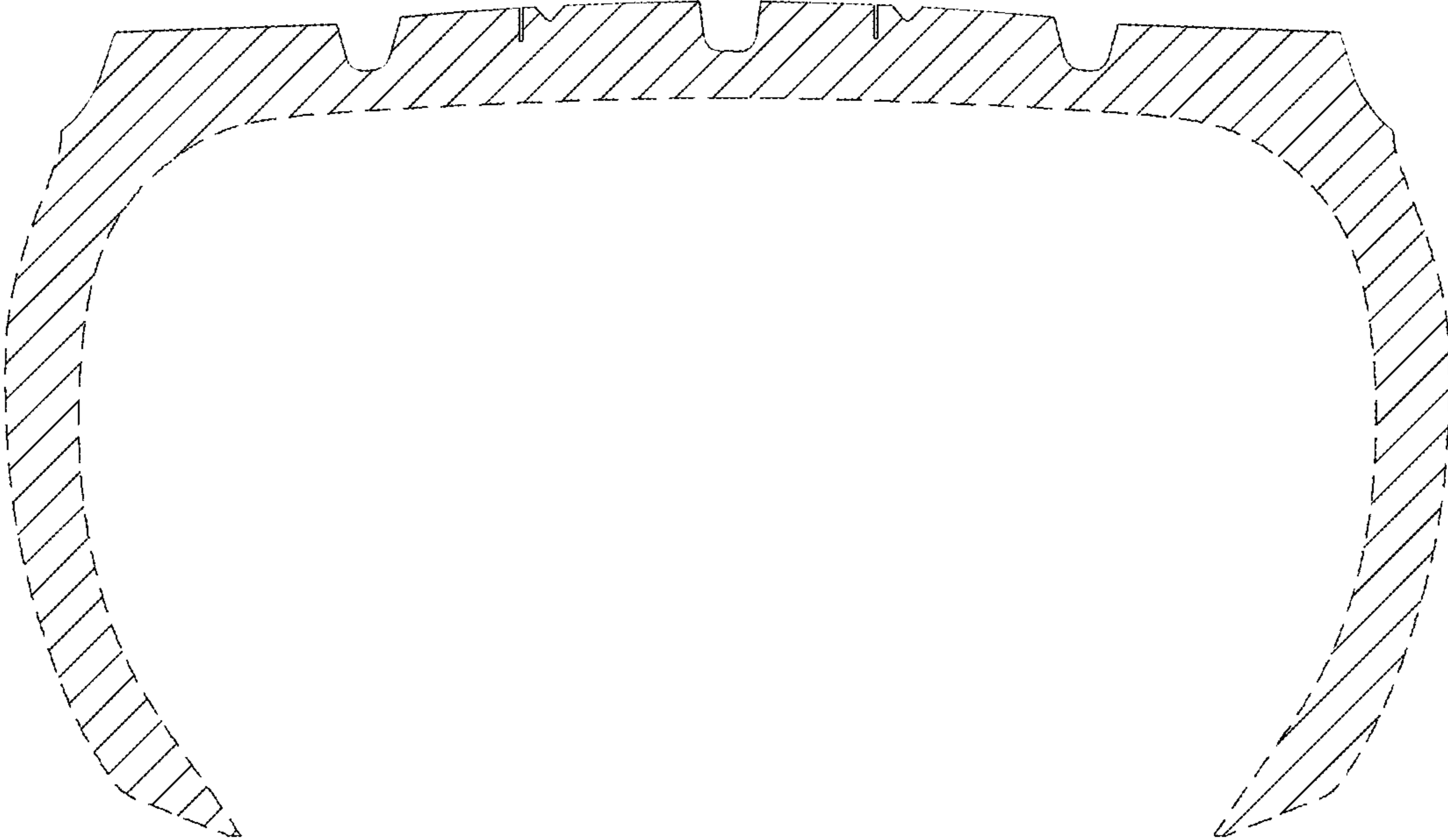


FIG.6

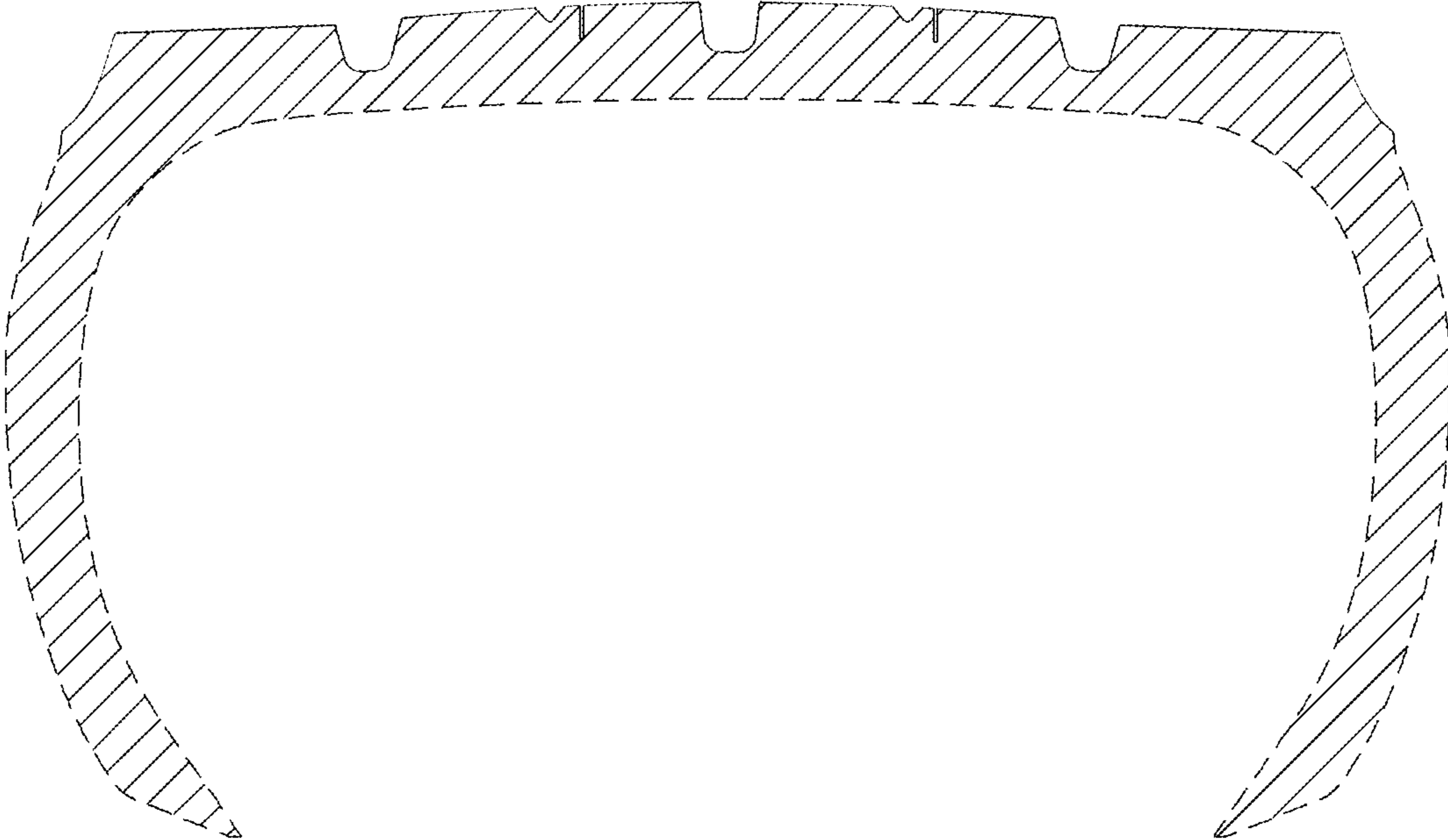


FIG.7