



US00D957312S

(12) **United States Design Patent**
Park

(10) **Patent No.:** **US D957,312 S**

(45) **Date of Patent:** **** Jul. 12, 2022**

(54) **VEHICLE TYRE**

(71) Applicant: **Kumho Tire Co., Inc**, Gwangju (KR)

(72) Inventor: **Inhee Park**, Gwangju (KR)

(**) Term: **15 Years**

(21) Appl. No.: **35/510,050**

(22) Filed: **Feb. 10, 2020**

(80) **Hague Agreement Data**

Int. Filing Date: **Feb. 10, 2020**

Int. Reg. No.: **DM/207285**

Int. Reg. Date: **Feb. 10, 2020**

Int. Reg. Pub. Date: **Aug. 14, 2020**

(51) **LOC (13) Cl.** **12-15**

(52) **U.S. Cl.**
USPC **D12/518**

(58) **Field of Classification Search**
USPC D12/505-532
CPC B60C 11/0304
See application file for complete search history.

(56) **References Cited**

U.S. PATENT DOCUMENTS

D600,628 S *	9/2009	Miyazaki	D12/514
D692,371 S *	10/2013	Fontaine	D12/517
D715,214 S *	10/2014	Fontaine	D12/523
D770,364 S *	11/2016	Nakamura	D12/531
D772,143 S *	11/2016	Kaneko	D12/519

D777,644 S *	1/2017	Niwa	D12/604
D852,118 S *	6/2019	Nakamura	D12/518
D857,612 S *	8/2019	Fehl	D12/515
D886,029 S *	6/2020	Nakamura	D12/524
D892,032 S *	8/2020	Nakamura	D12/523
D895,532 S *	9/2020	Nakamura	D12/517
D895,533 S *	9/2020	Mizushima	D12/518

OTHER PUBLICATIONS

Opposite-Lock, 1st Impressions: Kumho Ecsta V730 200—Treadwear Tire, Feb. 26, 2021, opposite-lock.com. Retrived from internet on Jul. 24, 2021 <URL: https://opposite-lock.com/topic/8810/1st-impressions-kumho-ecsta-v730-200-treadwear-tire> (Year: 2021).*

* cited by examiner

Primary Examiner — Joseph Kukella

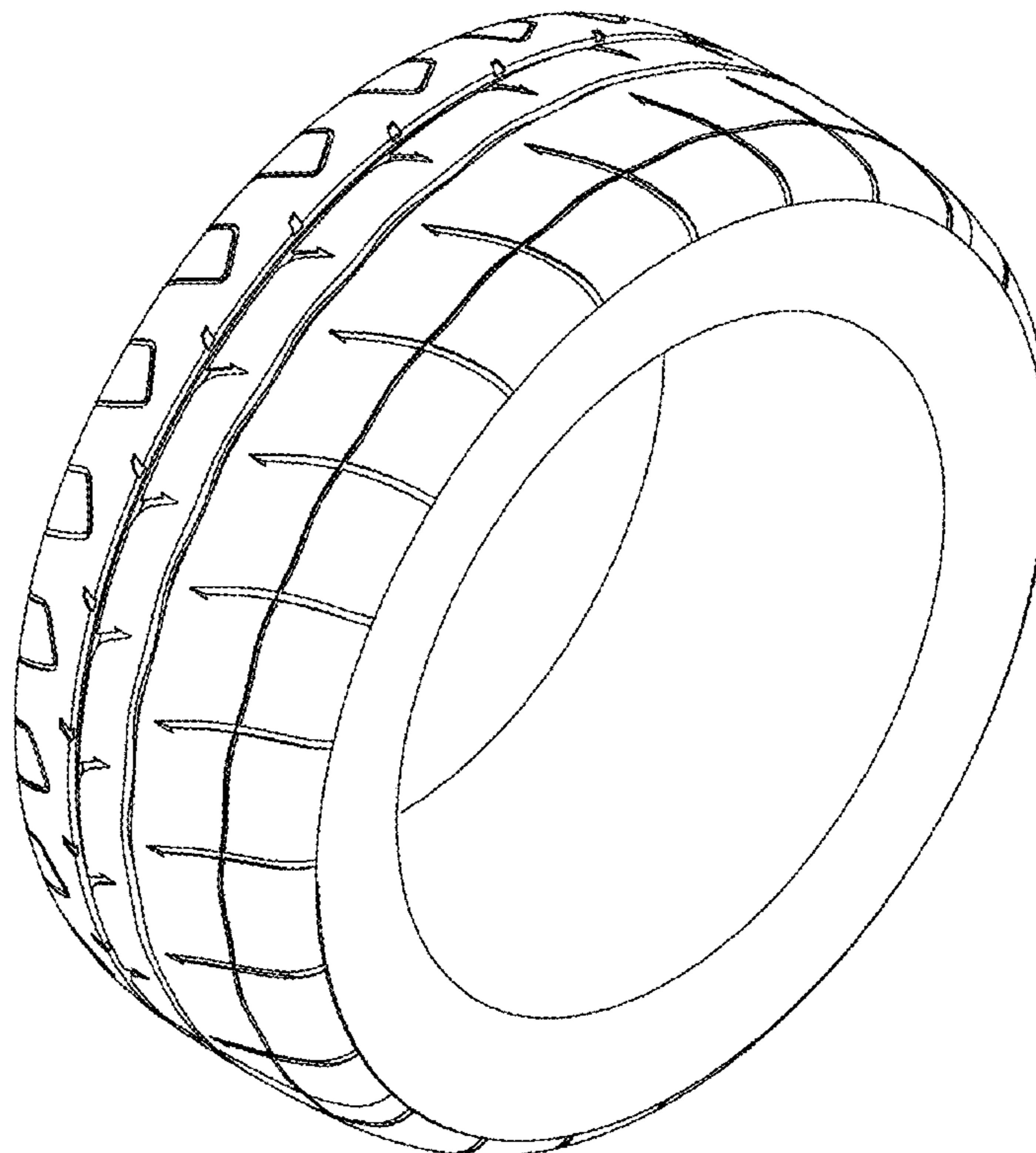
(57) **CLAIM**

The ornamental design for a vehicle tyre, as shown and described.

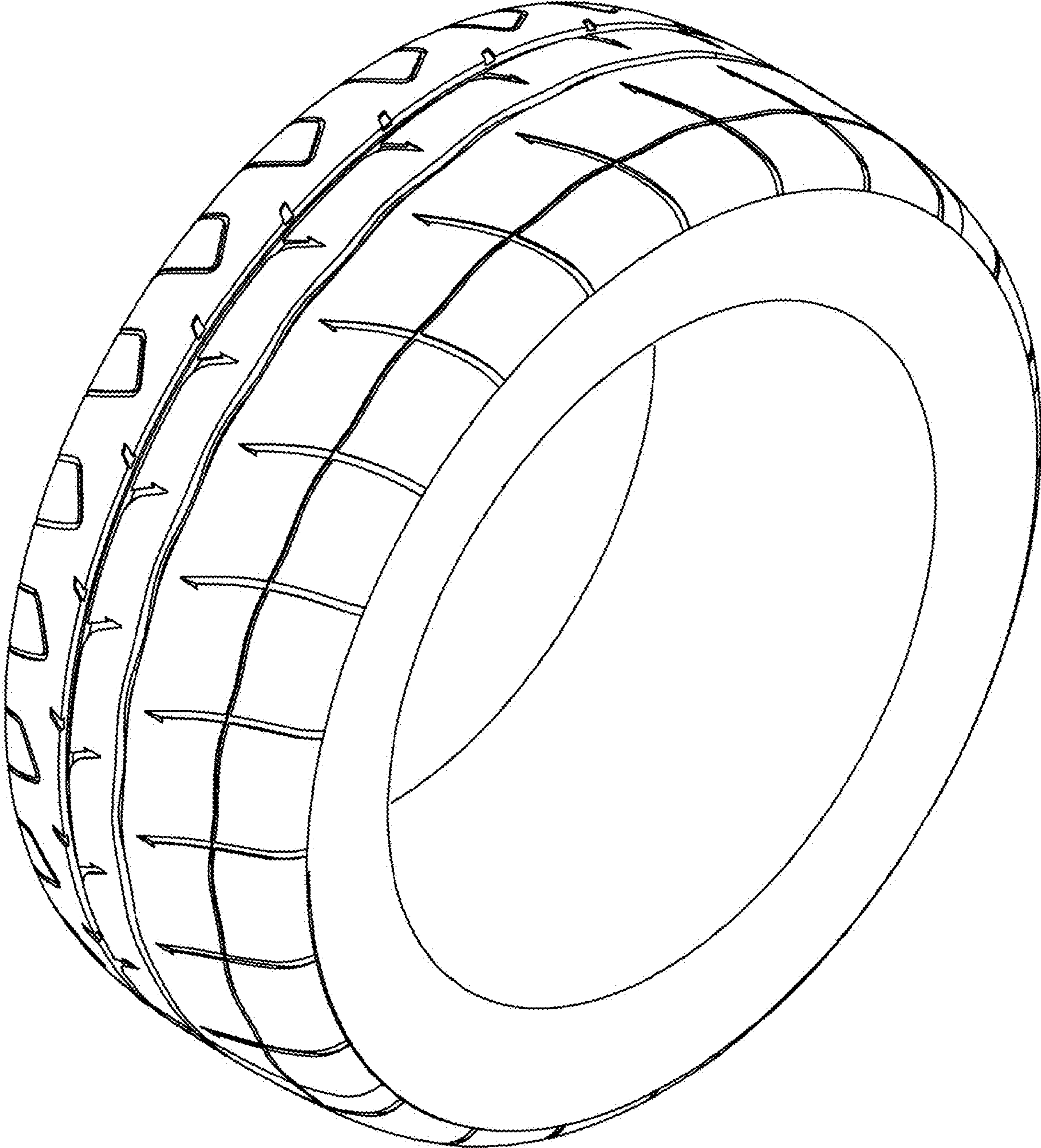
DESCRIPTION

- 1. Vehicle tyre
- 1.1 : Perspective
- 1.2 : Front
- 1.3 : Back
- 1.4 : Left
- 1.5 : Right
- 1.6 : Top
- 1.7 : Bottom

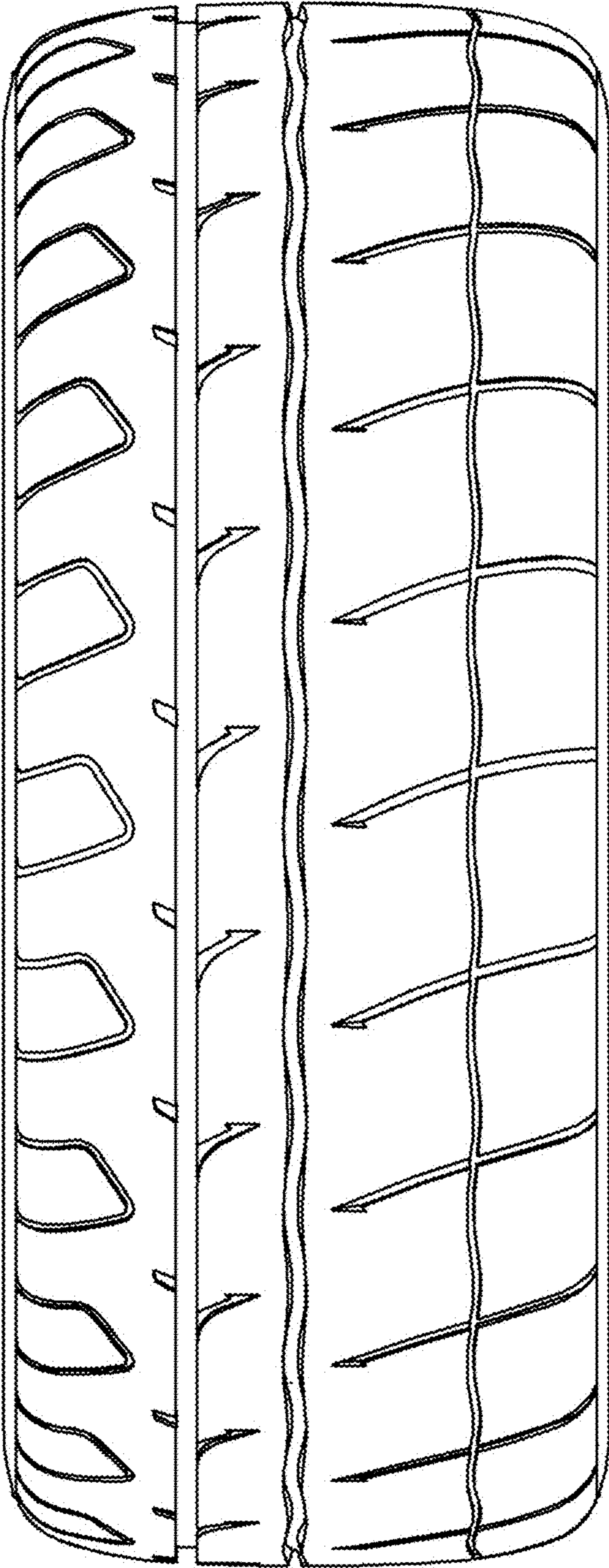
1 Claim, 7 Drawing Sheets



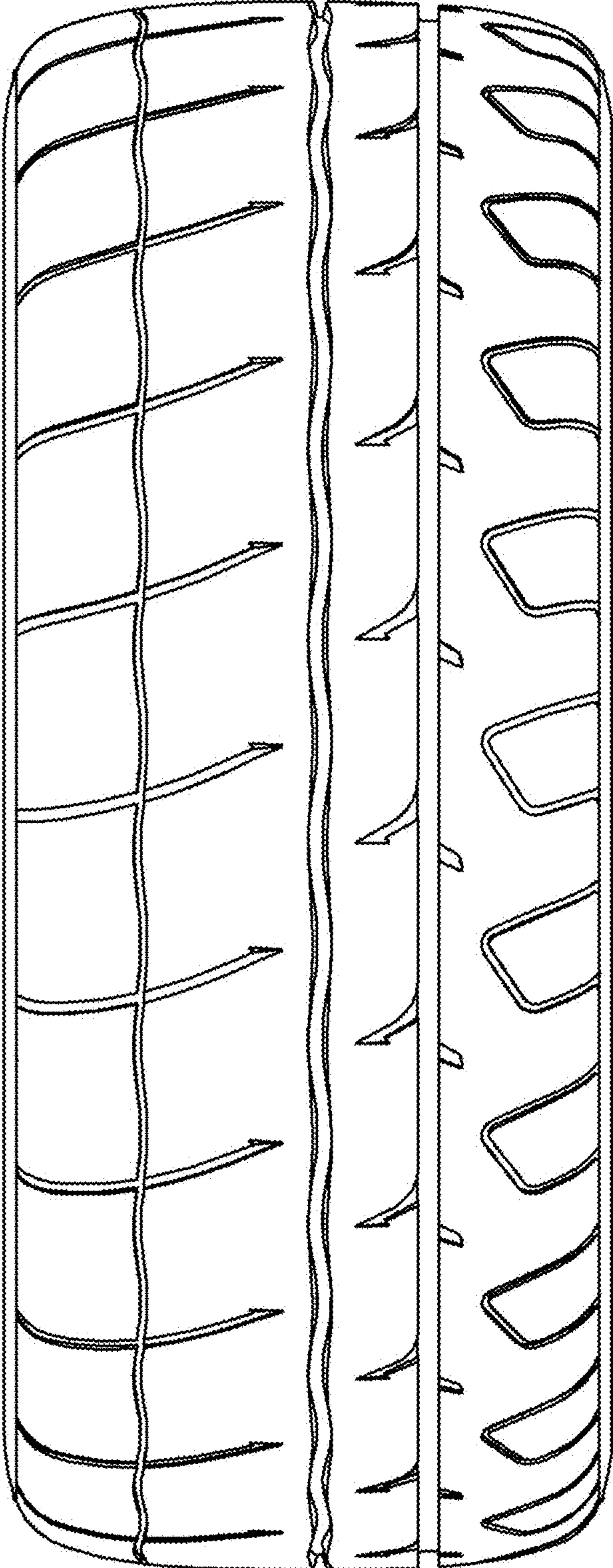
1.1



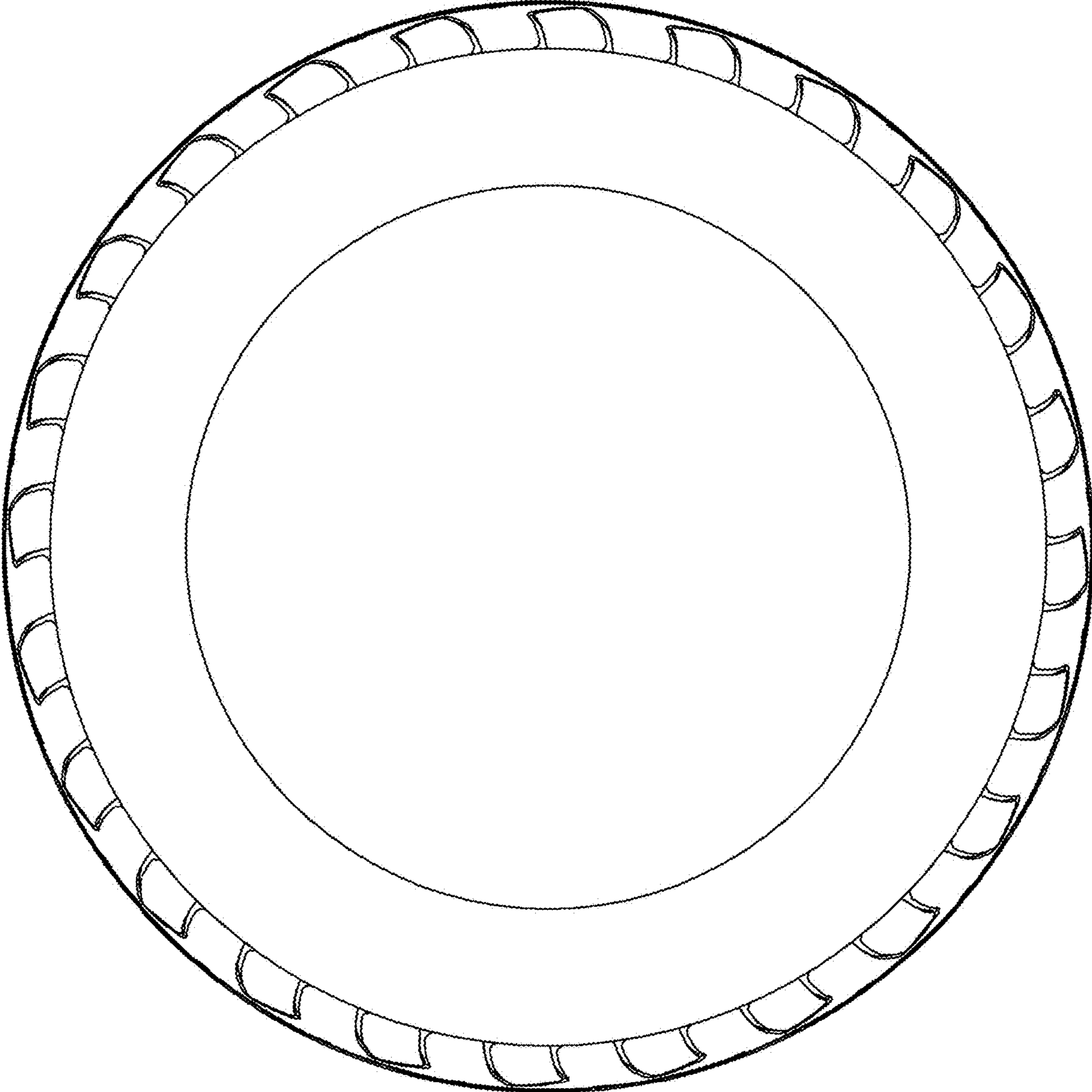
1.2



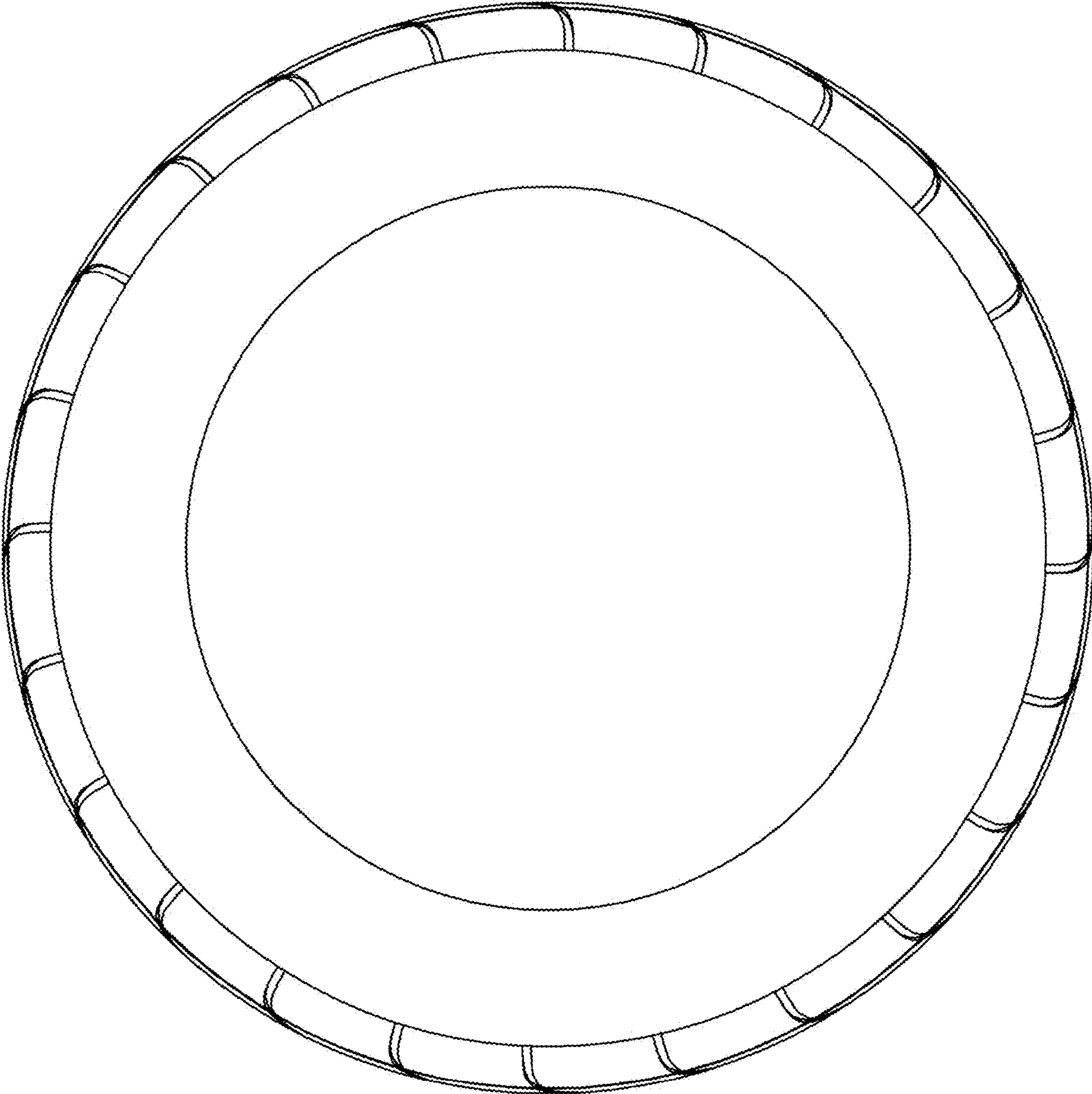
1.3



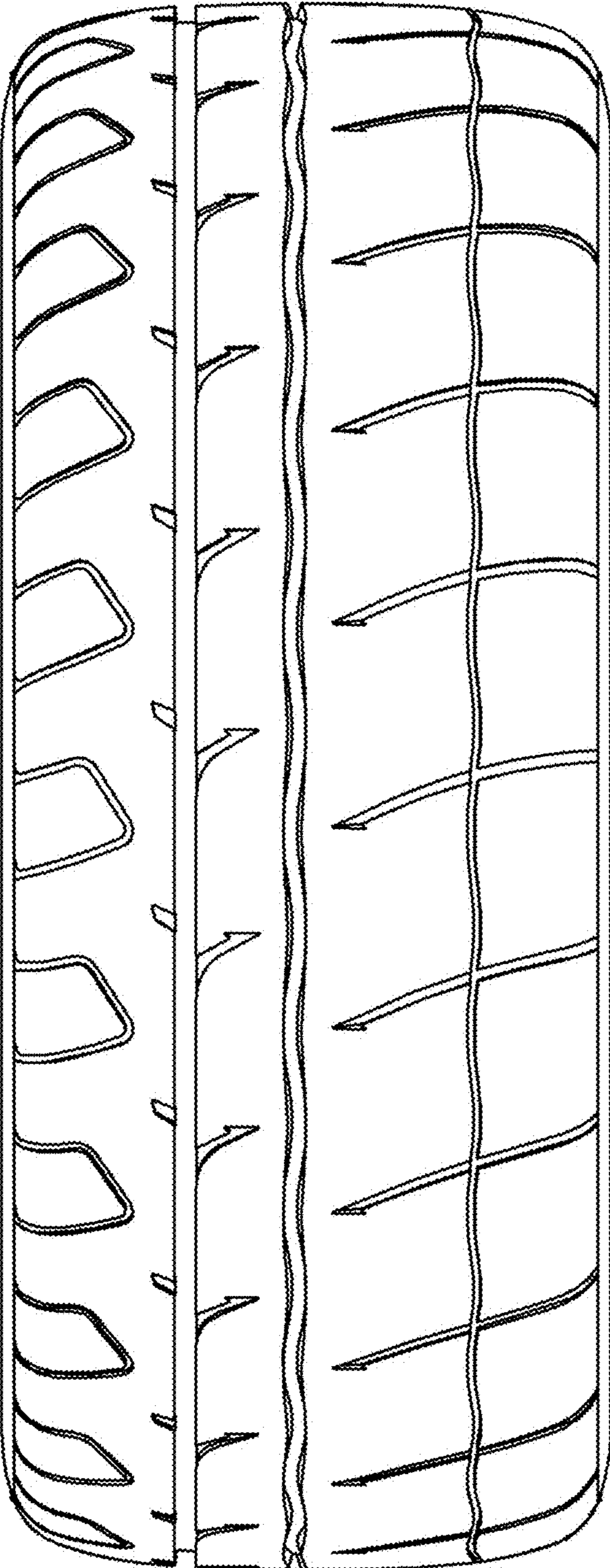
1.4



1.5



1.6



1.7

