



US00D957307S

(12) **United States Design Patent**
Sargent

(10) **Patent No.:** **US D957,307 S**
(45) **Date of Patent:** **** Jul. 12, 2022**

(54) **TRUCK BED TENT**
(71) Applicant: **Weave Composites**, Oceanside, CA
(US)
(72) Inventor: **Nathan Thomas Sargent**, Oceanside,
CA (US)

5,988,195 A 11/1999 Kaestner
6,021,795 A 2/2000 Long
D461,759 S 8/2002 Napieraj
6,481,784 B2 11/2002 Cargill
6,505,879 B1 1/2003 Arviso
(Continued)

(73) Assignee: **Weave Composites**, Oceanside, CA
(US)

FOREIGN PATENT DOCUMENTS

EM 0062586790003 3/2019
EM 0062616990002 3/2019
EM 0075379560001 1/2020

(**) Term: **15 Years**

OTHER PUBLICATIONS

(21) Appl. No.: **29/810,614**
(22) Filed: **Oct. 6, 2021**
(51) **LOC (13) Cl.** **12-16**
(52) **U.S. Cl.**
USPC **D12/401**
(58) **Field of Classification Search**
USPC D12/401-405; D6/610, 611, 596,
D6/601-603, 615, 617, 621; D7/332,
D7/334-337
CPC ... B60P 7/04; B60R 5/045; B60R 5/04; B65D
33/02; B65D 31/16; B65D 85/68
See application file for complete search history.

Moon Lence; Amazon.com; "Moon Lence Instant Pop Up Tent Family Camping Tent 4-5 Person Portable Tent Automatic Tent Waterproof Windproof for Camping Hiking Mountaineering" <https://www.amazon.com/MOON-LENCE-Automatic-Waterproof-Mountaineering/dp/B0827J35KL> [retrieved from the internet on Sep. 30, 2021] Dec. 1, 2019 (9 pages).

(Continued)

Primary Examiner — Katrina A Betton
(74) *Attorney, Agent, or Firm* — Esplin & Associates, PC

(56) **References Cited**

U.S. PATENT DOCUMENTS

4,263,925 A 4/1981 Arganbright
4,310,194 A 1/1982 Biller
4,332,265 A 6/1982 Baker
4,652,040 A 3/1987 Mahan
4,657,299 A 4/1987 Mahan
D324,405 S 3/1992 Cantwell
5,226,261 A 7/1993 Wilbourn
D337,979 S 8/1993 Napieraj
5,299,849 A 4/1994 Cook
5,333,634 A 8/1994 Taylor
5,339,851 A 8/1994 Miller
5,353,826 A 10/1994 Davis, Sr.
5,954,076 A 9/1999 McGinnis

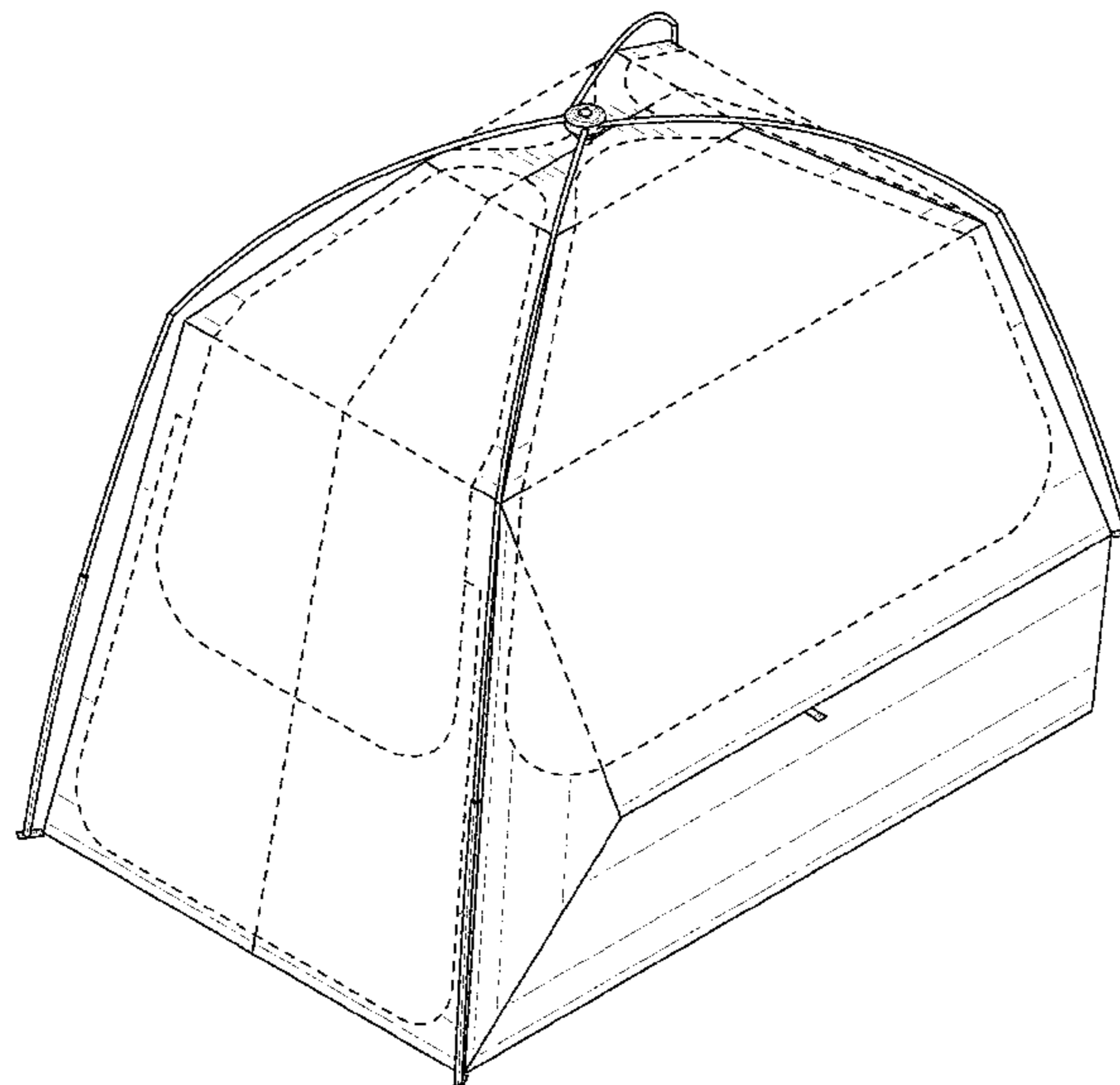
(57) **CLAIM**

The ornamental design for a truck bed tent, as shown and described.

DESCRIPTION

FIG. 1 is a perspective view of the truck bed tent showing an implementation of the new design, with tent windows and a door of the tent body shown in dashed lines;
FIG. 2 is a rear view thereof;
FIG. 3 is a front view thereof;
FIG. 4 is a top view thereof; and,
FIG. 5 is a side view thereof.
The portions shown in broken lines form no part of the claimed design.

1 Claim, 3 Drawing Sheets



(56)

References Cited

U.S. PATENT DOCUMENTS

6,536,827	B2	3/2003	Oswald	
6,581,617	B2	6/2003	Ham	
6,616,212	B1	9/2003	Bishop	
D503,143	S *	3/2005	Napieraj	D12/403
6,905,162	B2	6/2005	Lester	
D516,497	S	3/2006	Napieraj	
7,021,694	B1	4/2006	Roberts	
D534,614	S	1/2007	Gallaway	
D583,747	S *	12/2008	Napieraj	D12/403
7,677,641	B1	3/2010	Isoda	
D638,343	S	5/2011	Kramer	
D651,678	S *	1/2012	Muggleton	D21/834
8,448,656	B2	5/2013	Choi	
8,550,538	B1	10/2013	Brandenburg	
D695,375	S	12/2013	Jin	
D695,376	S	12/2013	Jin	
D702,791	S	4/2014	Jin	
D718,828	S	12/2014	Jin	
9,487,147	B1	11/2016	Morrill	
9,624,688	B1	4/2017	Tyson	
D796,420	S *	9/2017	Abrams	D12/403
D813,782	S *	3/2018	Cropley	D12/403
D820,192	S *	6/2018	Currid	D12/403
D824,322	S *	7/2018	Rossi	D12/403
D838,801	S	1/2019	Chaklos	
D841,107	S	2/2019	Zhu	
D858,676	S	9/2019	Xu	
D870,835	S	12/2019	Xiao	
D872,209	S	1/2020	Zhu	
D872,210	S	1/2020	Zhu	
D872,818	S	1/2020	Zhu	
D879,231	S	3/2020	Zhu	
D902,125	S *	11/2020	Matras	D12/403
D902,833	S *	11/2020	McGregor	D12/403
D925,686	S	1/2021	Guo	
D910,137	S	2/2021	Zhang	
D910,138	S	2/2021	Chen	
D910,795	S	2/2021	Zhu	
D931,400	S	2/2021	Mei	
D915,995	S *	4/2021	Kerr	D12/403
D916,223	S	4/2021	Chen	
D921,148	S	6/2021	Xiao	
D921,811	S	6/2021	Cheng	
D926,908	S	8/2021	Wright	
D928,899	S	8/2021	Zhu	
D935,378	S *	11/2021	Chen	D12/403
D938,890	S *	12/2021	Min	D12/403
2006/0016467	A1	1/2006	Bae	
2008/0210282	A1	9/2008	Turcot	
2016/0332556	A1	11/2016	Robertson	

OTHER PUBLICATIONS

Rick Stella; BusinessInsider.com; “The 4 best truck bed tents, perfect for use at a campsite or while overlanding” <https://www.businessinsider.com/best-truck-bed-tent#the-best-overall-1> [retrieved from the internet on Sep. 30, 2021] Mar. 24, 2021 (17 pages).

InvictusEdge; “Pickup truck bed tent”; <https://www.invictusedge.com/product-page/pick-up-truck-tent> [retrieved from the internet on Sep. 30, 2021] Jun. 13, 2020 (2 pages).

TSC Tractor Supply CO; “Napier Sportz Truck Tent for Full-Size Regular Beds, 57022”; <https://www.tractorsupply.com/tsc/product/napier-sportz-truck-tent-full-size-regular-57022> [retrieved from the internet on Sep. 30, 2021] Oct. 23, 2020 (3 pages).

Sears.com; “North East Harbor Pickup Truck Bed Camping Tent, 2-Person Sleeping Capacity, Includes Rainfly and Storage Bag— Fits Full Size Truck with Short;” <https://www.sears.com/north-east-harbor-pickup-truck-bed-camping-tent/p-A065017098> [retrieved from the internet on Sep. 30, 2021] Oct. 20, 2020 (6 pages).

Nanjing Aadaize Trade Co., Ltd.; Made-in-China.com; “Wholesale Cheap and Best SUV Tent, Pickup Truck Tent” <https://njadai.en.made-in-china.com/product/nBjmCXSukdVP/China-Wholesale-Cheap-and-Best-SUV-Tent-Pickup-Truck-Tent.html> [retrieved from the internet on Sep. 30, 2021] Mar. 2, 2021 (2 pages).

Joy Tutus; “2 People Portable Pickup Truck Tent [] 5.5'-6'” <https://www.joytutus.com/products/portable-pickup-truck-tent-waterproof-for-camping?variant=39373435535475> [retrieved from the internet on Sep. 30, 2021] Jun. 17, 2021 (9 pages).

Tru Vick; Truck Enthusiasts; “Top 7 Best Truck Tents—2021 Complete Reviews & Buying Guide” <https://trucksenthusiasts.com/best-truck-bed-tents-buying-guide/> [retrieved from the internet on Oct. 6, 2021] Jan. 5, 2021 (51 pages).

Alibaba.com; “Naturehike P-Series upgrade UPF 50+ zelt barraca 2 3 4 Man Tent waterproof Family foldable tents camping outdoor”; https://www.alibaba.com/product-detail/Naturehike-P-Series-upgrade-UPF-50_60478800140.html?spm=a2700.galleryofferlist.normal_offer.d_image.348774c6PGBTim [retrieved from the internet on Oct. 6, 2021] 2016 (15 pages).

Alibaba; “1 Person Folding Off The Ground Camping Sleeping Bed tent cot,Camping cot Bed Tent,CZ-336 Camping tent build on cot or use alone”; https://www.alibaba.com/product-detail/1-Person-Folding-Off-The-Ground_62186920981.html?spm=a2700.galleryofferlist.normal_offer.d_image.348774c6PGBTim [retrieved from the internet on Oct. 6, 2021] Aug. 16, 2018 (19 pages).

Chicago Tribune—Pioneer Press Gifts for the Adventure Lover; Nov. 22, 2018 (1 page).

* cited by examiner

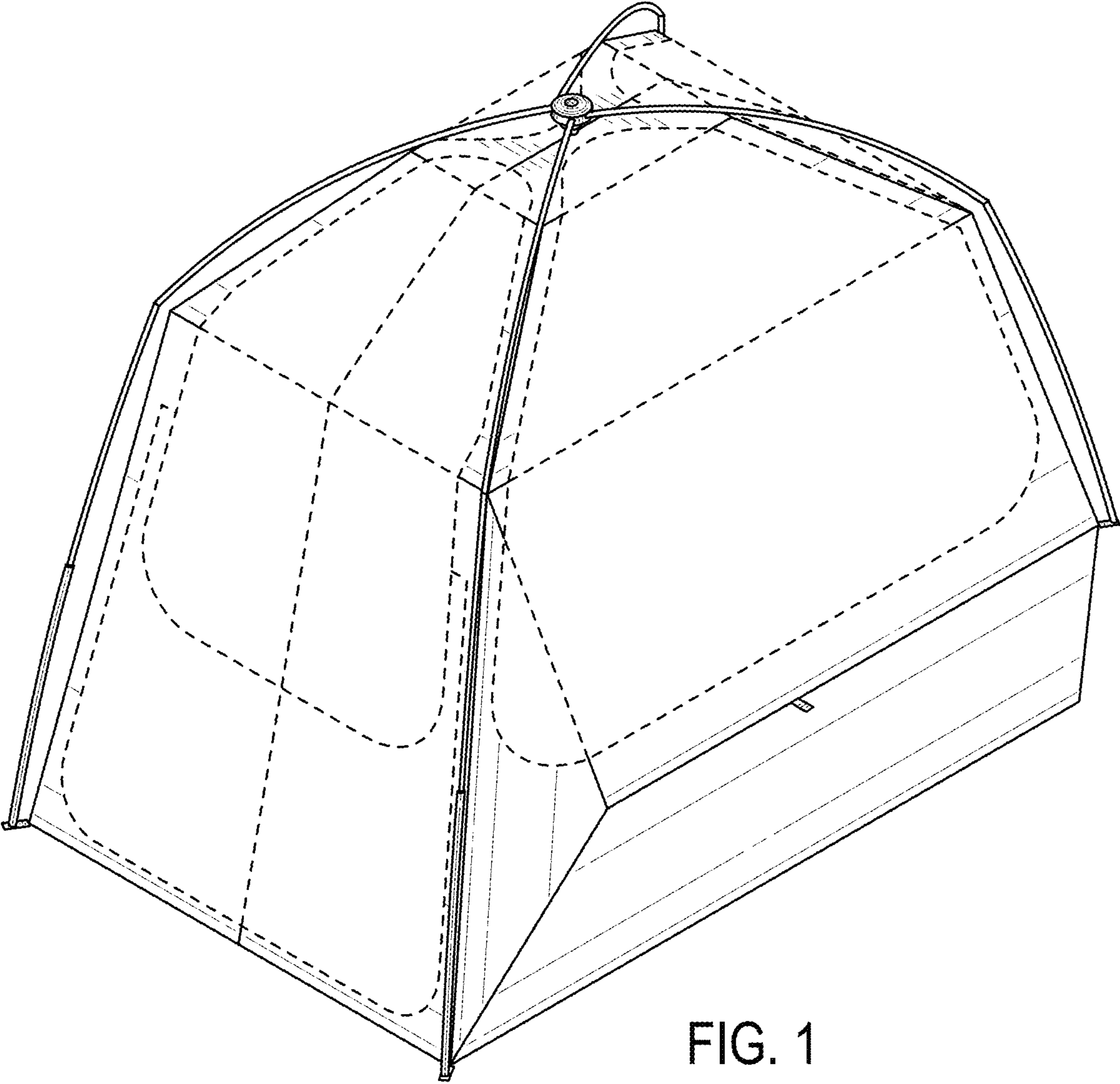


FIG. 1

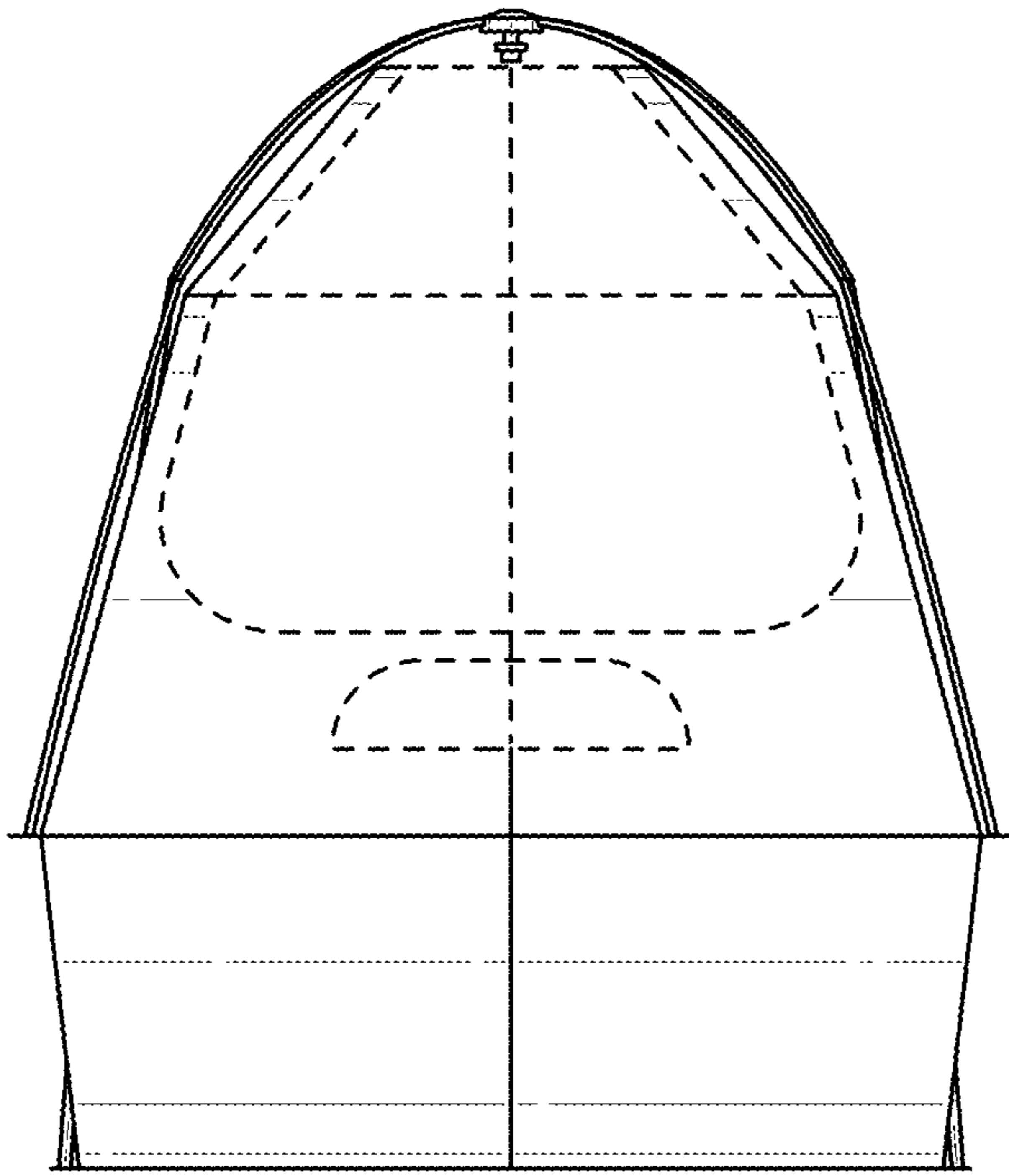


FIG. 2

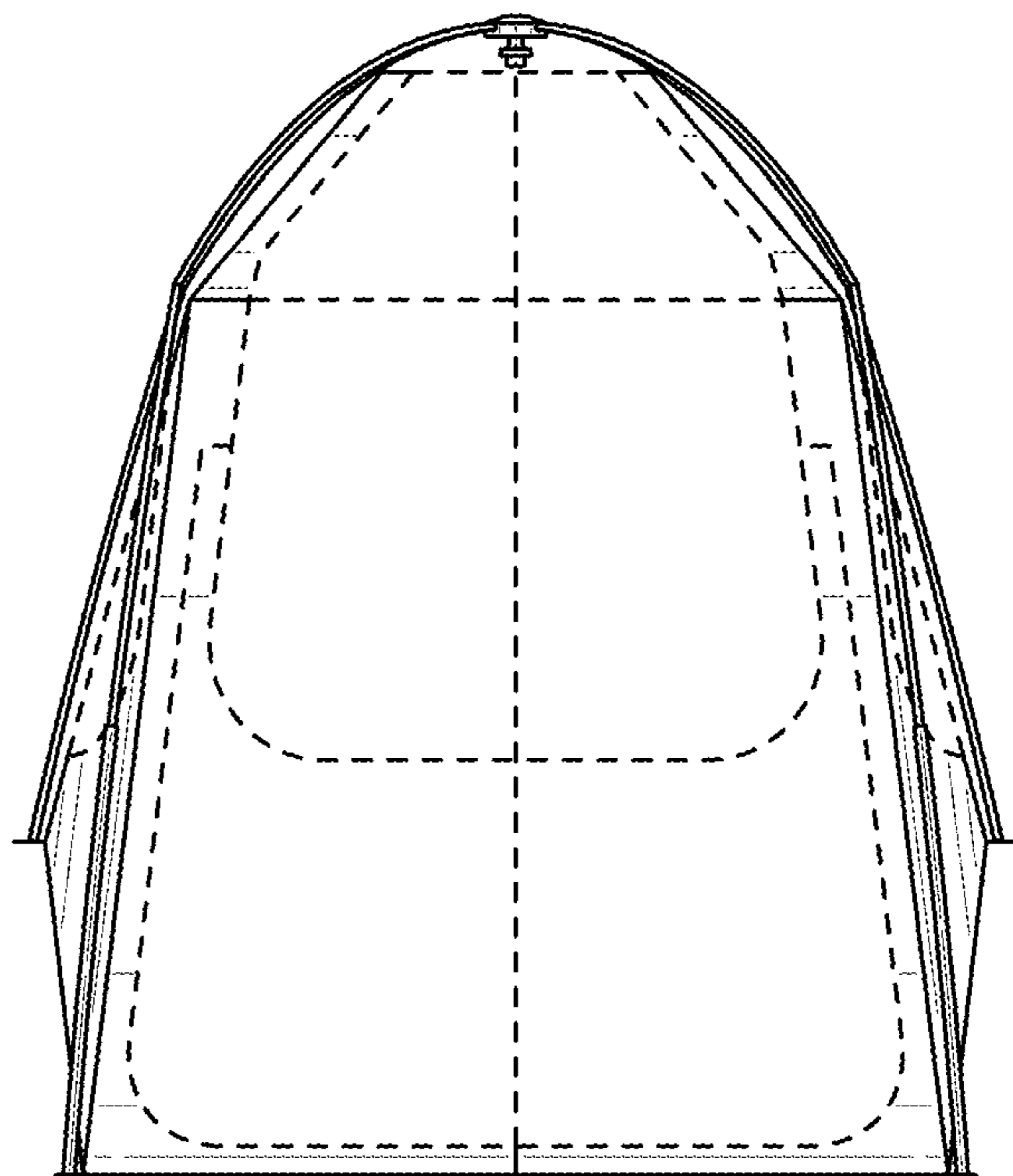


FIG. 3

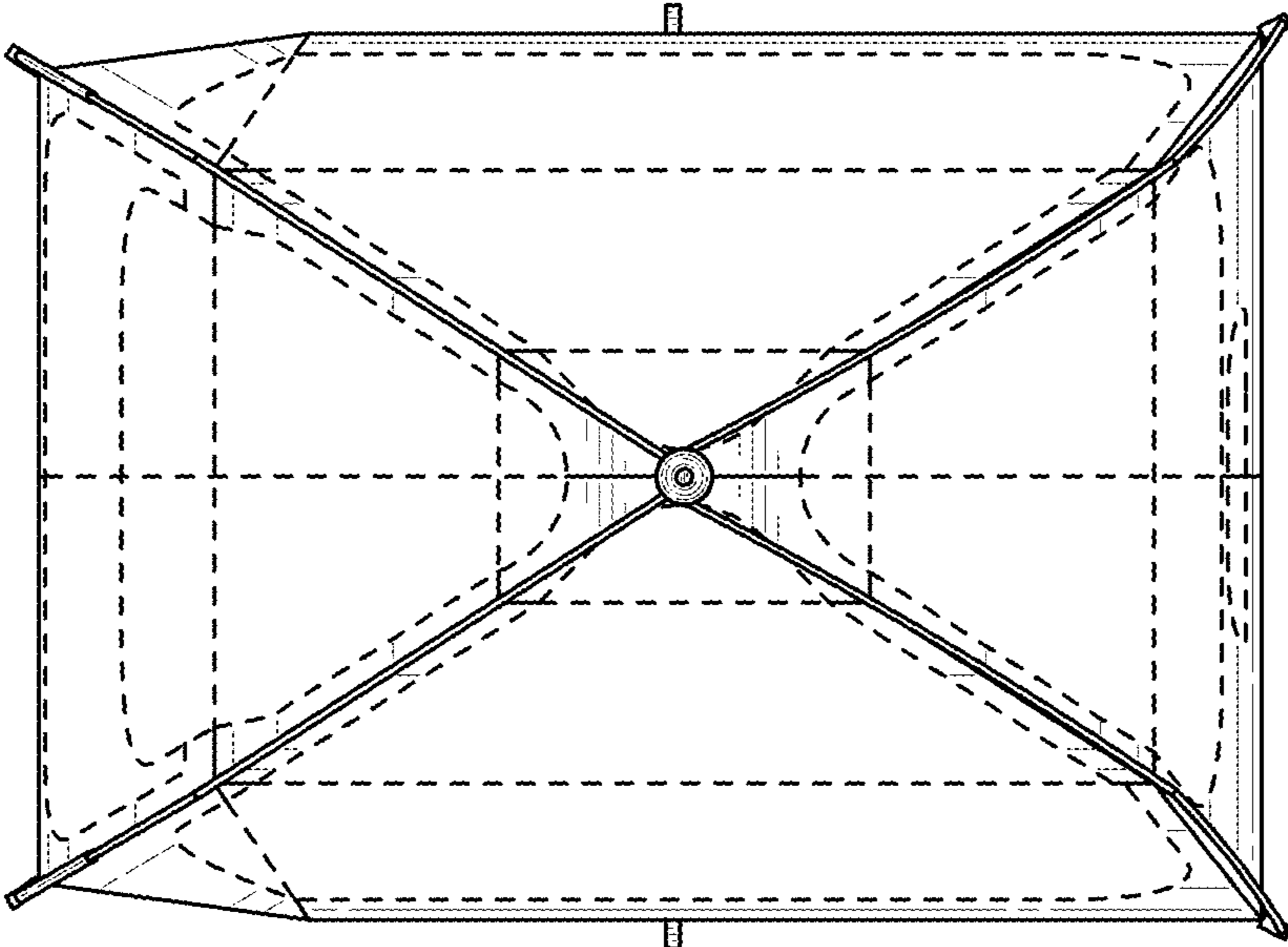


FIG. 4

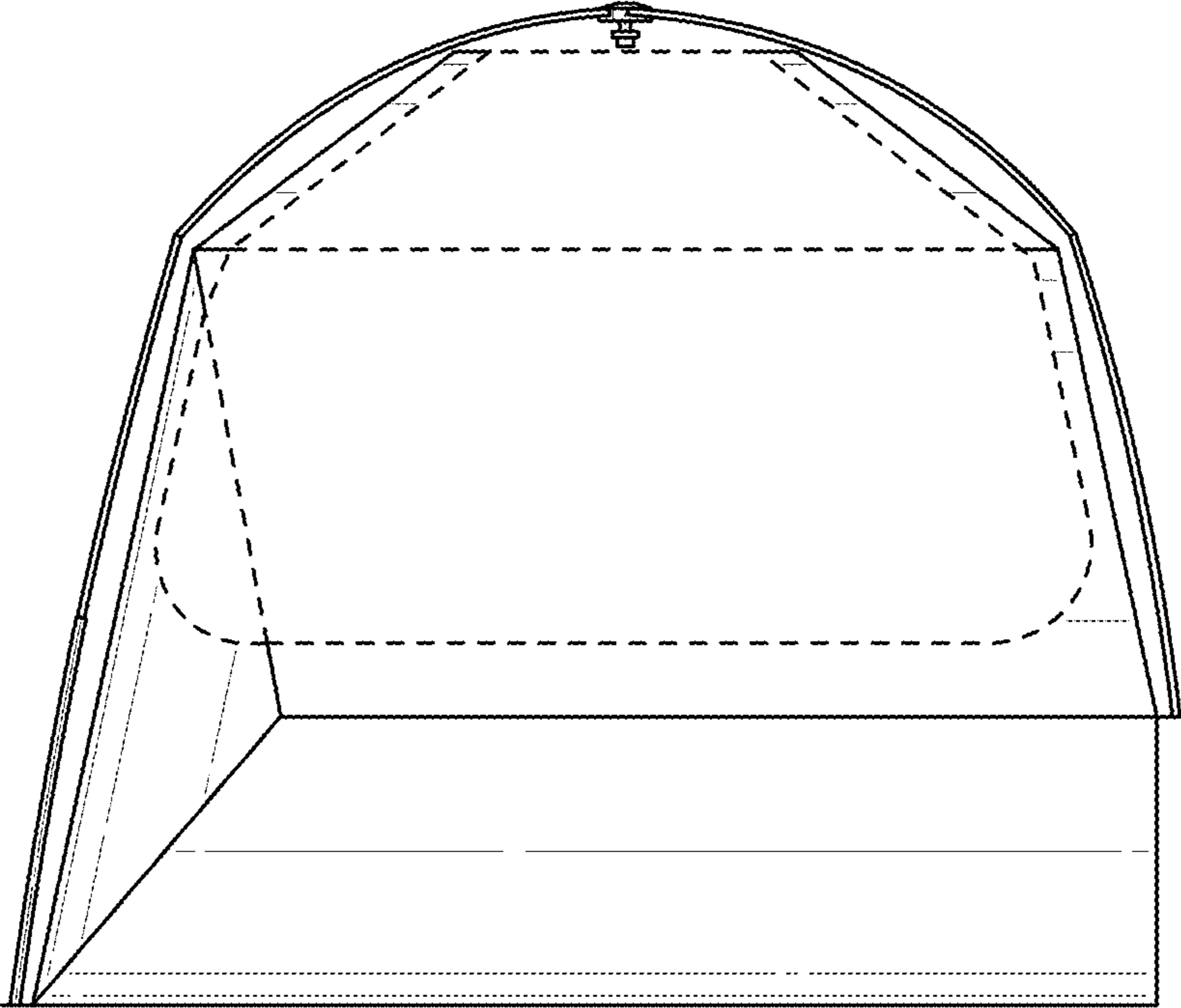


FIG. 5