



US00D957304S

(12) **United States Design Patent**
Cobb, Jr.

(10) **Patent No.:** **US D957,304 S**
(45) **Date of Patent:** **** Jul. 12, 2022**

- (54) **SOLAR CATAMARAN BOAT**
- (71) Applicant: **William Thomas Cobb, Jr., St.**
Petersburg, FL (US)
- (72) Inventor: **William Thomas Cobb, Jr., St.**
Petersburg, FL (US)
- (**) Term: **15 Years**
- (21) Appl. No.: **29/727,046**
- (22) Filed: **Mar. 8, 2020**
- (51) **LOC (13) Cl.** **12-06**
- (52) **U.S. Cl.**
USPC **D12/304**
- (58) **Field of Classification Search**
USPC D12/300, 304, 310, 317
CPC B63B 35/34; B63B 35/36; B63B 35/38;
B63B 1/10; B63B 1/12; B63B 1/121;
B63B 1/125; B63B 1/042; B63B
2001/206; B63B 34/05; B63B 7/00
See application file for complete search history.

(56) **References Cited**

U.S. PATENT DOCUMENTS

D221,809 S *	9/1971	Harmon	D12/306
D228,312 S *	9/1973	Love	D12/310
D256,447 S *	8/1980	Upchurch	D12/310
4,295,236 A *	10/1981	Upchurch	B63B 7/02 114/357
5,052,324 A *	10/1991	Lesly	B63B 7/04 114/353
5,074,233 A *	12/1991	Weed	B63B 34/05 114/61.24
D355,633 S *	2/1995	Whitney	D12/304
5,413,066 A *	5/1995	Spencer, Jr.	B63H 16/14 114/354
5,651,706 A *	7/1997	Kasper	B63B 7/085 440/29
D390,528 S *	2/1998	Roberson	D12/304
5,718,612 A	2/1998	Elsholz		

6,000,353 A * 12/1999 De Leu B63B 1/121
114/61.1
D606,481 S 12/2009 Stepp
8,132,523 B2 * 3/2012 White, Jr. B63B 7/04
114/61.1

(Continued)

Primary Examiner — Cynthia M. Chin

(74) *Attorney, Agent, or Firm* — Larson & Larson, P.A.;
Frank Liebenow; Justin P. Miller

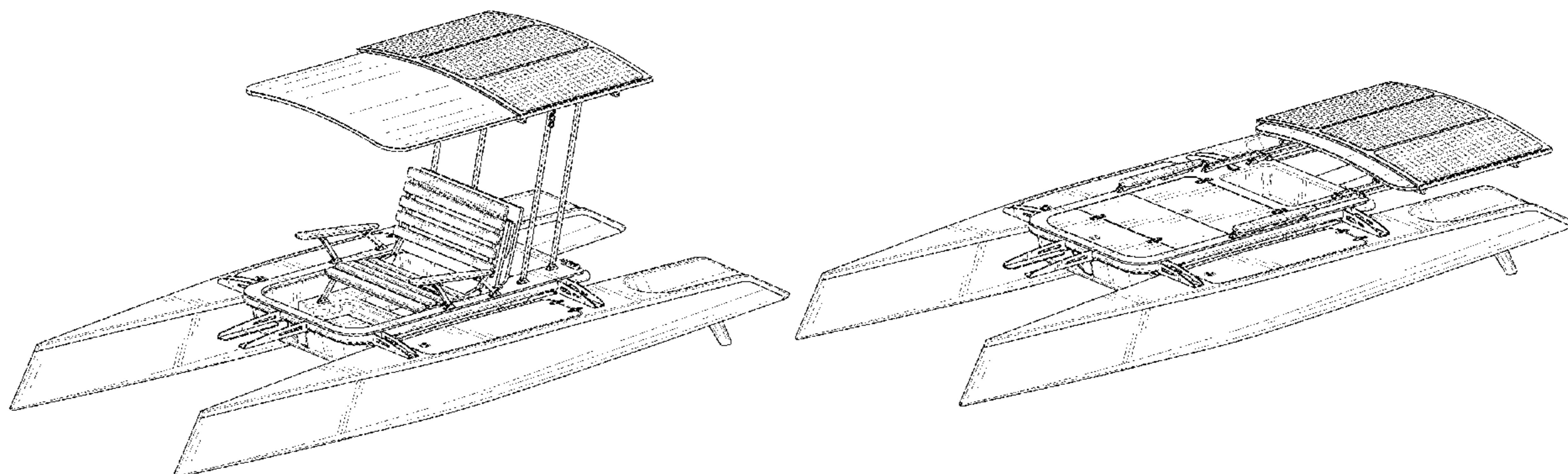
(57) **CLAIM**

The ornamental design for a solar catamaran boat, as shown and described.

DESCRIPTION

FIG. 1 is an upper-left-front perspective view of a solar catamaran boat showing my new design;
FIG. 2 is an upper-left-front perspective view thereof;
FIG. 3 is an upper-left-front perspective view thereof with the top folded;
FIG. 4 is an upper-left-front perspective view thereof with the top and seat folded;
FIG. 5 is an upper-left-rear perspective view thereof with both the top and seat deployed;
FIG. 6 is an upper-left-rear perspective view thereof with the top partially retracted;
FIG. 7 is an upper-left-rear perspective view thereof with the top retracted;
FIG. 8 is an upper-left-rear perspective view thereof with the top and seat retracted;
FIG. 9 is a front view thereof with top and seat deployed;
FIG. 10 is a rear view thereof with top and seat deployed;
FIG. 11 is a left side view thereof with top and seat deployed; the right side view is a mirror image of the left side view; and,
FIG. 12 is a top view thereof with top deployed.
The broken lines shown are included for the purpose of illustrating portions of the solar catamaran boat which form no part of the claimed design.

1 Claim, 12 Drawing Sheets



(56)

References Cited

U.S. PATENT DOCUMENTS

D756,885	S	5/2016	Krawczyk	
10,427,769	B1 *	10/2019	Garrett	B62B 5/0083
10,807,678	B2 *	10/2020	Levin	B63B 17/02
2001/0032574	A1 *	10/2001	Newton	B63B 35/38
				114/61.1
2007/0131155	A1 *	6/2007	Dingel	B63B 3/12
				114/345
2008/0314308	A1 *	12/2008	London	B63B 1/121
				114/354
2016/0068230	A1 *	3/2016	Clinton	B63B 34/50
				114/363
2019/0144076	A1 *	5/2019	Levin	B63B 1/121
				114/345
2020/0070939	A1 *	3/2020	Tian	B63B 32/10
2021/0024174	A1 *	1/2021	Roche	B63B 7/04
2021/0188404	A1 *	6/2021	Oryniak	B63B 1/121

* cited by examiner

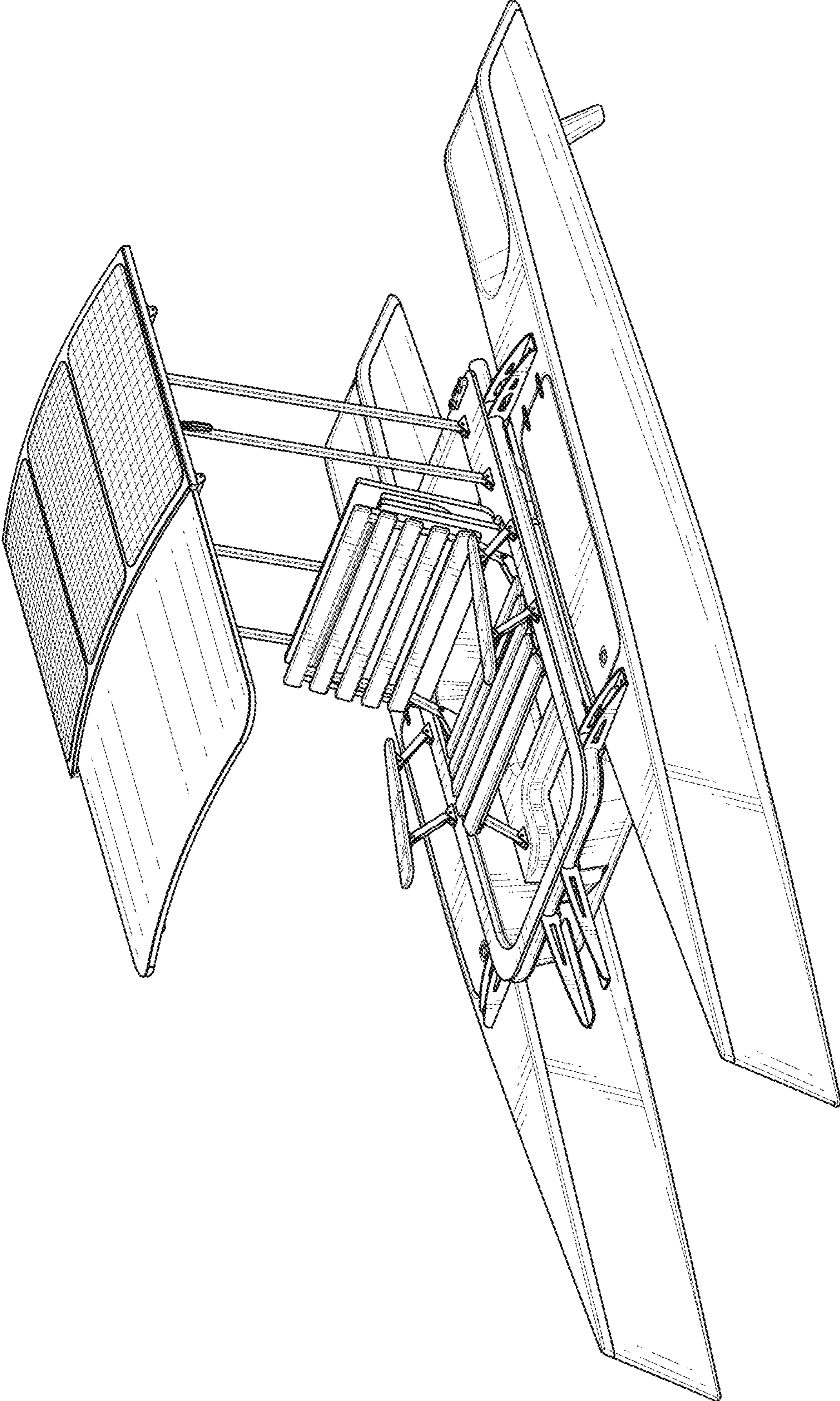


FIG. 1

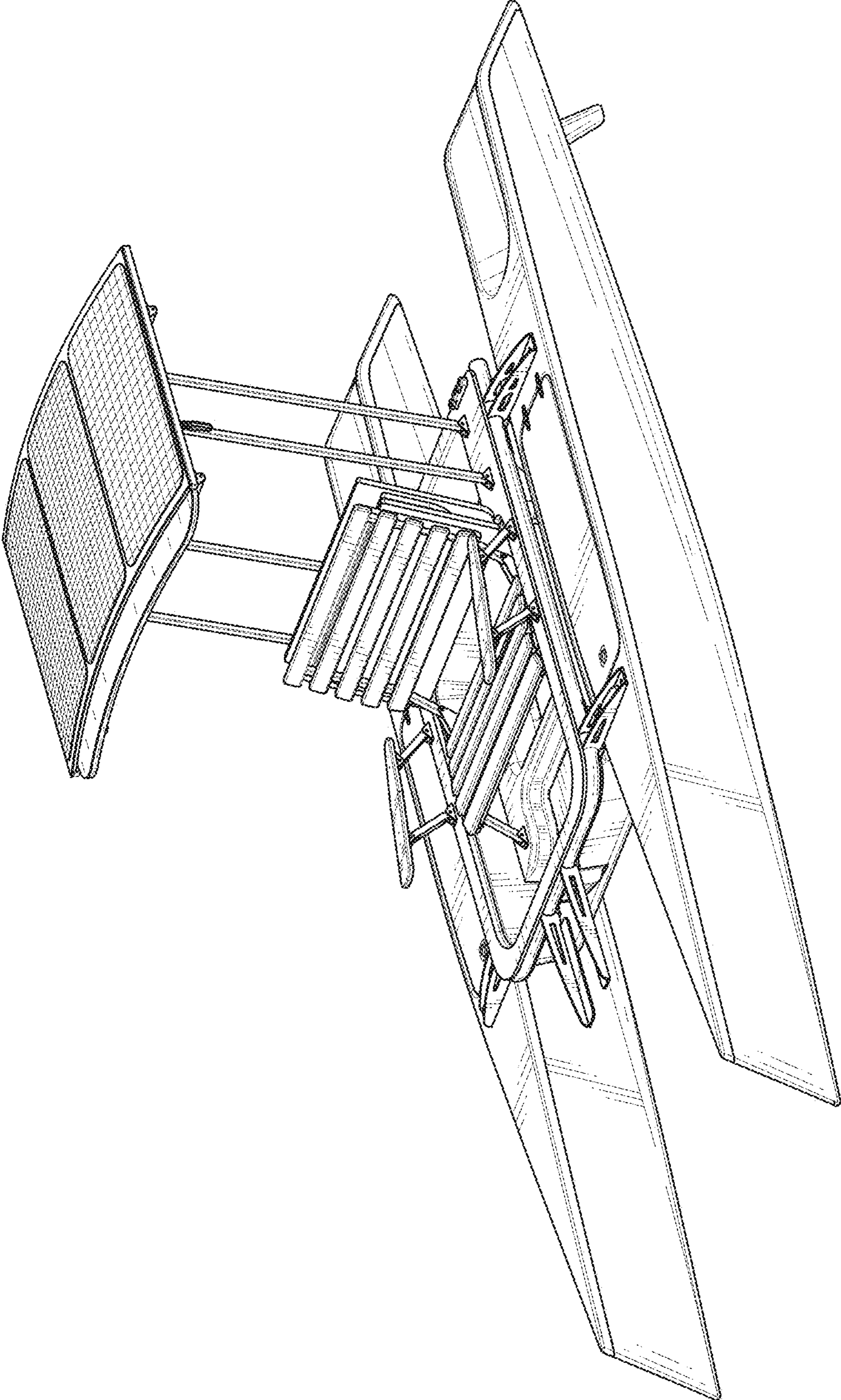


FIG. 2

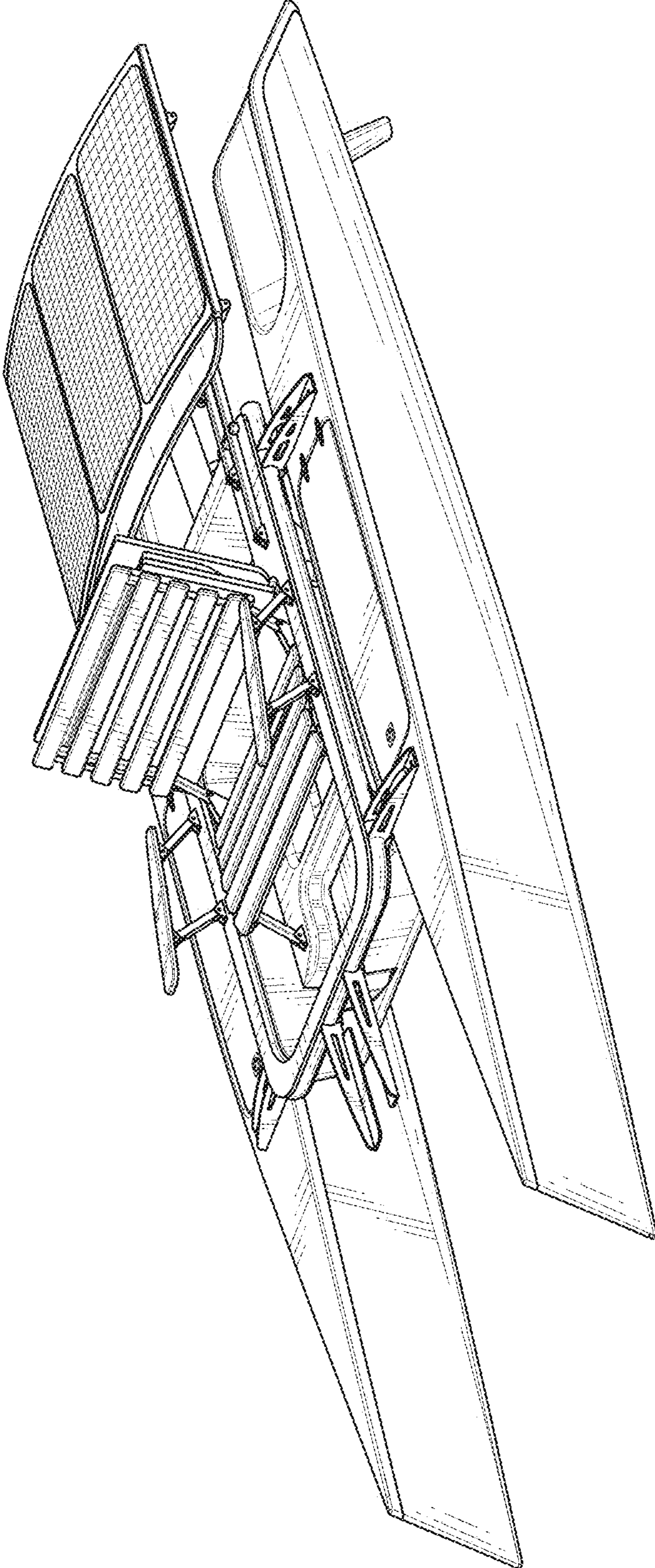


FIG. 3

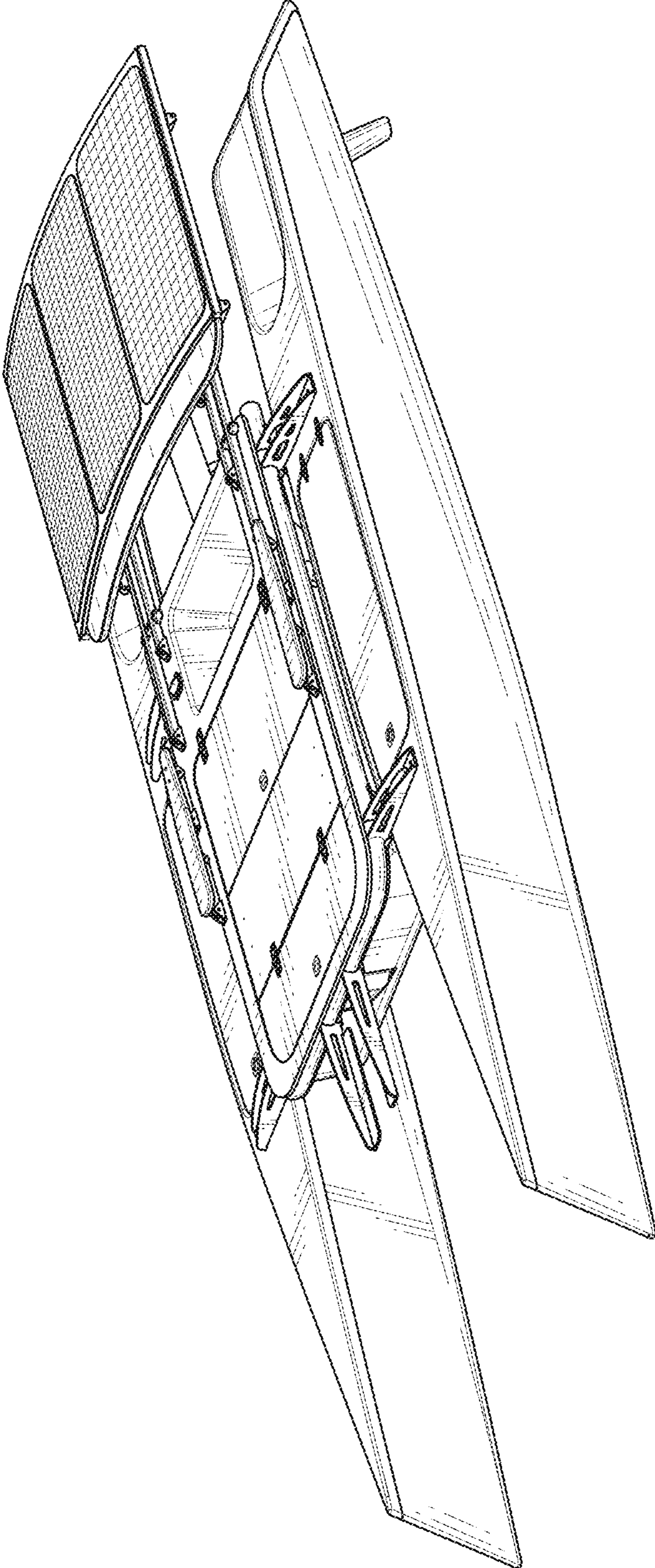


FIG. 4

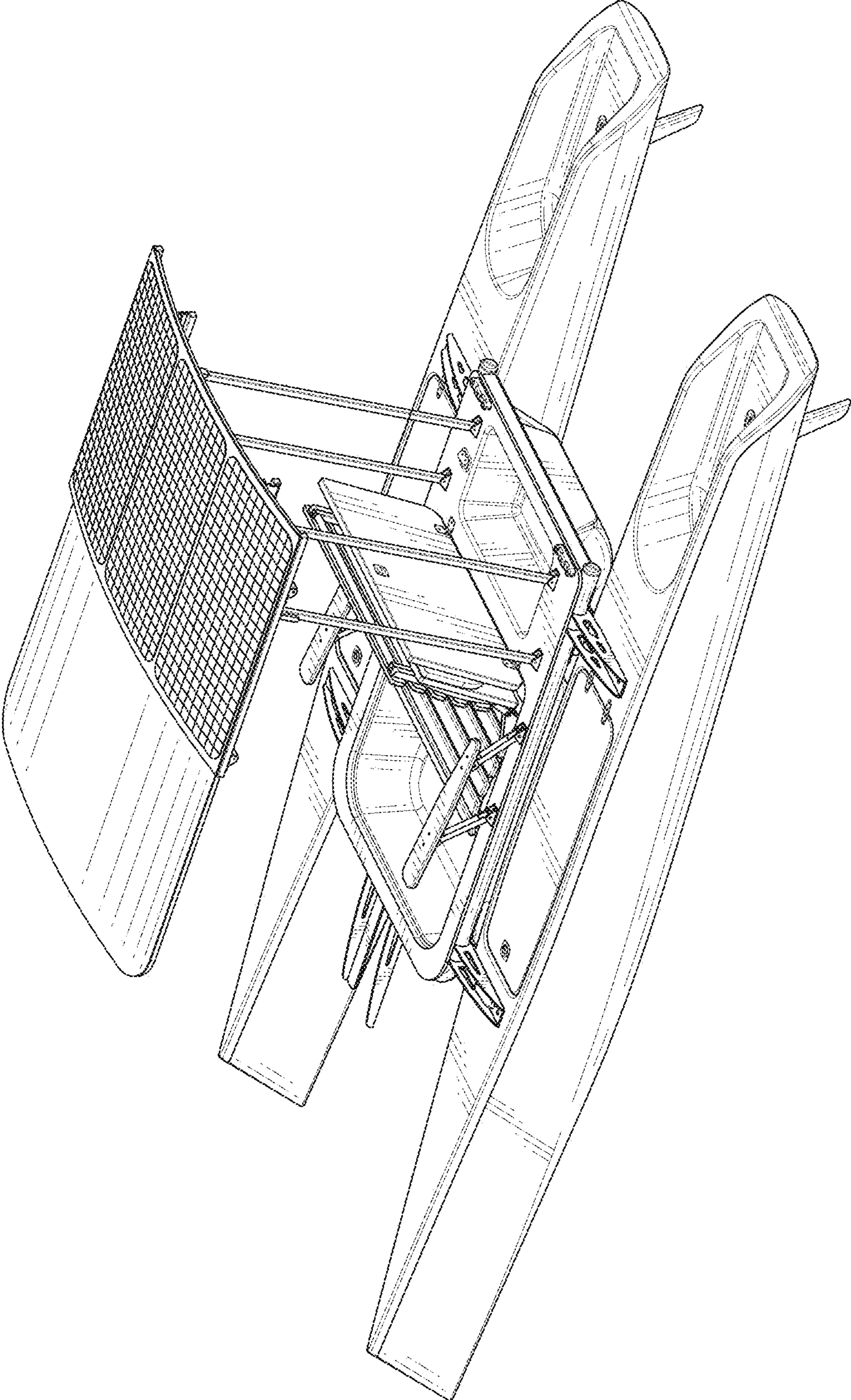


FIG. 5

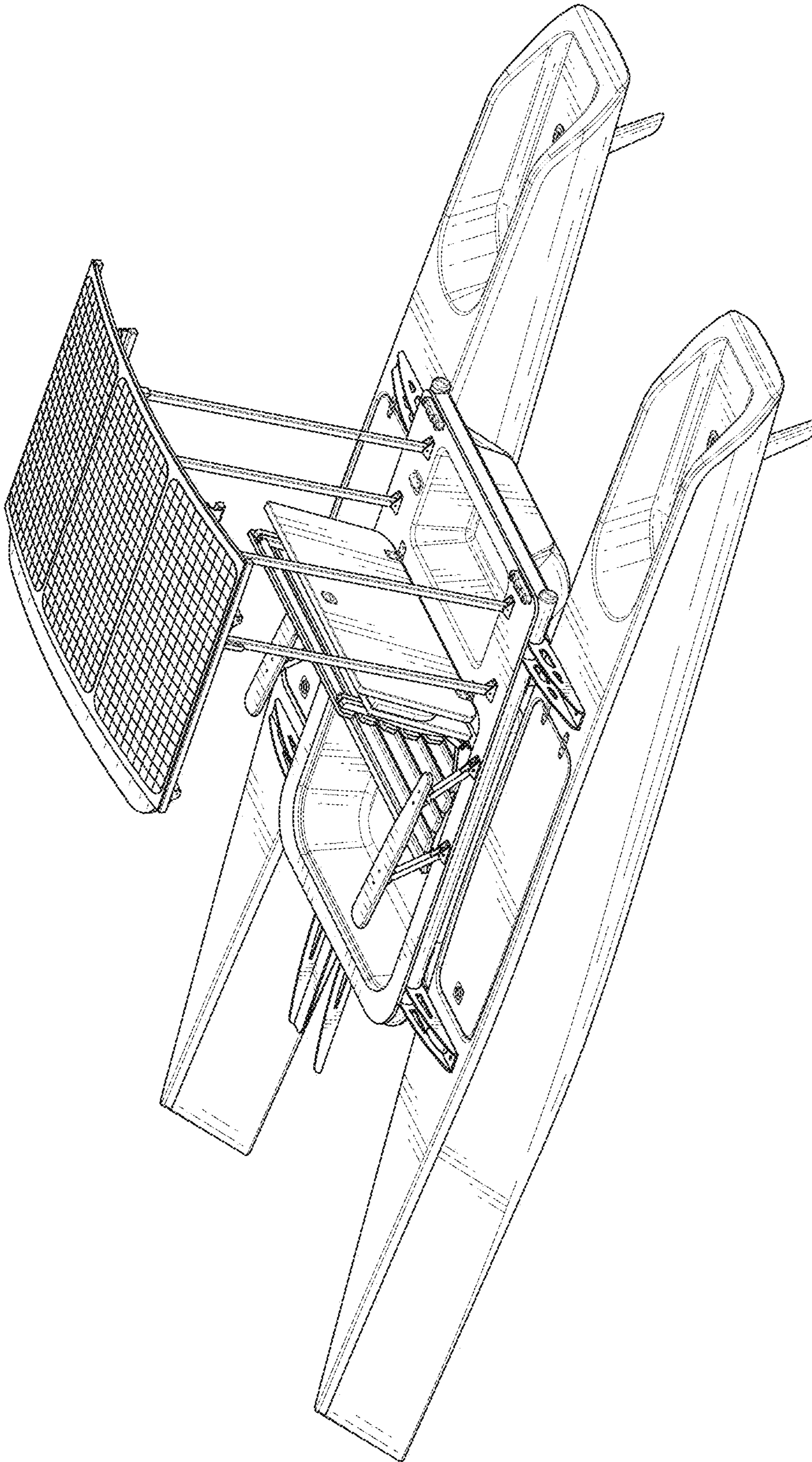


FIG. 6

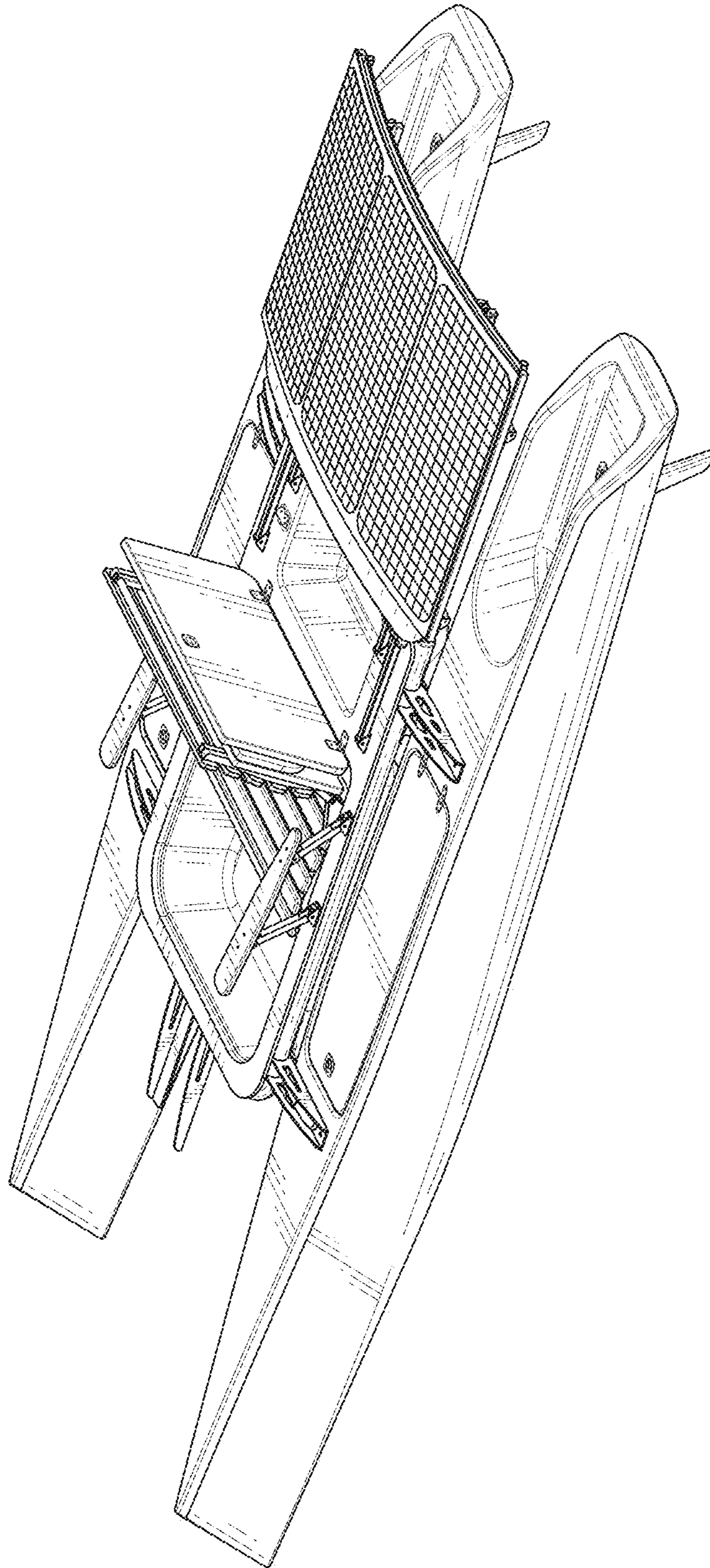


FIG. 7

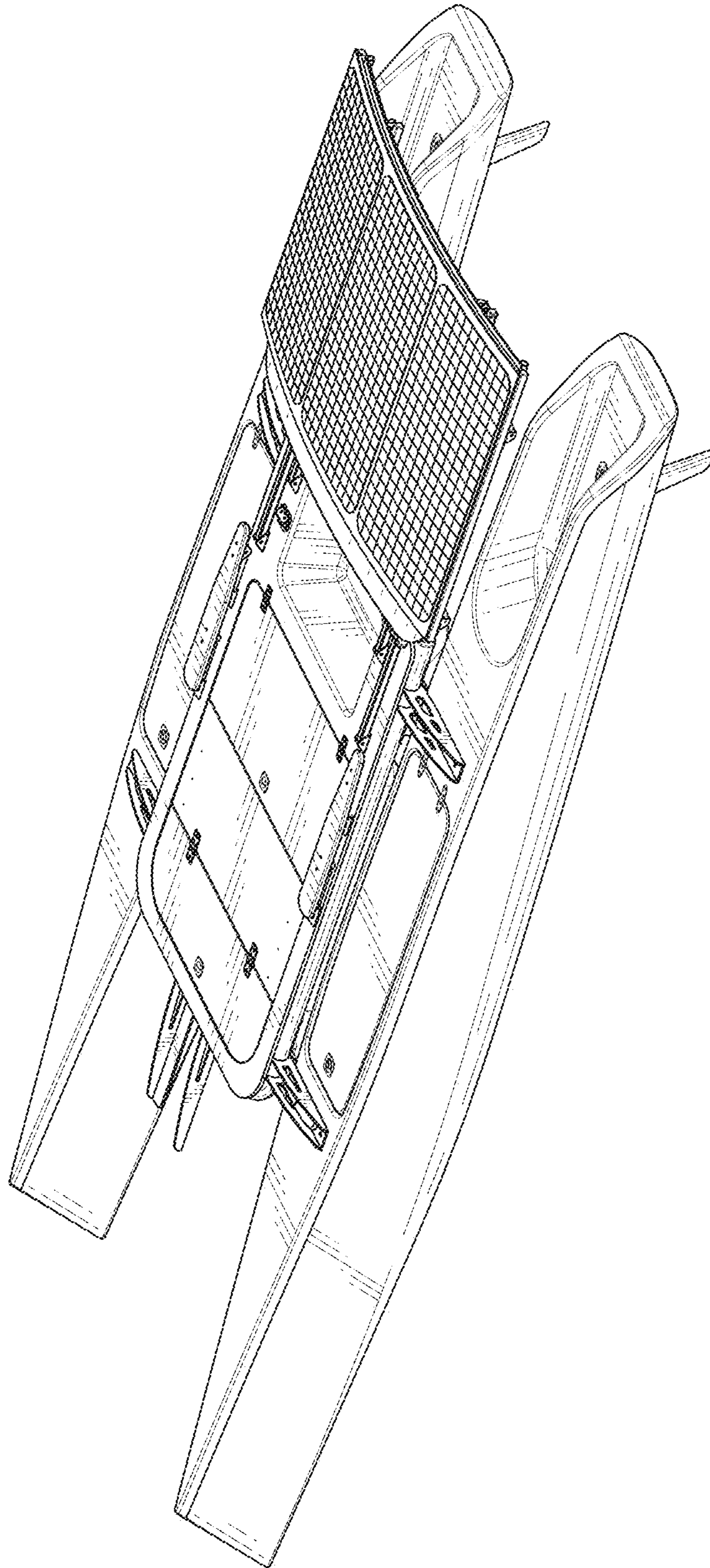


FIG. 8

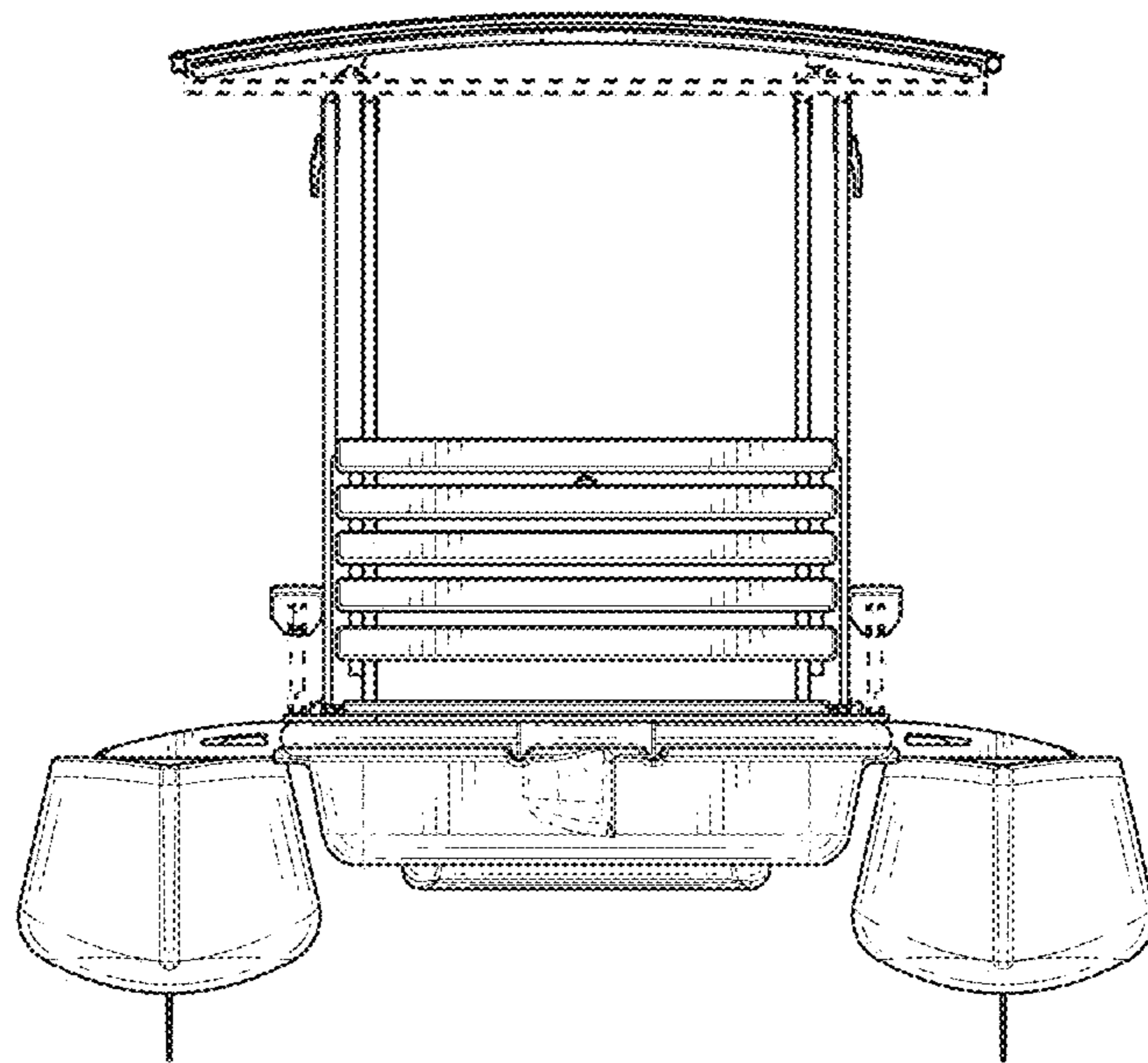


FIG. 9

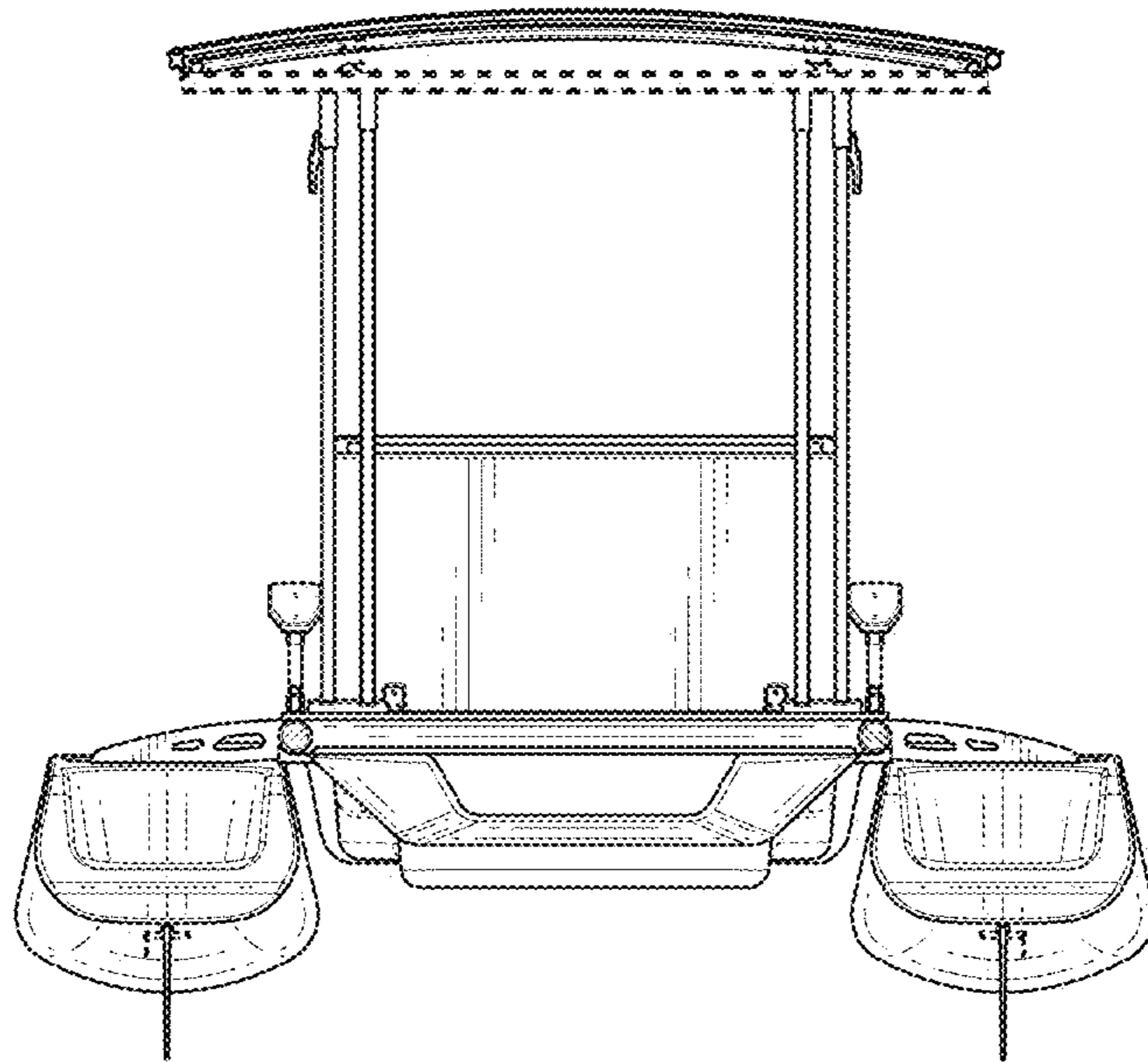


FIG. 10

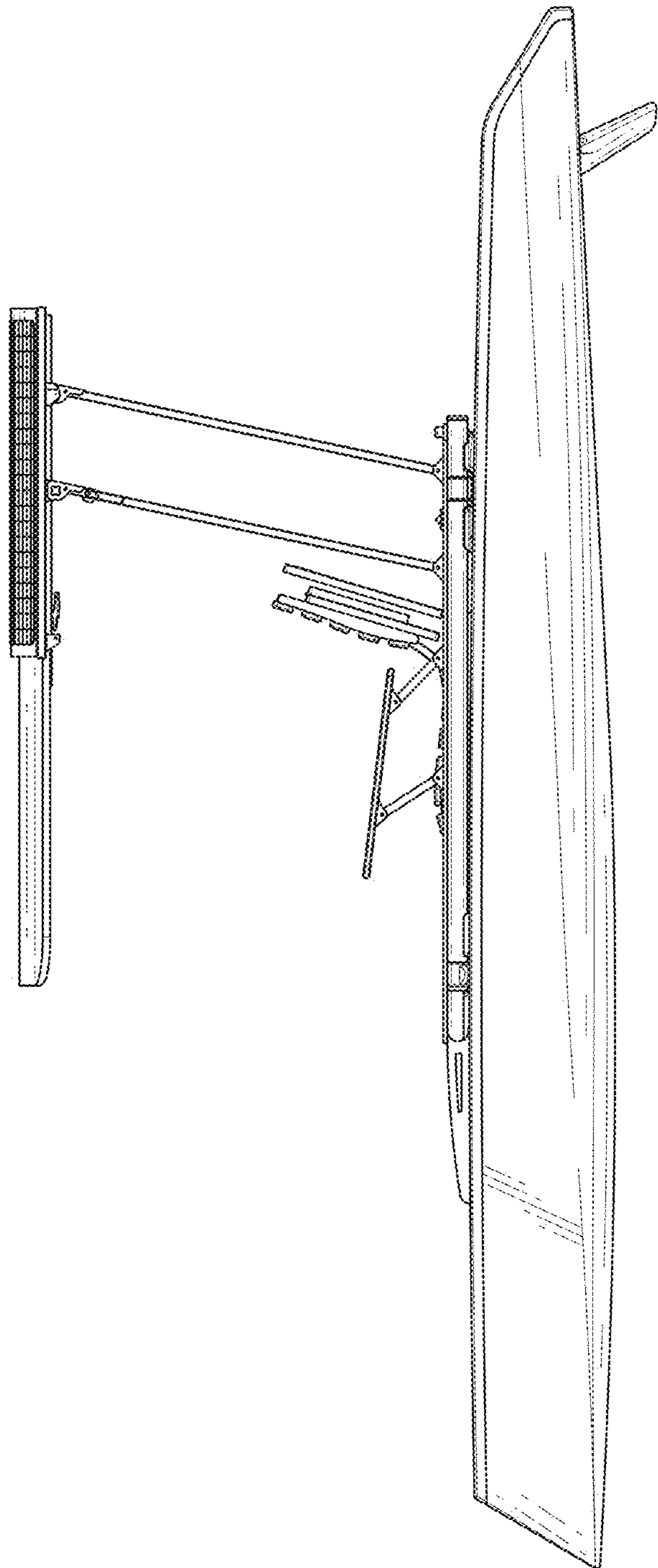


FIG. 11

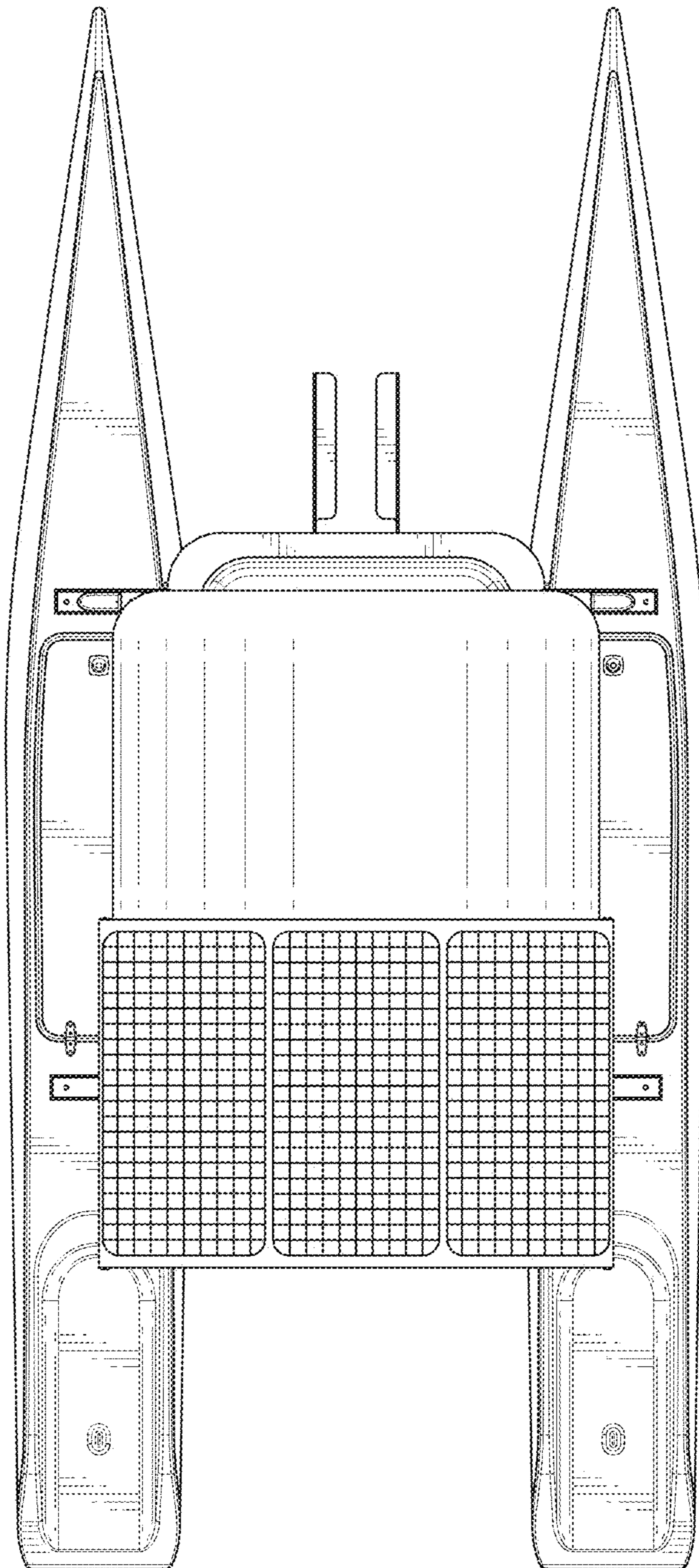


FIG. 12