



US00D957300S

(12) **United States Design Patent** (10) **Patent No.:** **US D957,300 S**  
**Mukti** (45) **Date of Patent:** **\*\* Jul. 12, 2022**

(54) **VEHICLE WHEEL**  
(71) Applicant: **Quarsa, LLC**, Chino, CA (US)  
(72) Inventor: **Ali Mukti**, Surabaya (ID)  
(73) Assignee: **Quarsa, LLC**, Chino, CA (US)  
(\*\*) Term: **15 Years**

D943,484 S \* 2/2022 Sempek ..... D12/209  
D944,174 S \* 2/2022 Swerdloff ..... D12/209  
D944,704 S \* 3/2022 Anscheidt ..... D12/209  
D945,342 S \* 3/2022 Sempek ..... D12/209  
D945,344 S \* 3/2022 Abderrazak ..... D12/209  
D945,348 S \* 3/2022 Sempek ..... D12/211  
D946,484 S \* 3/2022 Johnson ..... D12/209  
D947,740 S \* 4/2022 Bernoni ..... D12/209  
D947,741 S \* 4/2022 Manzoni ..... D12/209  
2022/0080784 A1 \* 3/2022 Yoon ..... B60B 21/026  
2022/0118793 A1 \* 4/2022 Kerkvliet ..... B60B 21/125

(21) Appl. No.: **29/764,319**  
(22) Filed: **Dec. 29, 2020**  
(51) **LOC (13) Cl.** ..... **12-16**  
(52) **U.S. Cl.**  
USPC ..... **D12/209**  
(58) **Field of Classification Search**  
USPC ..... D12/204–213; D21/563  
CPC ..... B60B 21/00; B60B 21/02; B60B 21/08;  
B60B 21/10; B60B 21/12; B60B 21/06;  
B60B 23/00  
See application file for complete search history.

**FOREIGN PATENT DOCUMENTS**

EM D220241-001 \* 4/2022

**OTHER PUBLICATIONS**

“16x6 820M Twisted Gloss Black Aluminum Trailer Wheel” Trailer Wheels., posted date Oct. 31, 2021 [online], [retrieved on May 5, 2020]. Retrieved from the Internet <URL: [https://www.trailer-wheels.com/16x6-820M-Twisted-Gloss-Black-Aluminum-Trailer-Wheel-8x650-820M-66080\\_p\\_1670.html#.YnRbqHbMJaq](https://www.trailer-wheels.com/16x6-820M-Twisted-Gloss-Black-Aluminum-Trailer-Wheel-8x650-820M-66080_p_1670.html#.YnRbqHbMJaq)> (Year: 2021).\*

(Continued)

(56) **References Cited**  
U.S. PATENT DOCUMENTS

D787,407 S \* 5/2017 Chung ..... D12/211  
D828,271 S \* 9/2018 Han ..... D12/211  
D828,878 S \* 9/2018 Sprowl ..... D21/563  
10,357,993 B2 \* 7/2019 Müller et al. .... B60B 1/08  
D860,904 S \* 9/2019 Milani ..... D12/209  
D860,908 S \* 9/2019 Han ..... D12/209  
D896,729 S \* 9/2020 Chung ..... D12/211  
D904,271 S \* 12/2020 Henderson ..... D12/209  
D904,272 S \* 12/2020 Lickliter ..... D12/209  
D904,274 S \* 12/2020 Sempek ..... D12/211  
D904,963 S \* 12/2020 Hale, Jr. .... D12/209  
D911,245 S \* 2/2021 Chung ..... D12/211  
D926,655 S \* 8/2021 Lickliter ..... D12/209  
D931,178 S \* 9/2021 Podlovits ..... D12/209  
D936,549 S \* 11/2021 Sempek ..... D12/209  
D941,724 S \* 1/2022 Sempek ..... D12/209  
D941,725 S \* 1/2022 Sempek ..... D12/209

*Primary Examiner* — Darlington Ly  
*Assistant Examiner* — Nasim Abdulaziz Ali  
(74) *Attorney, Agent, or Firm* — Snell & Wilmer L.L.P.

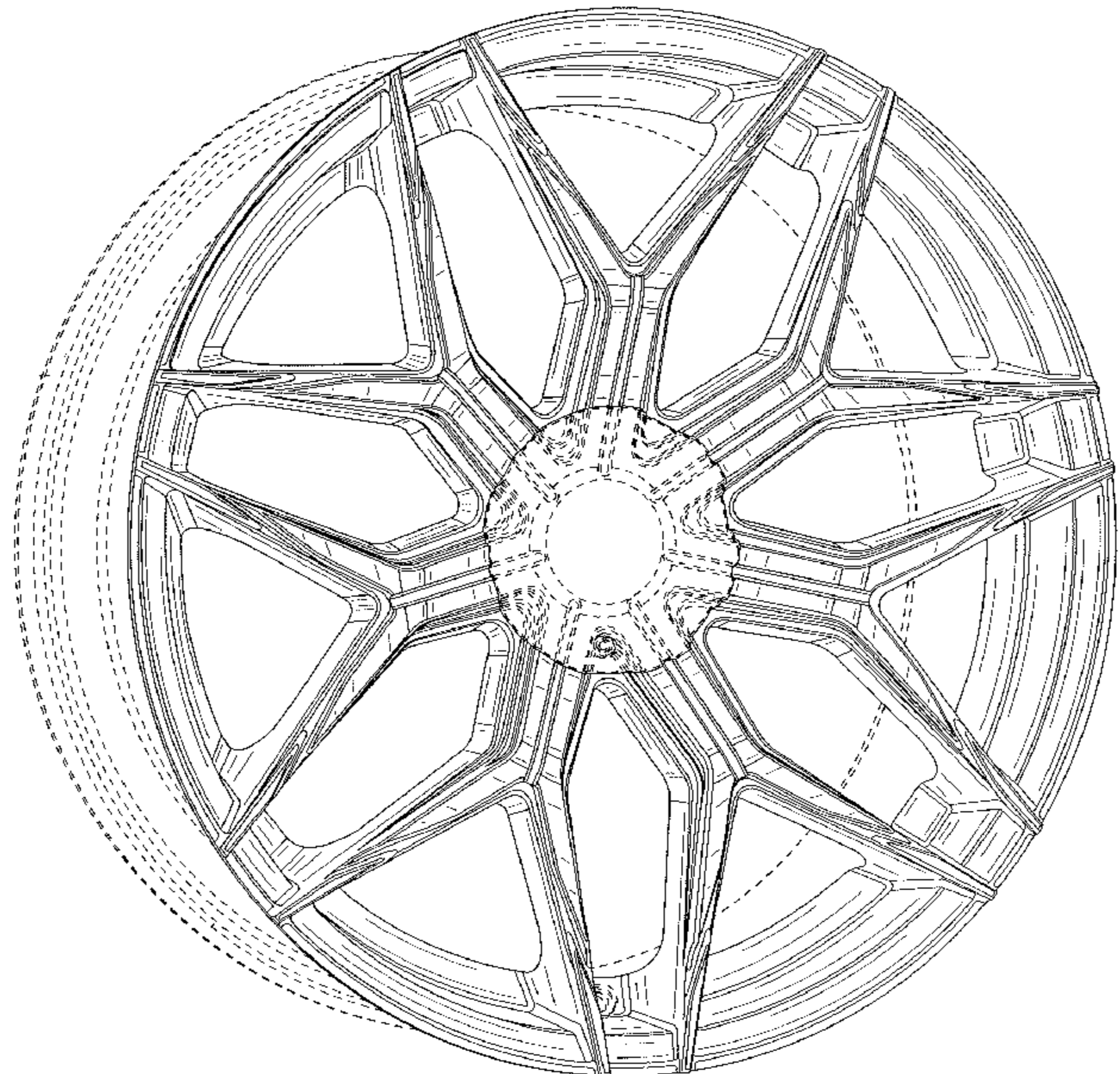
(57) **CLAIM**

I claim the ornamental design for a vehicle wheel, as shown and described.

**DESCRIPTION**

FIG. 1 is a front perspective view of the vehicle wheel showing my new design; and, FIG. 2 is a front elevation view thereof. The broken line in the drawings illustrate portions of the vehicle wheel that form no part of the claimed design.

**1 Claim, 2 Drawing Sheets**



(56)

**References Cited**

OTHER PUBLICATIONS

“Raceline Wheels 944 Outlander” SoCal Custom Wheels., posted date Mar. 20, 2019 [online], [retrieved on May 5, 2020]. Retrieved from the Internet <URL: <https://www.socalcustomwheels.com/944-outlander-gloss-black-6-lug-w-54008.htm>> (Year: 2019).\*

“Touren TR60 18 Black Wheel/Rim” Motosport., posted date Oct. 14, 2012 [online], [retrieved on May 5, 2020]. Retrieved from the Internet <URL: [https://www.amazon.com/Touren-Black-Offset-Partnumber-3260-8811MB/dp/B009LR2CMM/ref=sr\\_1\\_12?keywords=car+wheel+rims&qid=1651791685&sr=8-12](https://www.amazon.com/Touren-Black-Offset-Partnumber-3260-8811MB/dp/B009LR2CMM/ref=sr_1_12?keywords=car+wheel+rims&qid=1651791685&sr=8-12)> (Year: 2012).\*

\* cited by examiner



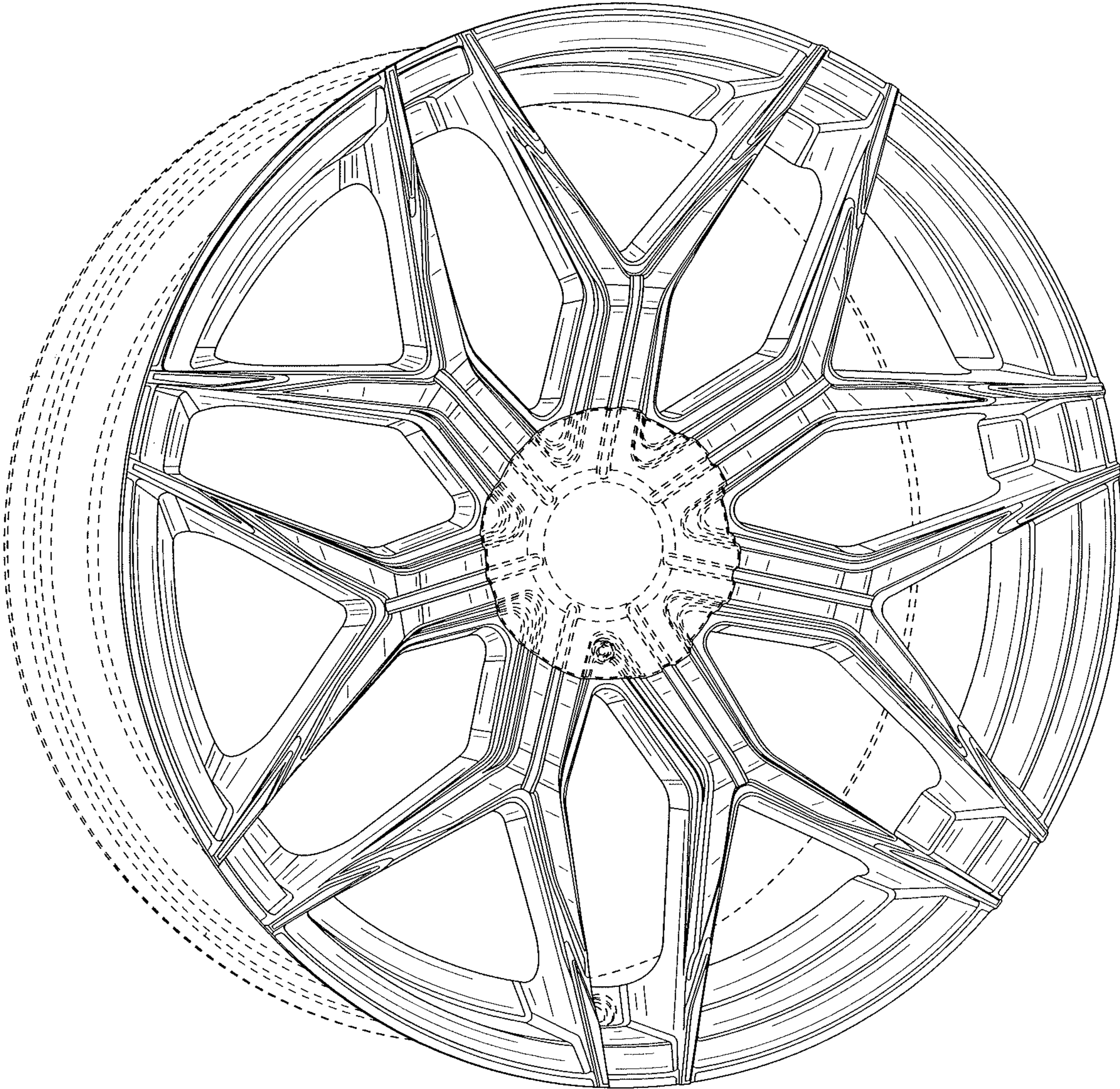


FIG. 1



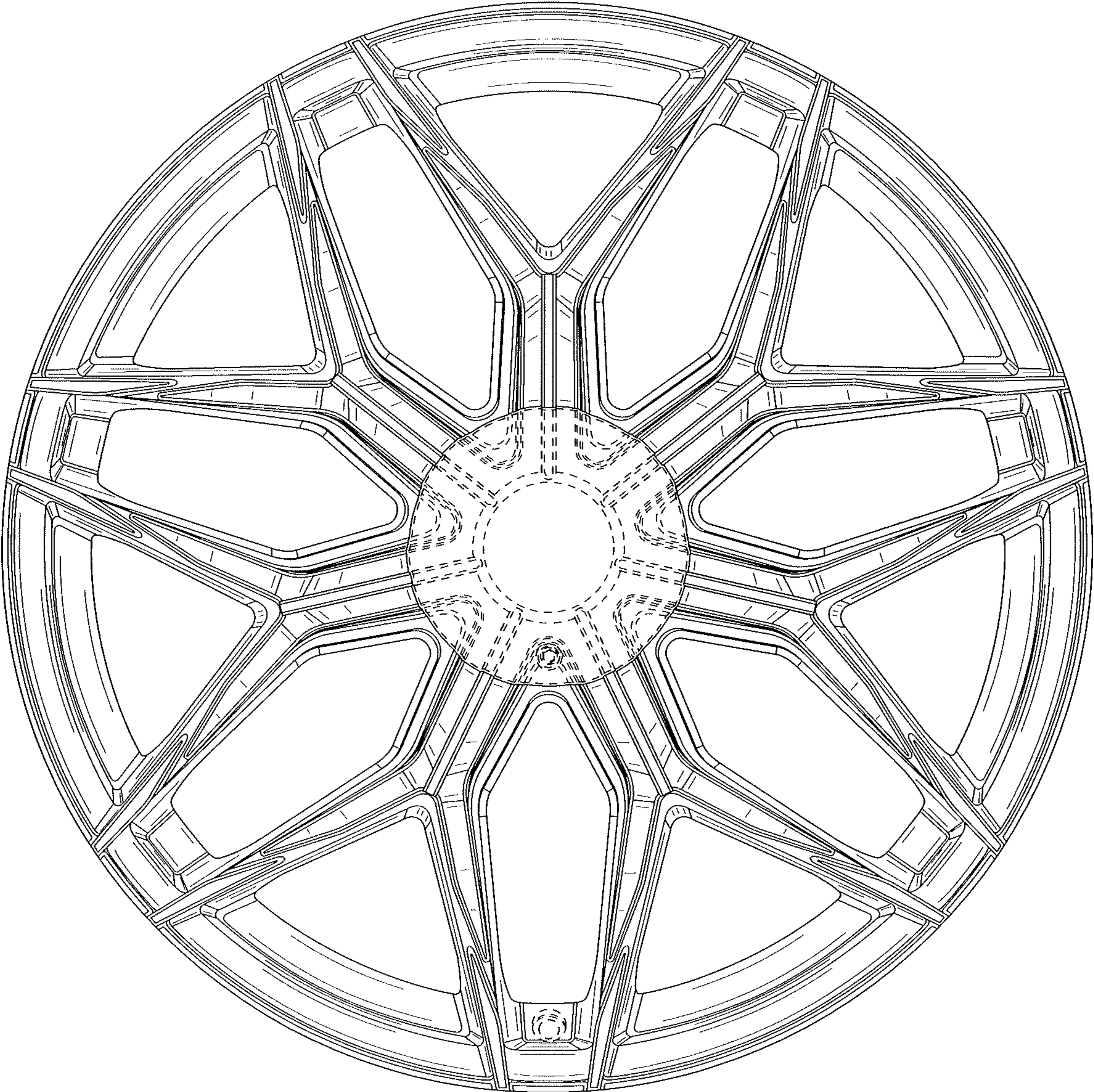


FIG. 2