



US00D957297S

(12) **United States Design Patent**
Song et al.

(10) **Patent No.:** **US D957,297 S**
(45) **Date of Patent:** **** Jul. 12, 2022**

(54) **AUTOMOBILE**
(71) Applicant: **LG Electronics Inc.**, Seoul (KR)
(72) Inventors: **Juneho Song**, Seoul (KR); **Sewon Chun**, Seoul (KR); **Seungmo Kang**, Seoul (KR); **Romain Diboine**, Seoul (KR)

D666,544 S * 9/2012 Tsay D12/195
D770,349 S * 11/2016 Ahn D12/195
D787,999 S * 5/2017 LeFranc D12/195
D788,000 S * 5/2017 LeFranc D12/195
D796,403 S * 9/2017 Ahn D12/195
D849,625 S * 5/2019 Yamamoto D12/195
D849,626 S * 5/2019 Hawkins D12/195
10,875,435 B1 * 12/2020 Battaglia B60N 2/853
D911,918 S * 3/2021 Borgogno B60N 2/853
D12/416

(73) Assignee: **LG ELECTRONICS INC.**, Seoul (KR)

* cited by examiner

(**) Term: **15 Years**

Primary Examiner — Joseph Kukella

(21) Appl. No.: **35/509,608**

(74) *Attorney, Agent, or Firm* — Birch, Stewart, Kolasch & Birch, LLP

(22) Filed: **Oct. 16, 2019**

(57) **CLAIM**

(80) **Hague Agreement Data**

Int. Filing Date: **Oct. 16, 2019**
Int. Reg. No.: **DM/208476**
Int. Reg. Date: **Oct. 16, 2019**
Int. Reg. Pub. Date: **Jun. 12, 2020**

The ornamental design for an automobile, as shown and described.

(30) **Foreign Application Priority Data**

Apr. 16, 2019 (KR) 30-2019-0017870

(51) **LOC (13) Cl.** **12-08**

(52) **U.S. Cl.**
USPC **D12/195**

(58) **Field of Classification Search**
USPC D12/190, 195
CPC B60R 13/02; B62D 31/00; B62D 31/003
See application file for complete search history.

DESCRIPTION

- 1. Automobile
- 1.1 : Perspective
- 1.2 : Front
- 1.3 : Back
- 1.4 : Left
- 1.5 : Top

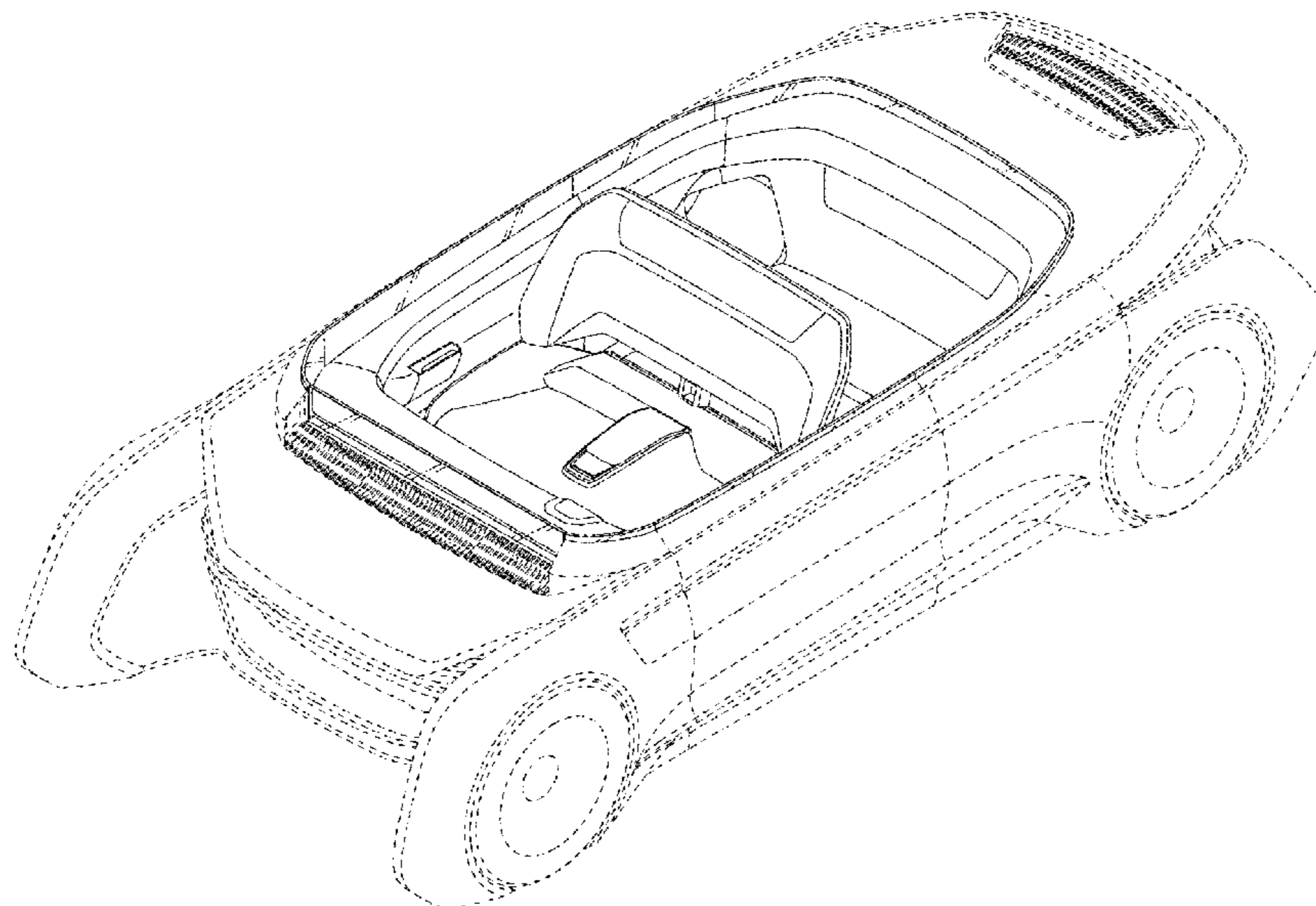
The broken lines depict portions of the automobile that form no part of the claimed design; the fine lines on the drawings indicate the curved surface and display part; reproduction 1.1 is a front perspective view of the automobile; reproduction 1.2 is a front view thereof; reproduction 1.3 is a back view thereof; reproduction 1.4 is a left view thereof where the right view is a mirror image; reproduction 1.5 is a top view thereof; the bottom view is omitted since that cannot be seen in use; this design also has a transparent display at the front.

(56) **References Cited**

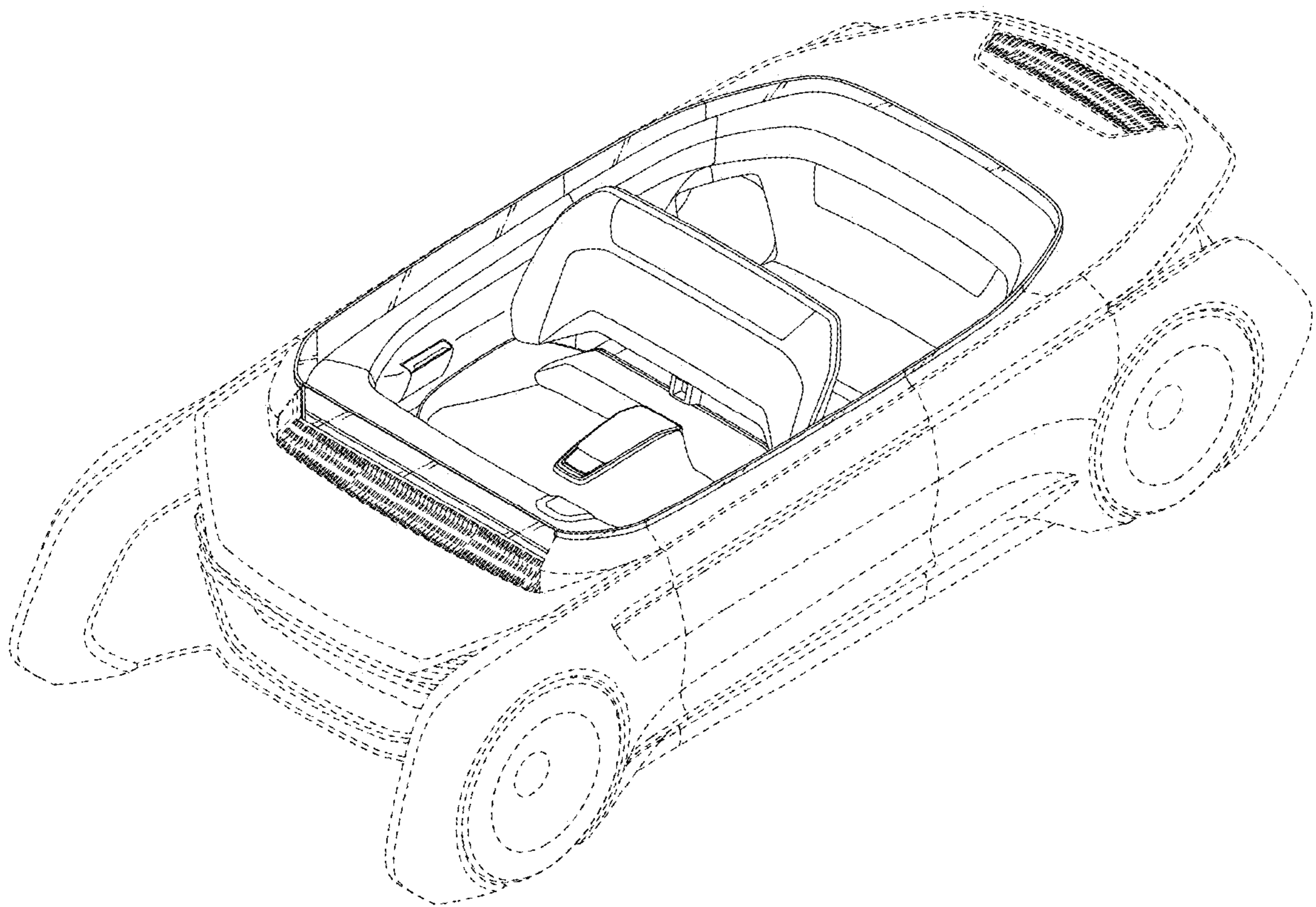
U.S. PATENT DOCUMENTS

D524,211 S * 7/2006 Tsuchiya D12/195
D630,987 S * 1/2011 Edwards D12/195

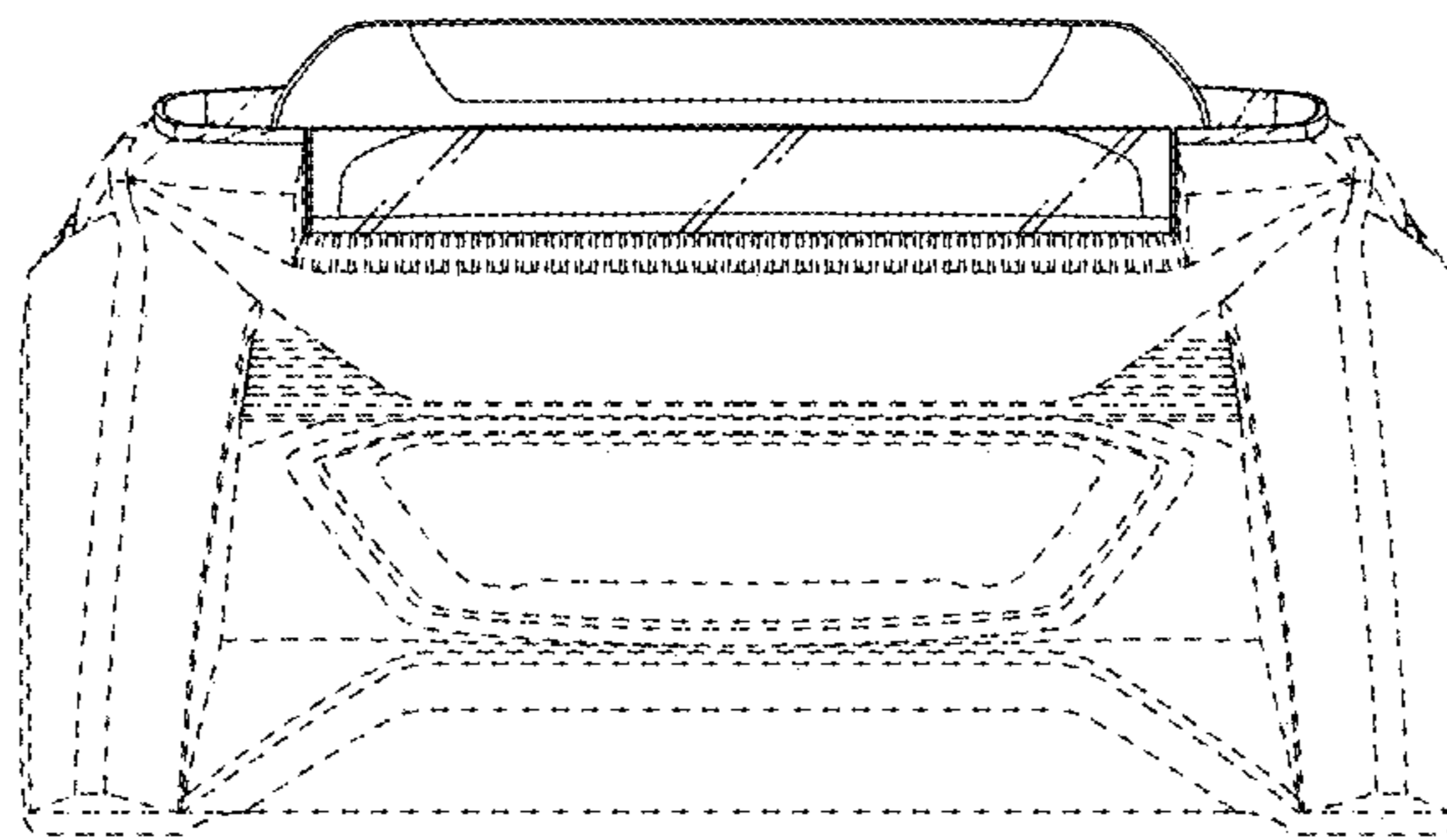
1 Claim, 5 Drawing Sheets



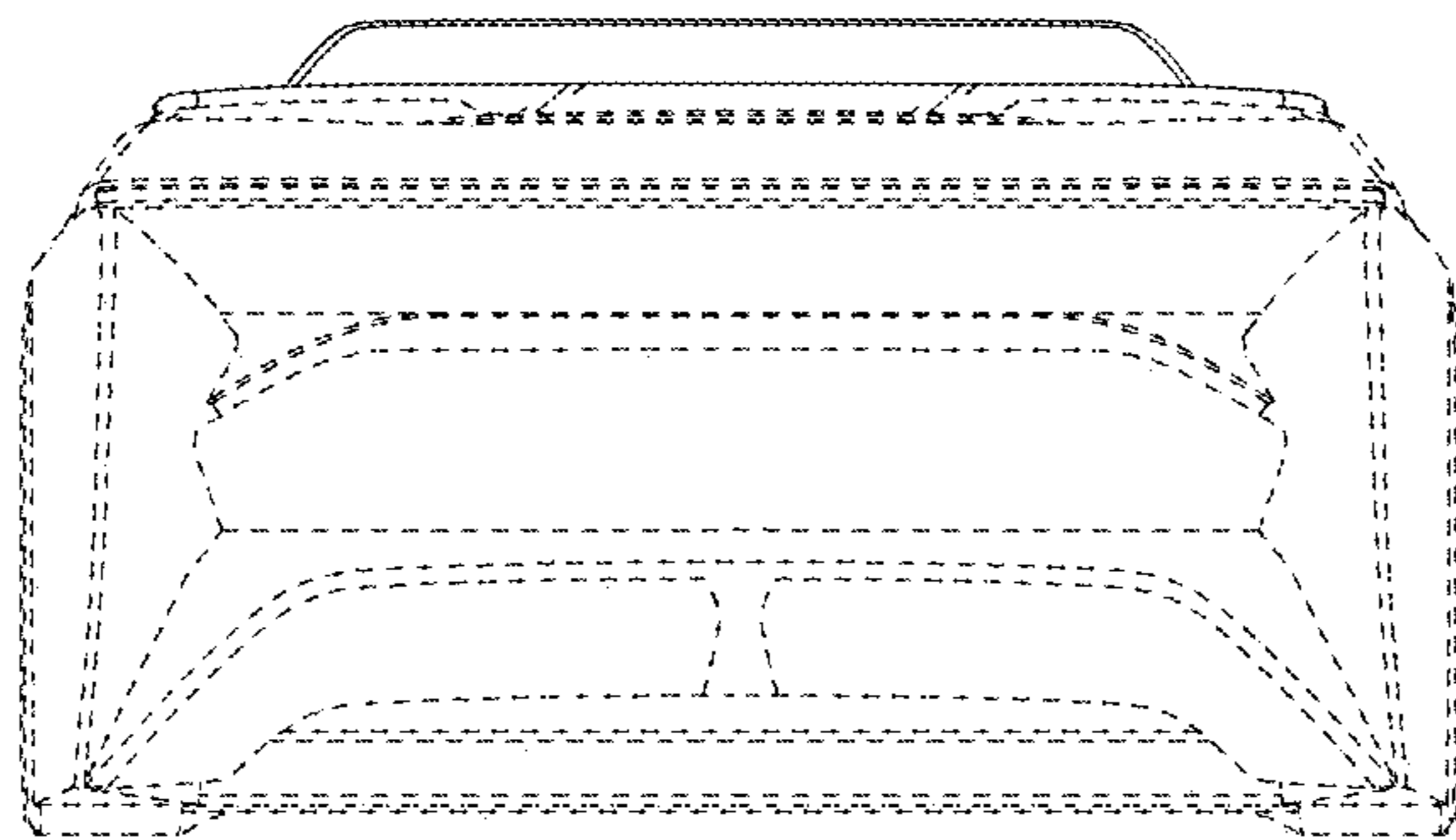
1. 1



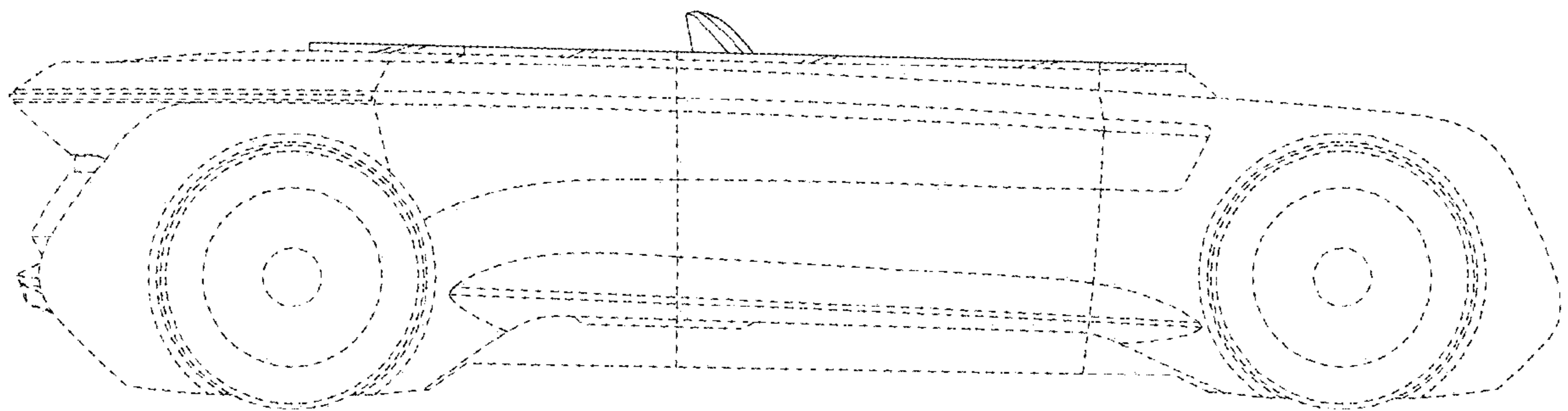
1. 2



1. 3



1. 4



1. 5

