



US00D957295S

(12) **United States Design Patent** (10) **Patent No.:** **US D957,295 S**  
**Pérot** (45) **Date of Patent:** **\*\* Jul. 12, 2022**

(54) **STEERING WHEEL**  
(71) Applicant: **Polestar Performance AB**, Gothenburg (SE)  
(72) Inventor: **Benjamin Pérot**, Gothenburg (SE)  
(73) Assignee: **Polestar Performance AB**, Gothenburg (SE)  
(\*\*) Term: **15 Years**  
(21) Appl. No.: **29/746,609**  
(22) Filed: **Aug. 14, 2020**

D653,180 S 1/2012 Tanaka et al.  
D663,244 S 7/2012 Won et al.  
D671,464 S 11/2012 Baccus et al.  
D672,293 S 12/2012 Toyama et al.  
D684,511 S 6/2013 Koyama  
D688,606 S 8/2013 Balko et al.  
D692,813 S 11/2013 Koyama  
D696,991 S 1/2014 Bose et al.  
D696,992 S 1/2014 Pohanka et al.  
D704,108 S 5/2014 Frank et al.  
D709,006 S \* 7/2014 Busse ..... D12/176  
D710,769 S 8/2014 Cheung et al.  
D716,203 S 10/2014 Nakai  
D734,695 S 7/2015 Wiedeman et al.  
D741,759 S \* 10/2015 Persson ..... D12/176  
(Continued)

(30) **Foreign Application Priority Data**  
Feb. 14, 2020 (EM) ..... 007694435-0005  
Feb. 14, 2020 (EM) ..... 007694435-0006  
(51) **LOC (13) Cl.** ..... **12-16**  
(52) **U.S. Cl.**  
USPC ..... **D12/176**  
(58) **Field of Classification Search**  
USPC ..... D12/175, 176, 177; 74/552, 558, 558.5  
CPC ..... B60R 21/203; B60R 21/05; B62D 1/04  
See application file for complete search history.

**FOREIGN PATENT DOCUMENTS**

EM 001064406-0003 12/2008  
EM 002276550-0009 7/2013  
(Continued)

*Primary Examiner* — Melody N Brown  
(74) *Attorney, Agent, or Firm* — Patterson Thuent Pedersen, P.A.

(57) **CLAIM**

I claim the ornamental design for a steering wheel, as shown and described.

(56) **References Cited**

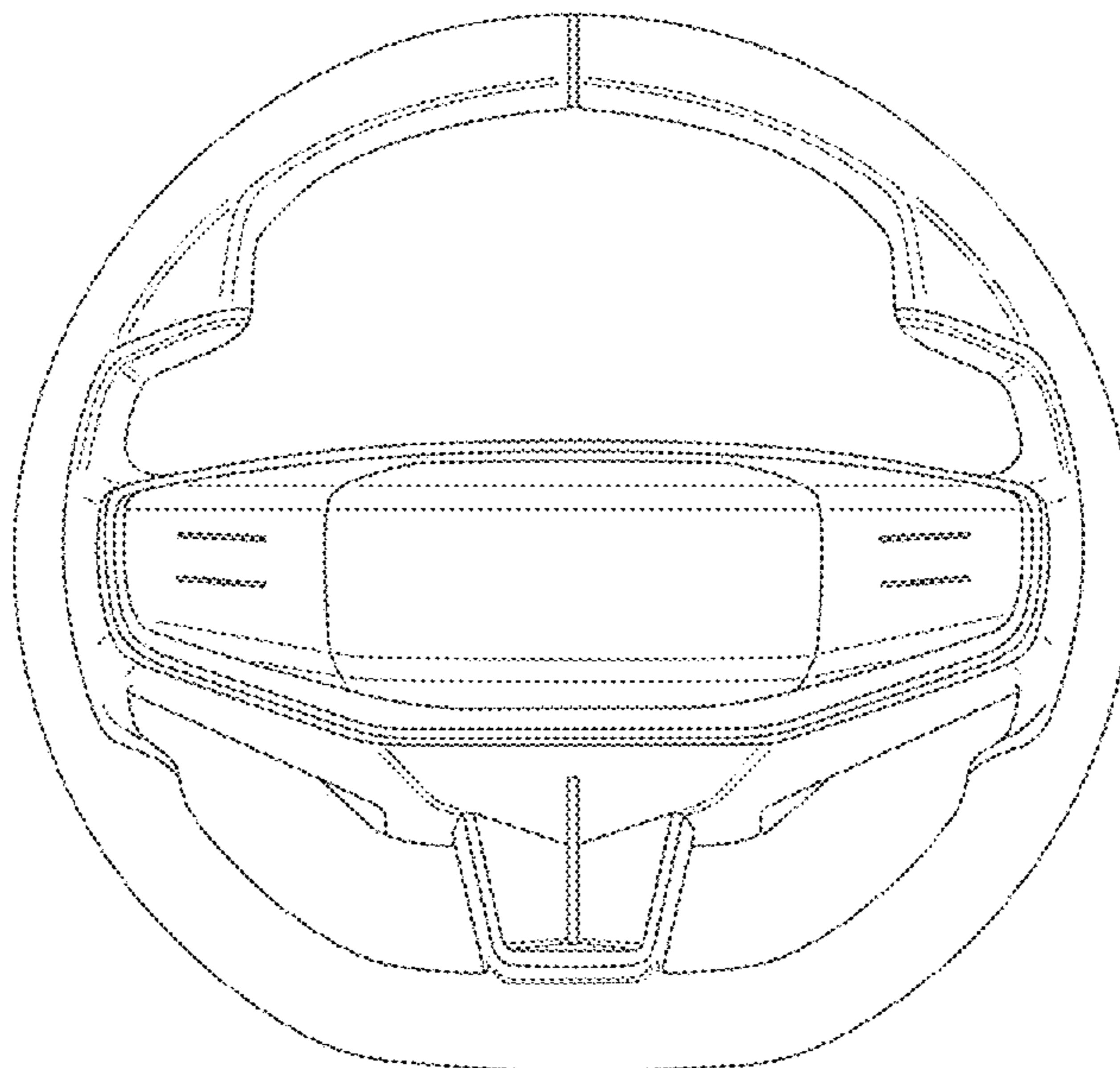
**DESCRIPTION**

**U.S. PATENT DOCUMENTS**

D467,529 S 12/2002 Ramos et al.  
D475,665 S 6/2003 Pfeiffer et al.  
D496,612 S 9/2004 Sieghart  
D511,485 S 11/2005 Juraschek et al.  
D514,485 S 2/2006 Juraschek et al.  
D535,924 S 1/2007 Kitajima  
D591,653 S 5/2009 Corradi  
D630,983 S 1/2011 Frank et al.  
D635,069 S 3/2011 Klein et al.  
D635,900 S 4/2011 Anzi  
D636,711 S 4/2011 Anzi

FIG. 1 is a front and left side perspective view of a steering wheel showing my new design;  
FIG. 2 is a front and right side perspective view thereof;  
FIG. 3 is a front elevational view thereof;  
FIG. 4 is a left side elevational view thereof;  
FIG. 5 is a top plan view thereof;  
FIG. 6 is a right side elevational view thereof;  
FIG. 7 is a bottom plan view thereof; and,  
FIG. 8 is a rear elevational view thereof.

**1 Claim, 8 Drawing Sheets**



(56)

**References Cited**

U.S. PATENT DOCUMENTS

D743,858	S	11/2015	Sugiura	
D743,860	S	11/2015	Nagumo	
D755,095	S	5/2016	Blomme	
D760,134	S	* 6/2016	Montousse .....	D12/176
D772,124	S	* 11/2016	Lee .....	D12/176
D786,153	S	* 5/2017	Callum .....	D12/176
D787,390	S	* 5/2017	Kanda .....	D12/176
D797,021	S	* 9/2017	Chergosky .....	D12/176
D797,621	S	* 9/2017	Ogawa .....	D12/176
D798,205	S	* 9/2017	Kim .....	D12/176
D798,206	S	* 9/2017	Sjogren .....	D12/176
D814,998	S	4/2018	Lokers	
D814,999	S	4/2018	Lokers	
D830,255	S	* 10/2018	Kawahara .....	D12/176
D848,913	S	* 5/2019	Sjogren .....	D12/176
D853,911	S	* 7/2019	Miyamoto .....	D12/176
D875,000	S	2/2020	Watola et al.	
D880,383	S	* 4/2020	Kim .....	D12/176
D881,089	S	* 4/2020	Sham .....	D12/176
D881,090	S	* 4/2020	Braun .....	D12/176
D906,198	S	* 12/2020	Tomasson .....	D12/176
D909,935	S	* 2/2021	Galdino .....	D12/176
D910,510	S	2/2021	Sandys	
D924,757	S	* 7/2021	Yu .....	D12/176
D926,650	S	* 8/2021	Mito .....	D12/176
D927,375	S	* 8/2021	Nishimura .....	D12/176

FOREIGN PATENT DOCUMENTS

EM	002276550-0010	7/2013
EM	002276550-0013	7/2013
EM	001405690	3/2014

\* cited by examiner

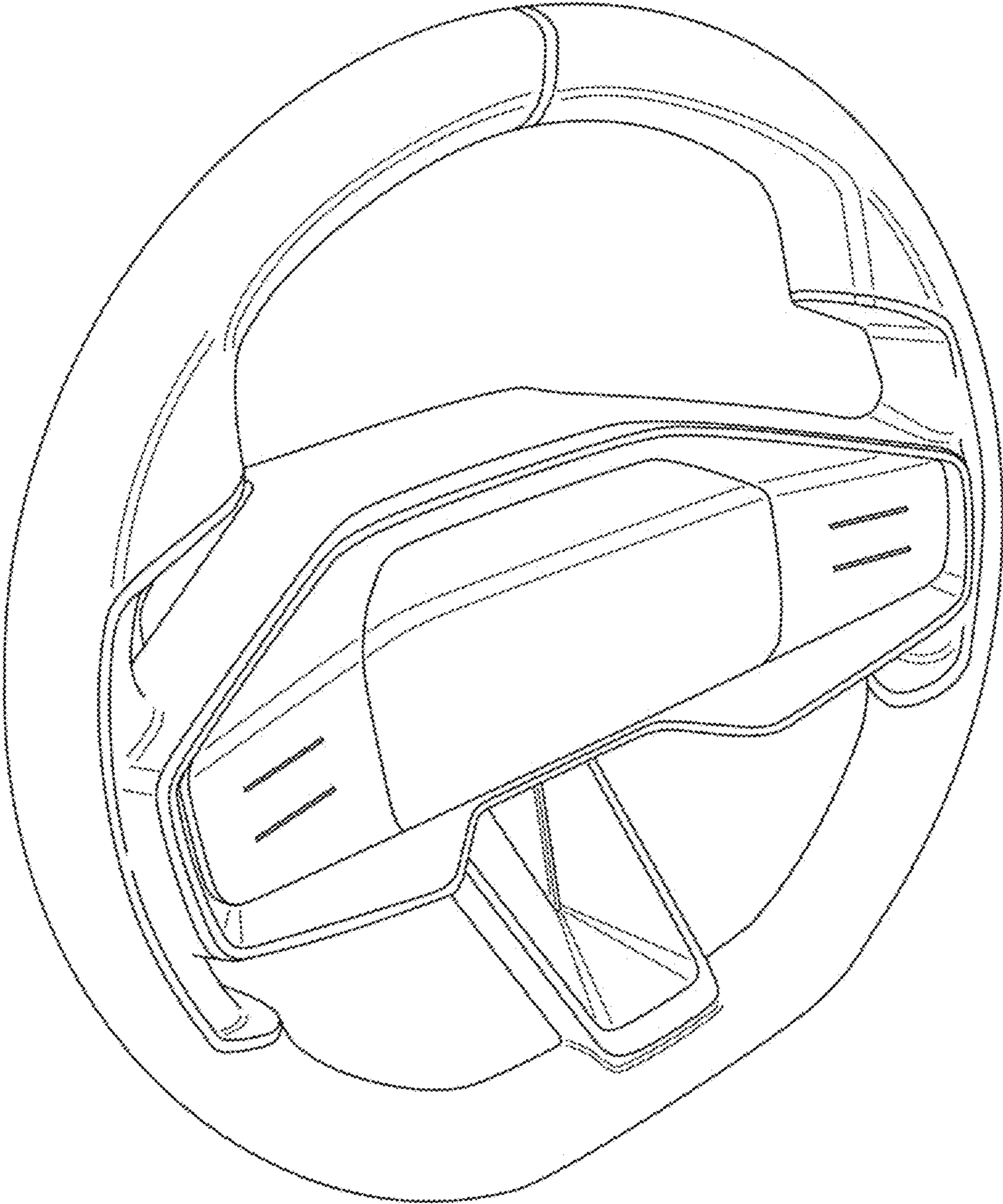


FIG. 1

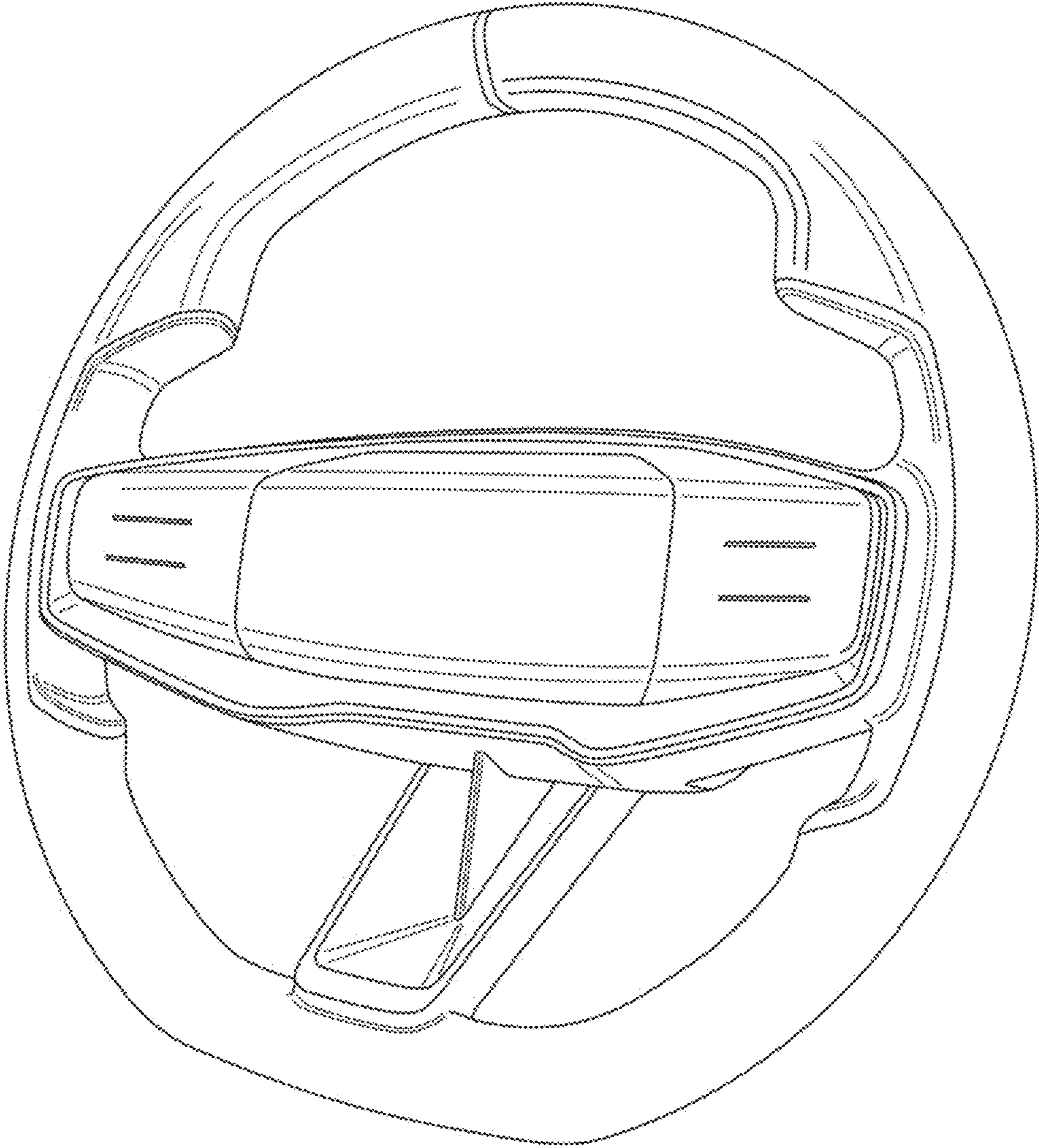


FIG. 2

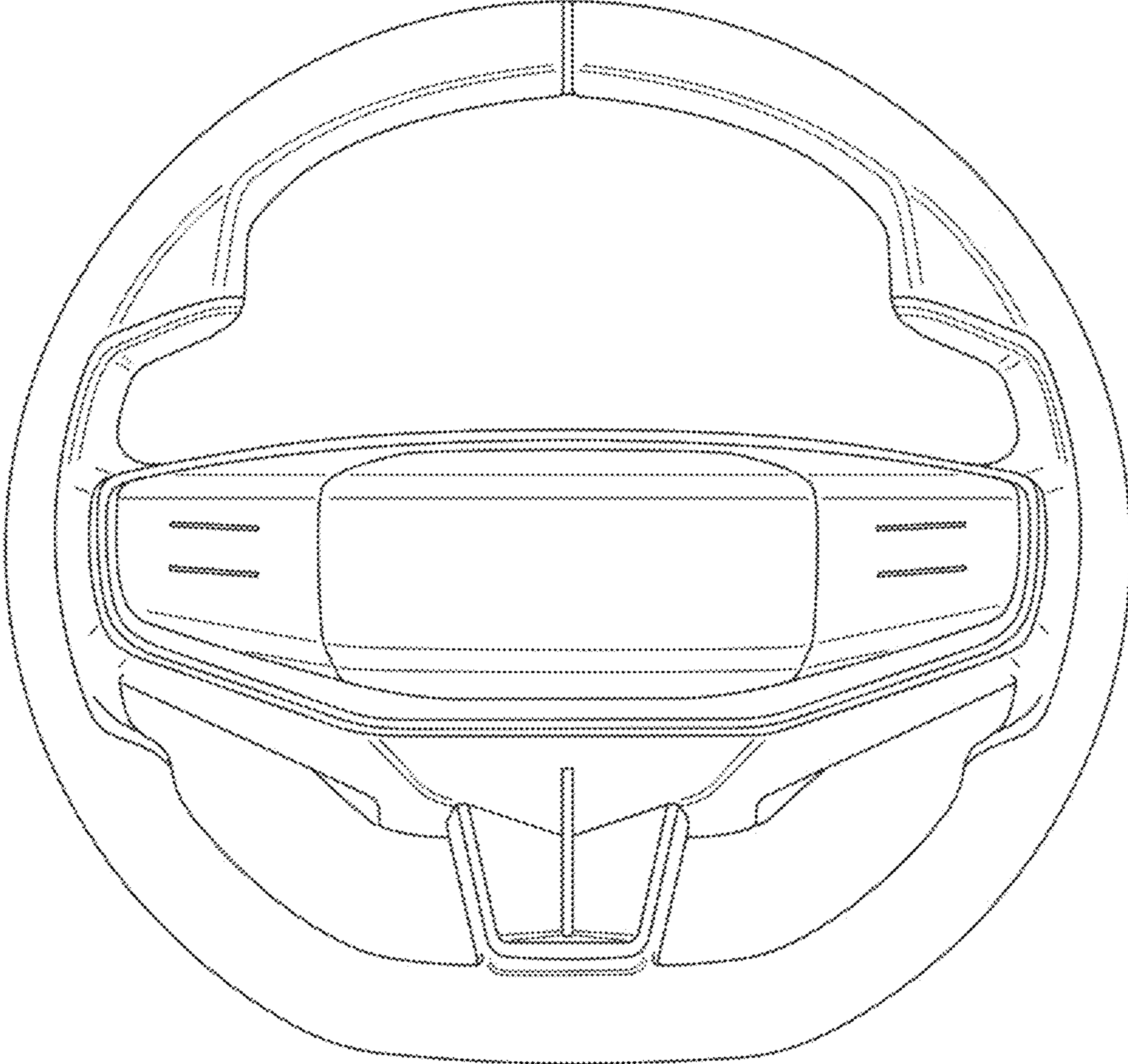


FIG. 3

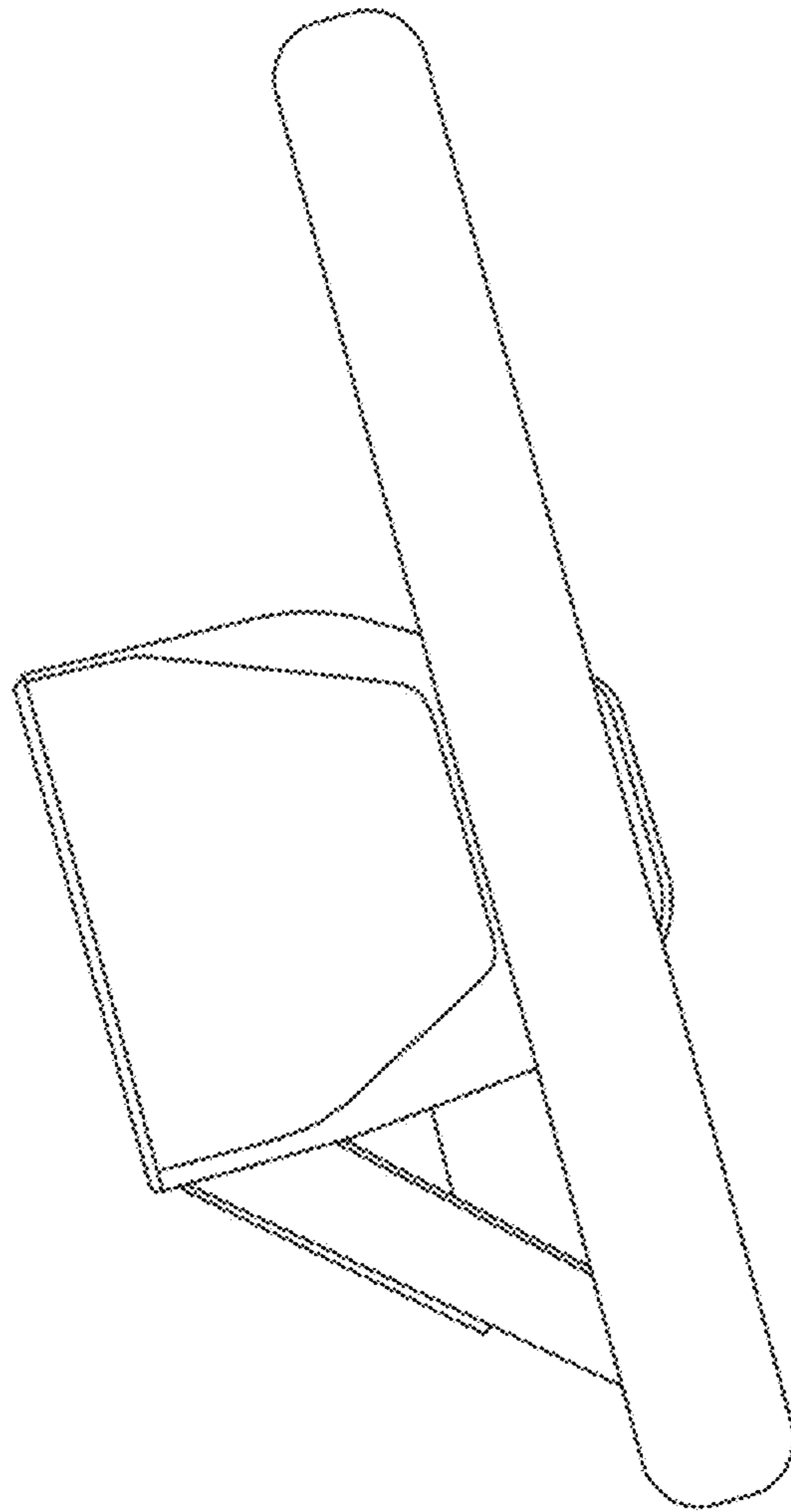


FIG. 4

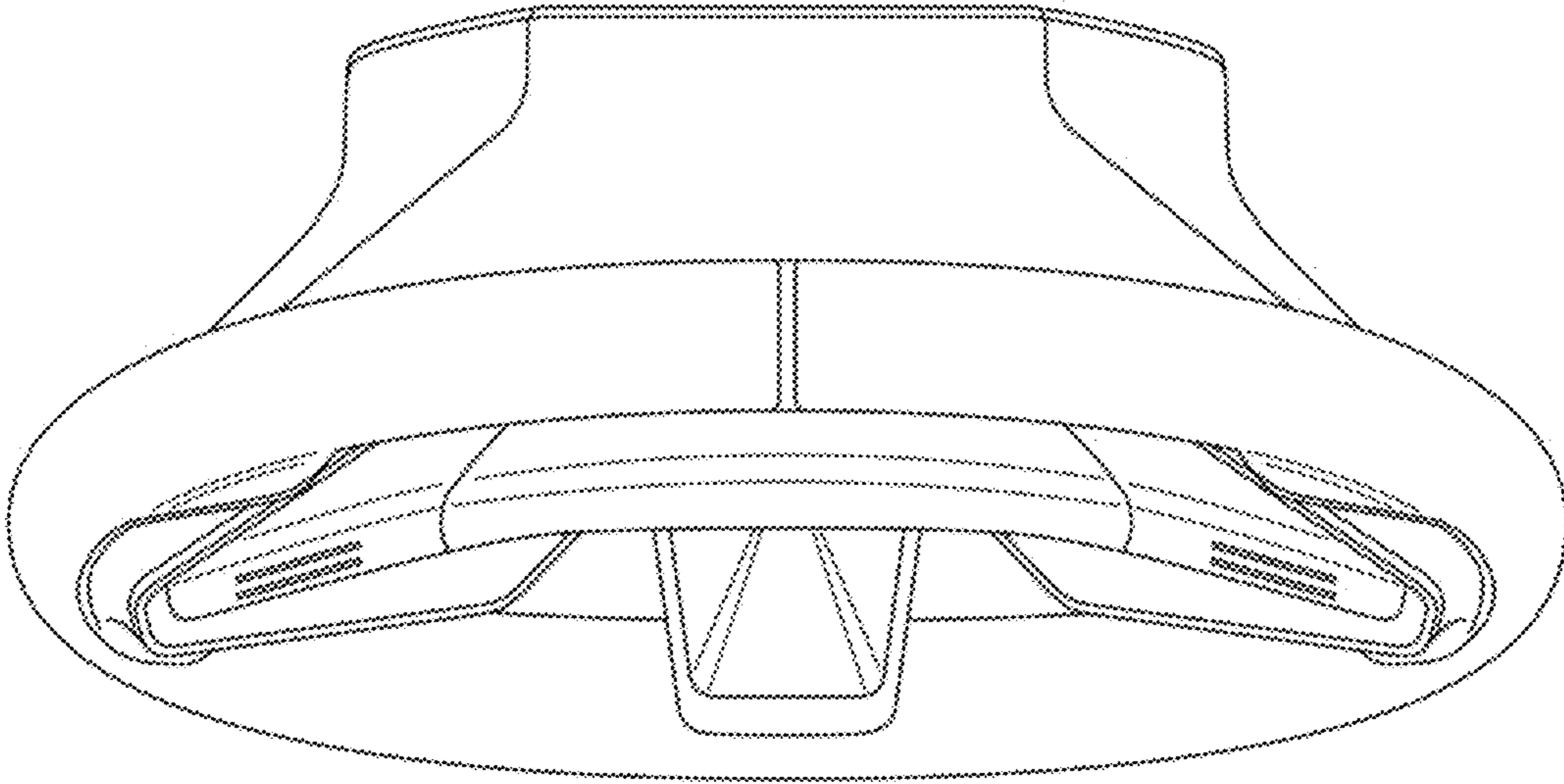


FIG. 5

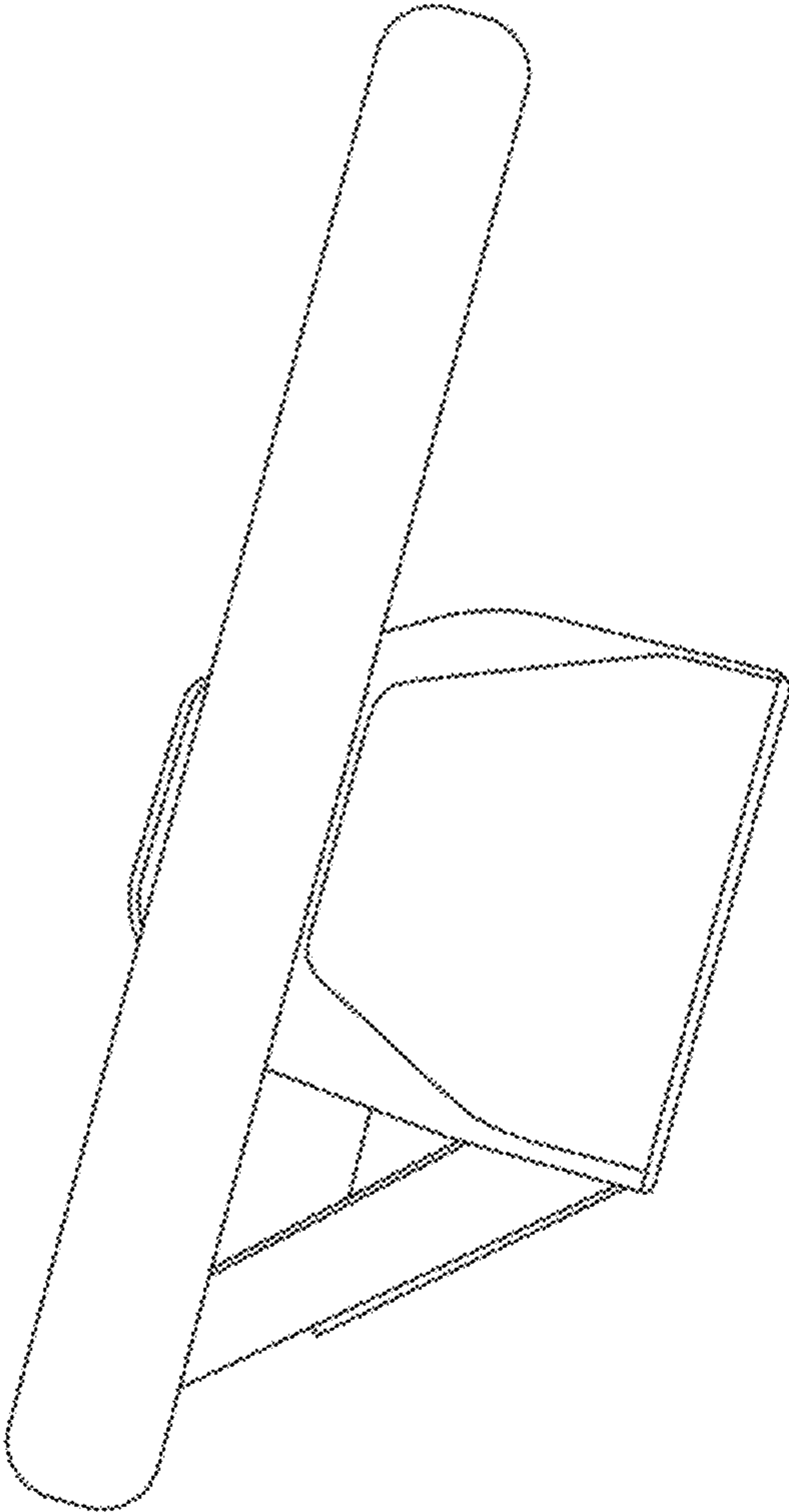


FIG. 6



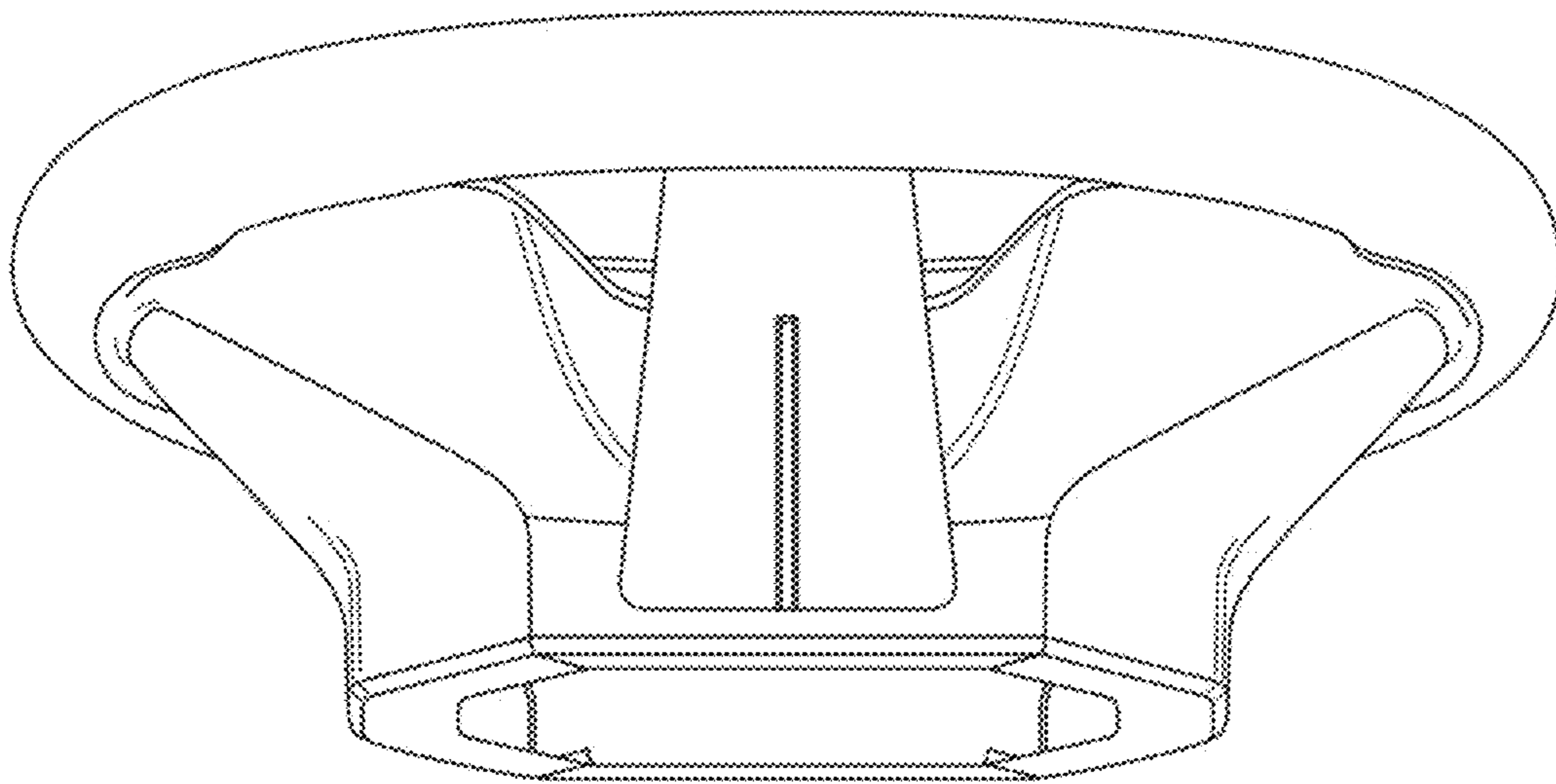


FIG. 7

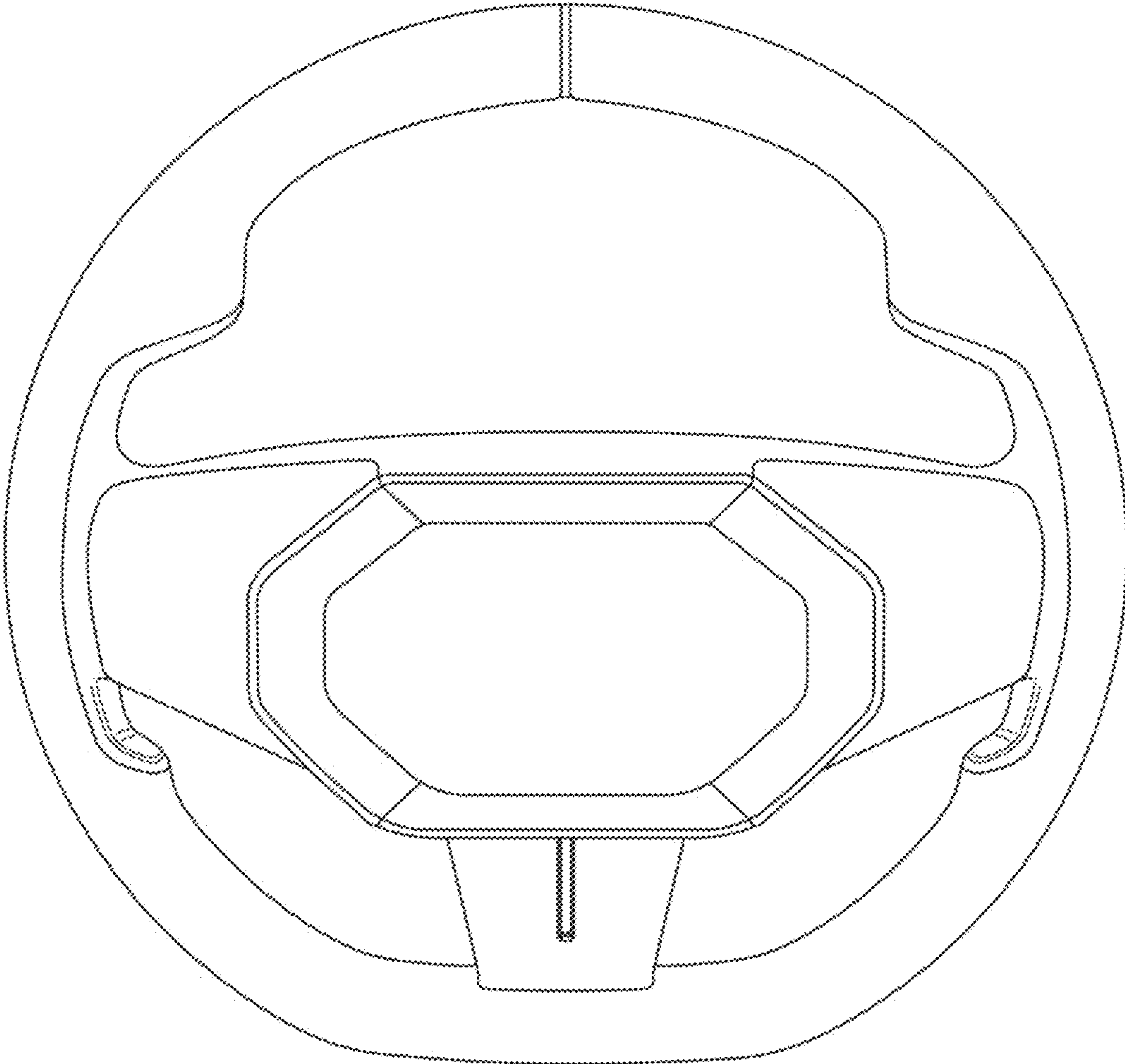


FIG. 8