



US00D957293S

(12) **United States Design Patent**
Sheffield et al.

(10) **Patent No.:** **US D957,293 S**
(45) **Date of Patent:** **** Jul. 12, 2022**

(54) **AUTOMOBILE FRONT END AND/OR
OTHER REPLICA**

(71) Applicant: **ASTON MARTIN LAGONDA
LIMITED**, Warwick (GB)

(72) Inventors: **Andrew Sheffield**, Warwick (GB);
Miles Nurnberger, Warwick (GB);
Sam Holgate, Warwick (GB)

(73) Assignee: **ASTON MARTIN LAGONDA
LIMITED**, Warwick (GB)

(**) Term: **15 Years**

(21) Appl. No.: **29/743,427**

(22) Filed: **Jul. 21, 2020**

(30) **Foreign Application Priority Data**

Jan. 21, 2020 (EM) 007539572-0006

(51) **LOC (13) Cl.** **12-16**

(52) **U.S. Cl.**
USPC **D12/164**

(58) **Field of Classification Search**
USPC D12/86, 90-92, 164; D21/424, 433, 434,
D21/533; 296/181.1-181.5, 183.1
CPC B62D 25/00; B62D 25/06; B62D 33/00;
B62D 35/00
See application file for complete search history.

(56) **References Cited**

U.S. PATENT DOCUMENTS

D620,396 S 7/2010 Reichman et al.
D626,466 S 11/2010 Reichman et al.
D629,718 S 12/2010 Reichman et al.
D629,719 S 12/2010 Reichman et al.
D629,725 S 12/2010 Reichman et al.
D630,140 S 1/2011 Reichman et al.
D670,640 S 11/2012 Reichman et al.

D687,348 S 8/2013 Nurnberger
D689,812 S 9/2013 Reichman et al.
D692,800 S 11/2013 Wiltshire
D698,283 S * 1/2014 Palm D12/92
D704,102 S 5/2014 Nurnberger
D704,601 S 5/2014 Nurnberger
D726,079 S 4/2015 Reichman et al.
D727,804 S 4/2015 Nurnberger
D730,777 S 6/2015 Nurnberger
D739,789 S 9/2015 Payne
D740,725 S 10/2015 Payne
D758,247 S 6/2016 Nurnberger et al.
D758,249 S * 6/2016 Callum D12/92
D766,474 S 9/2016 Holgate et al.

(Continued)

OTHER PUBLICATIONS

Aston Martin 2013, "Aston Martin Centenary Celebration Programme," 2013; 204 pages.

(Continued)

Primary Examiner — Melody N Brown

(74) *Attorney, Agent, or Firm* — Dorsey & Whitney LLP

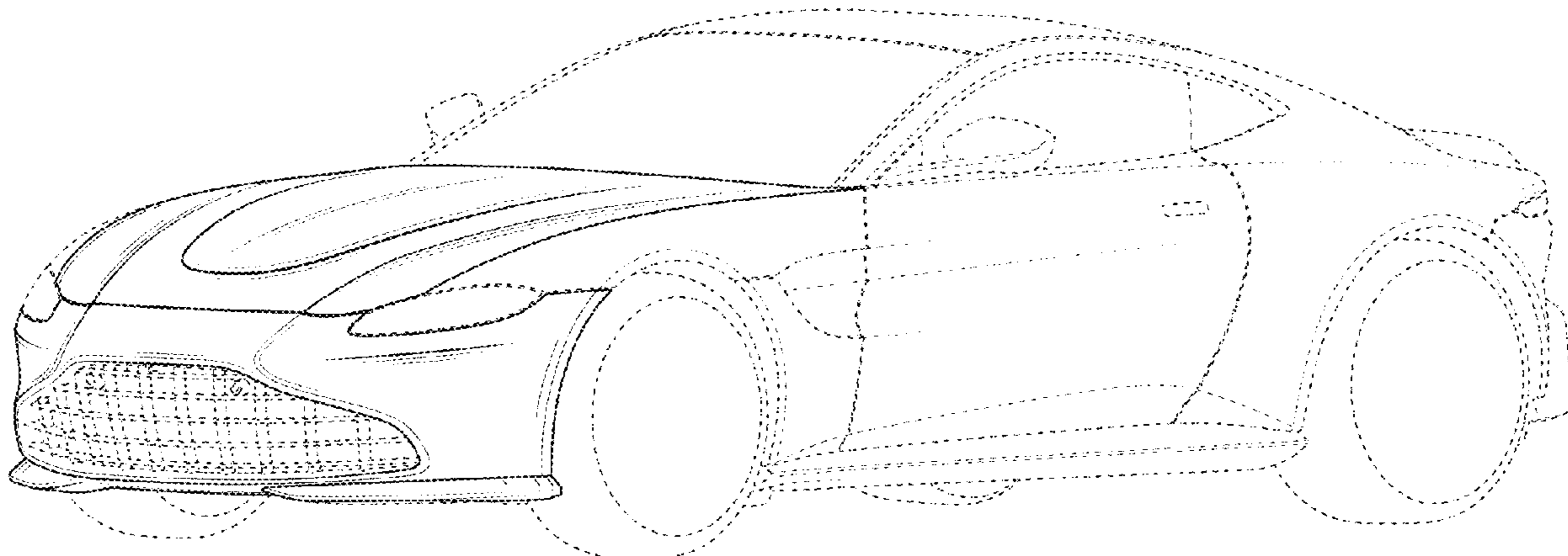
(57) **CLAIM**

The ornamental design for an automobile front end and/or other replica, as shown and described.

DESCRIPTION

FIG. 1 is a right, front perspective view of an automobile front end and/or other replica showing our new design; FIG. 2 is a front elevational view thereof; FIG. 3 is a rear elevational view thereof; FIG. 4 is a right side elevational view thereof; FIG. 5 is a left side elevational view thereof; FIG. 6 is a top plan view thereof; and, FIG. 7 is a right, rear perspective view thereof. The portions of the automobile body shown in broken lines are for environmental and illustrative purposes that form no part of the claimed design.

1 Claim, 7 Drawing Sheets



(56)

References Cited

U.S. PATENT DOCUMENTS

D772,128 S 11/2016 Platt
 D774,950 S 12/2016 Holgate et al.
 D774,995 S 12/2016 Holgate et al.
 D777,070 S 1/2017 Nurnberger
 D778,790 S 2/2017 Nurnberger
 D780,632 S 3/2017 Nurnberger
 D780,633 S 3/2017 Nurnberger et al.
 D780,634 S 3/2017 Nurnberger et al.
 D780,636 S 3/2017 Kahn
 D785,525 S 5/2017 Nurnberger
 D786,155 S 5/2017 Holgate et al.
 D786,744 S 5/2017 Nurnberger et al.
 D796,404 S 9/2017 Nurnberger
 D800,619 S 10/2017 Platt
 D801,558 S 10/2017 Nurnberger et al.
 D815,995 S 4/2018 Nurnberger et al.
 D817,814 S 5/2018 Nurnberger et al.
 D820,164 S 6/2018 Nurnberger et al.
 D825,387 S 8/2018 Nurnberger et al.
 D826,106 S 8/2018 Kahn
 D827,166 S 8/2018 Nurnberger et al.
 D827,410 S 9/2018 Earley
 D827,411 S 9/2018 Earley
 D827,507 S 9/2018 Nurnberger et al.
 D830,917 S 10/2018 Nurnberger et al.
 D833,187 S 11/2018 Earley
 D835,548 S 12/2018 Nurnberger et al.
 D838,017 S 1/2019 Nurnberger et al.
 D838,018 S 1/2019 Nurnberger et al.
 D840,273 S * 2/2019 Battams D12/91
 D840,873 S 2/2019 Nurnberger et al.
 D841,847 S 2/2019 Re et al.
 D842,799 S 3/2019 Nurnberger et al.
 D848,331 S 5/2019 Nurnberger et al.
 D849,616 S 5/2019 Nurnberger et al.

D855,528 S 8/2019 Re
 D856,193 S 8/2019 Nurnberger et al.
 D856,902 S 8/2019 Hill et al.
 D860,875 S 9/2019 Re
 D864,842 S 10/2019 Djabour
 D870,004 S 12/2019 Hill et al.
 D871,274 S 12/2019 Re
 D871,991 S 1/2020 Cartwright et al.
 D874,374 S 2/2020 Re
 D886,005 S 6/2020 Nurnberger et al.
 D899,302 S 10/2020 Holgate et al.
 D913,160 S * 3/2021 Nurnberger D12/92
 D936,531 S * 11/2021 Nurnberger D12/163
 D941,189 S * 1/2022 Sheffield D12/92

OTHER PUBLICATIONS

1976 and 1987 Aston Martin Lagonda, [online], [site visited Jul. 24, 2014], Available from Internet, <URL: <http://www.astonmartin.com/heritage/past-models/lagonda>>, 2 pages.
 U.S. Appl. No. 29/582,592, filed Oct. 28, 2016.
 U.S. Appl. No. 29/647,968, filed May 17, 2018.
 U.S. Appl. No. 29/682,466, filed Mar. 5, 2019.
 U.S. Appl. No. 29/689,379, filed Apr. 29, 2019.
 U.S. Appl. No. 29/689,689, filed May 1, 2019.
 U.S. Appl. No. 29/689,693, filed May 1, 2019.
 U.S. Appl. No. 29/698,779, filed Jul. 19, 2019.
 U.S. Appl. No. 29/698,789, filed Jul. 19, 2019.
 U.S. Appl. No. 29/699,556, filed Jul. 26, 2019.
 U.S. Appl. No. 29/699,560, filed Jul. 26, 2019.
 U.S. Appl. No. 29/718,344, filed Dec. 23, 2019.
 U.S. Appl. No. 29/724,179, filed Feb. 13, 2020.
 U.S. Appl. No. 29/724,188, filed Feb. 13, 2020.
 U.S. Appl. No. 29/724,201, filed Feb. 13, 2020.

* cited by examiner

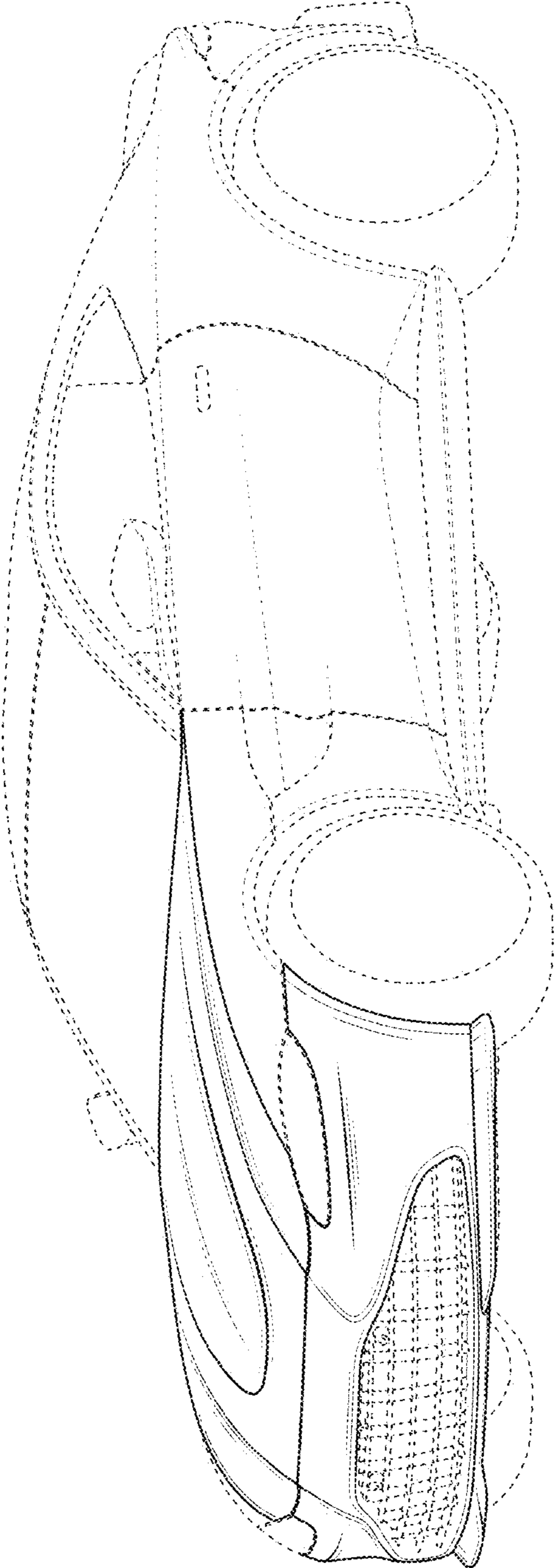


FIG. 1

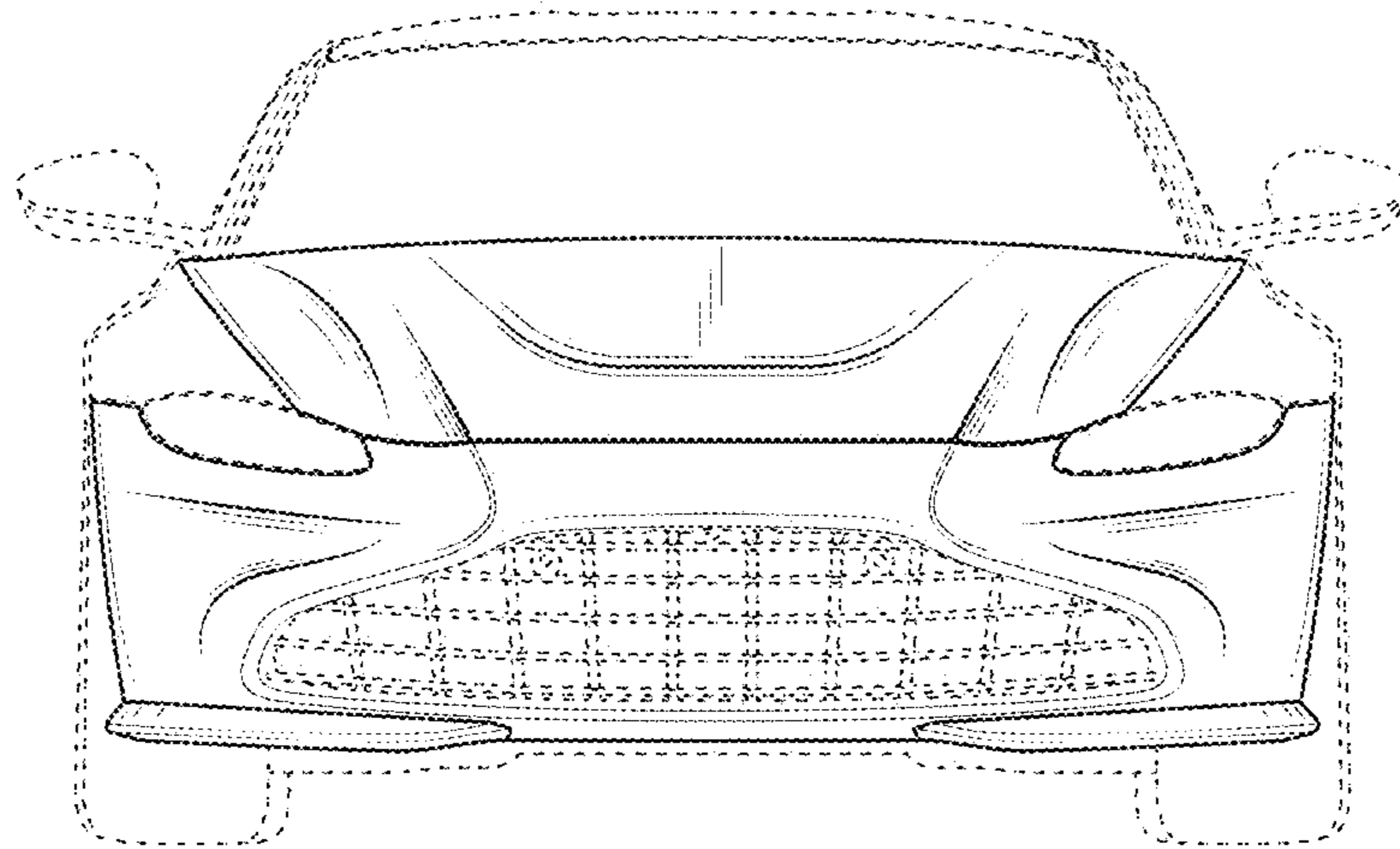


FIG. 2

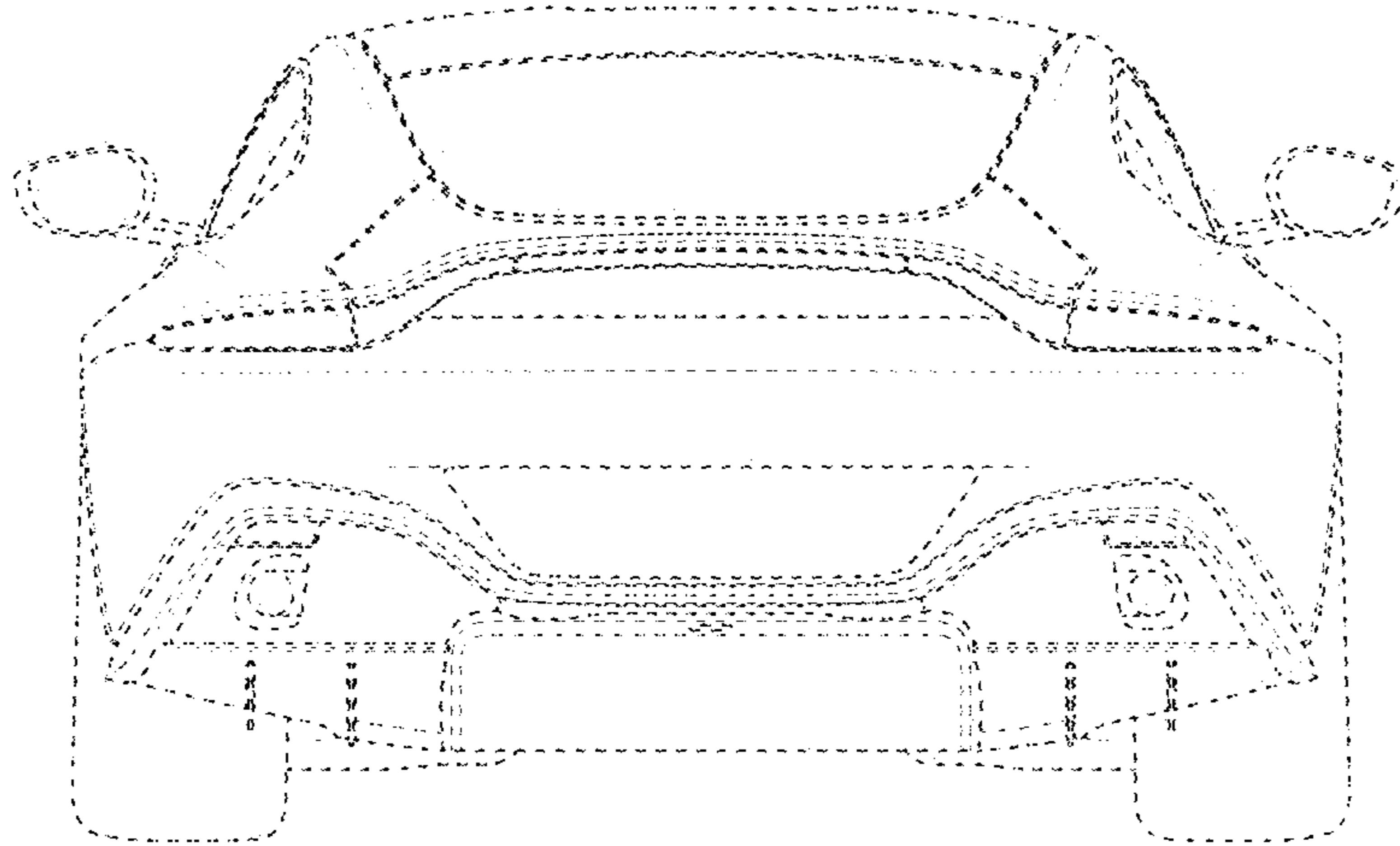


FIG. 3

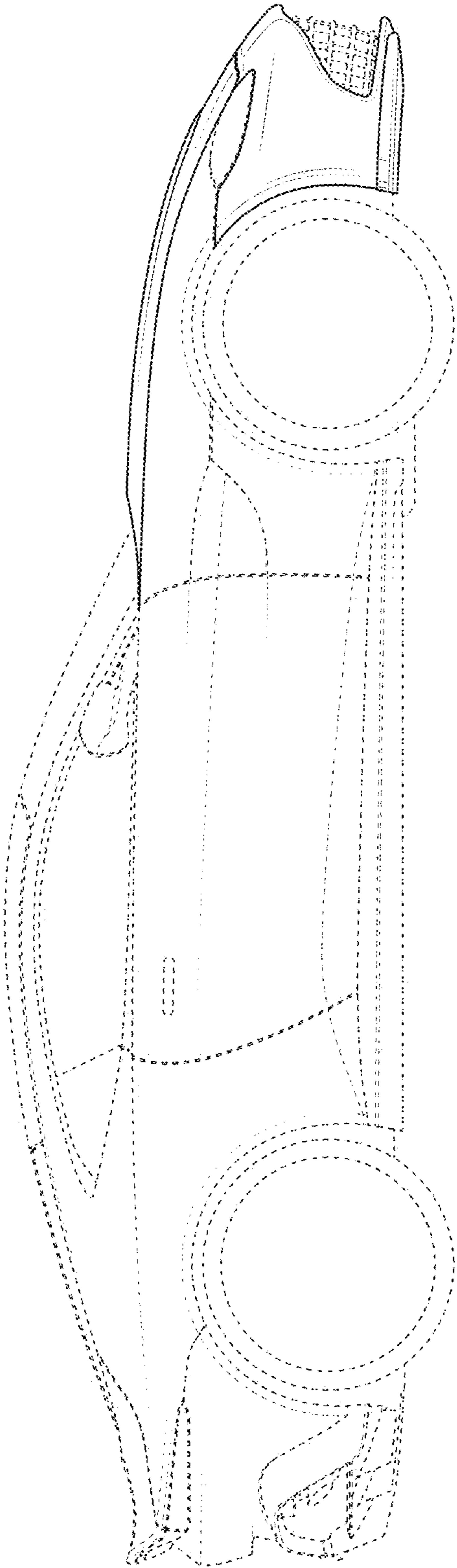


FIG. 4

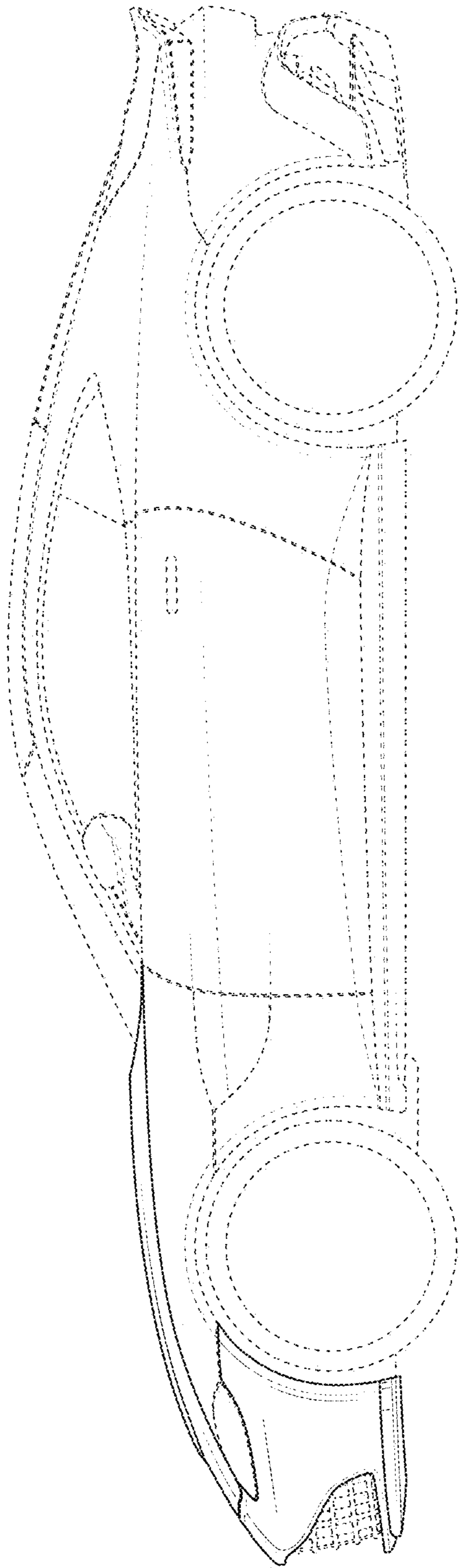


FIG. 5

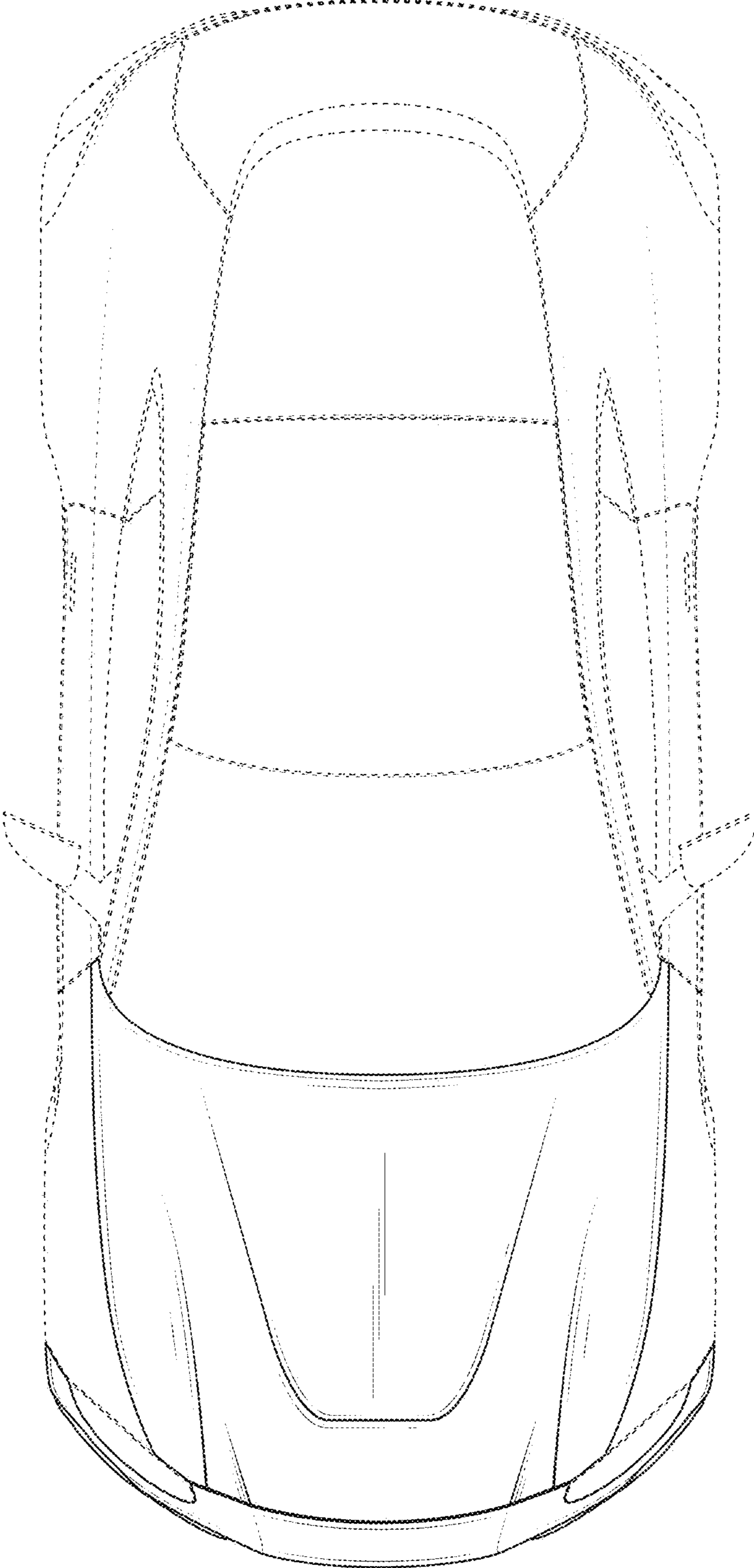


FIG. 6

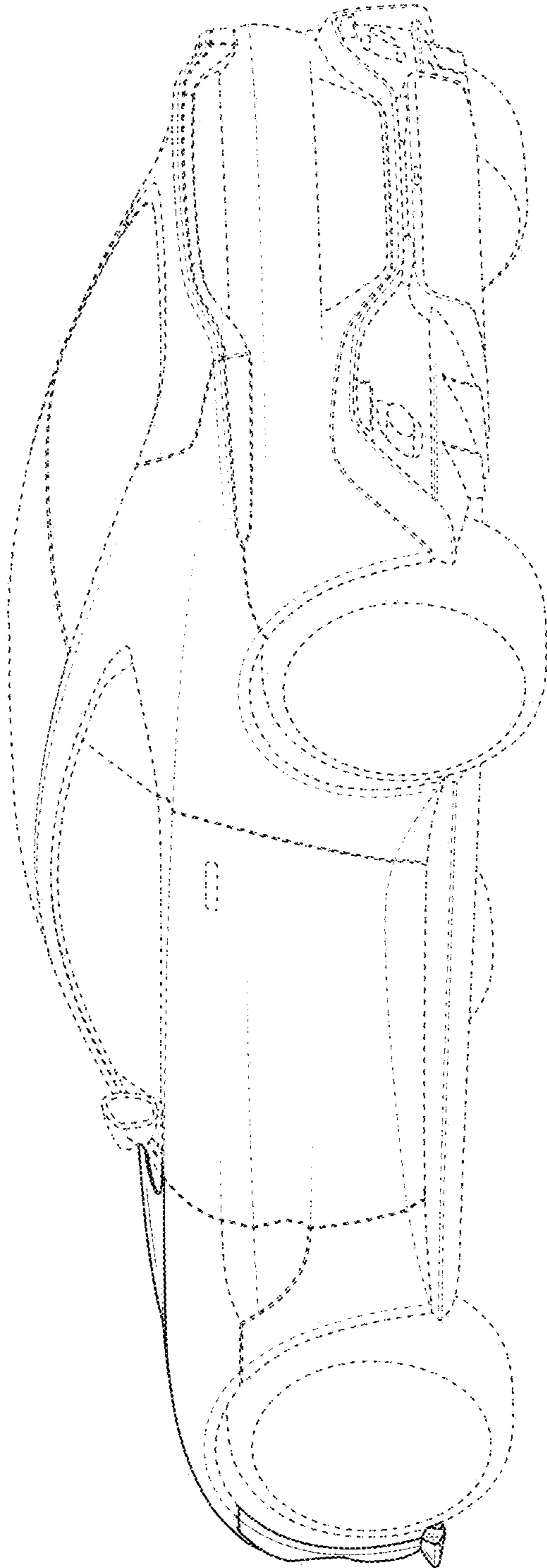


FIG. 7