



US00D957291S

(12) **United States Design Patent**  
**Deng et al.**

(10) **Patent No.:** **US D957,291 S**  
(45) **Date of Patent:** **\*\* Jul. 12, 2022**

(54) **ELECTRIC BICYCLE**

OTHER PUBLICATIONS

(71) Applicants: **GUANGZHOU BIONC INTELLIGENT SPORT EQUIPMENT CO., LTD**, Guangzhou (CN); **HUAIAN PX INTELLIGENT MANUFACTURING CO., LTD.**, Huai An (CN)

Lawrence Bonk. "10 Best Off Road Electric Bikes in 2022." Gadget Review., Jan. 25, 2022 [online], [retrieved on May 15, 2022]. Retrieved from the Internet <URL: <https://www.gadgetreview.com/best-off-road-electric-bikes>>.\*

(Continued)

(72) Inventors: **Junlin Deng**, Guangzhou (CN); **Ruizhuan Feng**, Huai An (CN); **Jingjing Fan**, Huai An (CN); **Yonghua Cao**, Huai An (CN)

*Primary Examiner* — Darlington Ly

(57) **CLAIM**

The ornamental design for an electric bicycle, as shown and described.

(73) Assignees: **GUANGZHOU BIONC INTELLIGENT SPORT EQUIPMENT CO., LTD**, Guangzhou (CN); **HUAIAN PX INTELLIGENT MANUFACTURING CO., LTD.**, Huaian (CN)

**DESCRIPTION**

(\*\*) Term: **15 Years**

FIG. 1 is a perspective view of an electric bicycle showing our new design;  
FIG. 2 is another perspective view thereof;  
FIG. 3 is a front elevational view thereof;  
FIG. 4 is a rear elevational view thereof;  
FIG. 5 is a left side elevational view thereof;  
FIG. 6 is a right side elevational view thereof;  
FIG. 7 is a top plan view thereof;  
FIG. 8 is a bottom plan view thereof;  
FIG. 9 is an enlarged view of portion 9 shown in FIG. 1;  
FIG. 10 is an enlarged view of portion 10 shown in FIG. 1;  
FIG. 11 is an enlarged view of portion 11 shown in FIG. 1;  
FIG. 12 is an enlarged view of portion 12 shown in FIG. 1;  
FIG. 13 is an enlarged view of portion 13 shown in FIG. 1;  
FIG. 14 is an enlarged view of portion 14 shown in FIG. 2;  
FIG. 15 is an enlarged view of portion 15 shown in FIG. 2;  
FIG. 16 is an enlarged view of portion 16 shown in FIG. 2;  
FIG. 17 is an enlarged view of portion 17 shown in FIG. 2;  
FIG. 18 is an enlarged view of portion 18 shown in FIG. 4;  
and,  
FIG. 19 is an enlarged view of portion 19 shown in FIG. 7.  
The dash-dash broken lines in the drawings depict portions of the electric bicycle that form no part of the claimed design. The dot-dash broken lines represent boundaries of the enlarged portions and form no part of the claimed design.

(21) Appl. No.: **29/813,853**

(22) Filed: **Nov. 2, 2021**

(51) **LOC (13) Cl.** ..... **12-11**

(52) **U.S. Cl.**  
USPC ..... **D12/111**

(58) **Field of Classification Search**  
USPC ..... D12/111, 117; D21/412, 414, 419,  
D21/423-428, 431-435

(Continued)

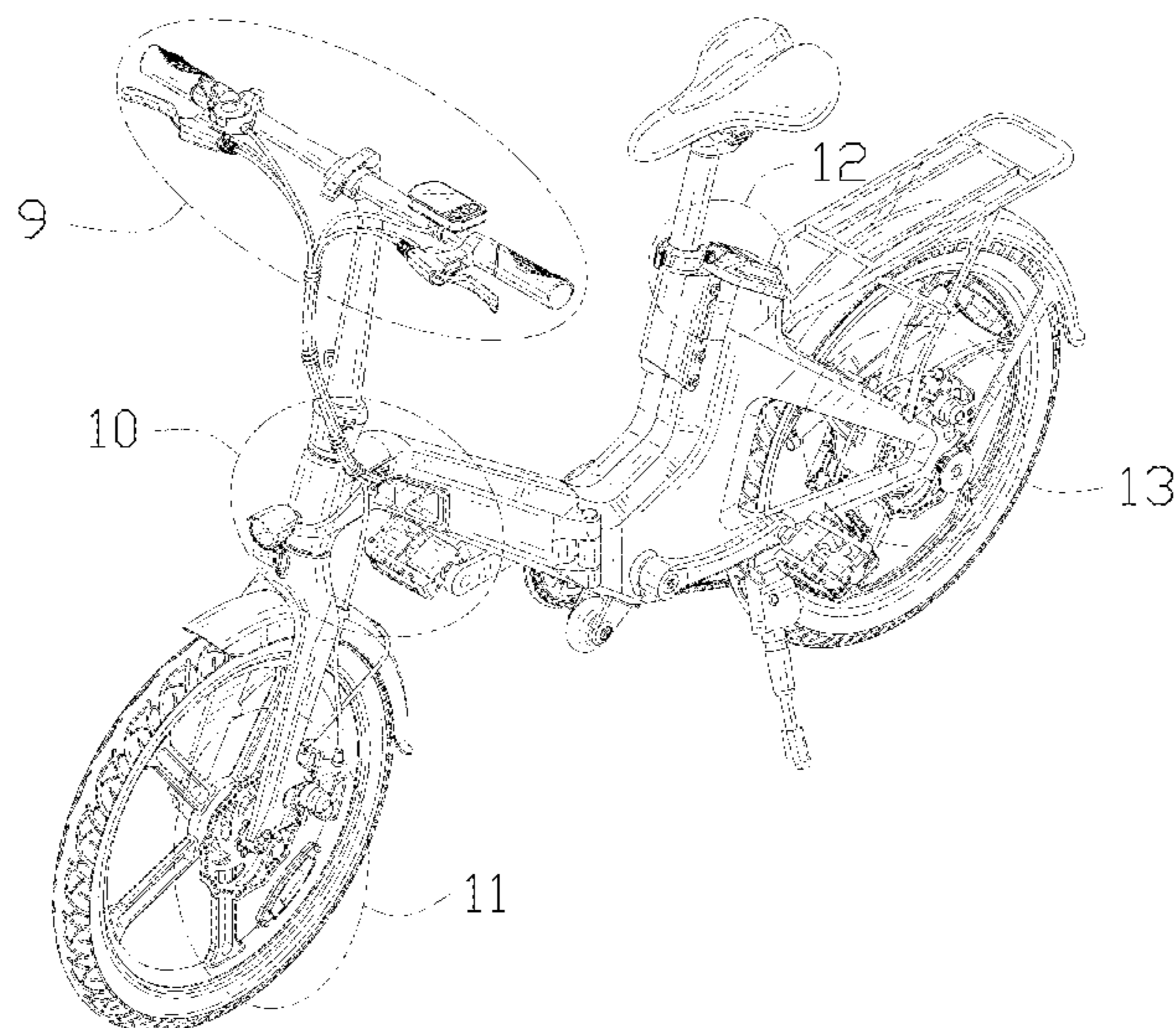
(56) **References Cited**

U.S. PATENT DOCUMENTS

2,827,301 A \* 3/1958 Stevens ..... B62J 35/00  
280/281.1  
D253,102 S \* 10/1979 Hahn ..... D12/110

(Continued)

**1 Claim, 19 Drawing Sheets**



(58) **Field of Classification Search**

CPC ..... B62K 3/00; B62K 3/02; B62K 3/06  
See application file for complete search history.

(56) **References Cited**

U.S. PATENT DOCUMENTS

D727,214	S	*	4/2015	Yang	.....	D12/111
D833,333	S	*	11/2018	Yu	.....	D12/111
D850,983	S	*	6/2019	Zhu	.....	D12/111
D902,084	S	*	11/2020	Gauthier	.....	D12/111
D910,497	S	*	2/2021	Sun	.....	D12/111
D915,243	S	*	4/2021	Sun	.....	D12/111
D924,732	S	*	7/2021	Lin	.....	D12/111
D925,404	S	*	7/2021	Lin	.....	D12/111
D925,406	S	*	7/2021	Lin	.....	D12/111
D929,269	S		8/2021	Chen		
D931,146	S	*	9/2021	Huang	.....	D12/111
D940,010	S	*	1/2022	Hu	.....	D12/111
D950,424	S	*	5/2022	Chien	.....	D12/111
11,326,029	B2	*	5/2022	Callens	.....	B32B 1/08

OTHER PUBLICATIONS

Louis Mazzante. "15 Best Electric Bikes You Can Buy . . ." Bicycling., May 13, 2022 [online], [retrieved on May 15, 2022]. Retrieved from the Internet <URL: [https://www.bicycling.com/bikes-gear/a22132137/best-electric-bikes/?utm\\_source=bing&utm\\_medium=cpc&utm\\_campaign=arb\\_bg\\_bic\\_d\\_bm\\_a22132137&msclkid=2f11813fda171066](https://www.bicycling.com/bikes-gear/a22132137/best-electric-bikes/?utm_source=bing&utm_medium=cpc&utm_campaign=arb_bg_bic_d_bm_a22132137&msclkid=2f11813fda171066)>.\*

Jo Borrás. "21 Best E-Bikes & Electric Motorcycles You Can Buy In 2021." Gadget Review., Dec. 31, 2020 [online], [retrieved on May 15, 2022]. Retrieved from the Internet <URL: <https://cleantechnica.com/2020/12/31/21-best-e-bikes-electric-motorcycles-you-can-buy-in-2021/>>.\*

\* cited by examiner

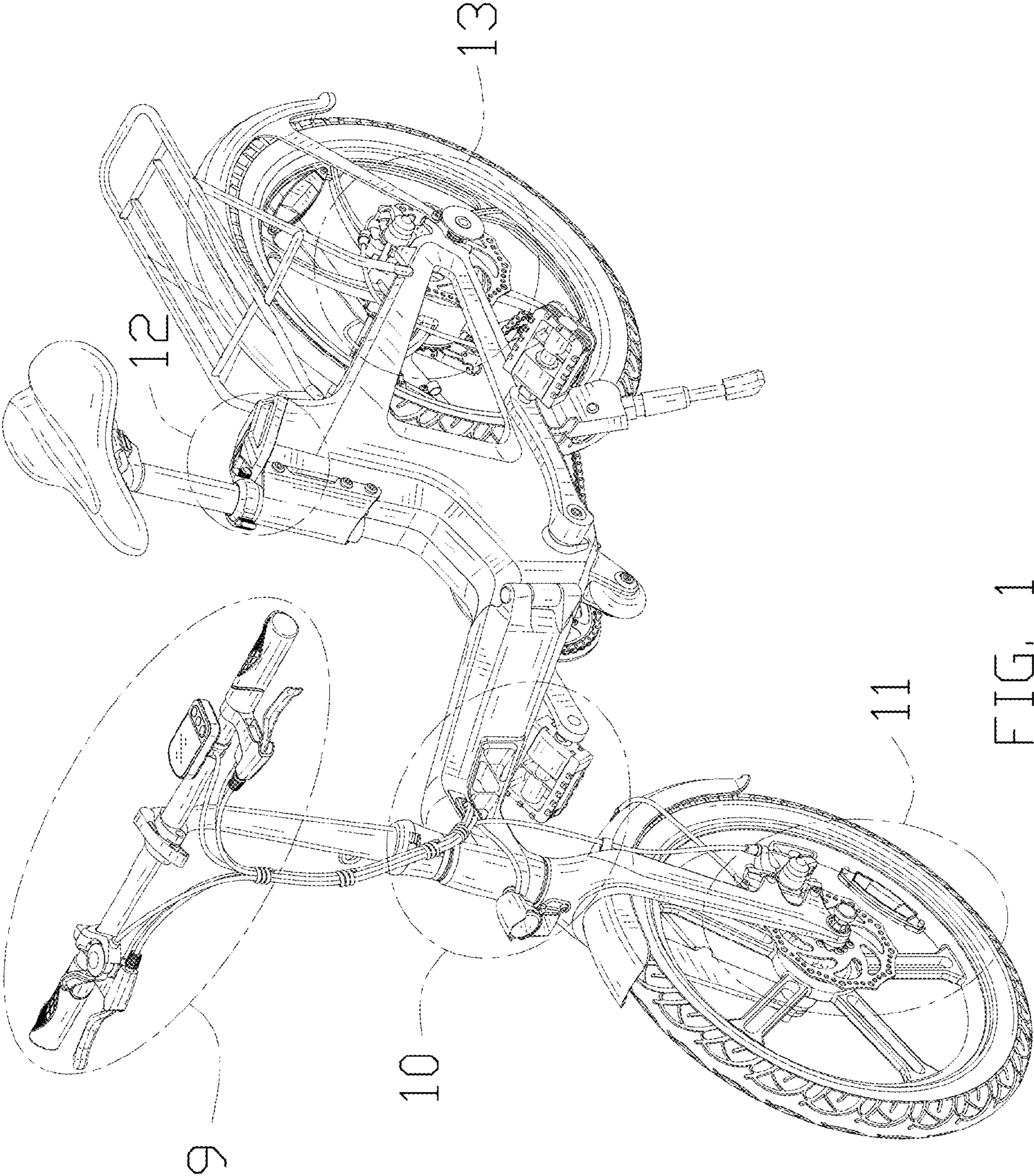


FIG. 1

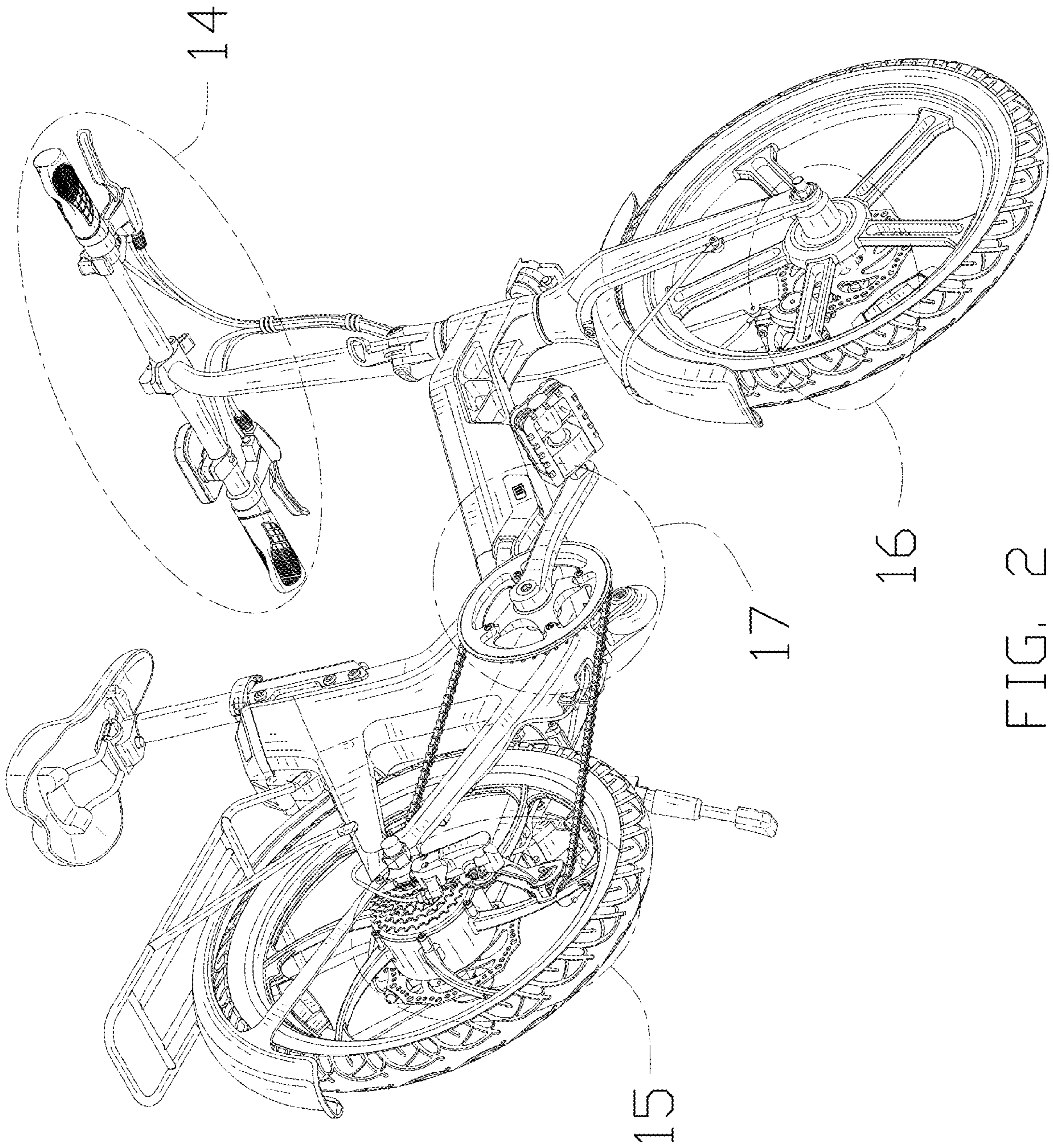


FIG. 2

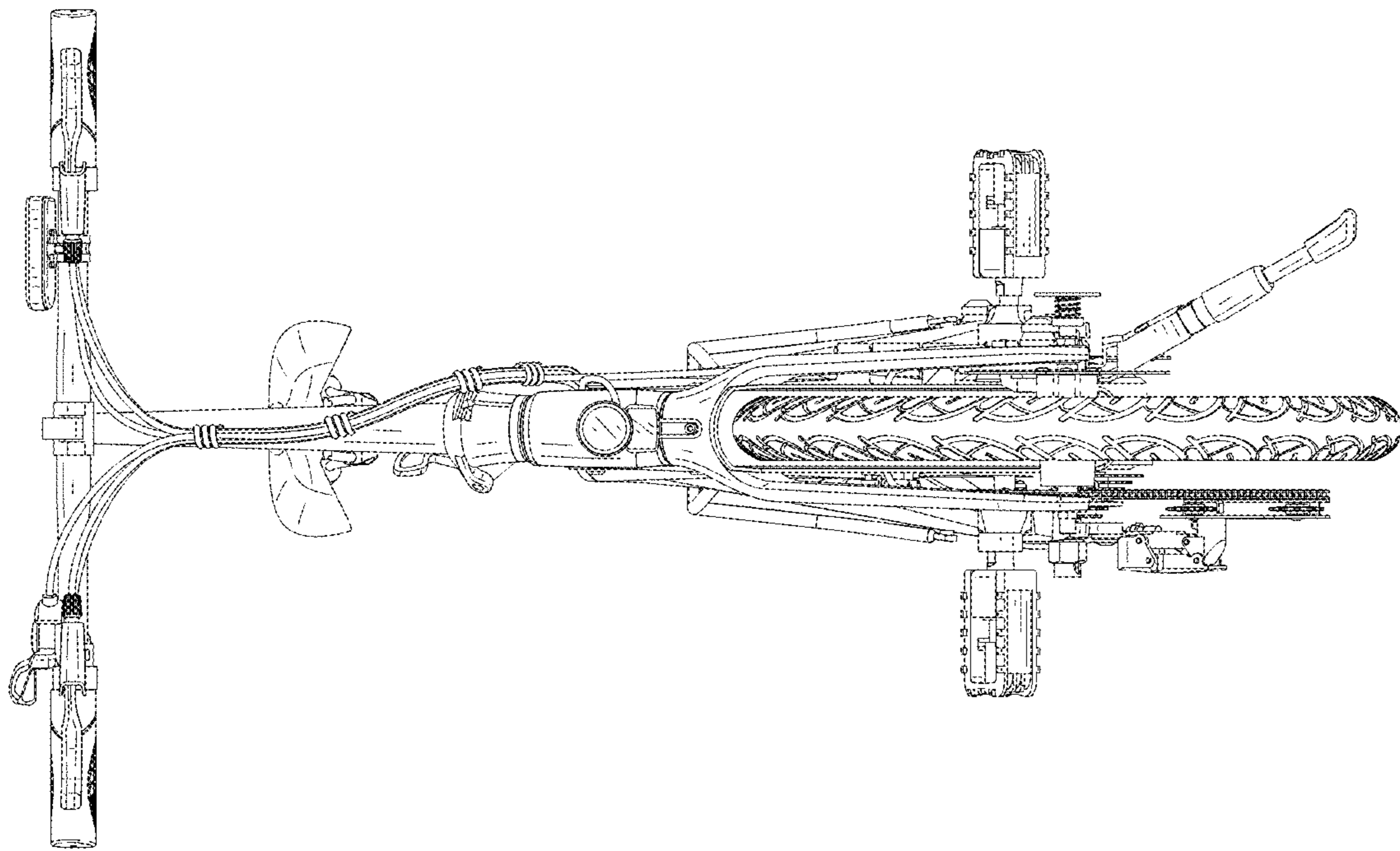


FIG. 3

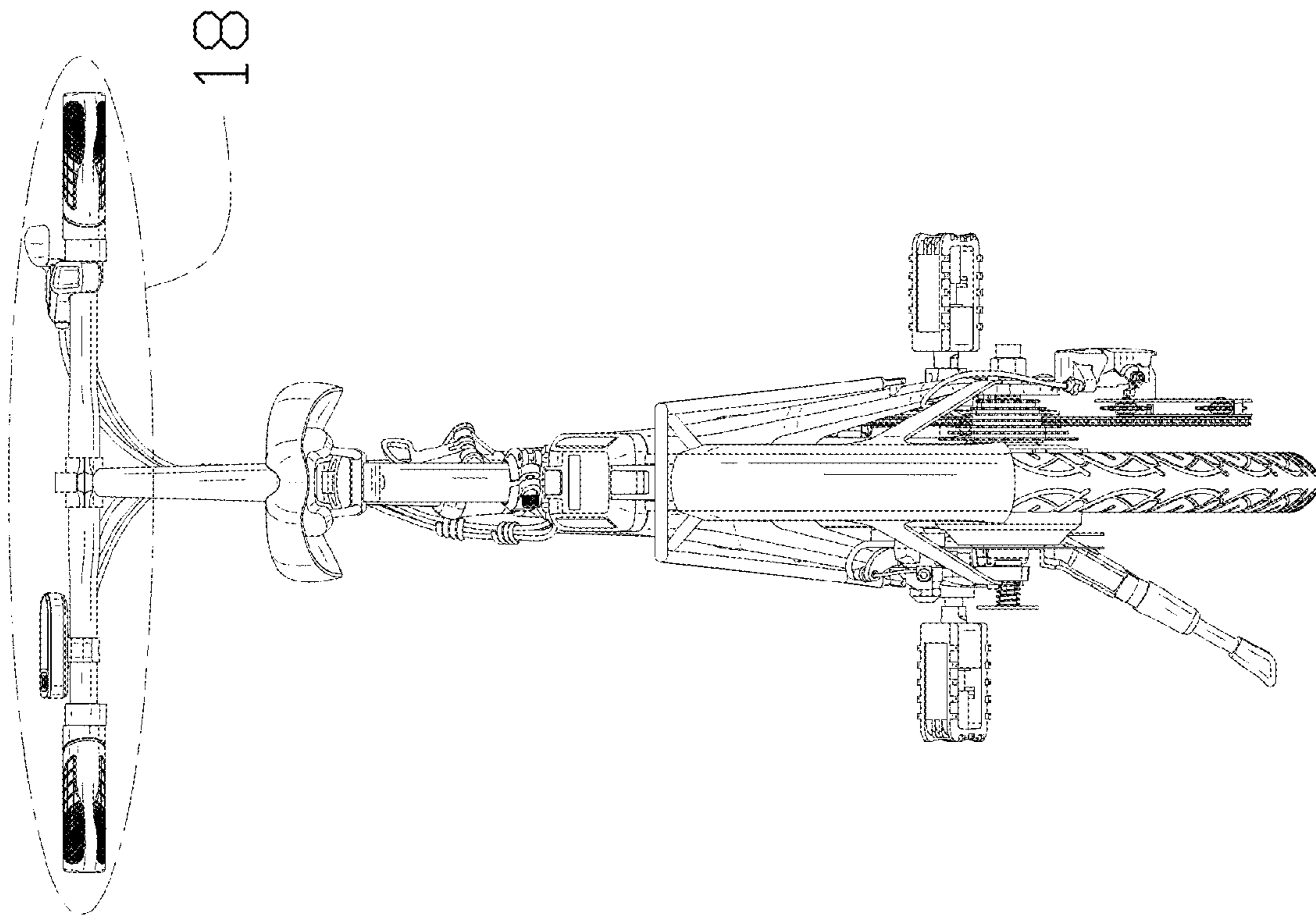


FIG. 4

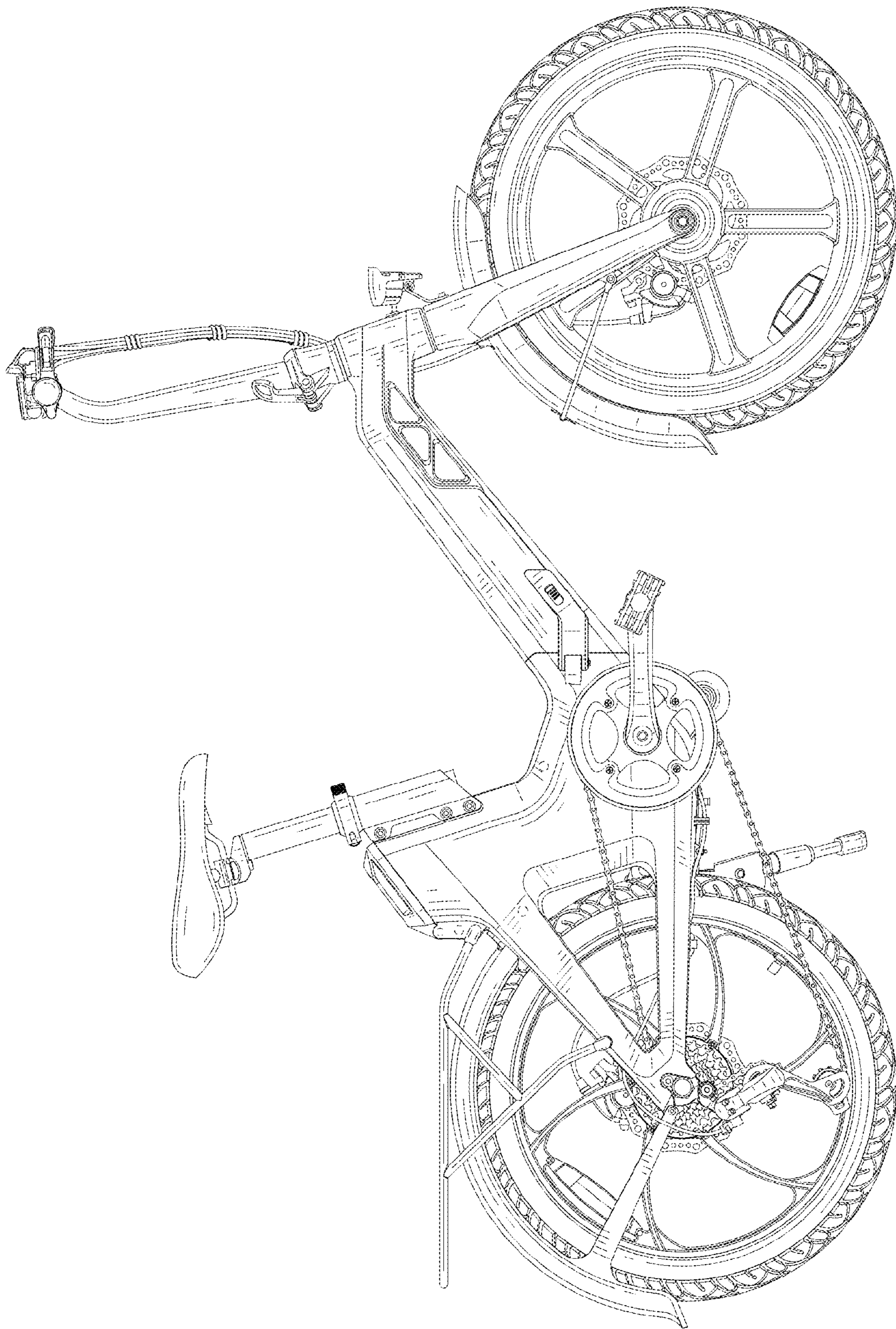


FIG. 5

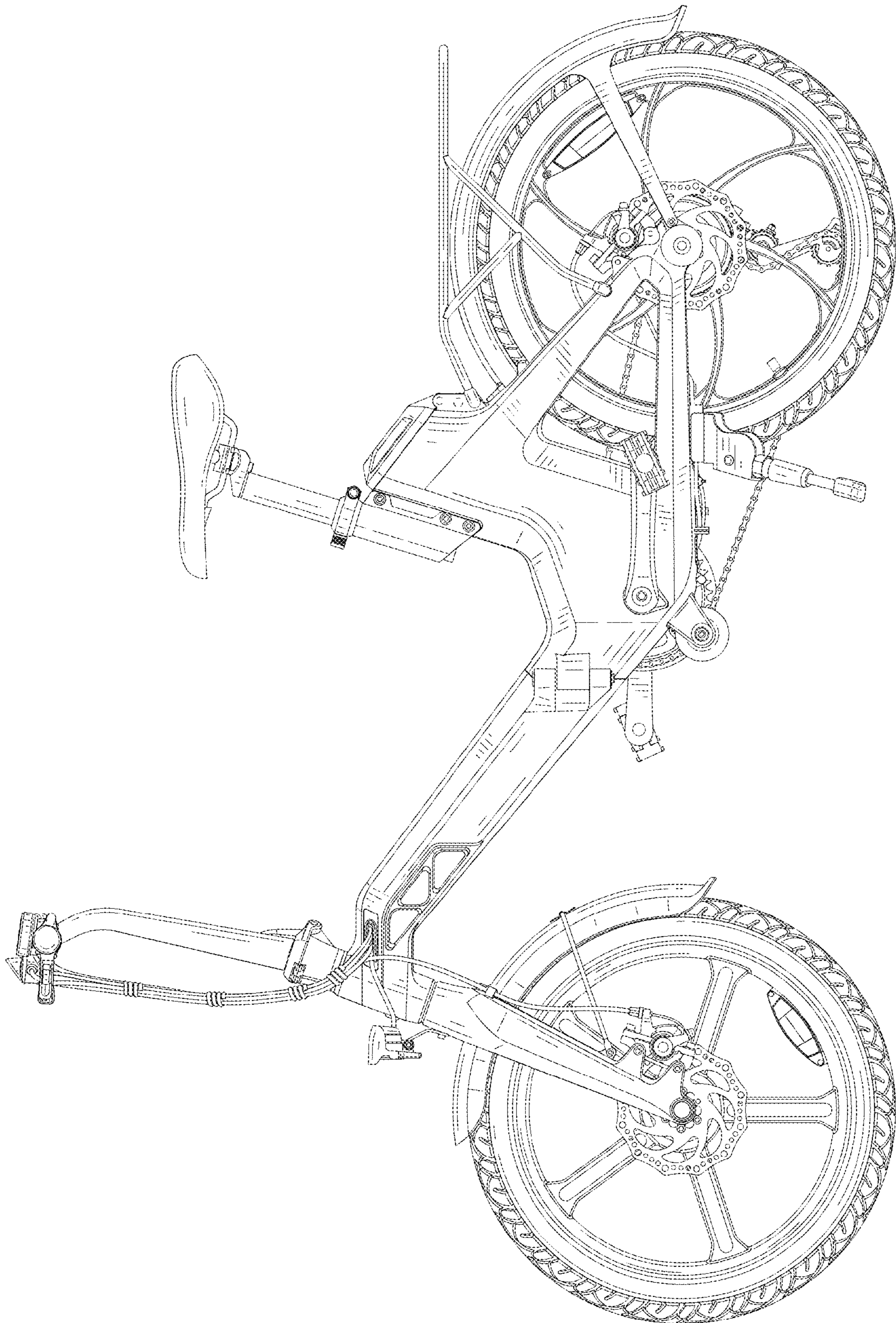


FIG. 6



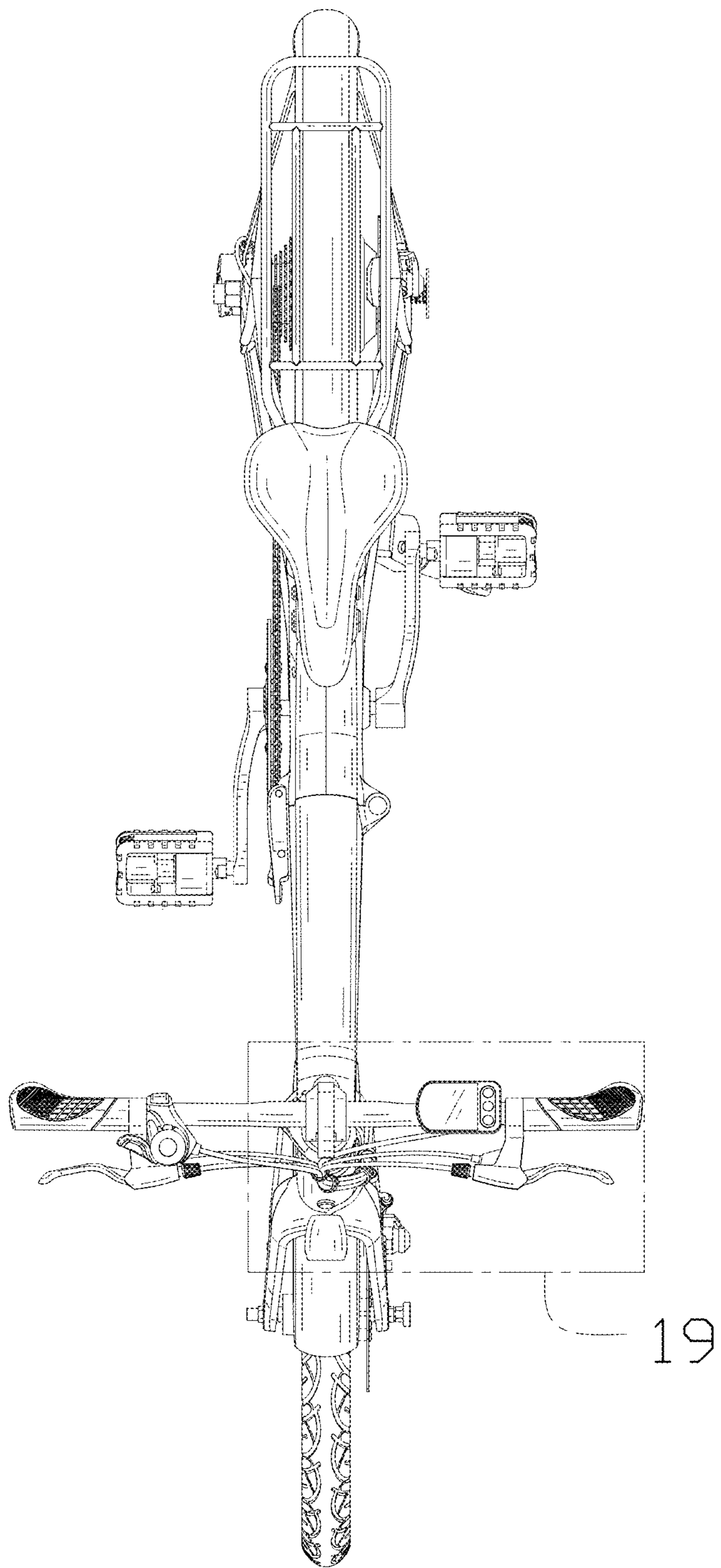


FIG. 7

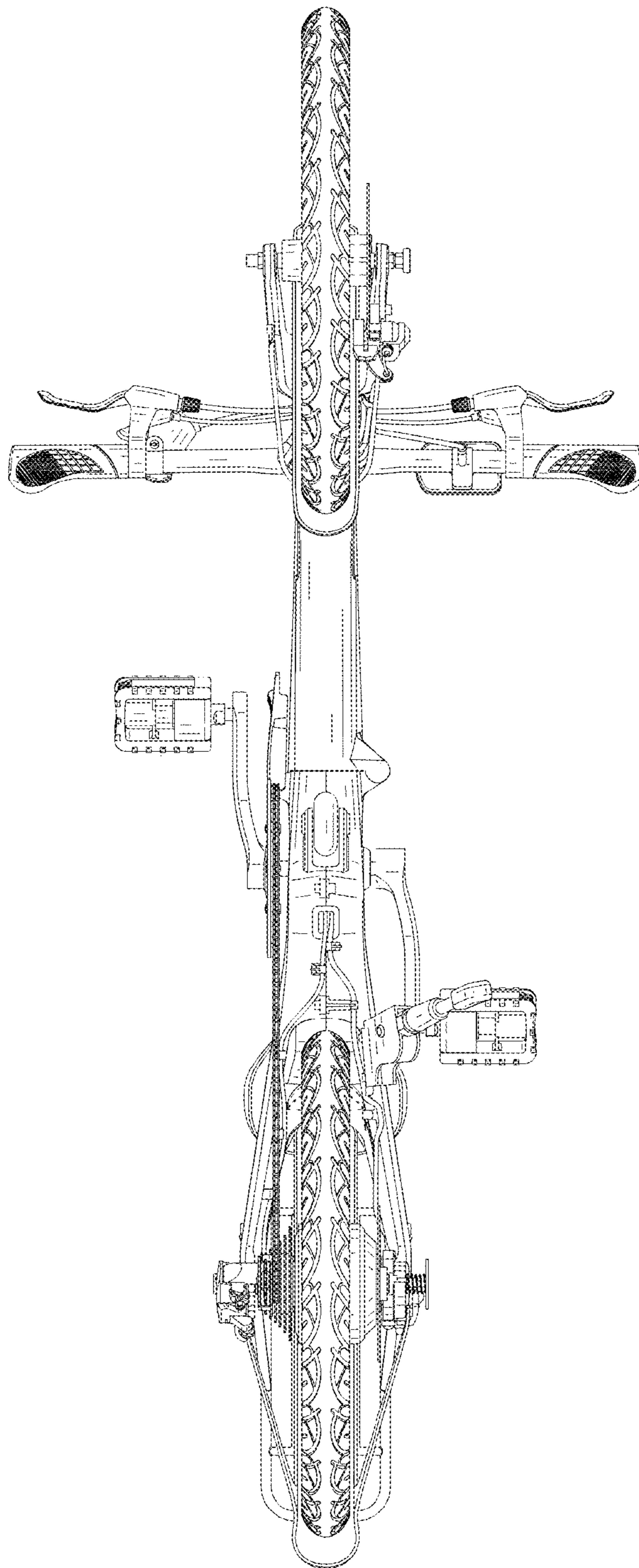


FIG. 8

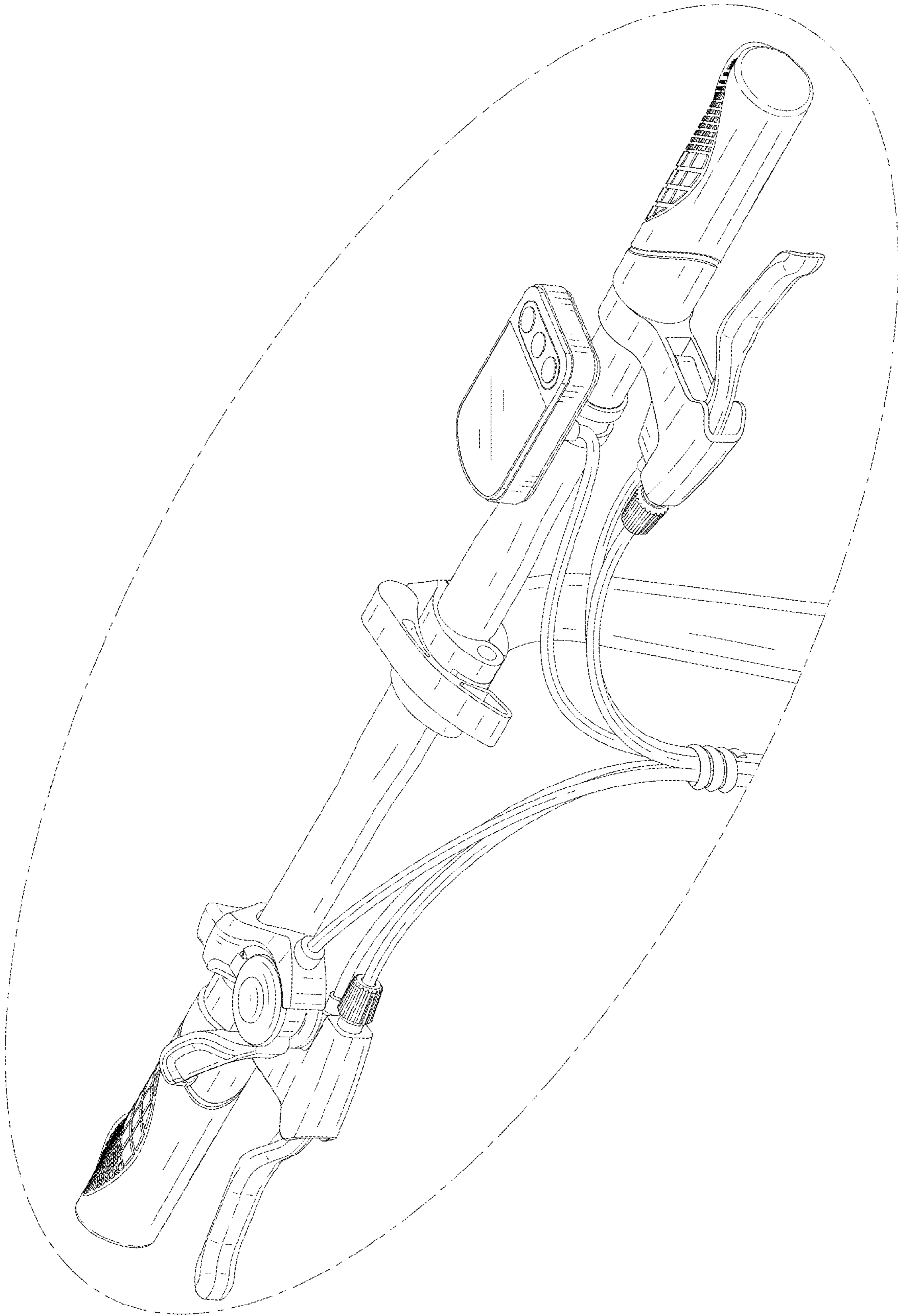


FIG. 9

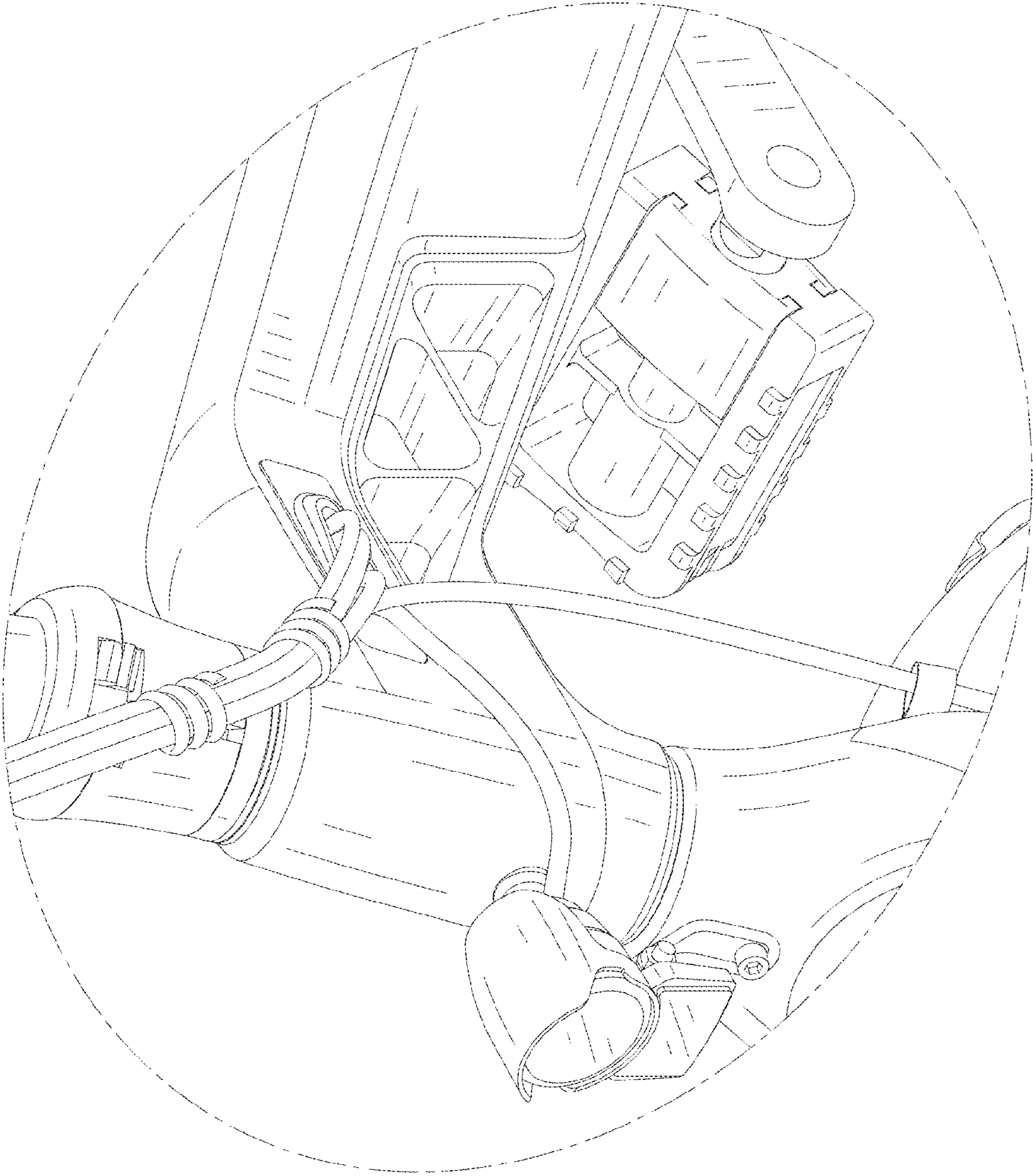


FIG. 10

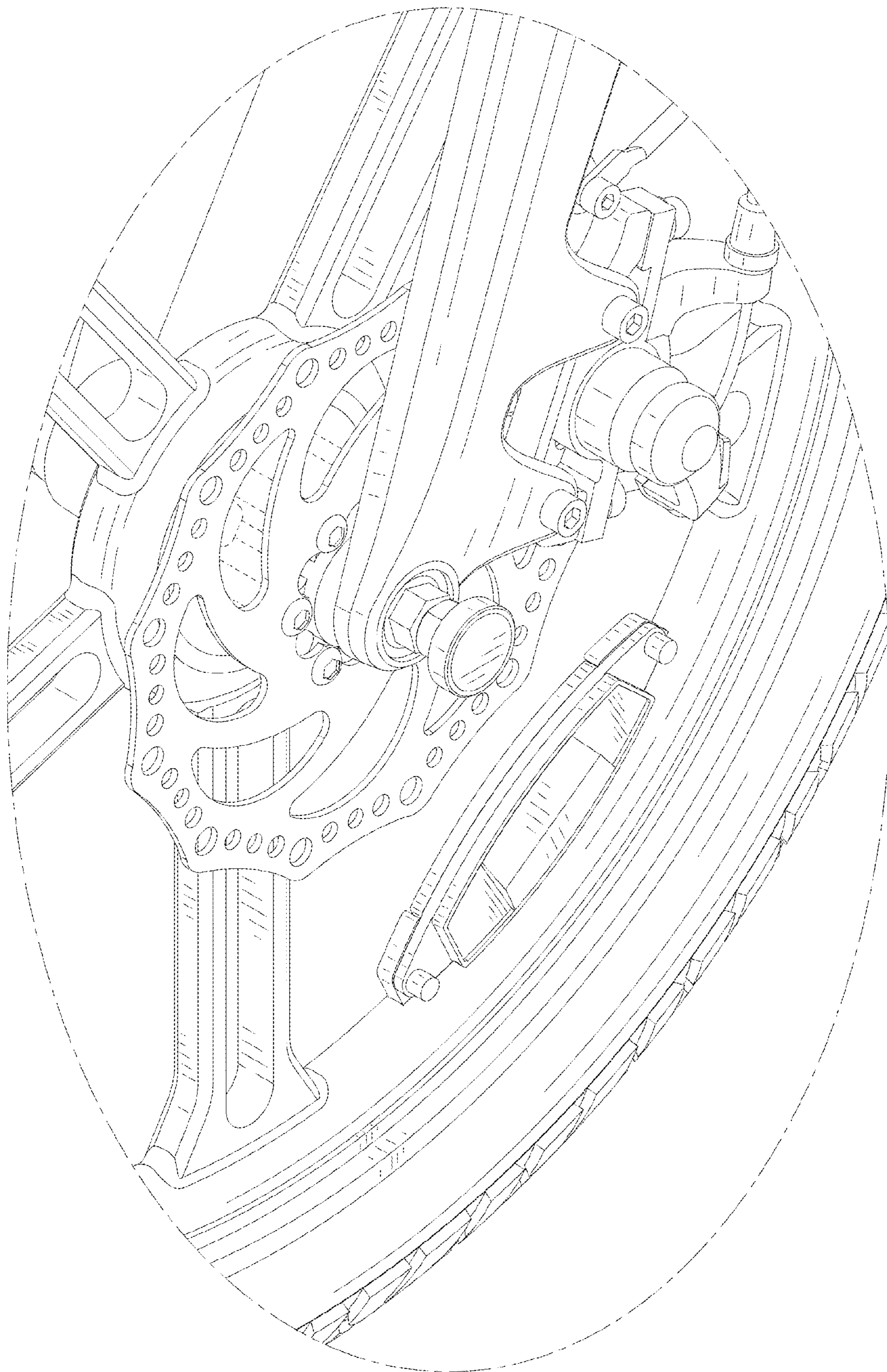


FIG. 11

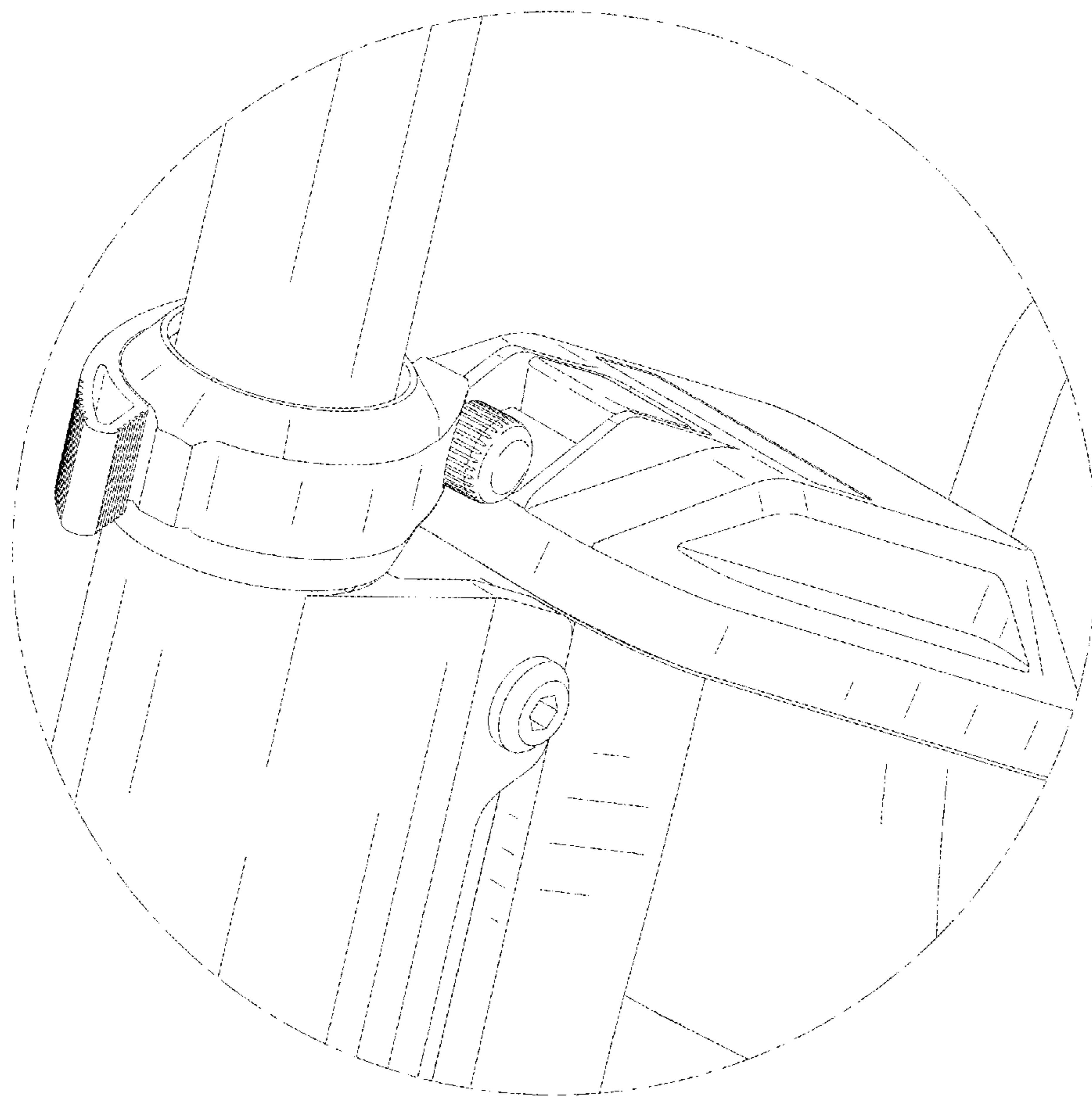


FIG. 12

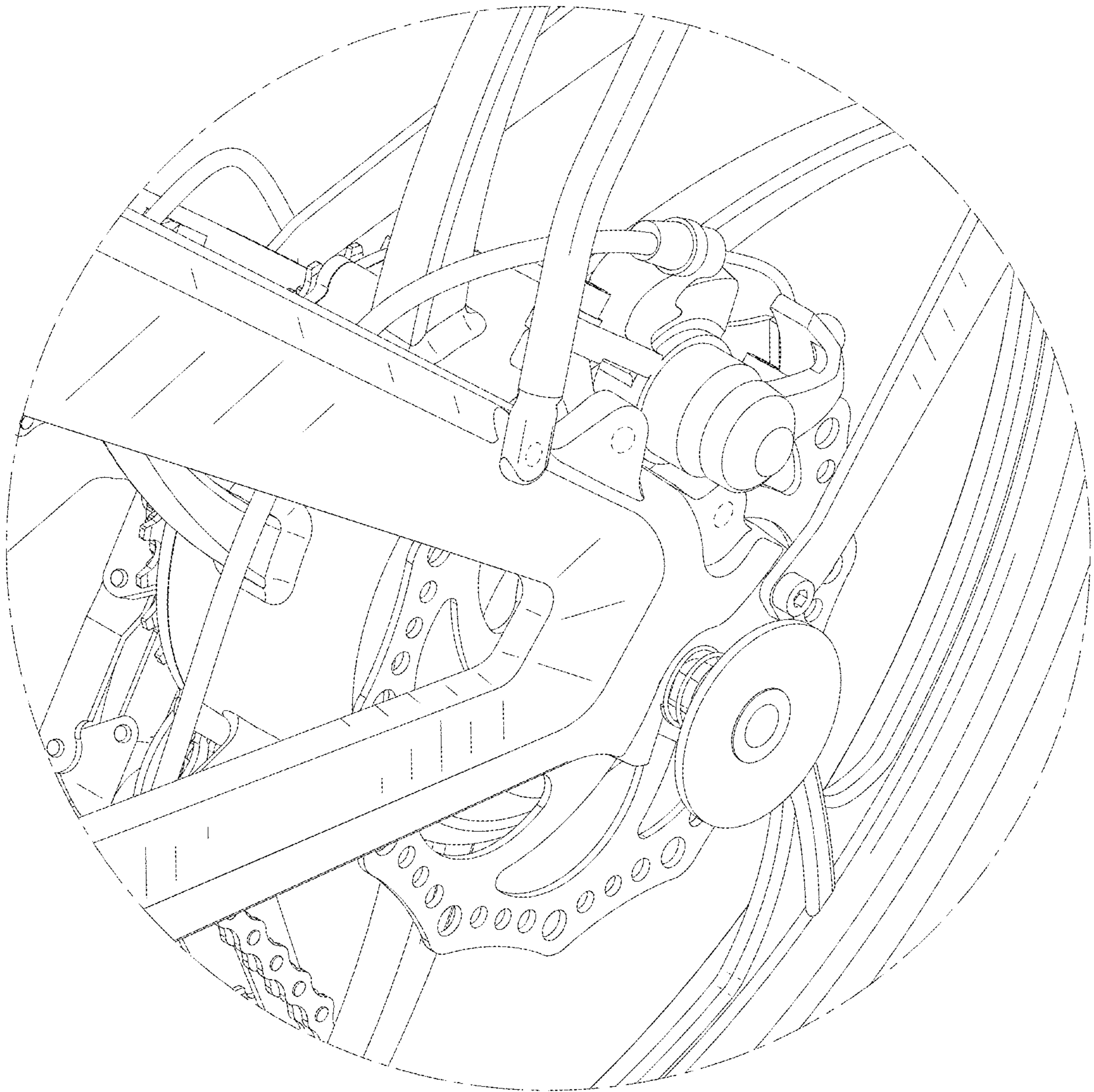


FIG. 13

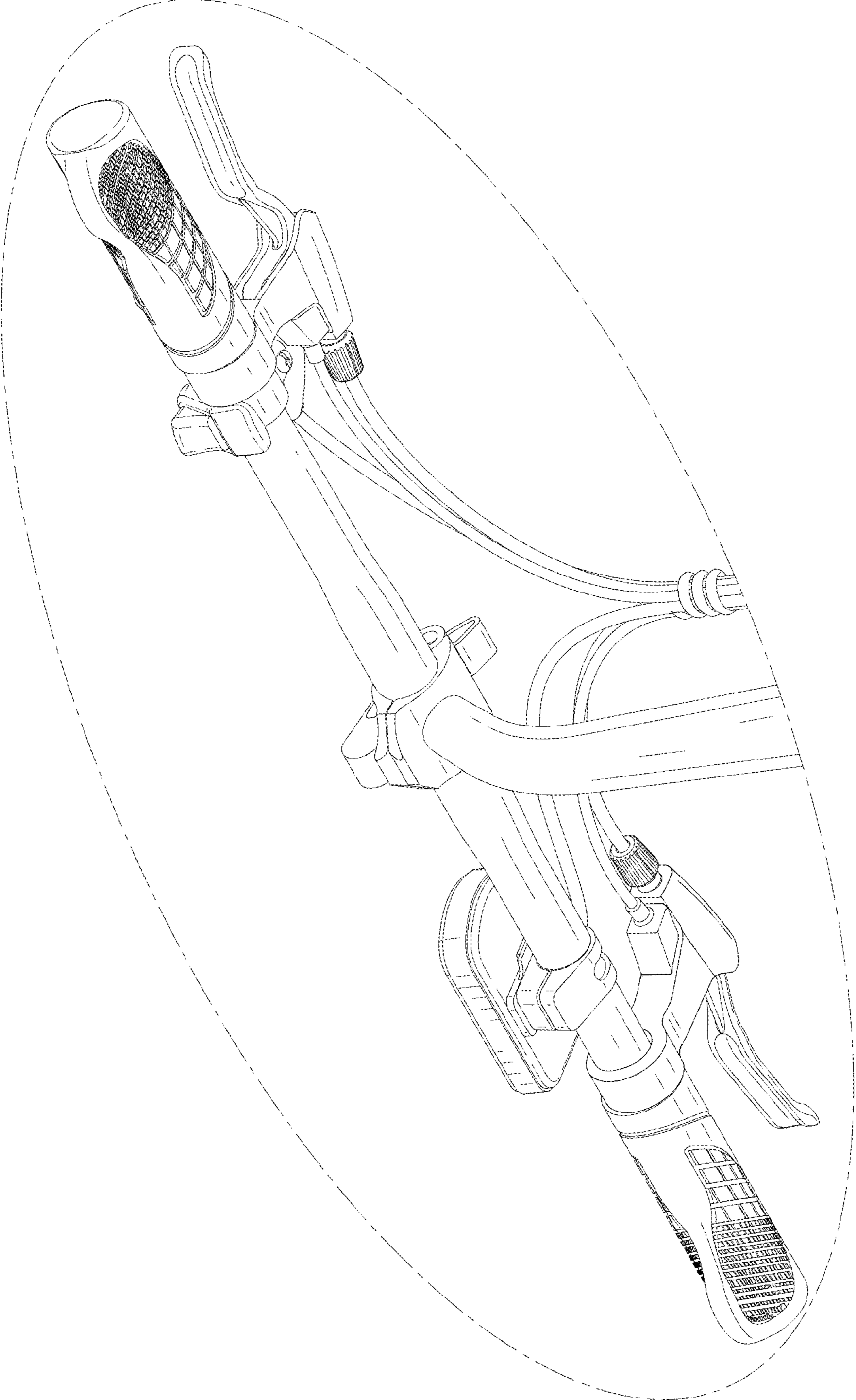


FIG. 14



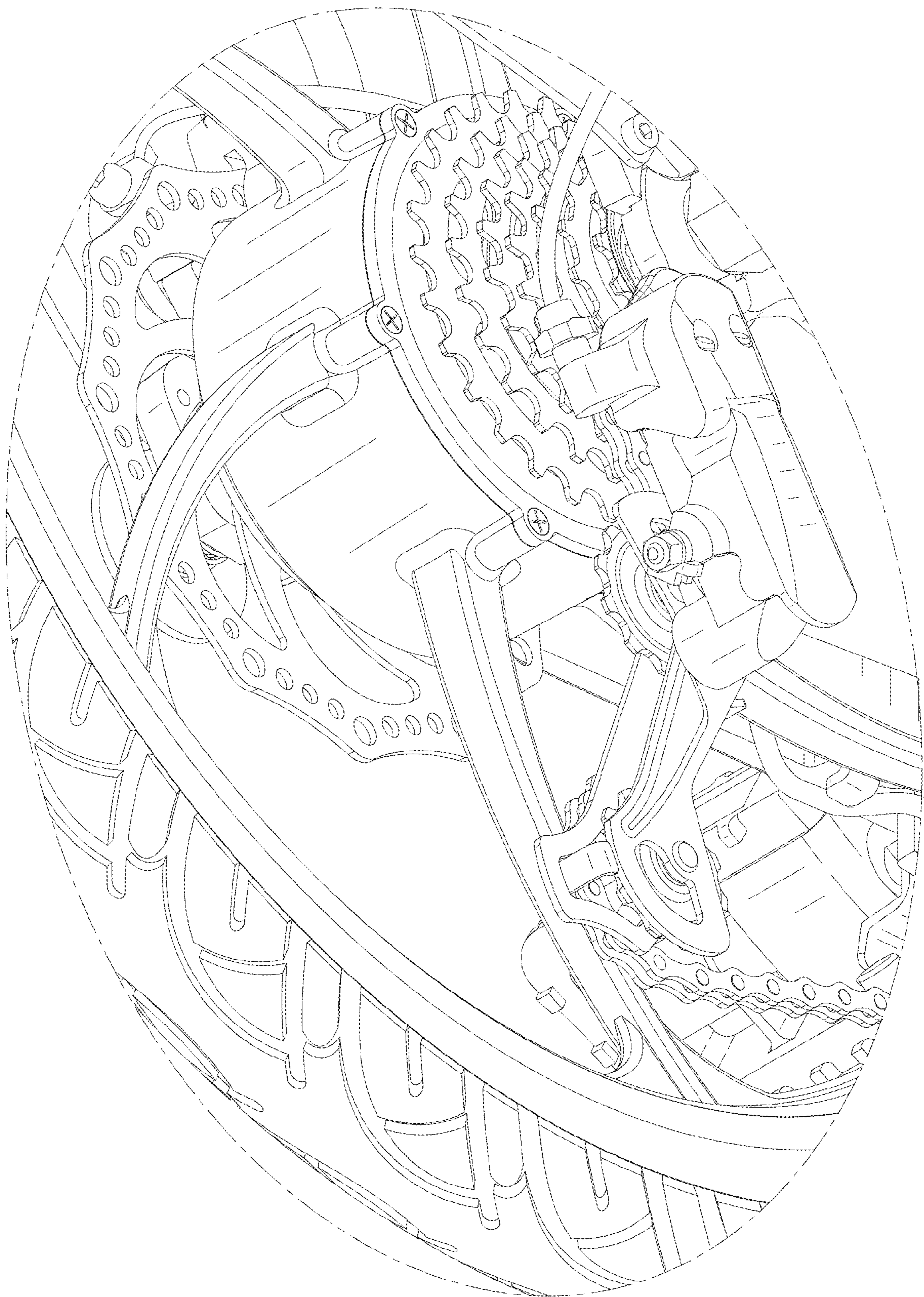


FIG. 15

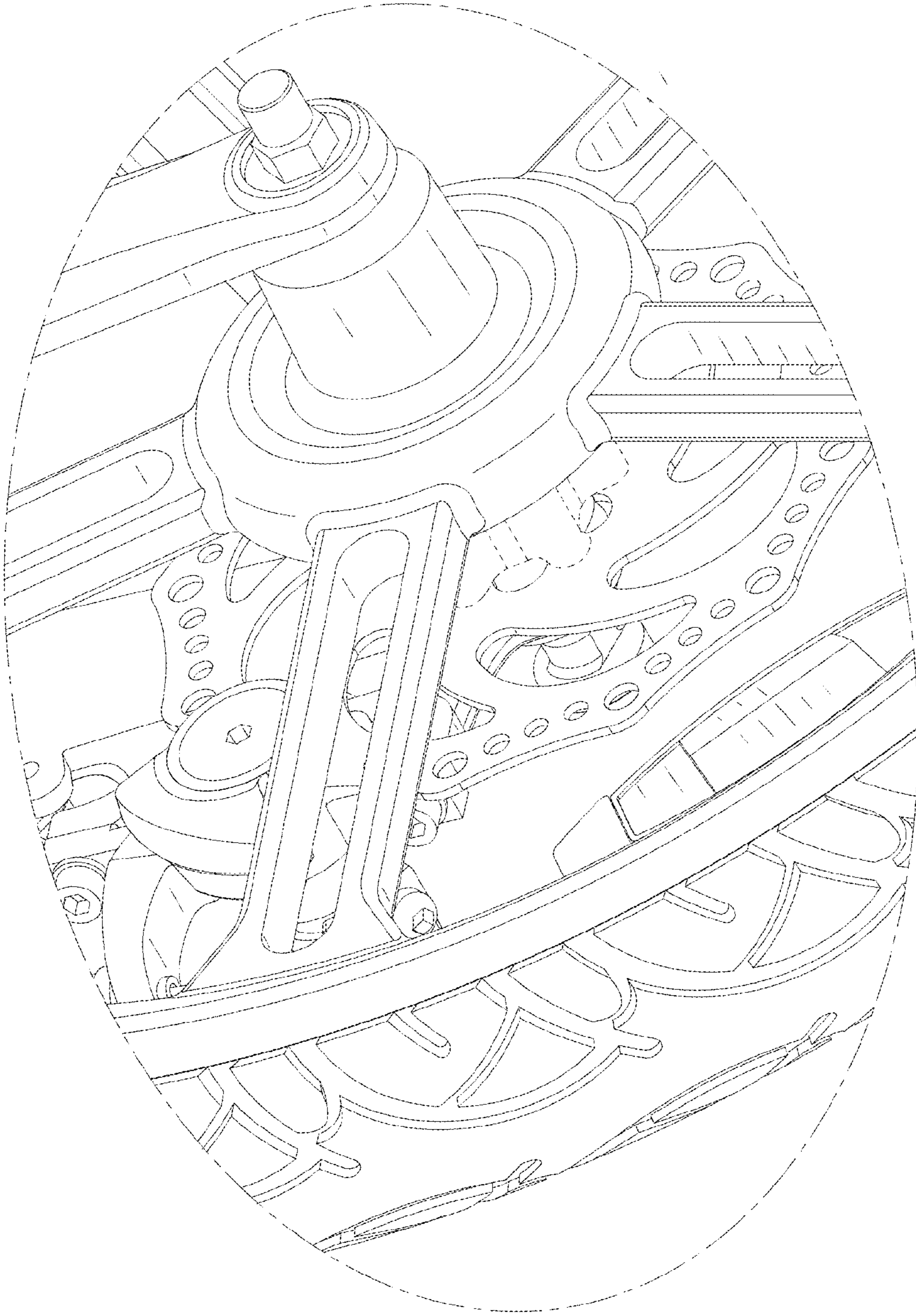


FIG. 16

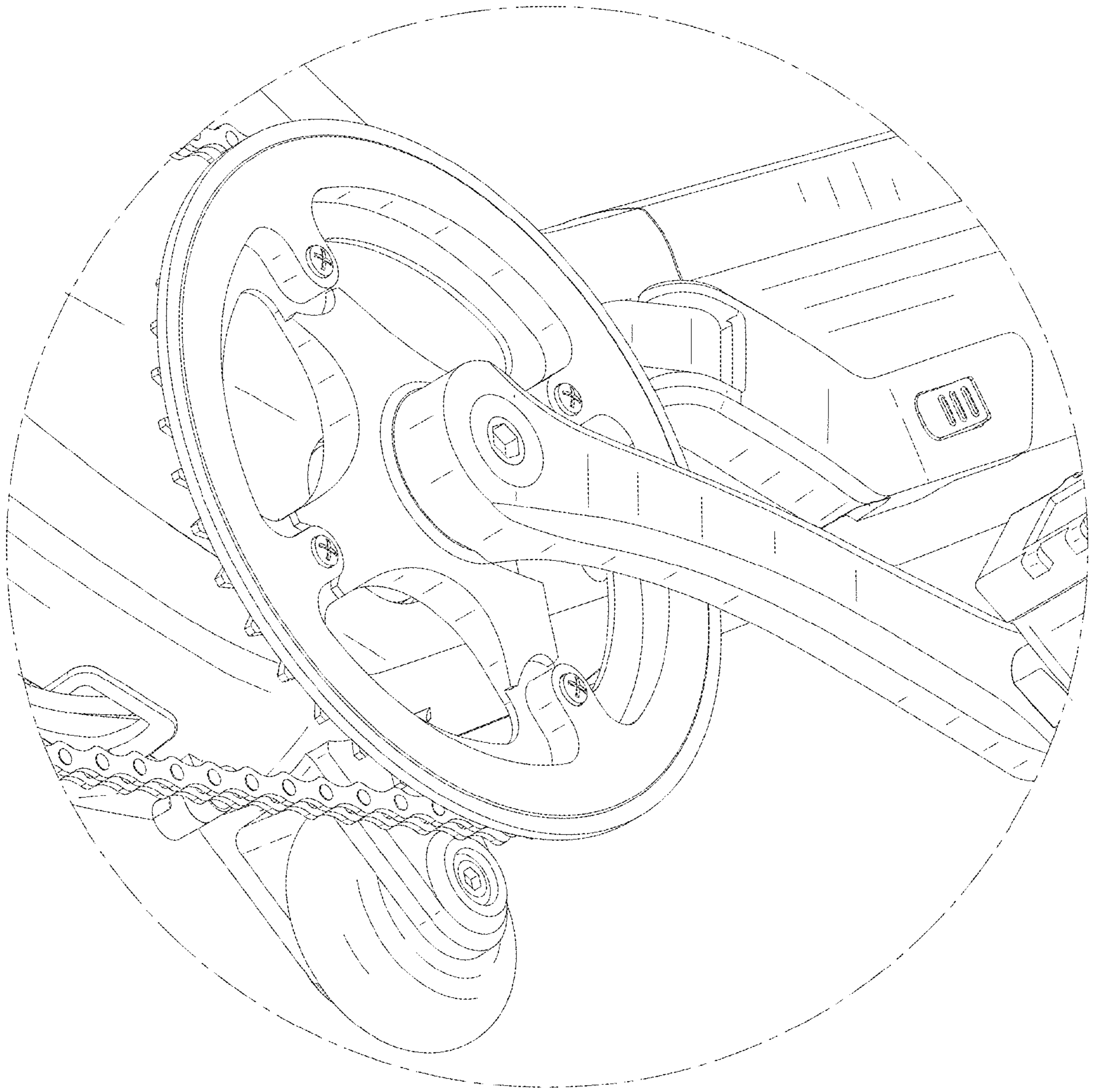


FIG. 17

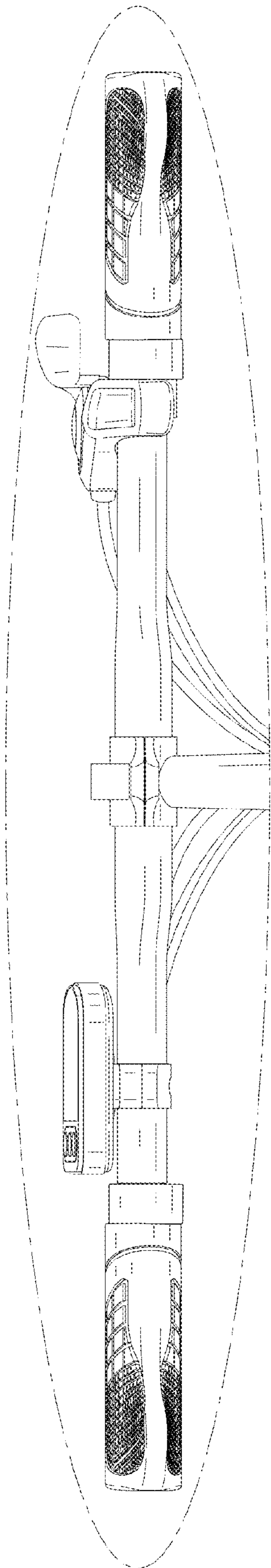


FIG. 18

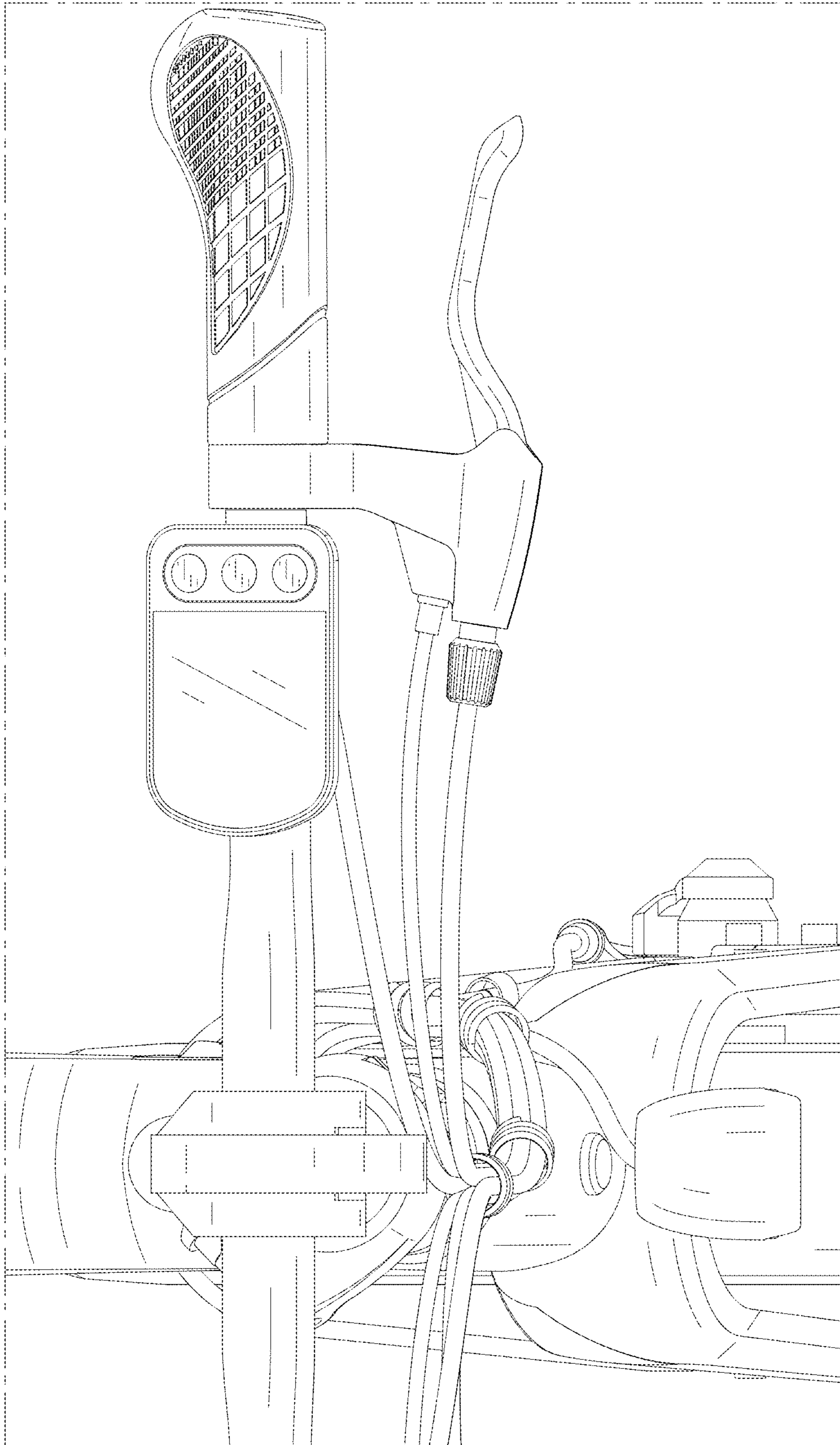


FIG. 19