



US00D957289S

(12) **United States Design Patent** (10) **Patent No.:** **US D957,289 S**  
**Stronach** (45) **Date of Patent:** **\*\* \*Jul. 12, 2022**

(54) **PERSONAL ELECTRIC VEHICLE**  
(71) Applicant: **Elvy Inc.**, Newmarket (CA)  
(72) Inventor: **Frank Stronach**, Aurora (CA)  
(73) Assignee: **ELVY INC.**, Newmarket (CA)  
(\* ) Notice: This patent is subject to a terminal disclaimer.

D469,386 S \* 1/2003 Hanagan ..... D12/85  
D484,439 S \* 12/2003 Hanagan ..... D12/85  
D584,188 S \* 1/2009 Jenkins ..... D12/85  
D695,644 S \* 12/2013 Timonen ..... D12/85  
8,678,123 B2 \* 3/2014 Tako ..... B62K 5/025  
180/220  
8,899,364 B1 12/2014 Al Qanaei  
9,004,220 B2 4/2015 Kawaguchi et al.  
9,272,744 B1 \* 3/2016 de Haan ..... B62D 31/003  
(Continued)

(\*\*) Term: **15 Years**  
(21) Appl. No.: **29/739,943**  
(22) Filed: **Jun. 30, 2020**  
(51) **LOC (13) Cl.** ..... **12-08**  
(52) **U.S. Cl.**  
USPC ..... **D12/85**  
(58) **Field of Classification Search**  
USPC ..... D12/85, 86, 107; D21/424, 433, 434  
CPC ..... B62D 21/11; B62D 29/043; B62D 31/00;  
B62D 49/00; B62D 61/065; B62L 3/00;  
B62K 3/005; B62K 5/01; B62K 5/08;  
B62K 5/027  
See application file for complete search history.

**OTHER PUBLICATIONS**

“Riding the prototype of the SARIT created by Frank Stronach.”  
Frank Stronach., posted date Sep. 16, 2020 [online], [retrieved on  
Nov. 4, 2021]. Retrieved from the Internet <URL: <https://twitter.com/tmrakas/status/1306415977257734144?lang=en>> (Year: 2020).\*  
(Continued)

*Primary Examiner* — Darlington Ly  
*Assistant Examiner* — Nasim Abdulaziz Ali  
(74) *Attorney, Agent, or Firm* — Michael Best &  
Friedrich LLP

(57) **CLAIM**

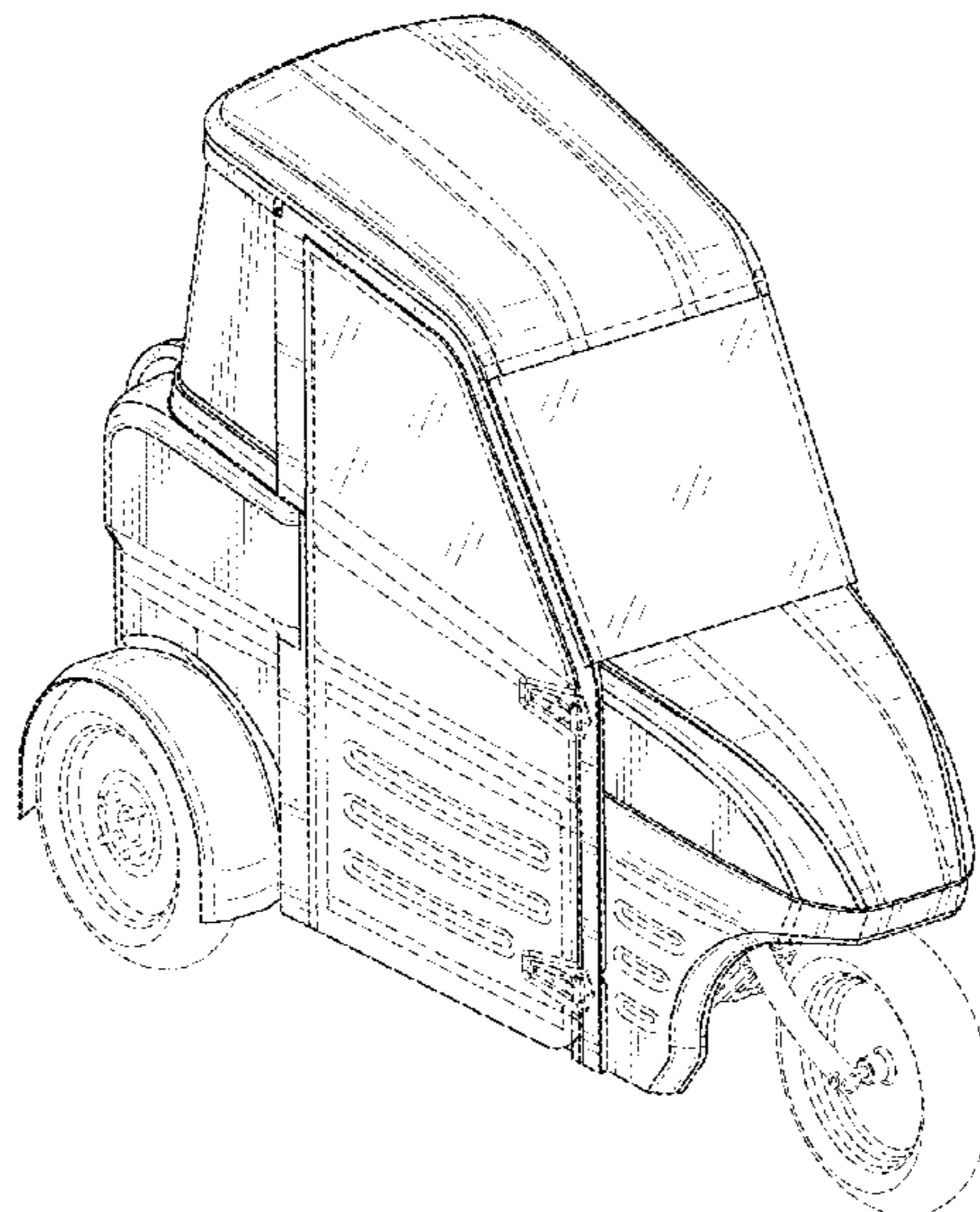
I claim the ornamental design for a personal electric vehicle,  
as shown and described.

**DESCRIPTION**

FIG. 1 is a front perspective view of a personal electric  
vehicle, embodying my new design;  
FIG. 2 is a rear perspective view thereof;  
FIG. 3 is a left side elevation view thereof;  
FIG. 4 is a front elevation view thereof;  
FIG. 5 is a right side elevation view thereof;  
FIG. 6 is a rear elevation view thereof;  
FIG. 7 is a top plan view thereof; and,  
FIG. 8 is a bottom plan view thereof.  
The broken lines represent portions of the personal electric  
vehicle that form no part of the claimed design.

(56) **References Cited**  
**U.S. PATENT DOCUMENTS**  
D188,718 S 3/1877 Yantis  
2,779,092 A 1/1957 Gordon  
3,554,311 A 1/1971 Thompson et al.  
4,027,739 A 6/1977 Allenthorp et al.  
5,327,989 A 7/1994 Furuhashi et al.  
5,806,622 A 9/1998 Murphy  
D407,348 S \* 3/1999 Riley ..... D12/85  
5,918,692 A \* 7/1999 Sekita ..... B60K 1/04  
180/56  
5,947,222 A \* 9/1999 Yamaoka ..... B62D 61/06  
180/210  
D422,940 S \* 4/2000 Hanagan ..... D12/85  
D424,979 S \* 5/2000 Hanagan ..... D12/85

**1 Claim, 8 Drawing Sheets**



(56)

References Cited

U.S. PATENT DOCUMENTS

D763,765 S 8/2016 Tu et al.  
 9,701,346 B2 7/2017 Deckard et al.  
 9,895,946 B2 2/2018 Schlangen et al.  
 D824,805 S \* 8/2018 Karka ..... D12/85  
 10,053,153 B2 8/2018 Kobayashi et al.  
 10,160,301 B2 12/2018 Perlo et al.  
 10,167,023 B2 1/2019 Schneider et al.  
 10,266,199 B2 4/2019 Gong et al.  
 10,427,578 B2 10/2019 Deckard et al.  
 10,532,772 B2 1/2020 Upah et al.  
 D875,603 S 2/2020 Grand  
 10,549,632 B1 2/2020 Dunne, Jr. et al.  
 10,661,680 B2 5/2020 Milton et al.  
 11,066,105 B2 7/2021 Lutz et al.  
 2004/0129489 A1 7/2004 Brasseal et al.  
 2009/0243343 A1 10/2009 Tamakoshi  
 2009/0255747 A1 10/2009 Kasaba et al.  
 2013/0214558 A1 8/2013 Lohmann et al.

2014/0019006 A1\* 1/2014 Bruce ..... B60W 10/20  
 701/41  
 2017/0197664 A1 7/2017 Yoshida et al.  
 2017/0324128 A1 11/2017 Milton et al.  
 2018/0261899 A1 9/2018 Milton et al.  
 2021/0031837 A1 2/2021 Schmidt

OTHER PUBLICATIONS

“Magna founder Frank Stronach plans to build 3-wheeled EV”  
 Frank Stronach ., posted date Apr. 6, 2021 [online], [retrieved on  
 Nov. 4, 2021]. Retrieved from the Internet <URL: [https://canada.  
 autonews.com/electric-vehicles/magna-founder-frank-stronach-plans-  
 build-3-wheeled-ev-reports-say](https://canada.autonews.com/electric-vehicles/magna-founder-frank-stronach-plans-build-3-wheeled-ev-reports-say)> (Year: 2021).\*  
 “10 Cars That Only Had Three Wheels” Motor1., posted date Jun.  
 17, 2018 [online], [retrieved on Nov. 4, 2021]. Retrieved from the  
 Internet <URL: [https://www.motor1.com/features/249411/three-  
 wheel-cars-slideshow/](https://www.motor1.com/features/249411/three-wheel-cars-slideshow/)> (Year: 2018).\*

\* cited by examiner

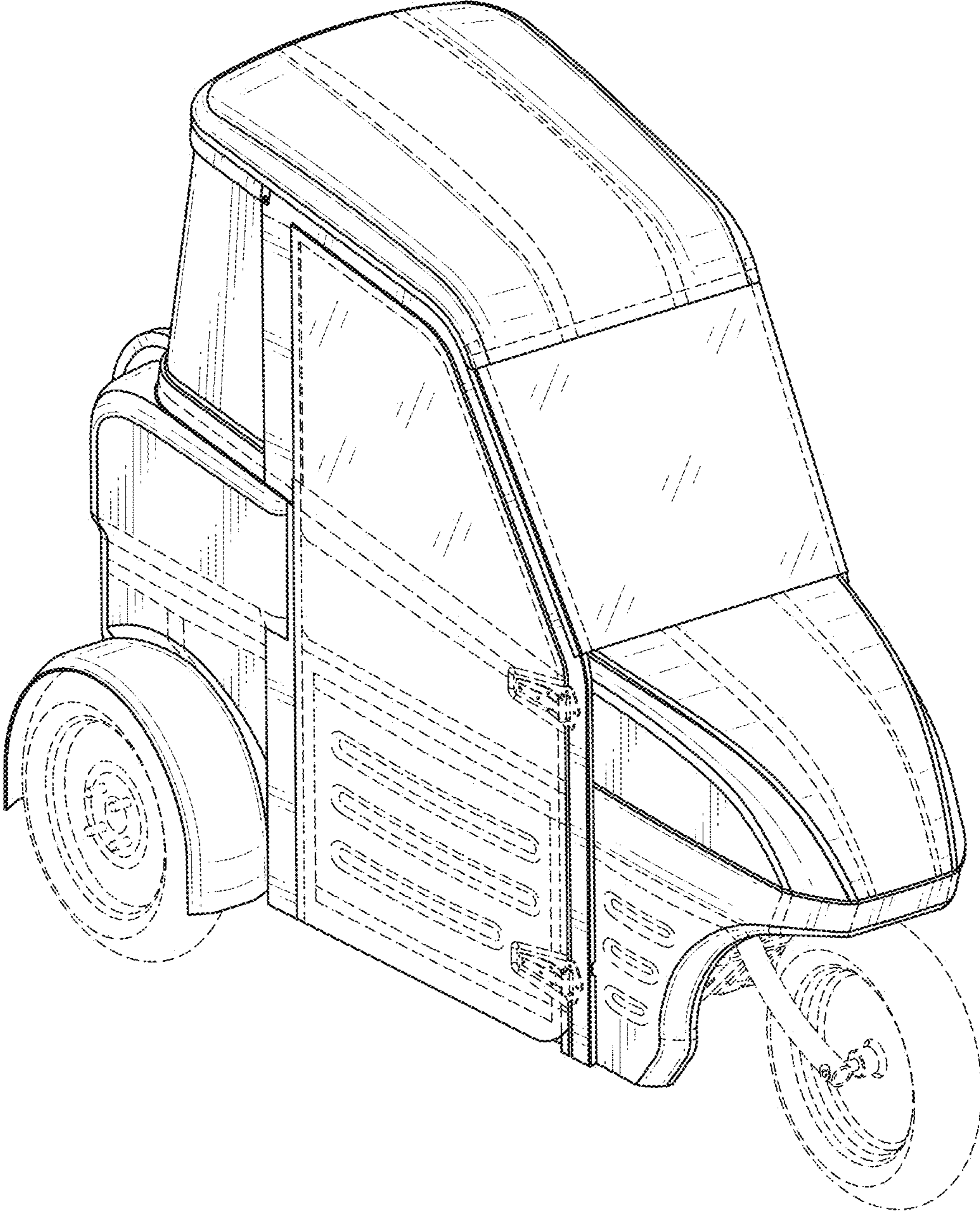


FIG. 1

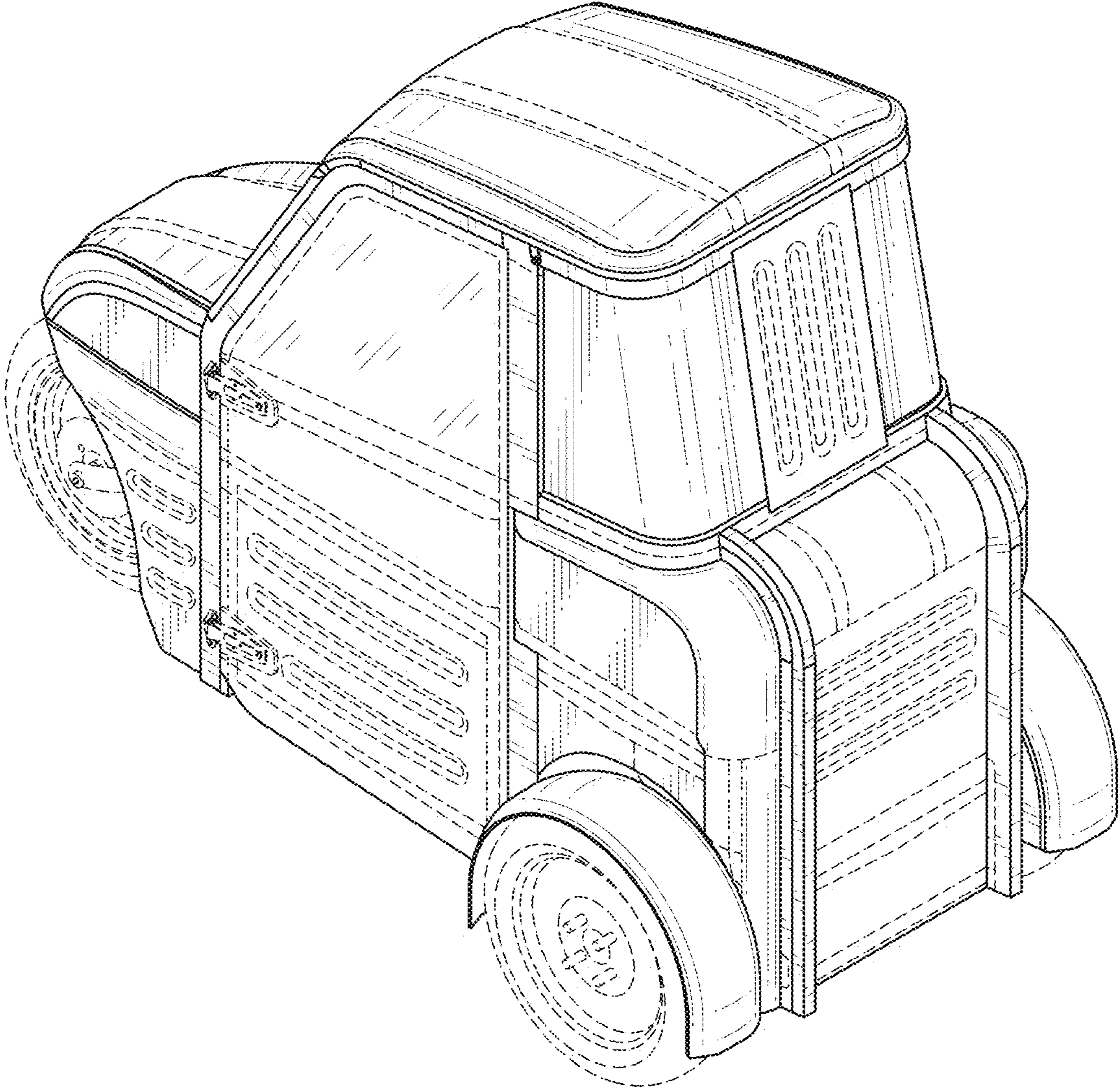


FIG. 2

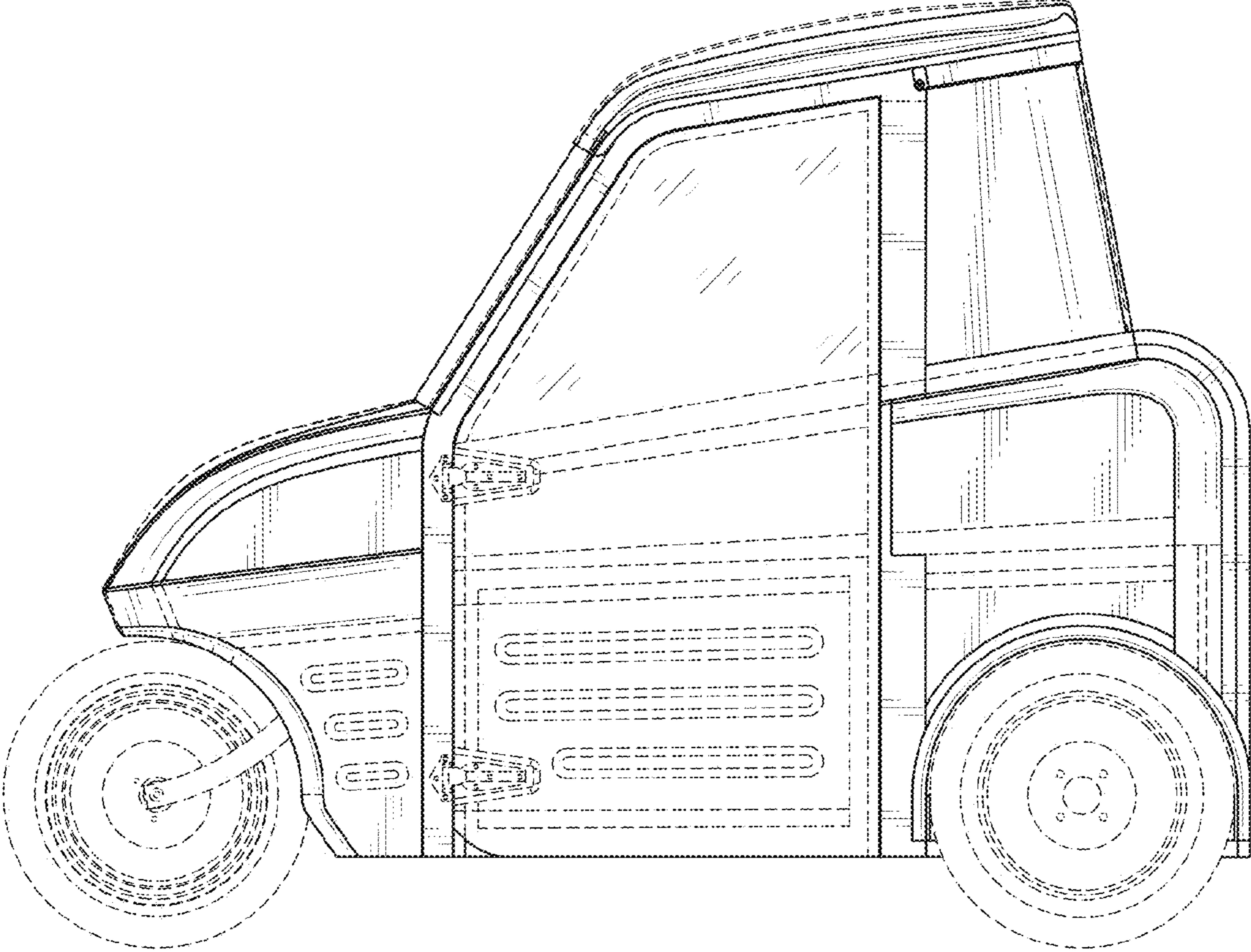


FIG. 3

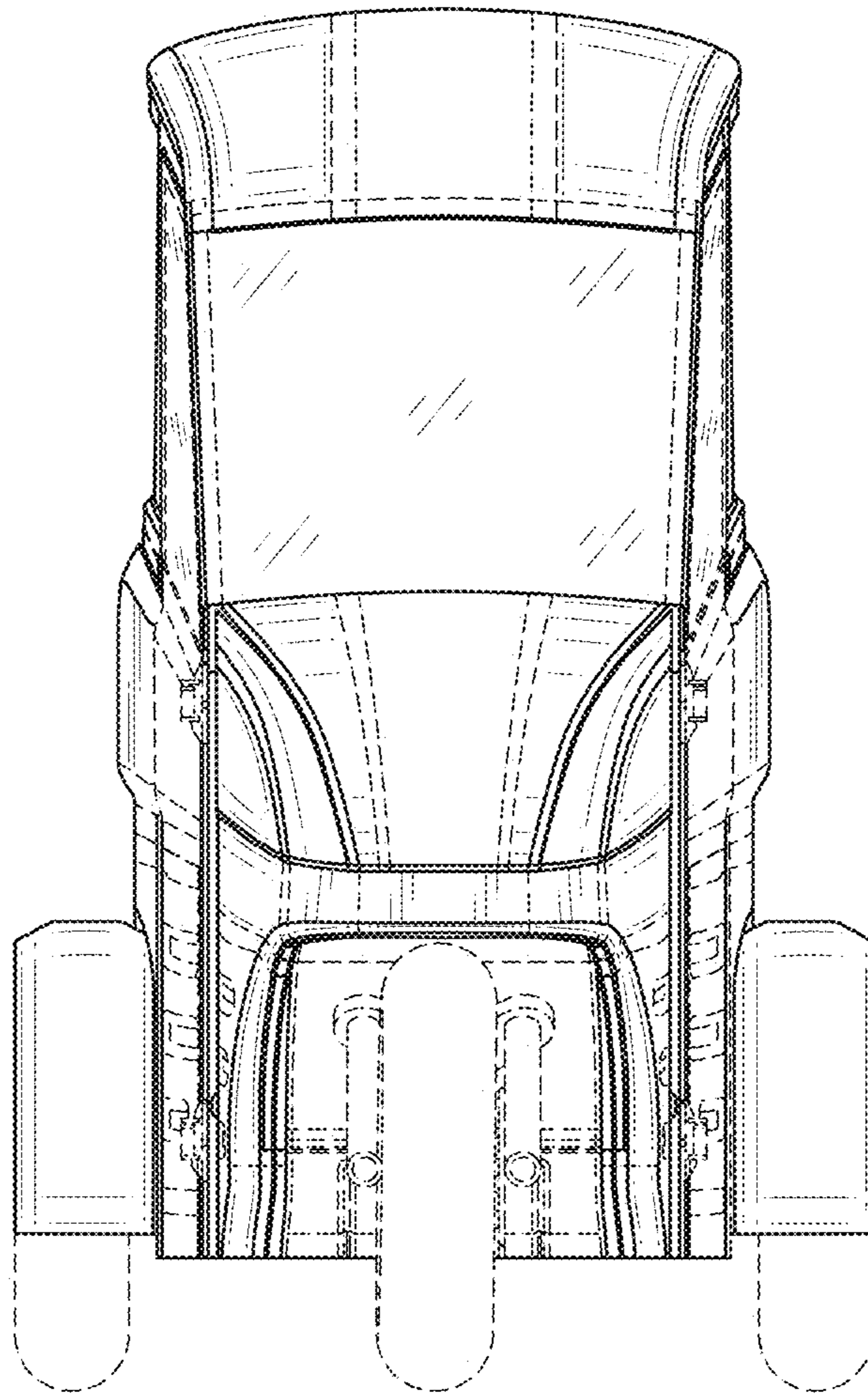


FIG. 4

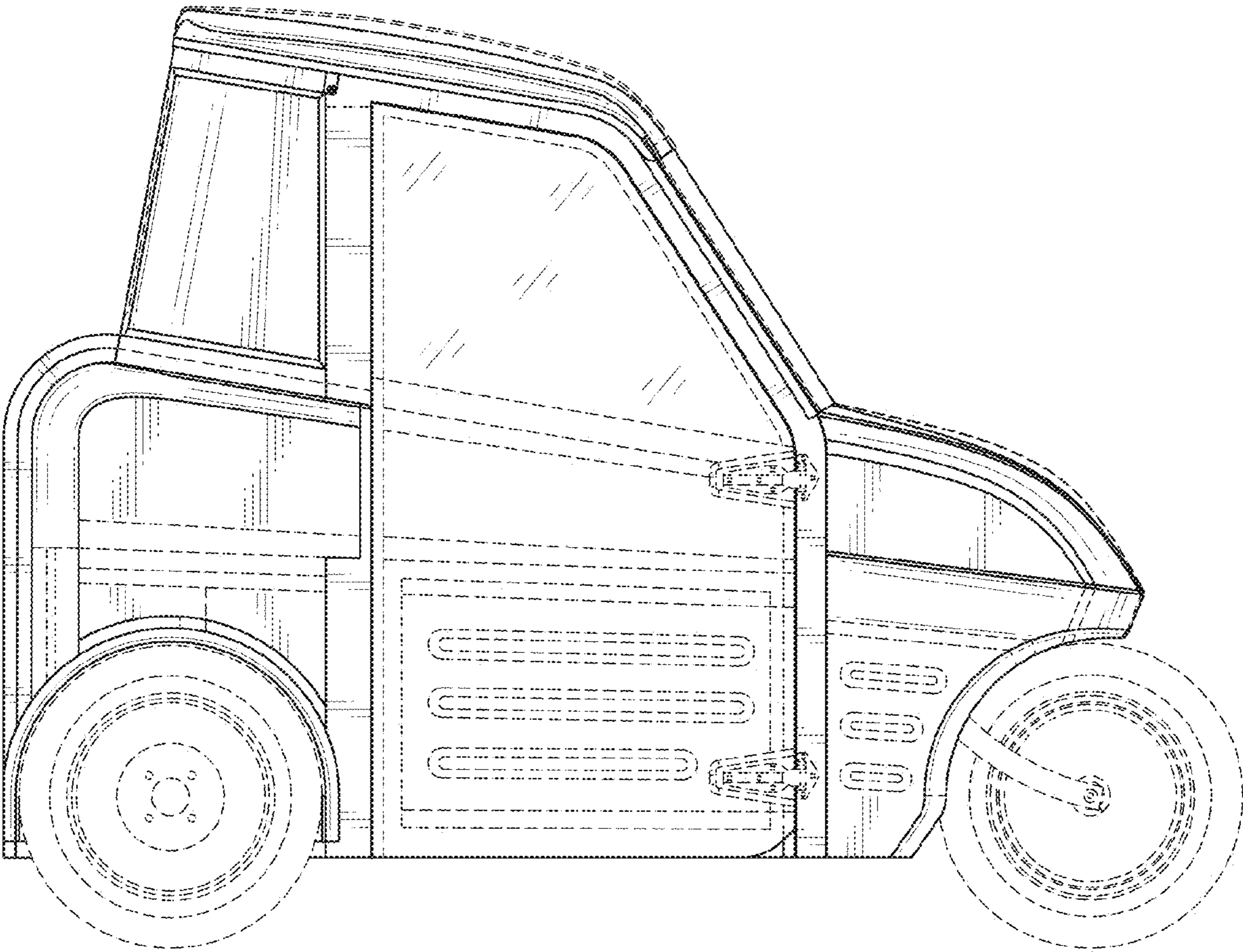


FIG. 5

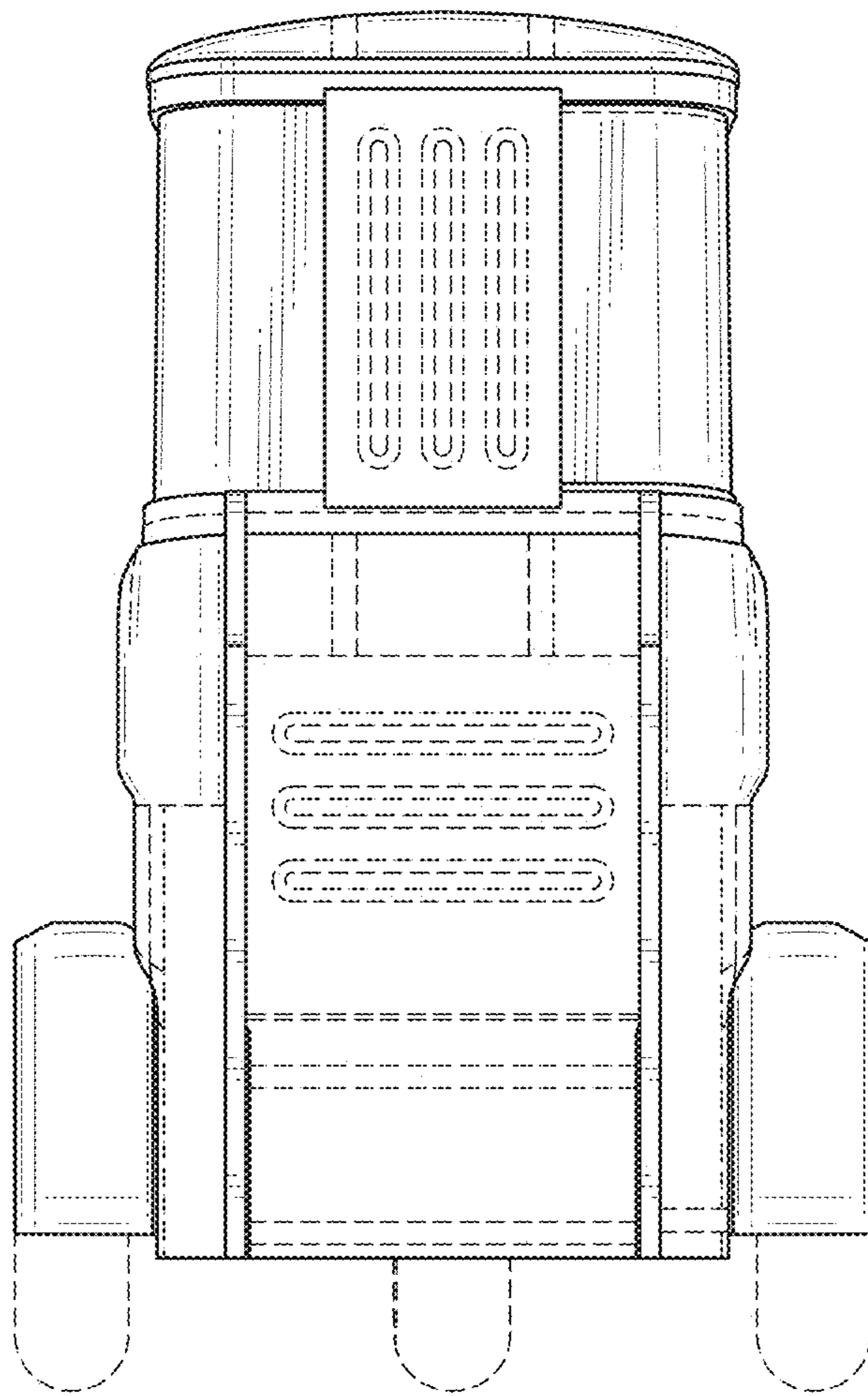


FIG. 6



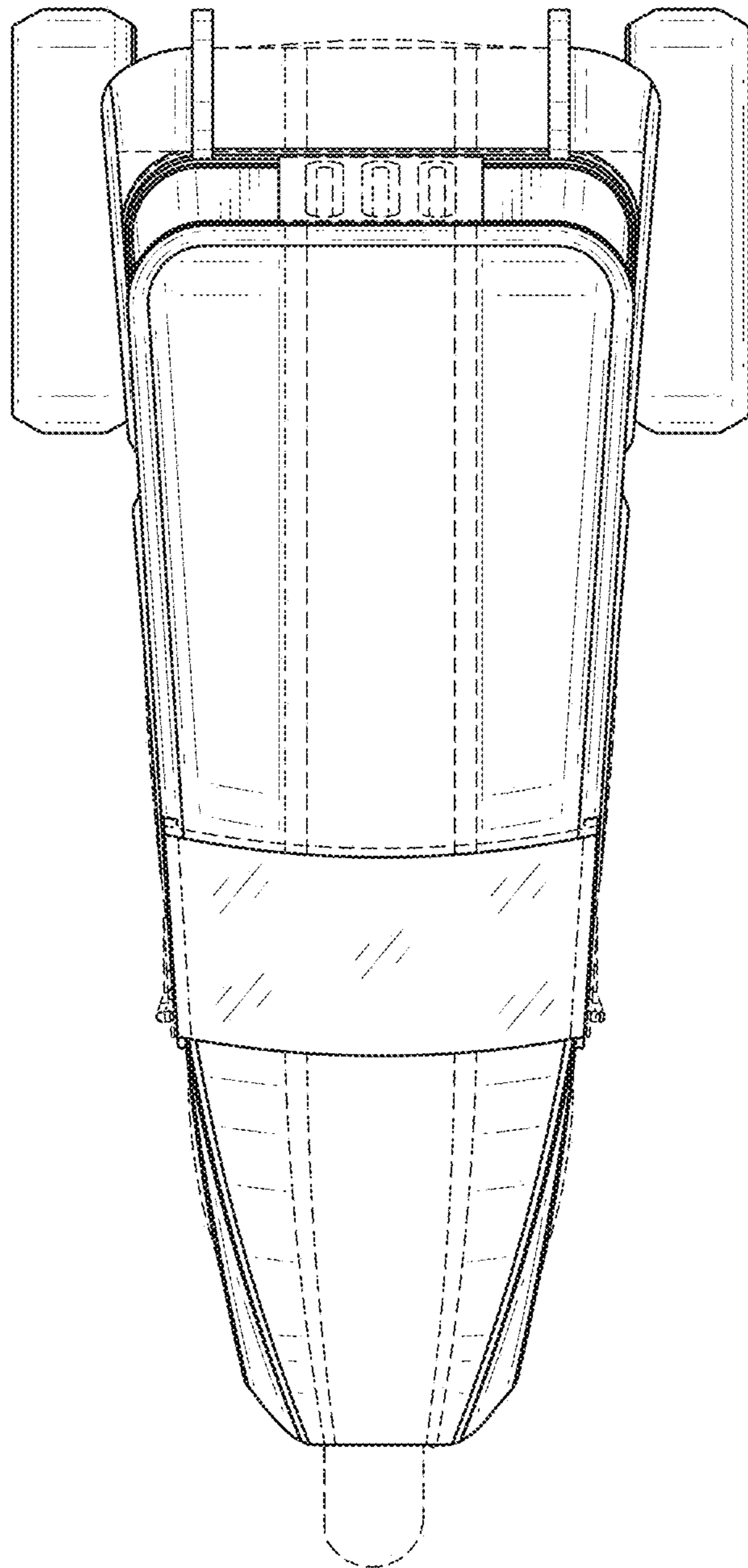


FIG. 7

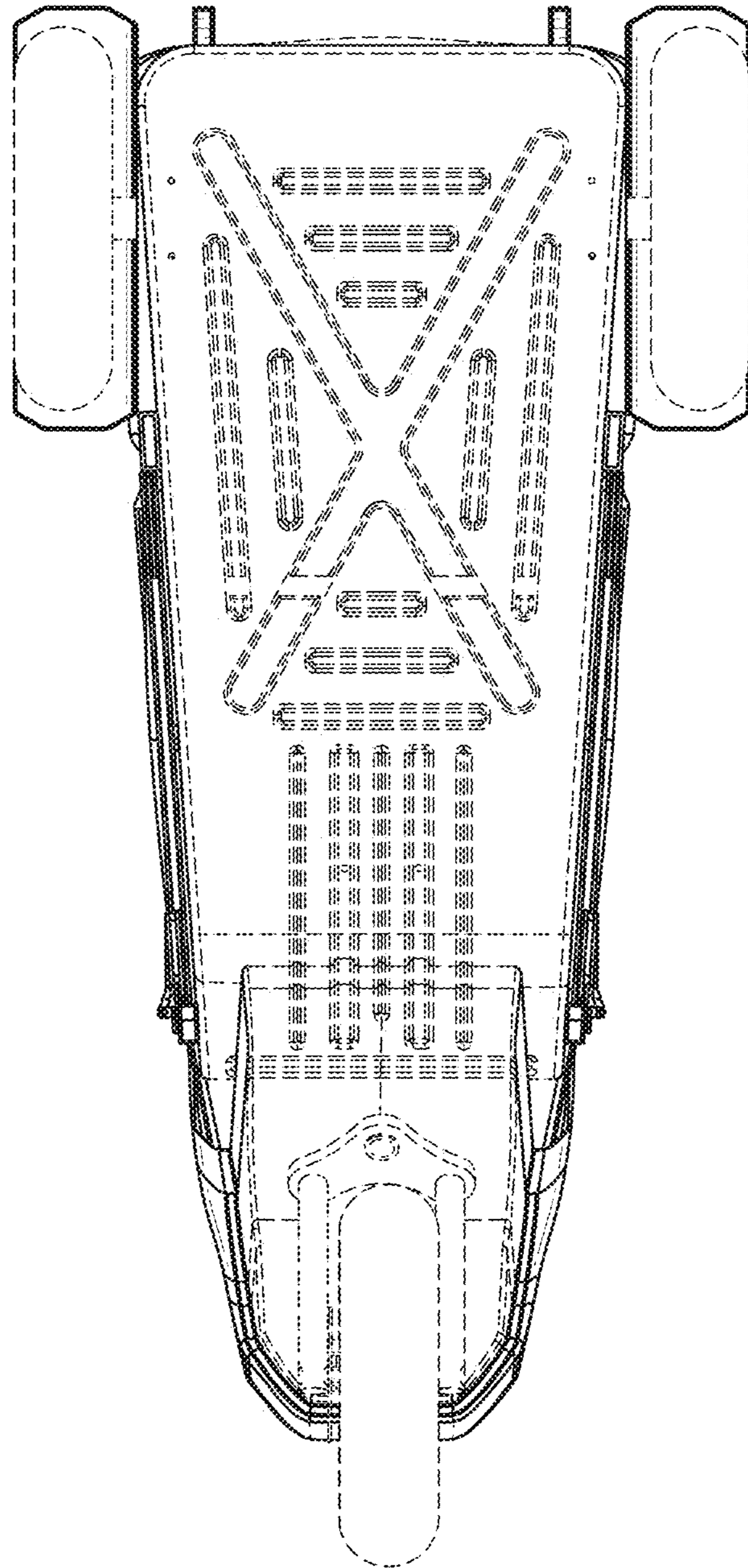


FIG. 8