



US00D957287S

(12) **United States Design Patent** (10) **Patent No.:** **US D957,287 S**
Li (45) **Date of Patent:** **** Jul. 12, 2022**

(54) **CLASP FOR SHOULDER STRAP**

(71) Applicant: **Xiying Li**, Guangdong (CN)

(72) Inventor: **Xiying Li**, Guangdong (CN)

(**) Term: **15 Years**

(21) Appl. No.: **29/777,116**

(22) Filed: **Apr. 2, 2021**

(51) **LOC (13) Cl.** **02-07**

(52) **U.S. Cl.**
USPC **D11/234**

(58) **Field of Classification Search**
USPC D11/200, 201, 212, 214, 216, 218, 226,
D11/228, 234-37, 3, 231; D30/151, 152;
D3/246, 290, 900, 321, 324, 326, 232,
D3/233, 239, 242, 243, 245, 327;
D10/32; D2/627-639, 626, 640
CPC A41F 9/002; A41F 9/025; A44B 11/00;
A44B 11/001; A44B 11/005; A44B
11/006; A44B 11/02; A44B 11/04; A44B
11/18; A44B 11/20; A44B 11/226
See application file for complete search history.

(56) **References Cited**

U.S. PATENT DOCUMENTS

D269,738 S *	7/1983	Stark	D3/290
D399,057 S *	10/1998	Akutsu	D3/290
D545,059 S *	6/2007	Gerbi	D3/246
D561,468 S *	2/2008	Maier	D3/232
D570,104 S *	6/2008	Maier	D3/232
D591,506 S *	5/2009	Yohji	D3/245
D596,398 S *	7/2009	Chu	D3/283
D604,049 S *	11/2009	Chu	D3/321
D640,467 S *	6/2011	Gerbi	D3/243
D643,620 S *	8/2011	Gerbi	D3/232
D674,598 S *	1/2013	Gerbi	D3/232
D684,766 S *	6/2013	Gerbi	D3/243
D685,184 S *	7/2013	Gerbi	D3/245

D754,779 S	4/2016	Daniel	
D762,062 S *	7/2016	Spaziani D3/243
D789,093 S	6/2017	Kinsky	
D795,571 S *	8/2017	Nair D3/243
10,244,825 B2 *	4/2019	Greenham A41F 9/025
D851,398 S *	6/2019	Li D3/243
D866,182 S *	11/2019	Chen D3/290
D901,889 S *	11/2020	Jacobs D3/245

OTHER PUBLICATIONS

Amazon Oaikor, Mar. 12, 2021, [online], [site visited Jan. 11, 2022]. Retrieved from url:https://www.amazon.com/dp/B08YNJT1B3?ref=vse_pfo_vdp (Year: 2021).*

Amazon Oaikor, ASIN B08YN6SSQY, Mar. 12, 2021, [online], [site visited Jan. 11, 2022]. Retrieved from url:https://www.amazon.com/dp/B08YN6SSQY (Year: 2021).*

Amazon ASIN B08YNJT1B3, Apr. 3, 2021, online, site visited Apr. 12, 2022. Retrieved from url:https://www.amazon.com/dp/B08YNJT1B3?ref=vse_pfo_vdp (Year: 2021).*

* cited by examiner

Primary Examiner — Tracey J Bell
(74) *Attorney, Agent, or Firm* — ScienBiziP, P.C.

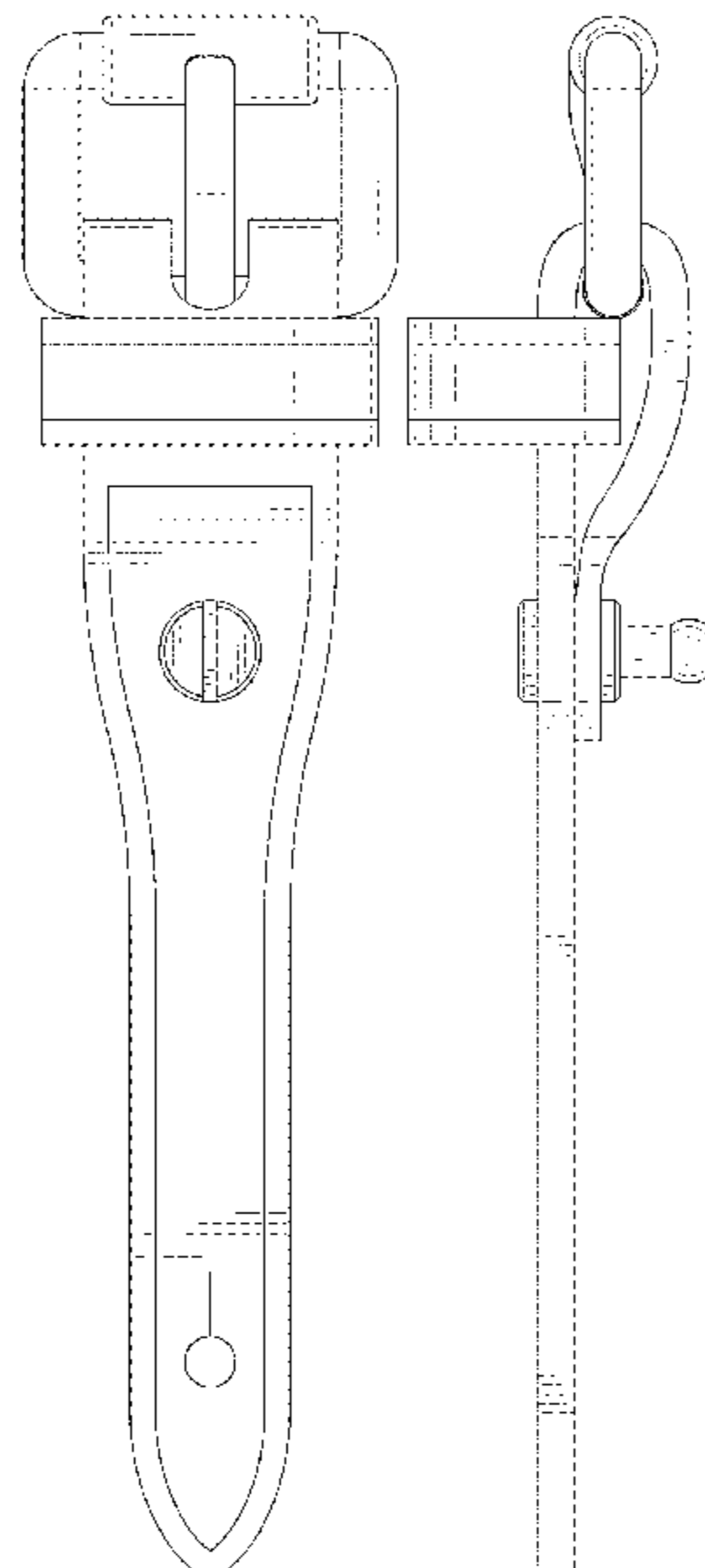
(57) **CLAIM**

The ornamental design for a clasp for shoulder strap, as shown and described.

DESCRIPTION

FIG. 1 is a front, right, and top perspective view of a clasp for shoulder strap, showing my design.
FIG. 2 is a rear, left, and top perspective view thereof.
FIG. 3 is a front elevation view thereof.
FIG. 4 is a rear elevation view thereof.
FIG. 5 is a left side elevation view thereof.
FIG. 6 is a right side elevation view thereof.
FIG. 7 is a top plan view thereof; and,
FIG. 8 is a bottom plan view thereof.

1 Claim, 8 Drawing Sheets



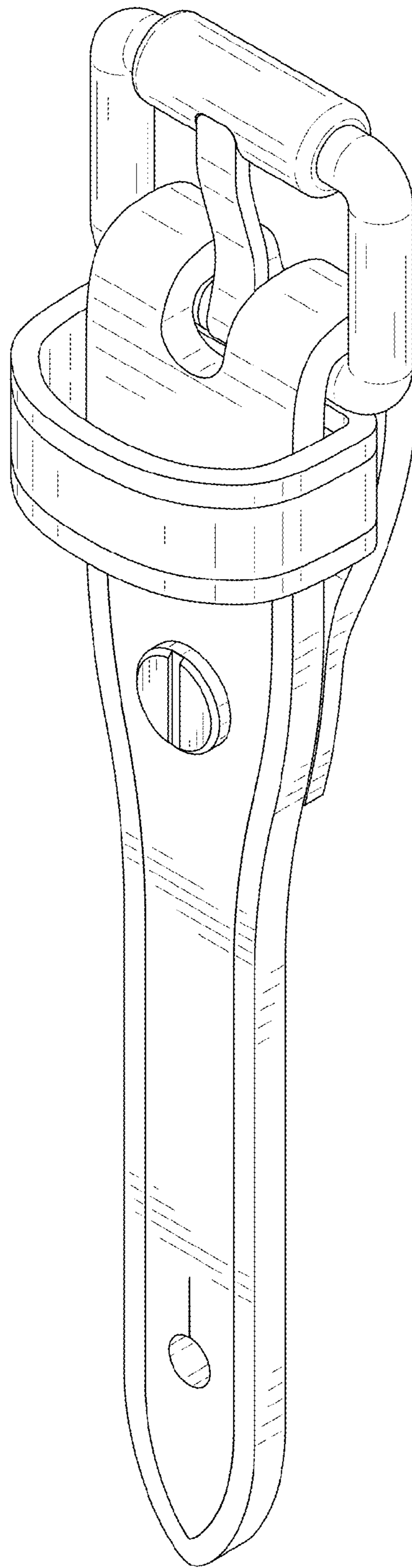


FIG. 1

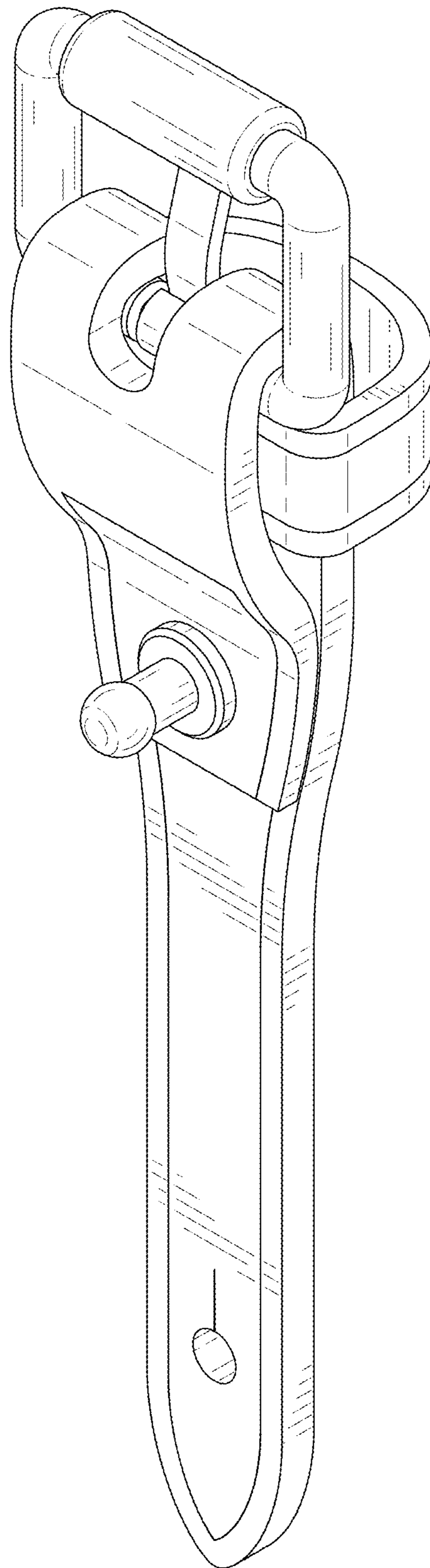


FIG. 2

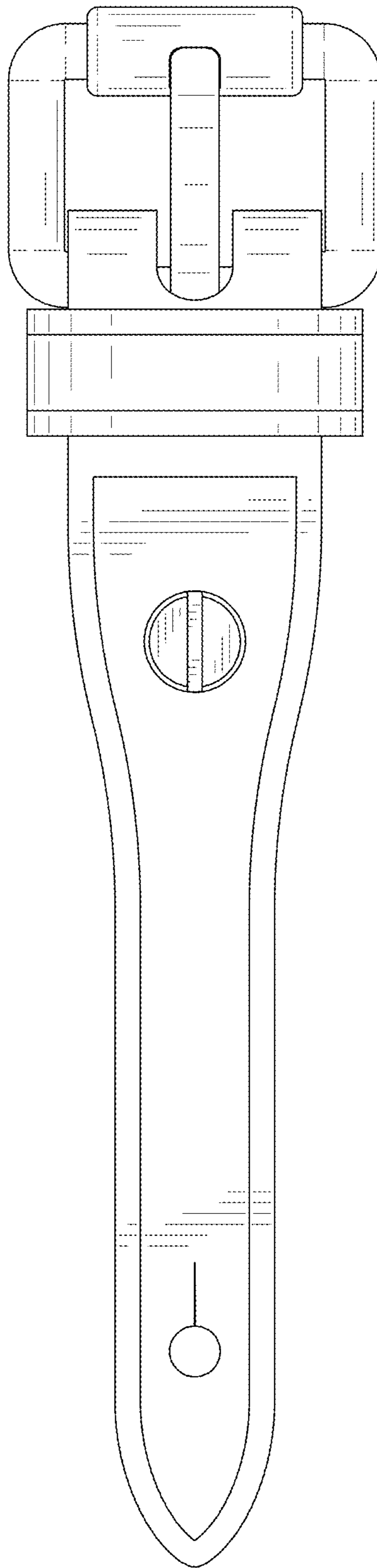


FIG. 3

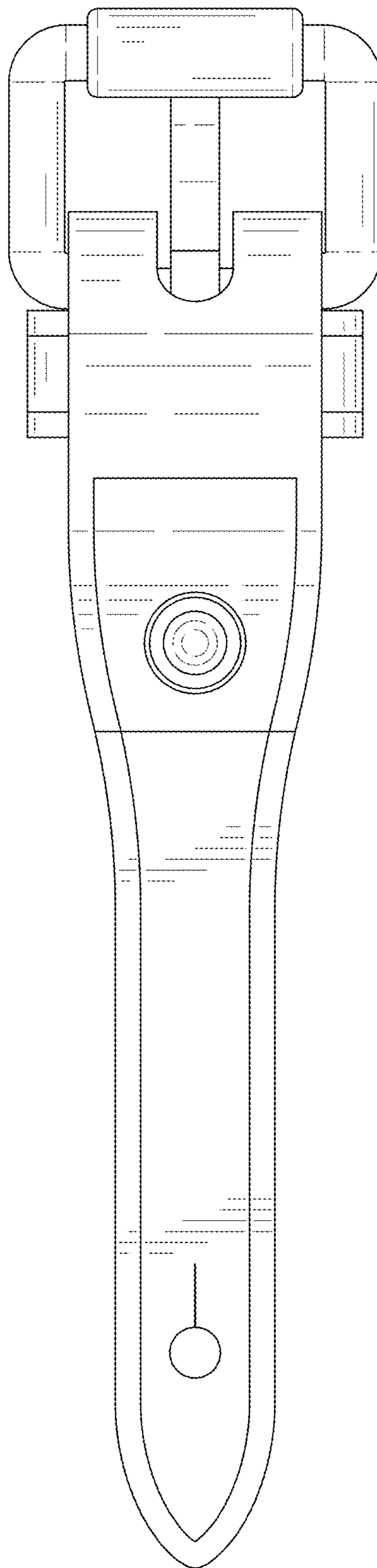


FIG. 4

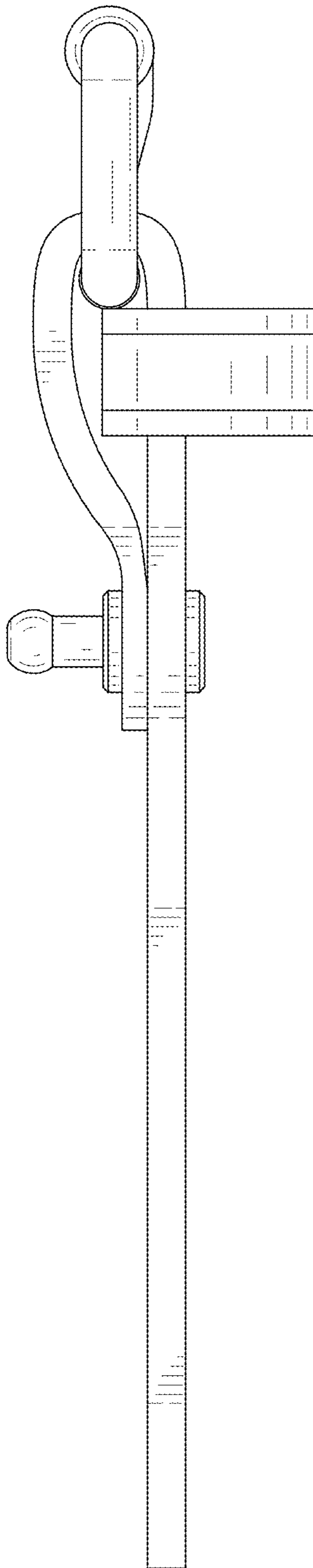


FIG. 5

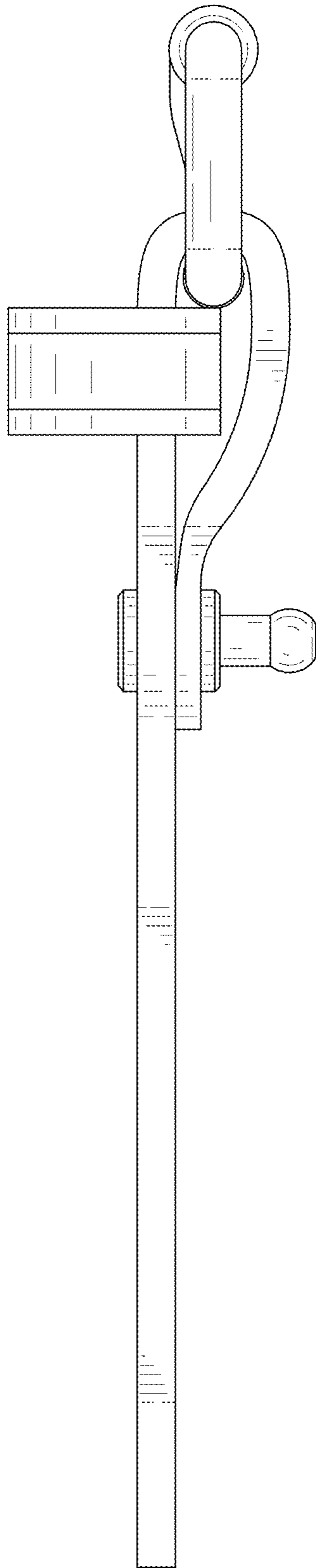


FIG. 6

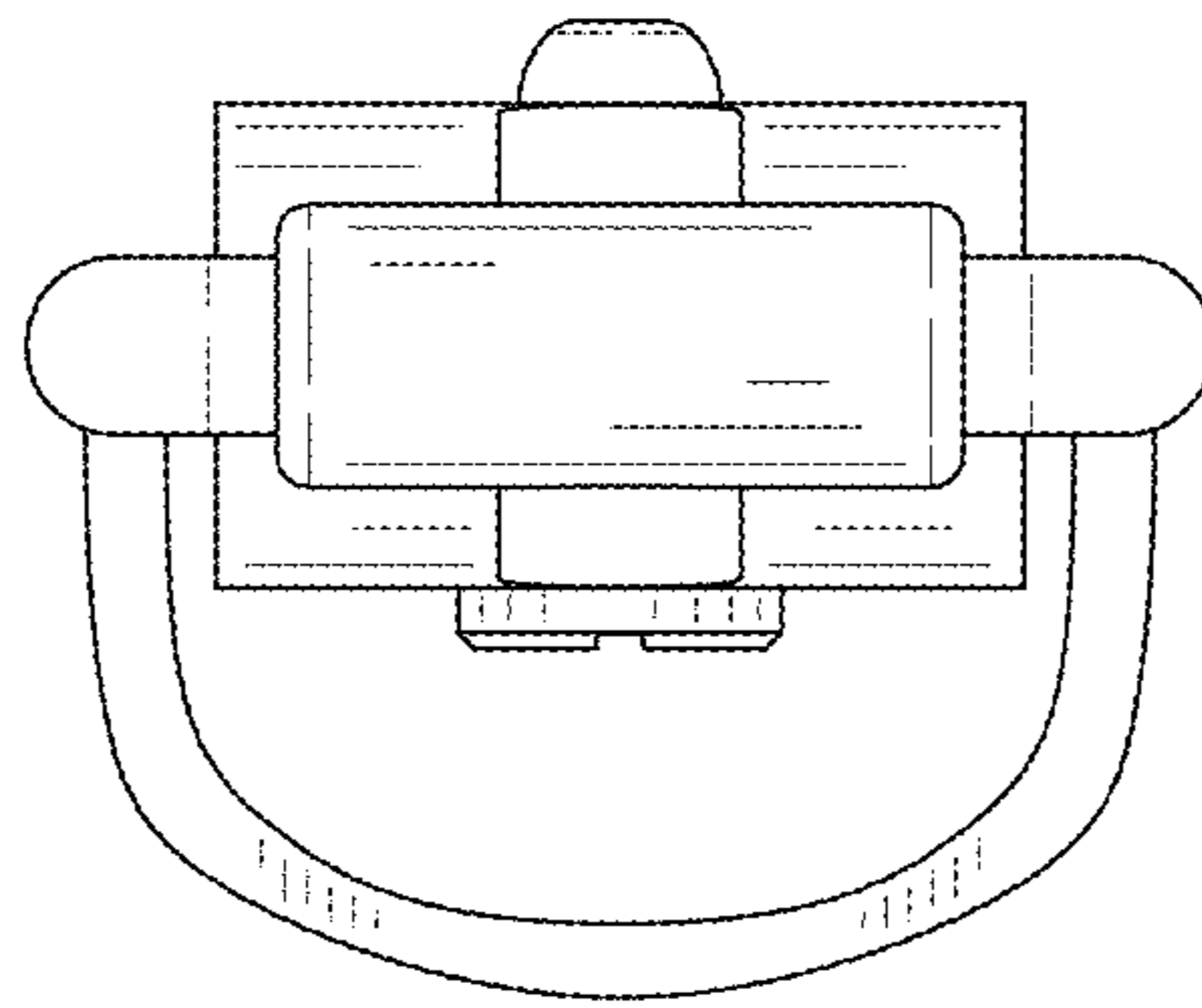


FIG. 7

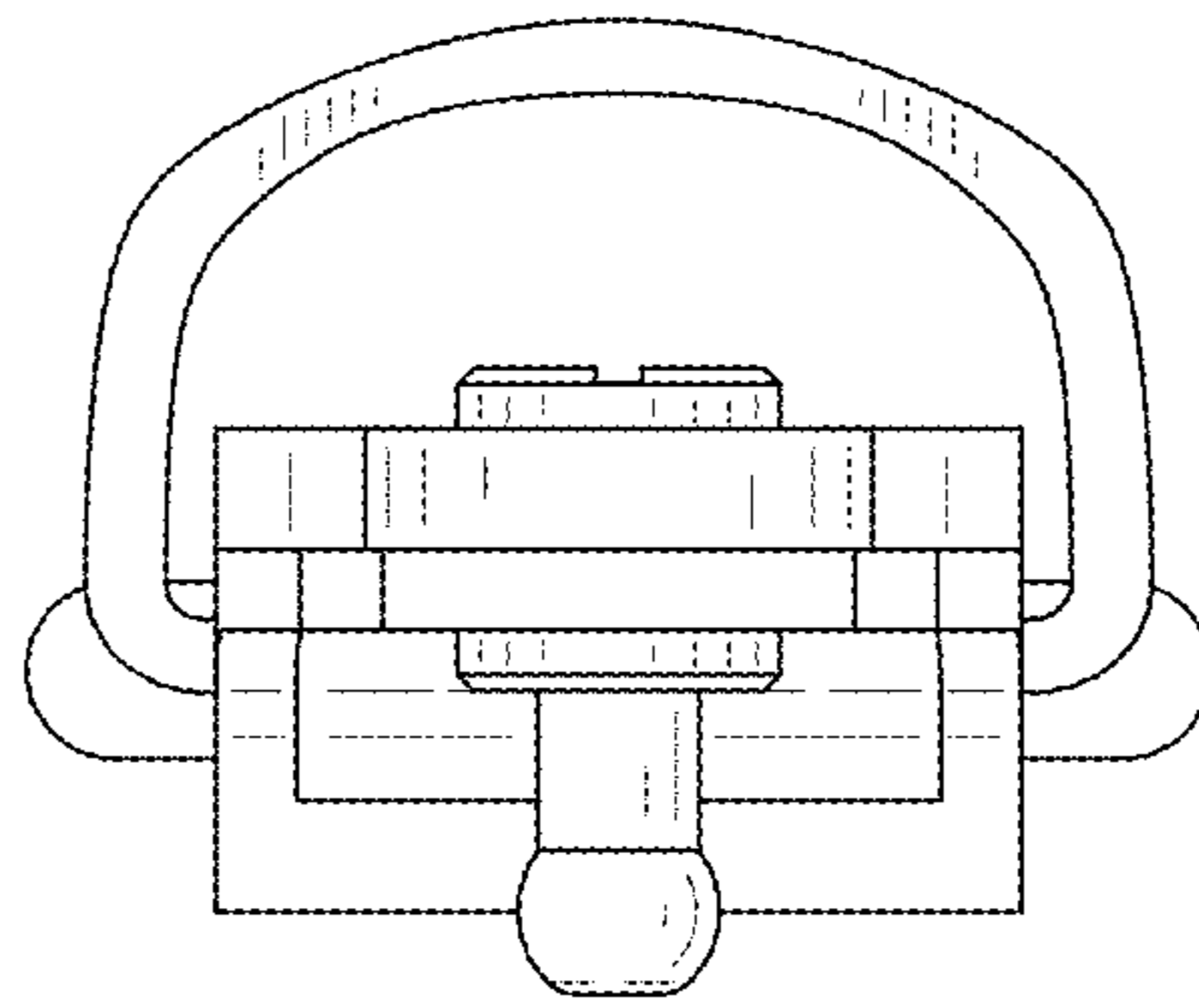


FIG. 8