



US00D957282S

(12) **United States Design Patent** (10) **Patent No.:** **US D957,282 S**
Surana (45) **Date of Patent:** **** Jul. 12, 2022**

(54) **SWING RING**

(71) Applicant: **Girishkumar Hirachand Surana,**
 Hunghom (HK)

(72) Inventor: **Girishkumar Hirachand Surana,**
 Hunghom (HK)

(73) Assignee: **Surana Brothers IP Holdings Limited,**
 Hunghom (HK)

D262,528 S * 1/1982 Carbino D11/27
 D291,664 S * 9/1987 Kelman D11/27
 D538,696 S * 3/2007 Azrielant D11/28
 D538,697 S * 3/2007 Azrielant D11/28
 D542,694 S * 5/2007 Schweizer D11/34
 D542,695 S * 5/2007 Schweizer D11/34
 D546,726 S * 7/2007 Azrielant D11/35
 D567,698 S * 4/2008 Gruosi-Scheufele D11/26
 D792,265 S * 7/2017 Morin D11/35
 D813,077 S * 3/2018 Noble A44C 17/0258
 D11/26
 2011/0056243 A1* 3/2011 Asscher A44C 9/0053
 29/896.41

(**) Term: **15 Years**

(Continued)

(21) Appl. No.: **29/685,940**

(22) Filed: **Apr. 1, 2019**

(30) **Foreign Application Priority Data**

Jan. 14, 2019 (HK) 1900087.4
 Jan. 29, 2019 (CN) 201930051346.8

(51) **LOC (13) Cl.** **11-01**

(52) **U.S. Cl.**
 USPC **D11/34**

(58) **Field of Classification Search**

USPC D11/1, 3, 4, 26-39, 91, 92
 CPC A44C 9/00; A44C 9/0007; A44C 9/0014;
 A44C 9/0023; A44C 9/003; A44C
 9/0038; A44C 9/0046; A44C 9/0053;
 A44C 9/0061; A44C 9/0069; A44C
 9/0076; A44C 9/0084; A44C 9/0092;
 A44C 9/02; A44C 17/0258; A44C
 17/0266; A44C 17/0275; A44C 17/0283;
 A44C 17/02; A44C 17/0208; A44C
 17/0216; A44C 17/0225; A44C 17/0233;
 A44C 17/0241; A44C 17/025; A44C
 17/0288; A44C 17/0291; A44C 1/00;
 A44C 3/00

See application file for complete search history.

(56) **References Cited**

U.S. PATENT DOCUMENTS

D254,537 S * 3/1980 Abelson D11/27
 D257,018 S * 9/1980 Barr D11/27

OTHER PUBLICATIONS

[Online] "925 sterling silver Teufel Motion Ring Round desing
 Dancing spinning spinner rotatable ring" [https://www.ecrater.com/
 p/19465074/925-sterling-silver-teufel-motion-ring](https://www.ecrater.com/p/19465074/925-sterling-silver-teufel-motion-ring). Retrieved Mar.
 11, 2022.*

Primary Examiner — Melanie Pellegrini
 (74) *Attorney, Agent, or Firm* — Minta Law Group LC;
 Veronica-Adele R. Cao

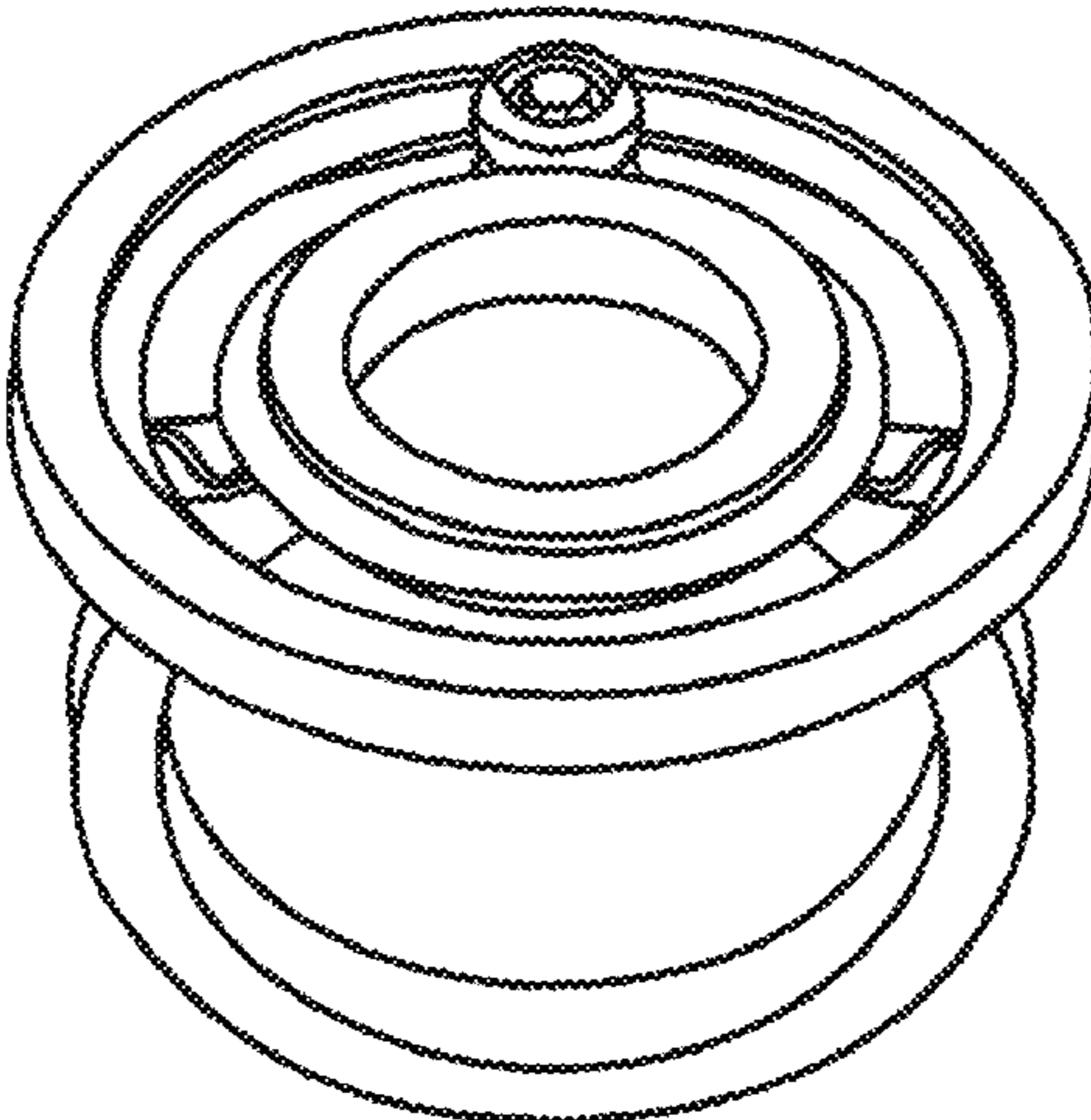
(57) **CLAIM**

The ornamental design for a swing ring, as shown and described.

DESCRIPTION

FIG. 1 is a top view of a swing ring, showing my new design;
 FIG. 2 is a bottom view thereof;
 FIG. 3 is a left side view thereof;
 FIG. 4 is a right side view thereof;
 FIG. 5 is a front view thereof;
 FIG. 6 is a rear view thereof;
 FIG. 7 is a top perspective view thereof; and,
 FIG. 8 is a bottom perspective view thereof.

1 Claim, 4 Drawing Sheets



(56)

References Cited

U.S. PATENT DOCUMENTS

2014/0345323 A1 * 11/2014 Sevikian A44C 17/025
63/15

* cited by examiner

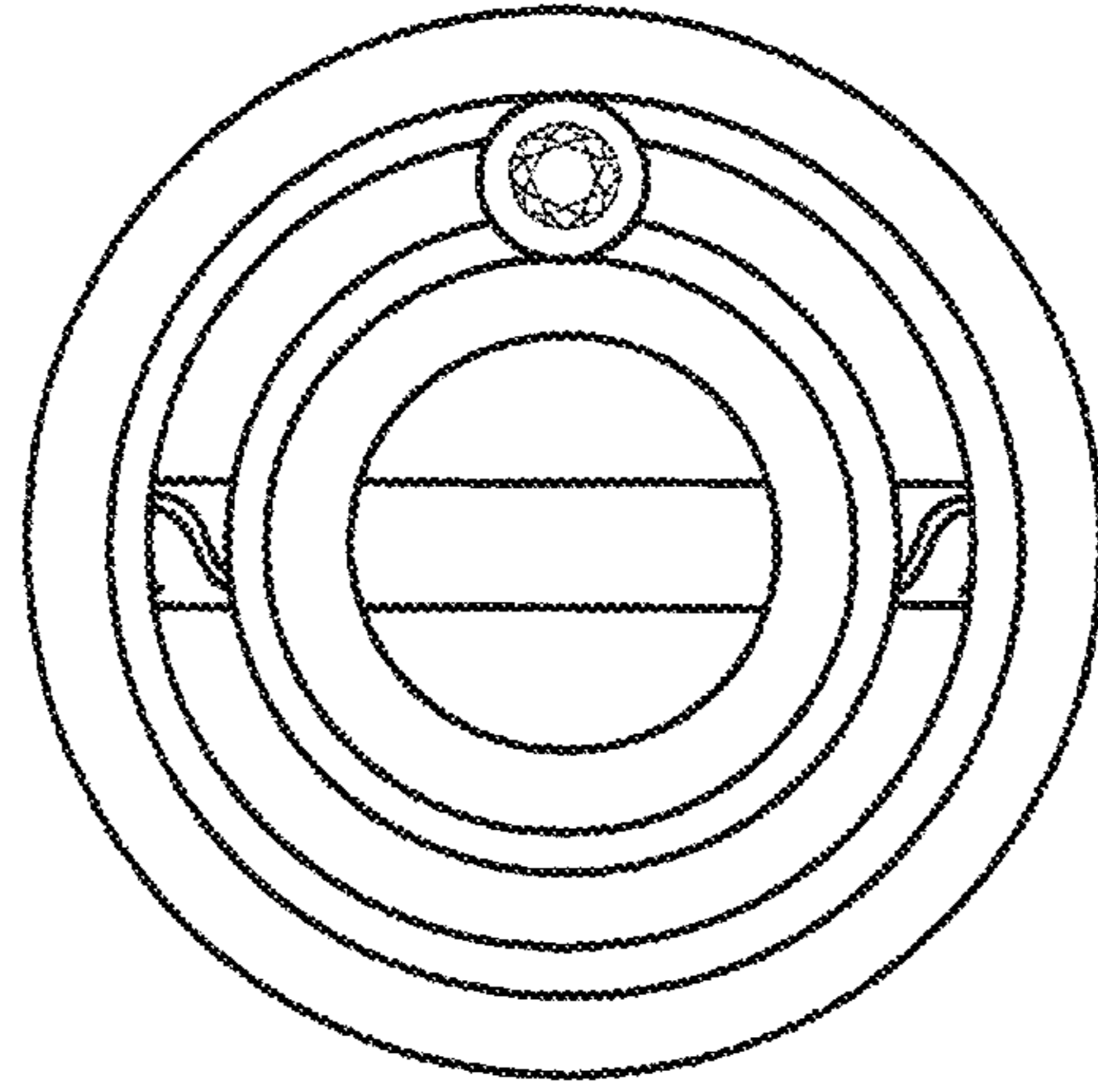


FIG. 1

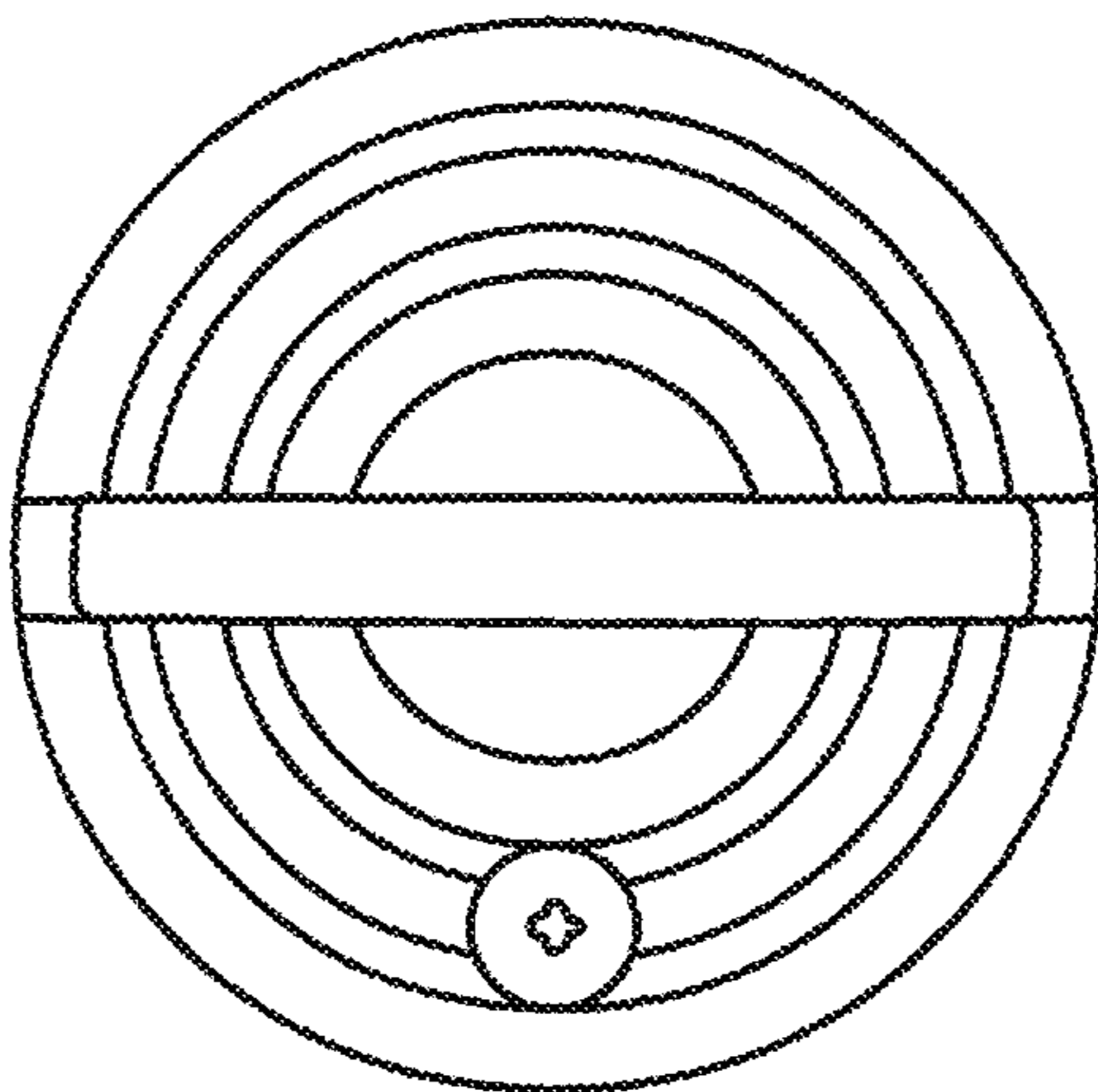


FIG. 2

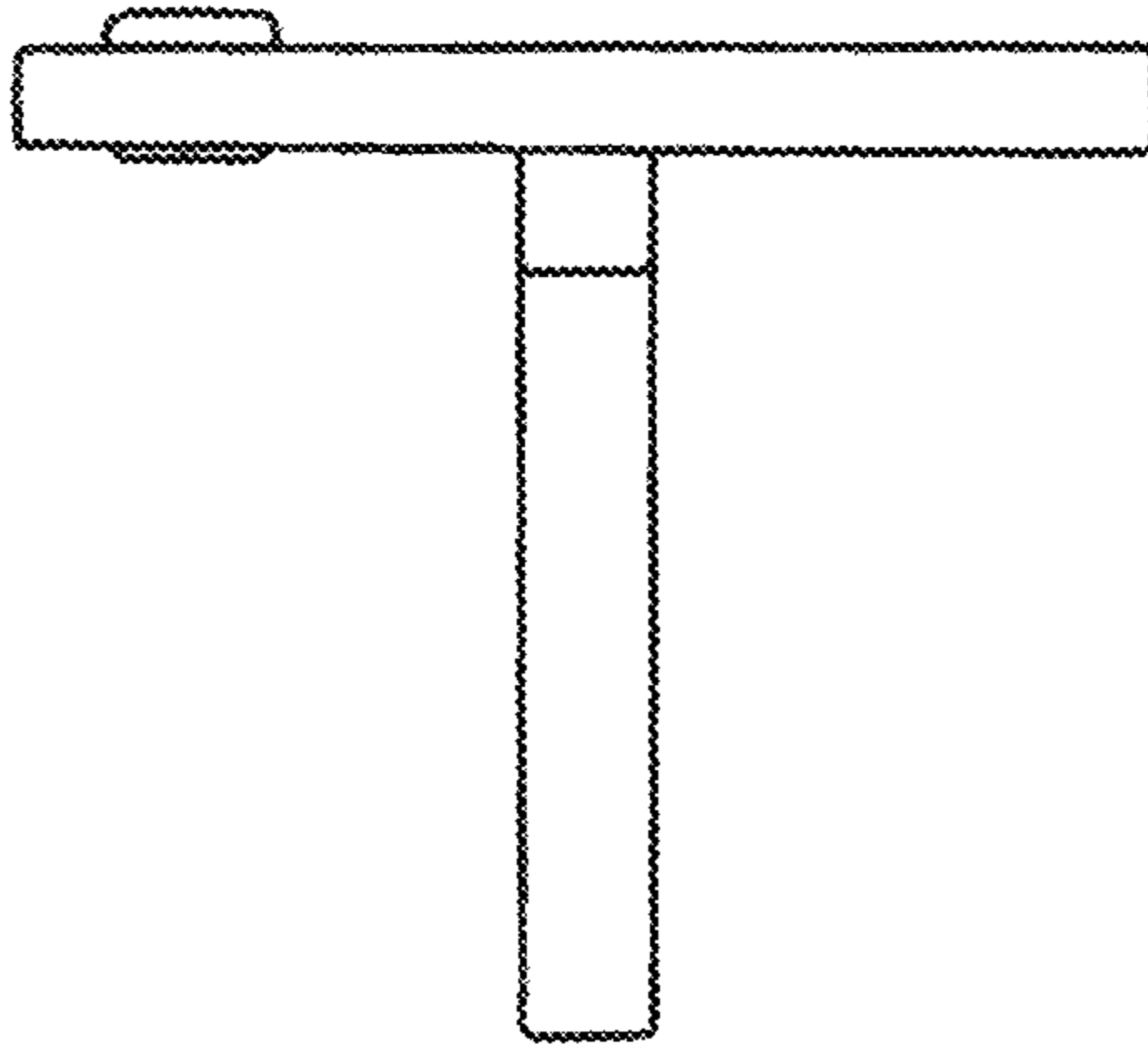


FIG. 3

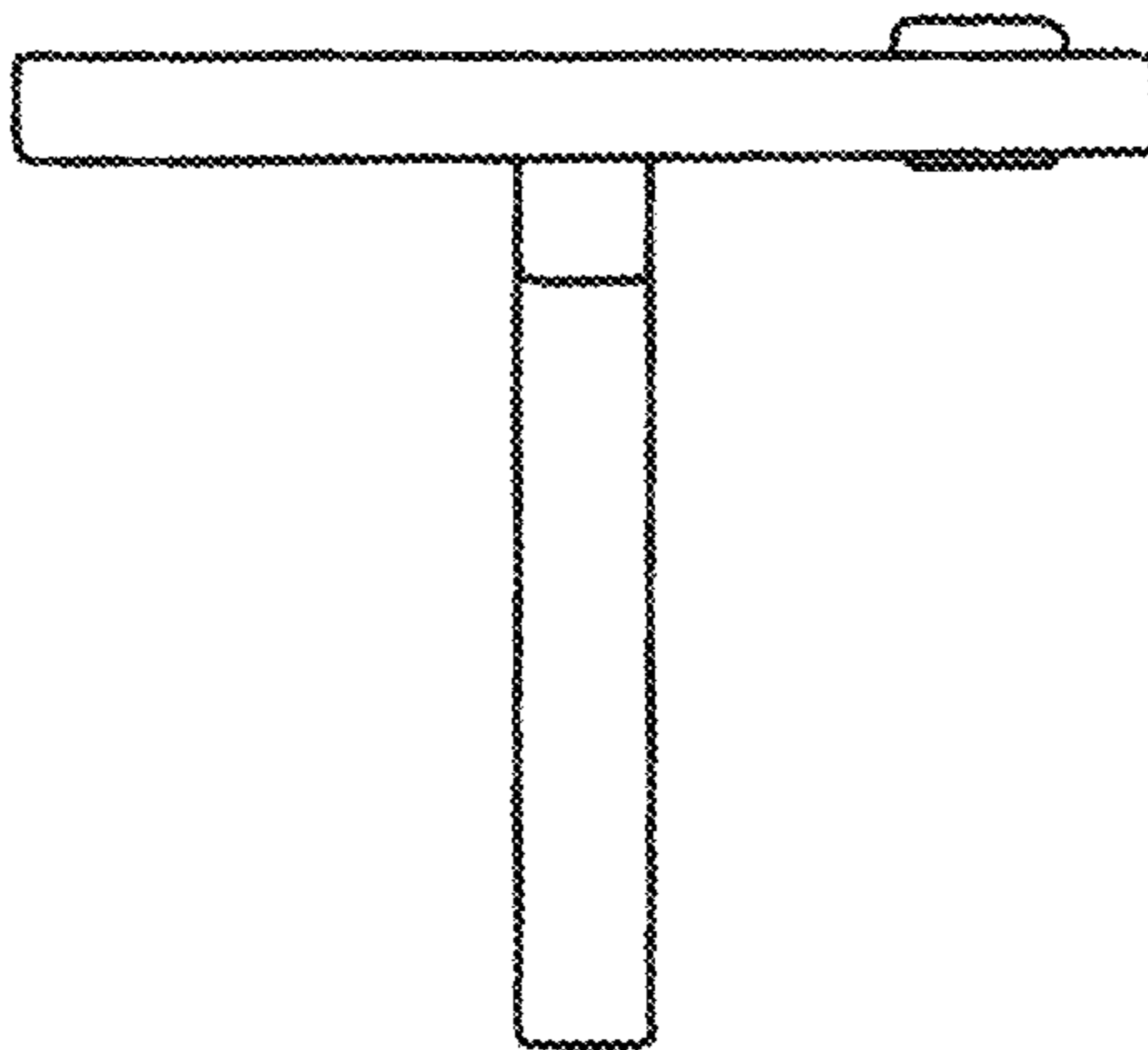


FIG. 4

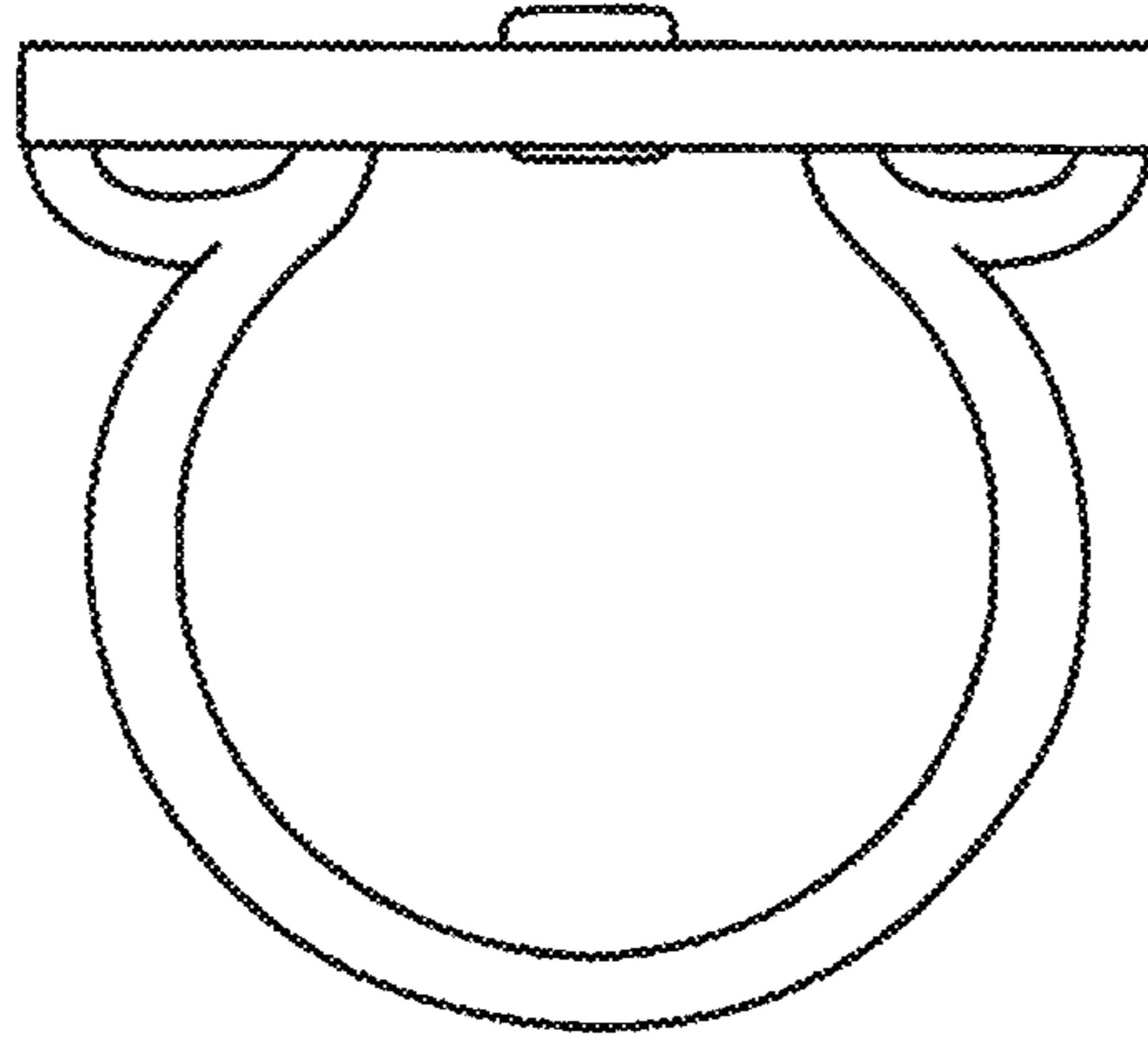


FIG. 5

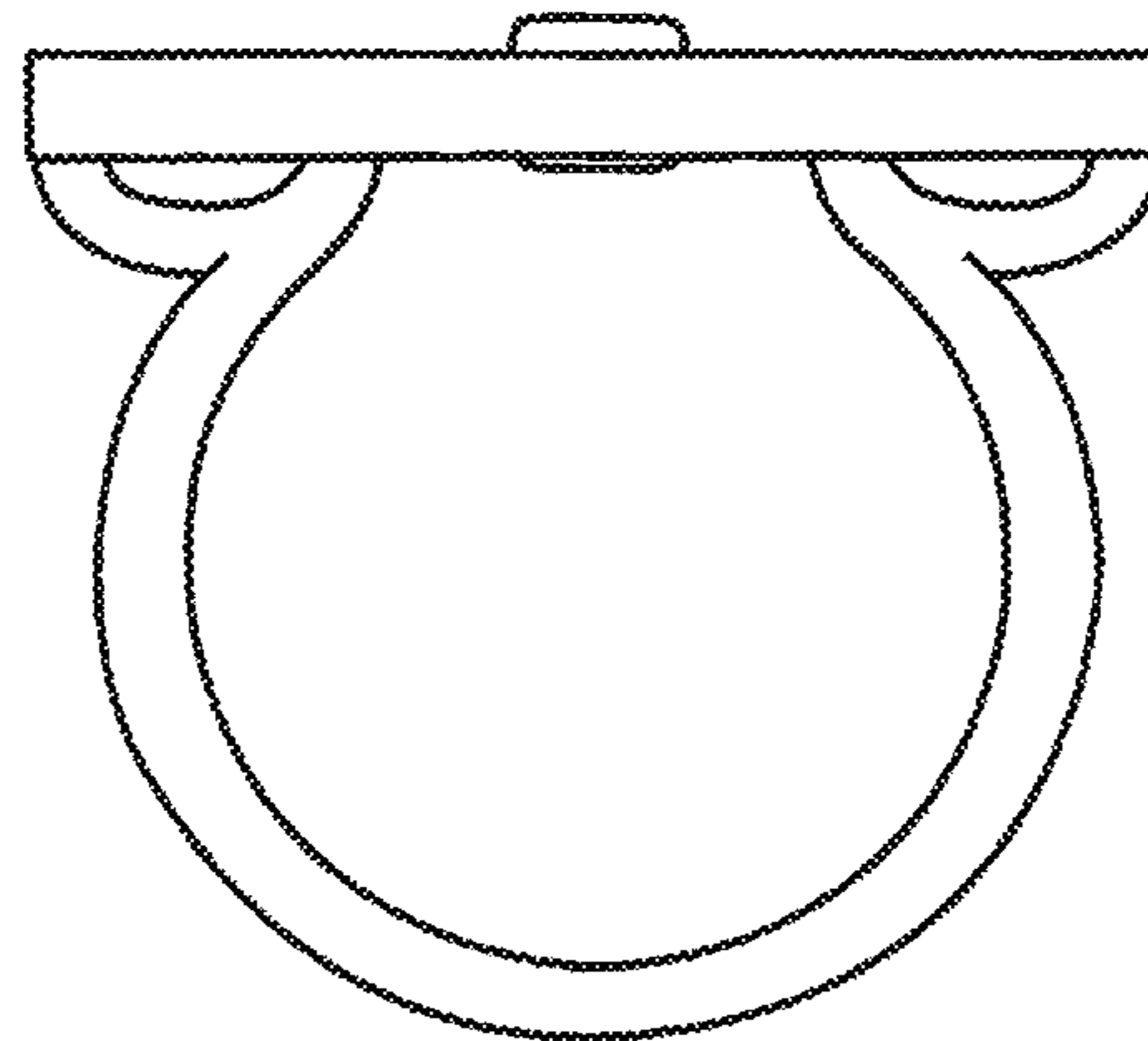


FIG. 6

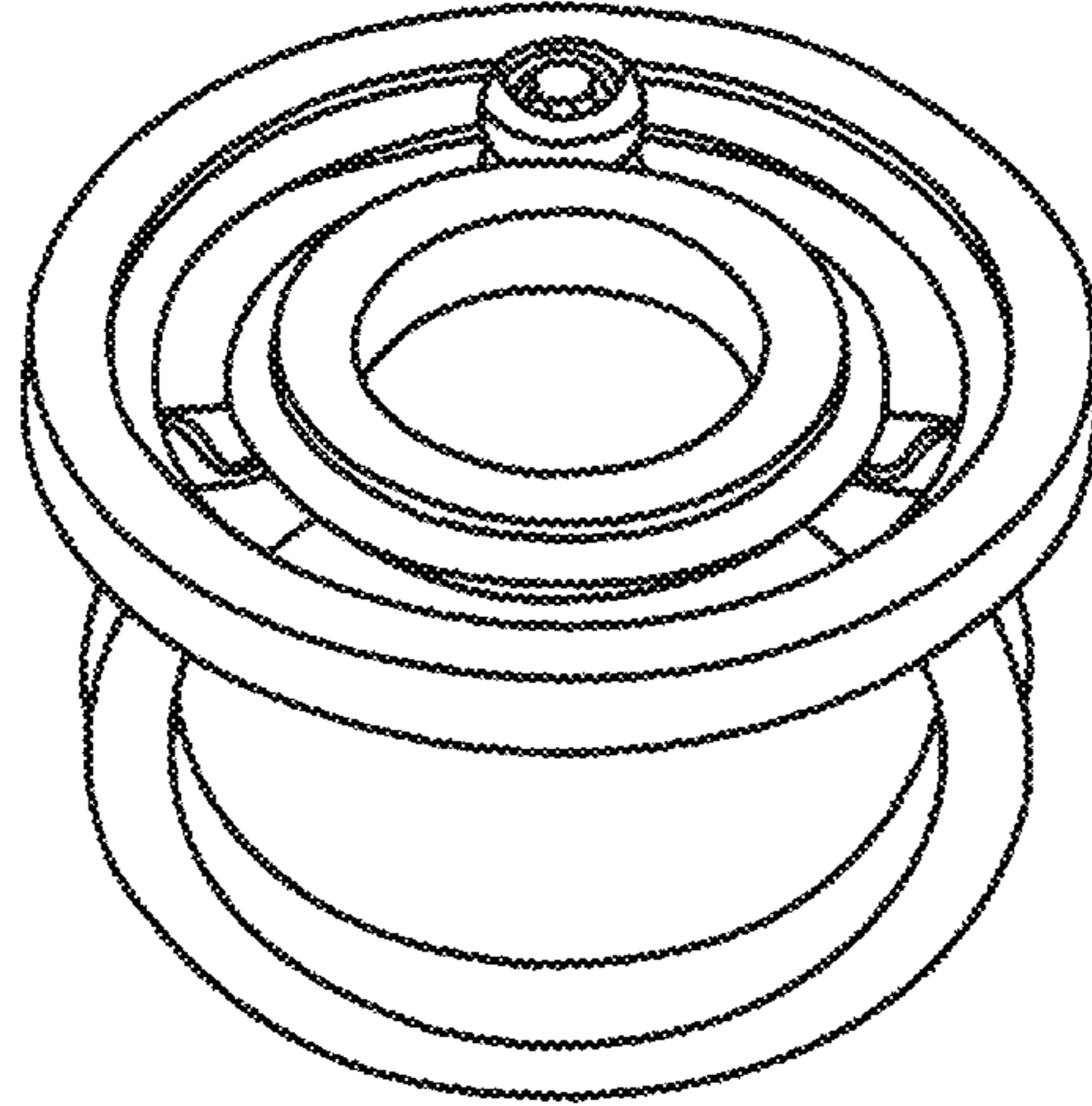


FIG. 7

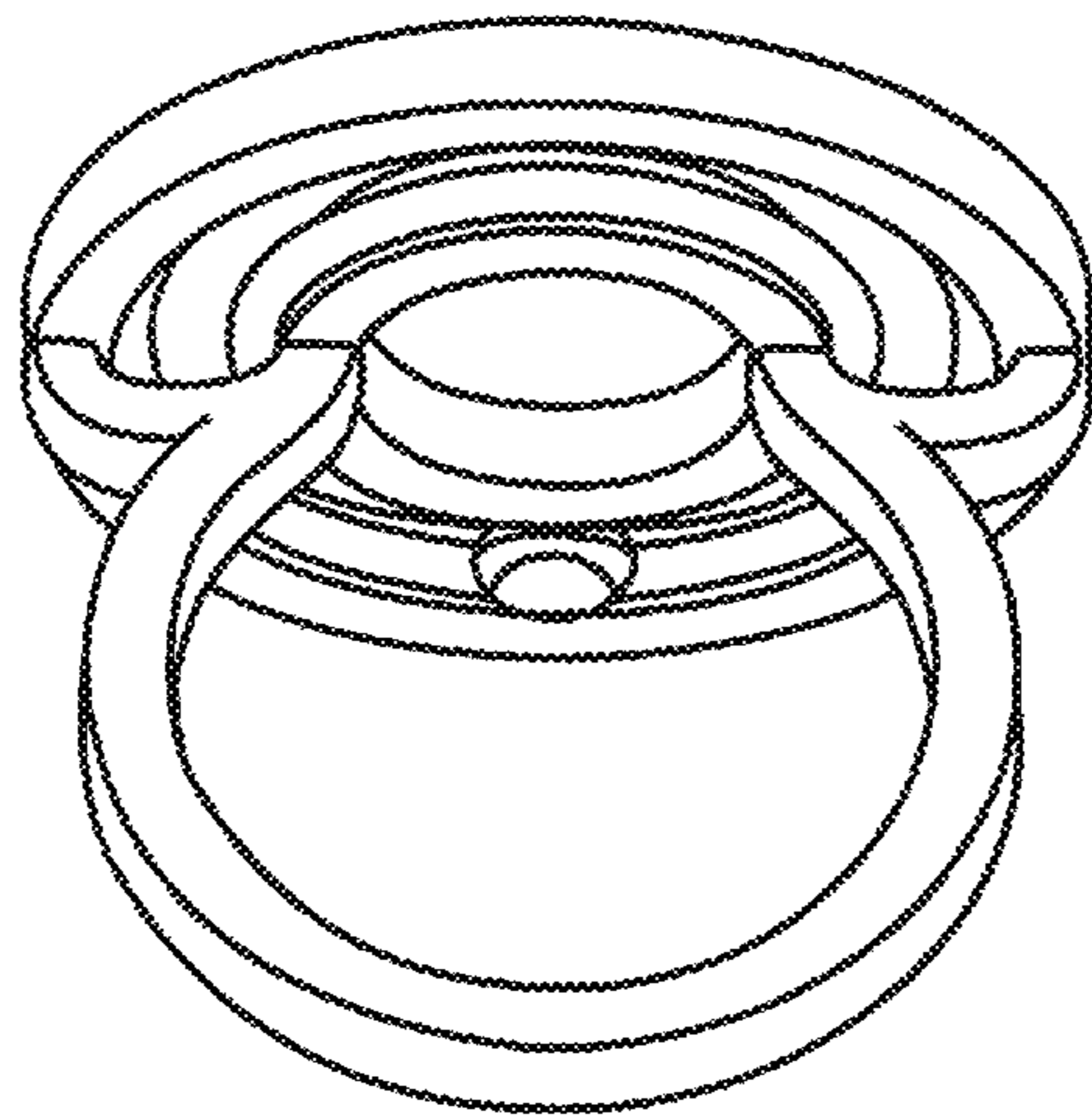


FIG. 8