

US00D957281S

(12) **United States Design Patent**
Huang

(10) **Patent No.:** **US D957,281 S**

(45) **Date of Patent:** **** Jul. 12, 2022**

(54) **WATCH STRAP**
(71) Applicant: **Wei Huang**, Shaoyang (CN)
(72) Inventor: **Wei Huang**, Shaoyang (CN)
(**) Term: **15 Years**
(21) Appl. No.: **29/800,568**

D735,586 S * 8/2015 Stegmann D10/38
D795,089 S * 8/2017 Wright D10/32
D799,344 S * 10/2017 Wright D10/30
(Continued)

FOREIGN PATENT DOCUMENTS

CN 202030013036.X * 1/2020
CN 112107092 A * 12/2020 A44C 5/00
(Continued)

(22) Filed: **Jul. 22, 2021**
(51) **LOC (13) Cl.** **10-07**
(52) **U.S. Cl.**
USPC **D10/132; D11/3**
(58) **Field of Classification Search**
USPC D10/30, 31, 32, 38, 39, 122, 128, 132;
D11/1, 2, 3, 4, 5, 6, 11, 12, 13, 200, 201
CPC G04B 37/14; A44C 5/00; A44C 5/0007;
A44C 5/0053; A44C 5/0061; A44C
5/0069; A44C 5/0084; A44C 5/18; A44C
5/185; A44C 5/208; A44C 5/2066; A44C
5/2052

See application file for complete search history.

OTHER PUBLICATIONS

Amazon, Shellbox Case Waterproof Apple Watch case, posted Oct. 12, 2019, [online], [visited May 11, 2022]. Internet, <URL: <https://www.amazon.co.uk/Waterproof-Silicone-Protector-Protective-Case-Black-42-mm/dp/B07Z2356WQ/ref?th=1>> (Year: 2019).*
(Continued)

Primary Examiner — Samantha Wood

(57) **CLAIM**

The ornamental design for a watch strap, as shown and described.

DESCRIPTION

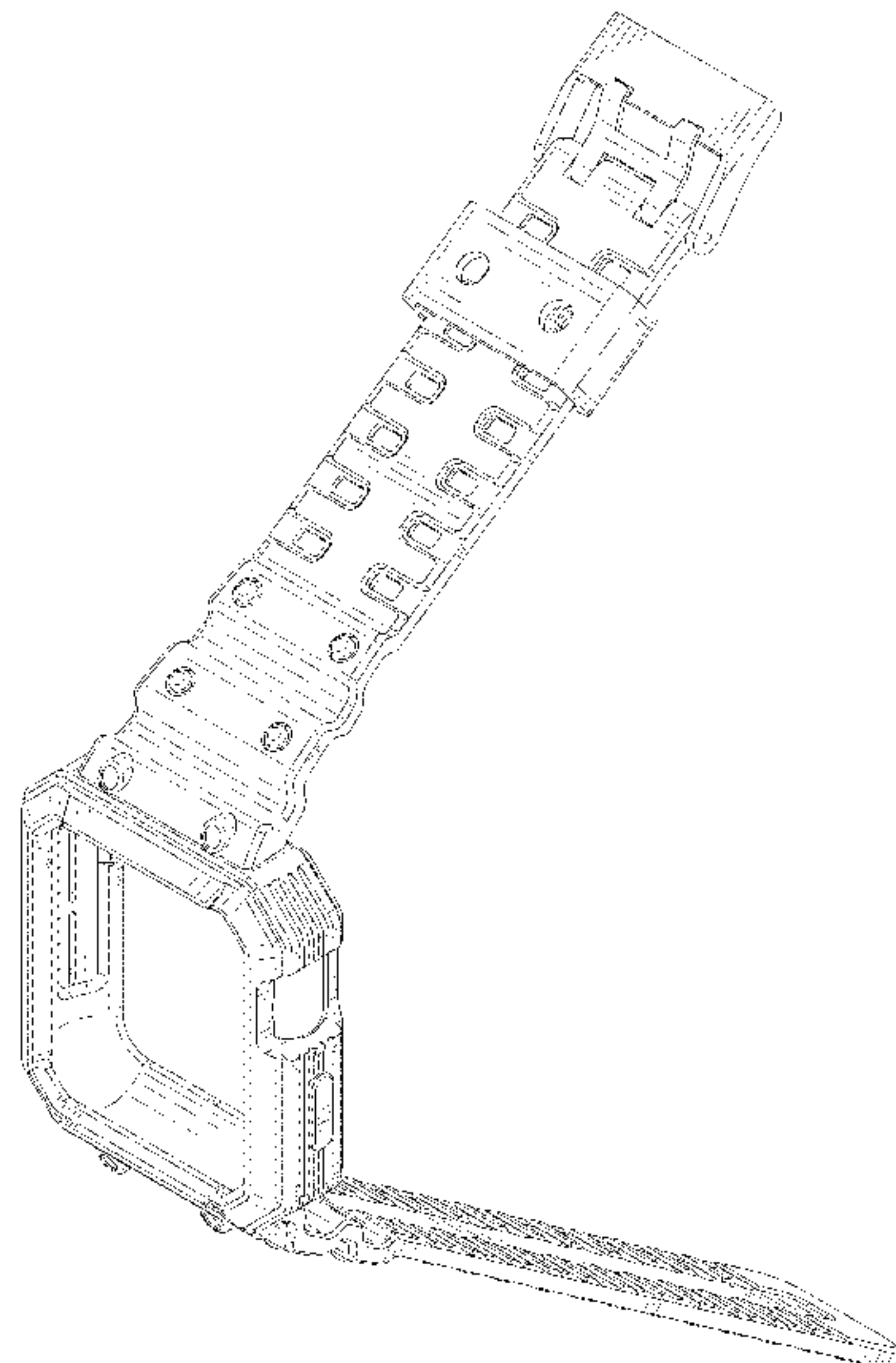
(56) **References Cited**

U.S. PATENT DOCUMENTS

4,706,857 A * 11/1987 Aellen A44C 5/14
63/3
D328,878 S * 8/1992 Tse D11/4
D330,166 S * 10/1992 Park D10/38
D338,160 S * 8/1993 Houlihan D10/32
D350,289 S * 9/1994 Frazier D10/31
D439,172 S * 3/2001 Brzezinski D10/30
D466,033 S * 11/2002 Dubarry D10/32
D625,204 S * 10/2010 Kimura D10/32
D637,918 S * 5/2011 Cobbett D10/31
D638,736 S * 5/2011 Cobbett D11/3
D646,183 S * 10/2011 De Witt D10/38
D654,815 S * 2/2012 Kumano D10/32
D657,697 S * 4/2012 Lammers-Meis D10/38
D688,967 S * 9/2013 Wilson D10/128
D732,414 S * 6/2015 Cerrato D11/3

FIG. 1 is a perspective view of a watch strap showing my new design;
FIG. 2 is another perspective view thereof;
FIG. 3 is a front elevational view thereof;
FIG. 4 is a rear elevational view thereof;
FIG. 5 is a left side elevational view thereof;
FIG. 6 is a right side elevational view thereof;
FIG. 7 is a top plan view thereof;
FIG. 8 is a bottom plan view thereof;
FIG. 9 is a perspective view of the watch strap where the watch strap is in a first configuration of use; and,
FIG. 10 is a perspective view of the watch strap where the watch strap is in a second configuration of use.
The broken lines in the drawings depict portions of the watch strap that form no part of the claimed design.

1 Claim, 10 Drawing Sheets



(56)

References Cited

U.S. PATENT DOCUMENTS

D802,467 S 11/2017 Novak
 D813,074 S 3/2018 Bayley et al.
 D854,960 S * 7/2019 Yu D11/3
 D882,564 S * 4/2020 Jung D14/344
 D885,230 S * 5/2020 Kim D14/440
 D888,710 S * 6/2020 Yun D14/344
 D889,459 S * 7/2020 Zhang D14/344
 D895,471 S * 9/2020 Zhang D11/3
 D897,867 S * 10/2020 Wright D10/32
 D897,882 S * 10/2020 Yi D14/440
 D898,745 S * 10/2020 Ye D14/440
 D918,059 S * 5/2021 Wang D14/344
 D920,147 S * 5/2021 Liu D14/440
 D932,321 S * 10/2021 Jung D14/440
 D933,497 S * 10/2021 Panneer Selvam D14/344
 D949,711 S * 4/2022 Huang D10/32
 D951,124 S * 5/2022 Deng D10/32
 2007/0163393 A1 * 7/2007 Ondeck G04B 47/00
 81/3.55

FOREIGN PATENT DOCUMENTS

CN 112315140 A * 2/2021 A44C 5/00
 CN 212437585 U * 2/2021
 DE 202019101820 U1 * 6/2019

OTHER PUBLICATIONS

Amazon, Digihero Strap Compatible with Apple Watch, posted Oct. 26, 2021, [online], [visited May 11, 2022]. Internet, <URL: <https://www.amazon.co.uk/dp/B09KBXWGJ6/ref?th=1>> (Year: 2021).*

Amazon, Spigen Rugged Armor Pro Design for Apple Watch, posted Sep. 28, 2018, [online], [visited May 11, 2022]. Internet, <URL: <https://www.amazon.co.uk/Spigen-Unibody-Absorption-Resistant-062CS25324/dp/B07HSSDV4S/ref?th=1>> (Year: 2018).*

* cited by examiner

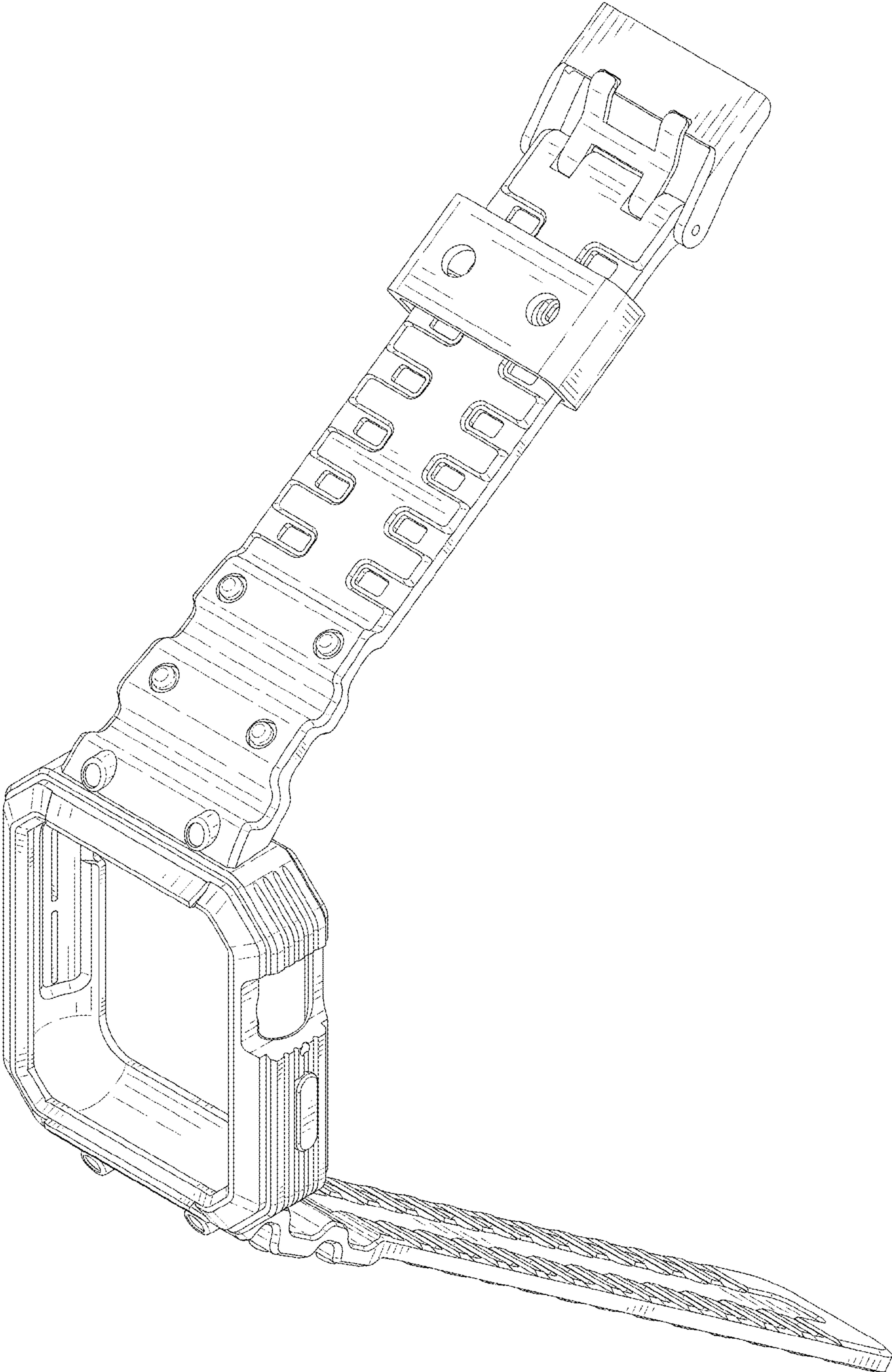


FIG. 1

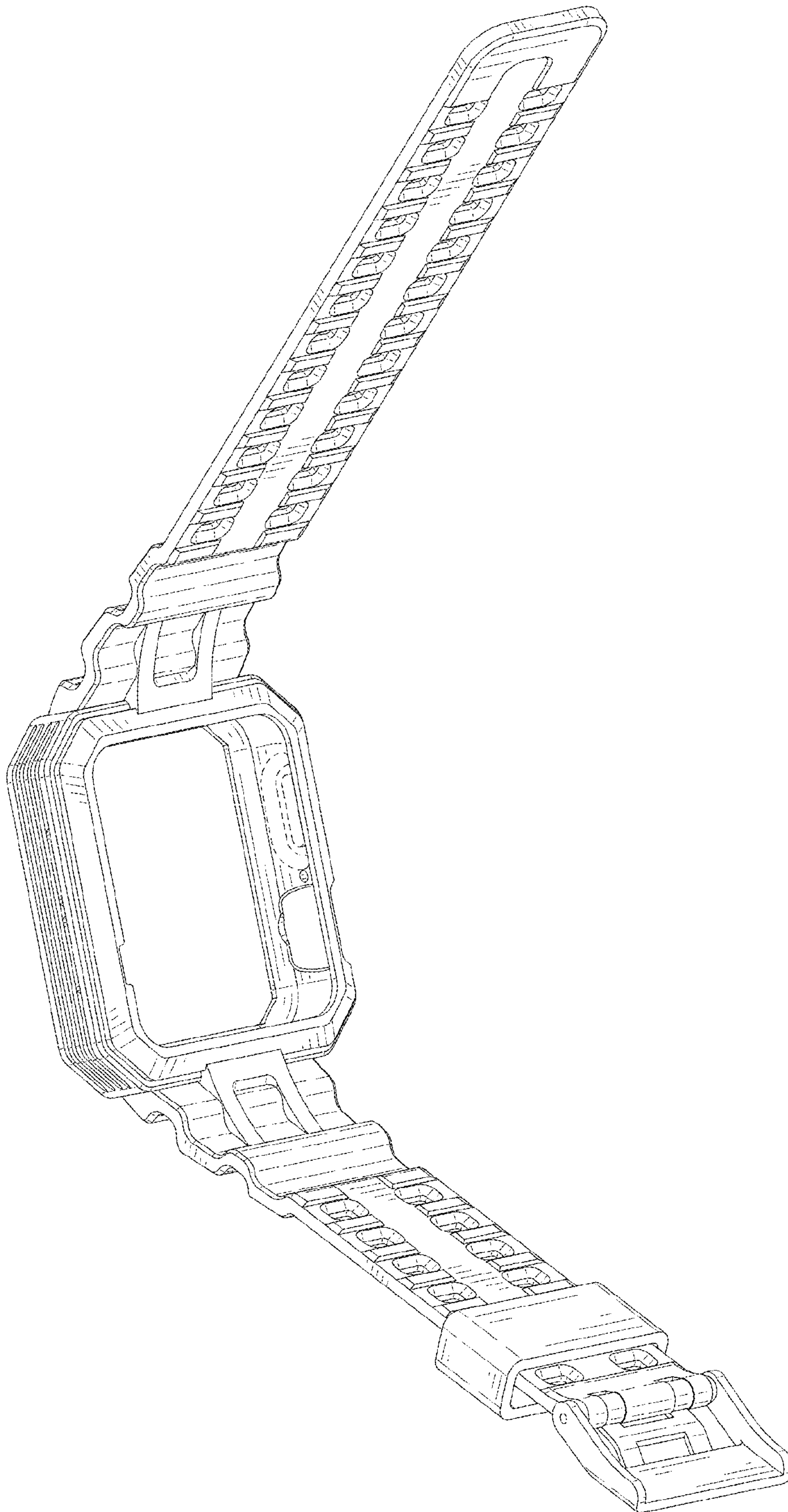


FIG. 2

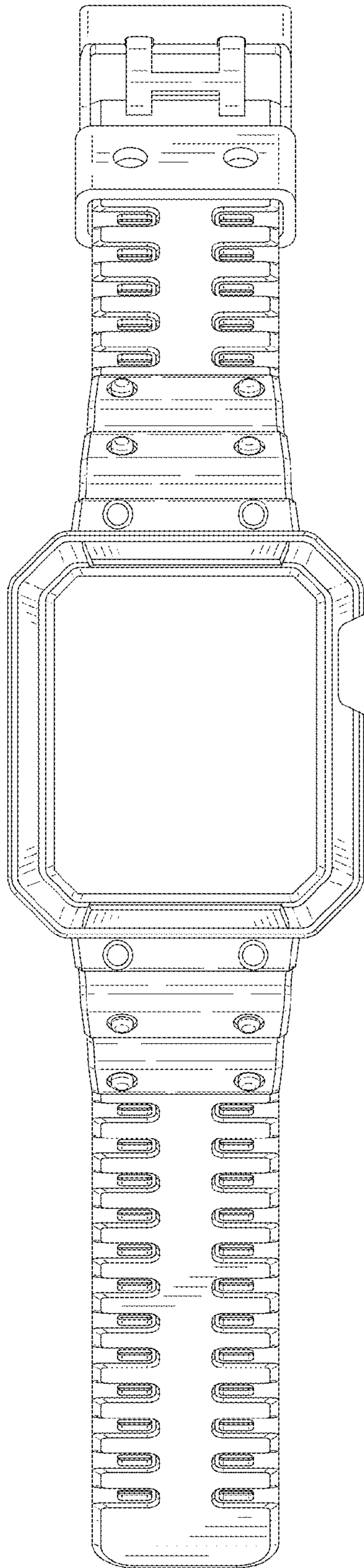


FIG. 3

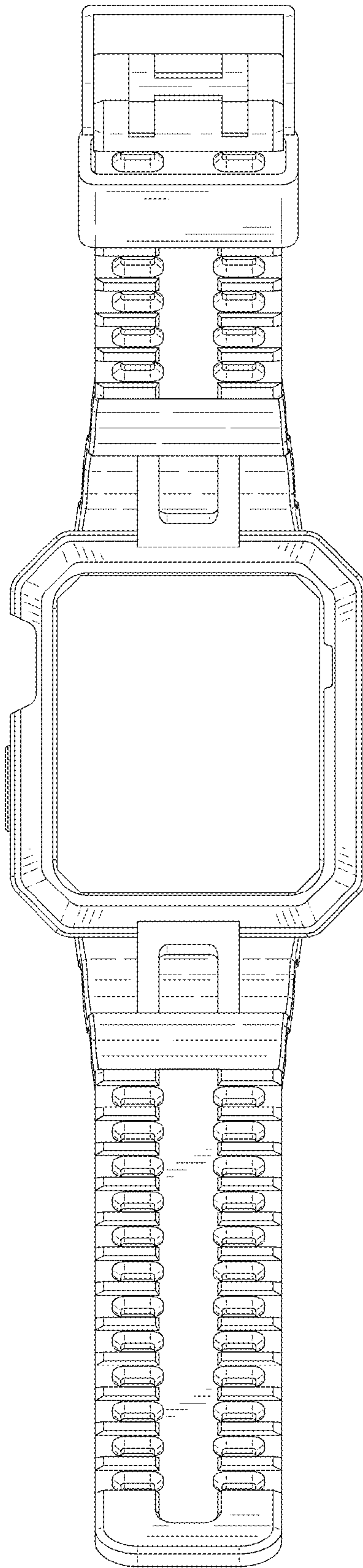


FIG. 4

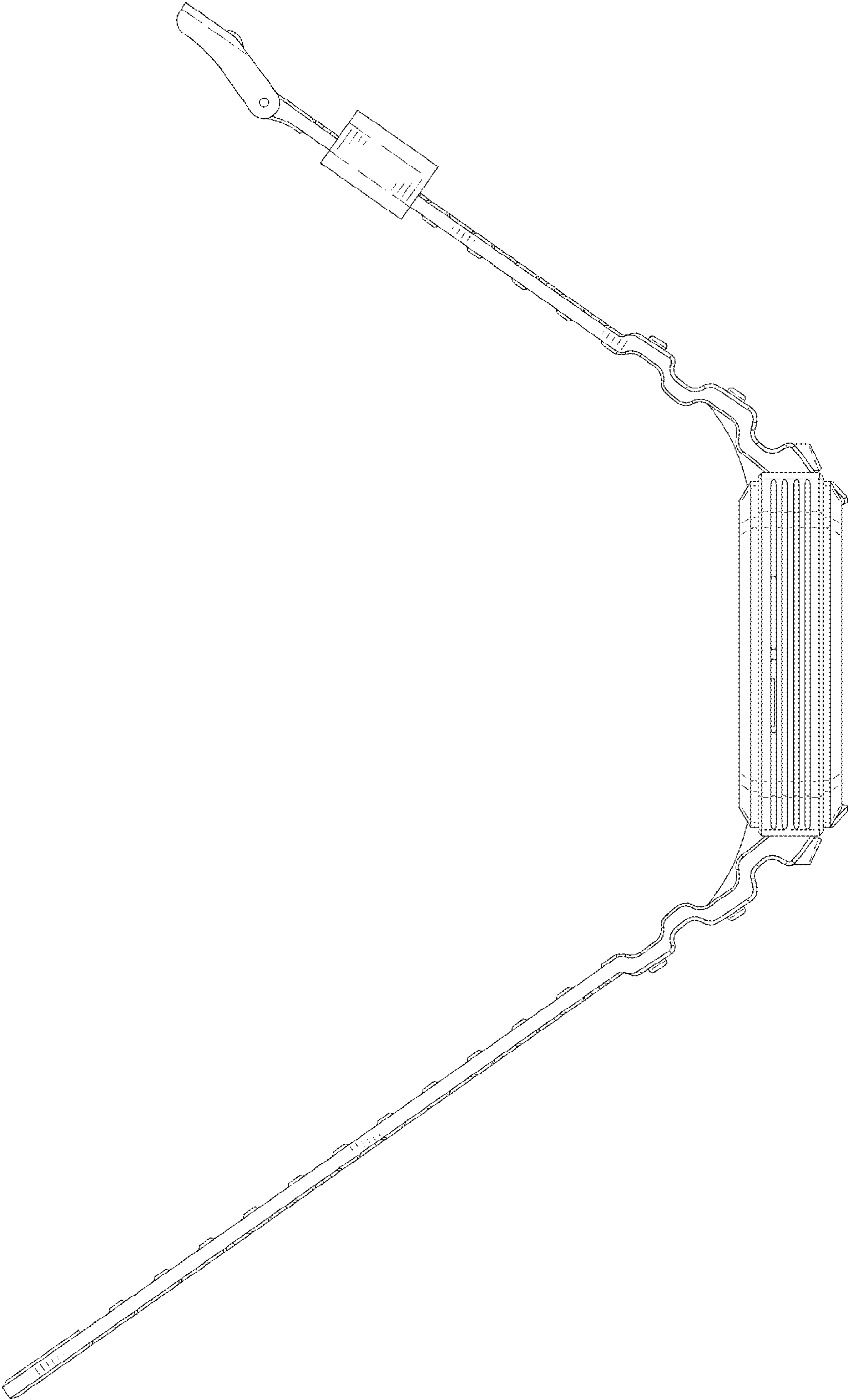


FIG. 5

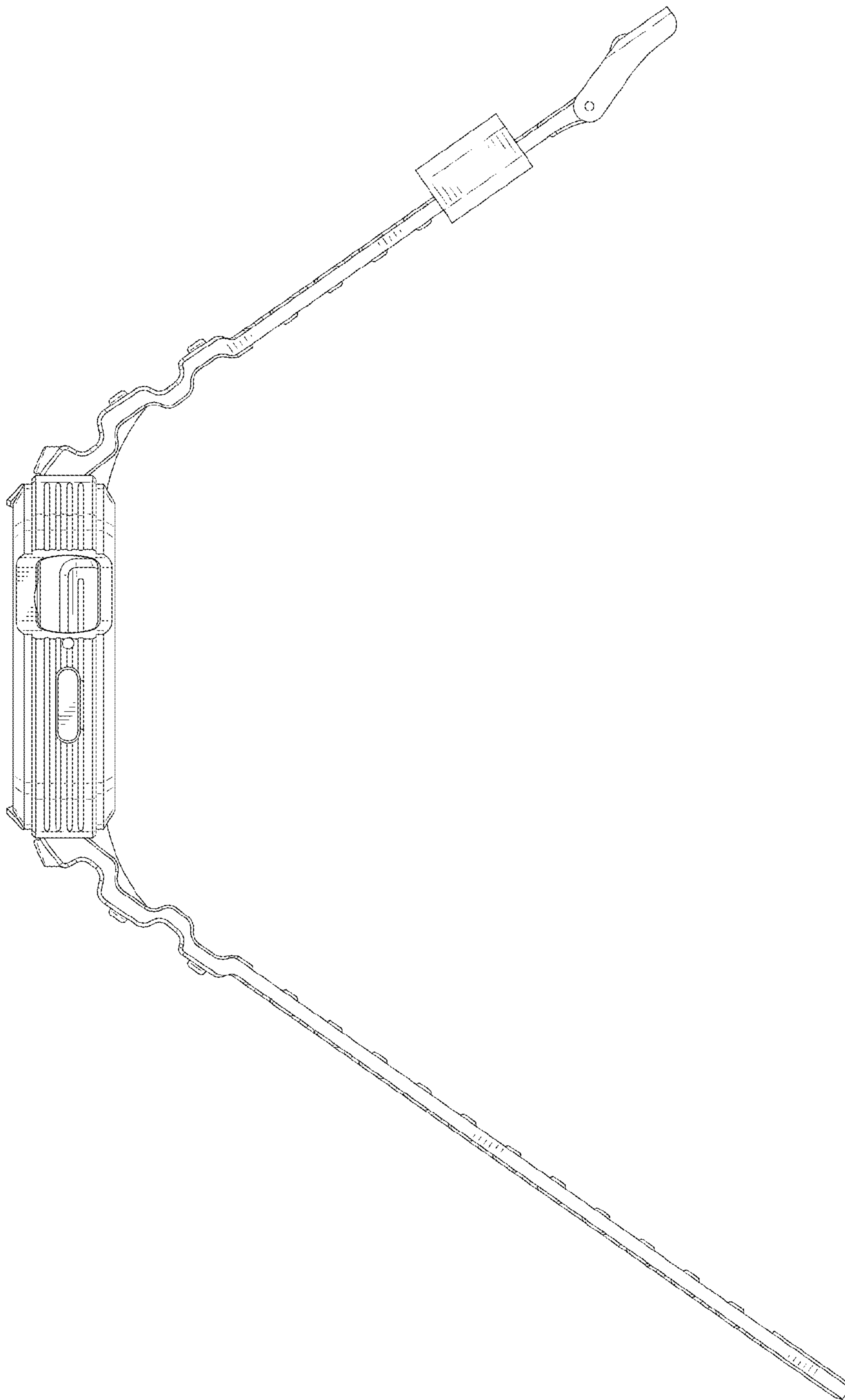


FIG. 6

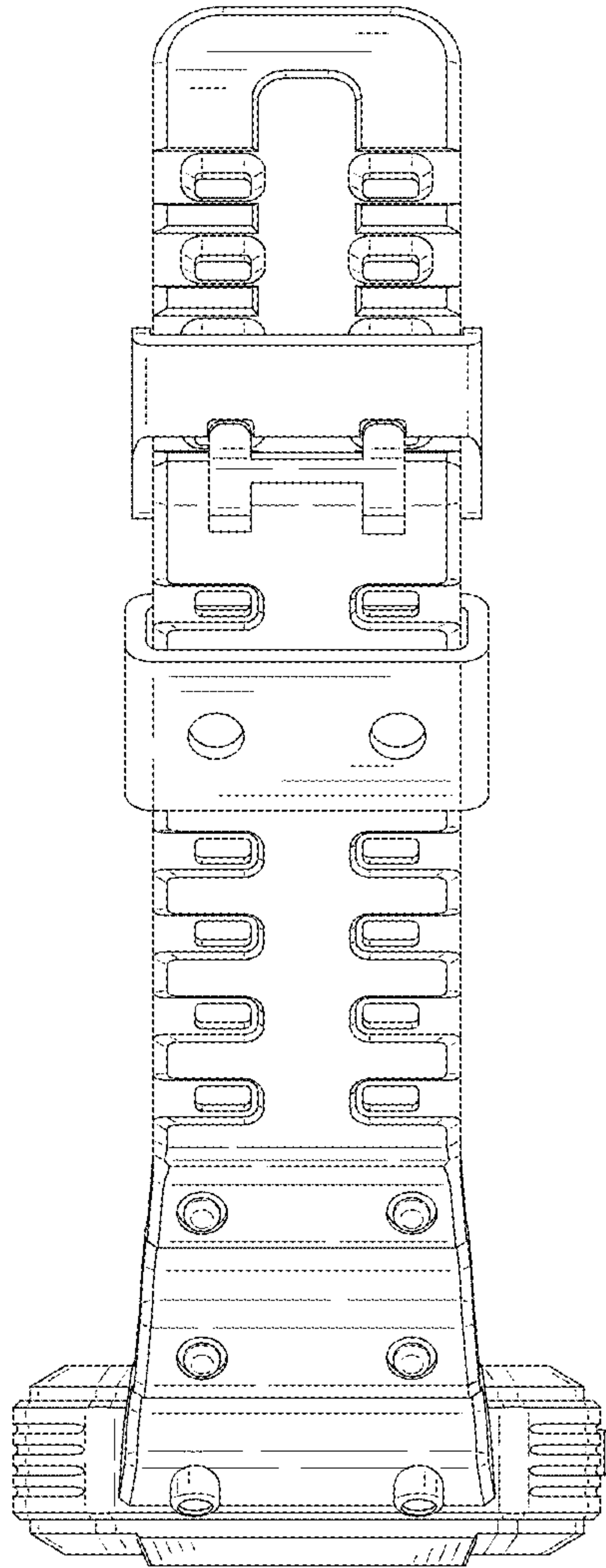


FIG. 7

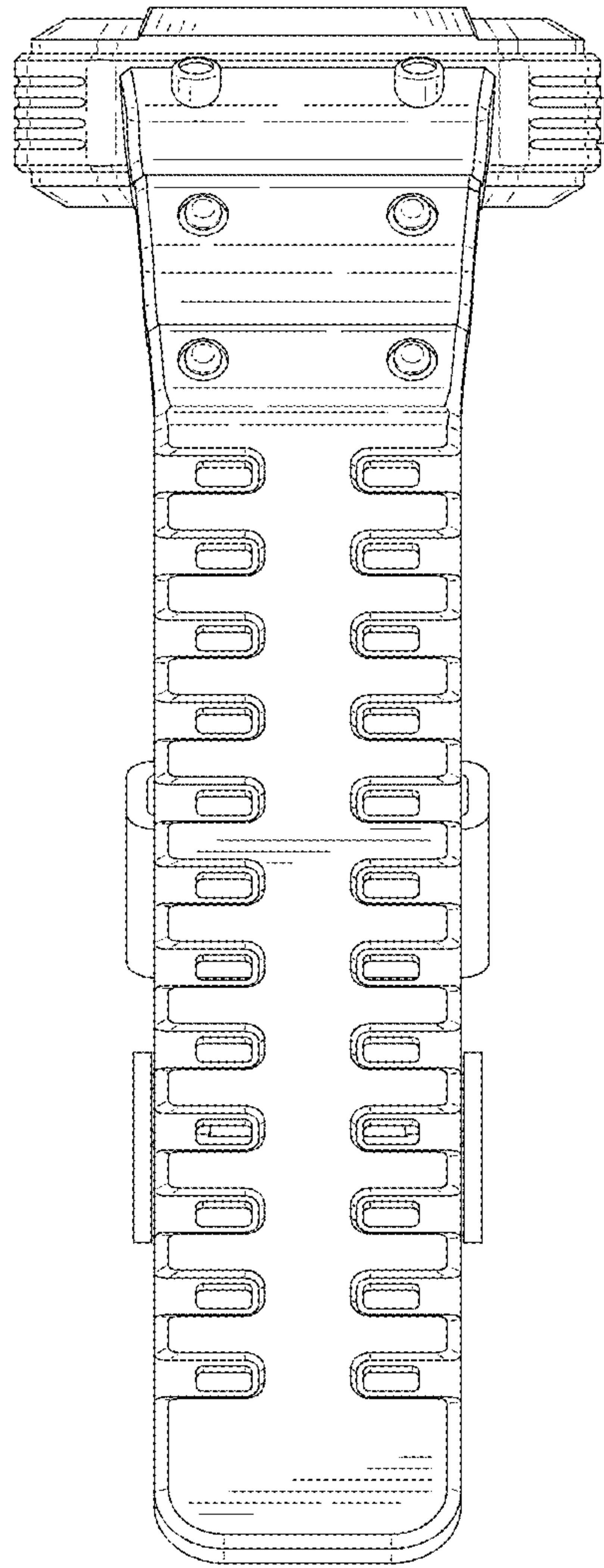


FIG. 8

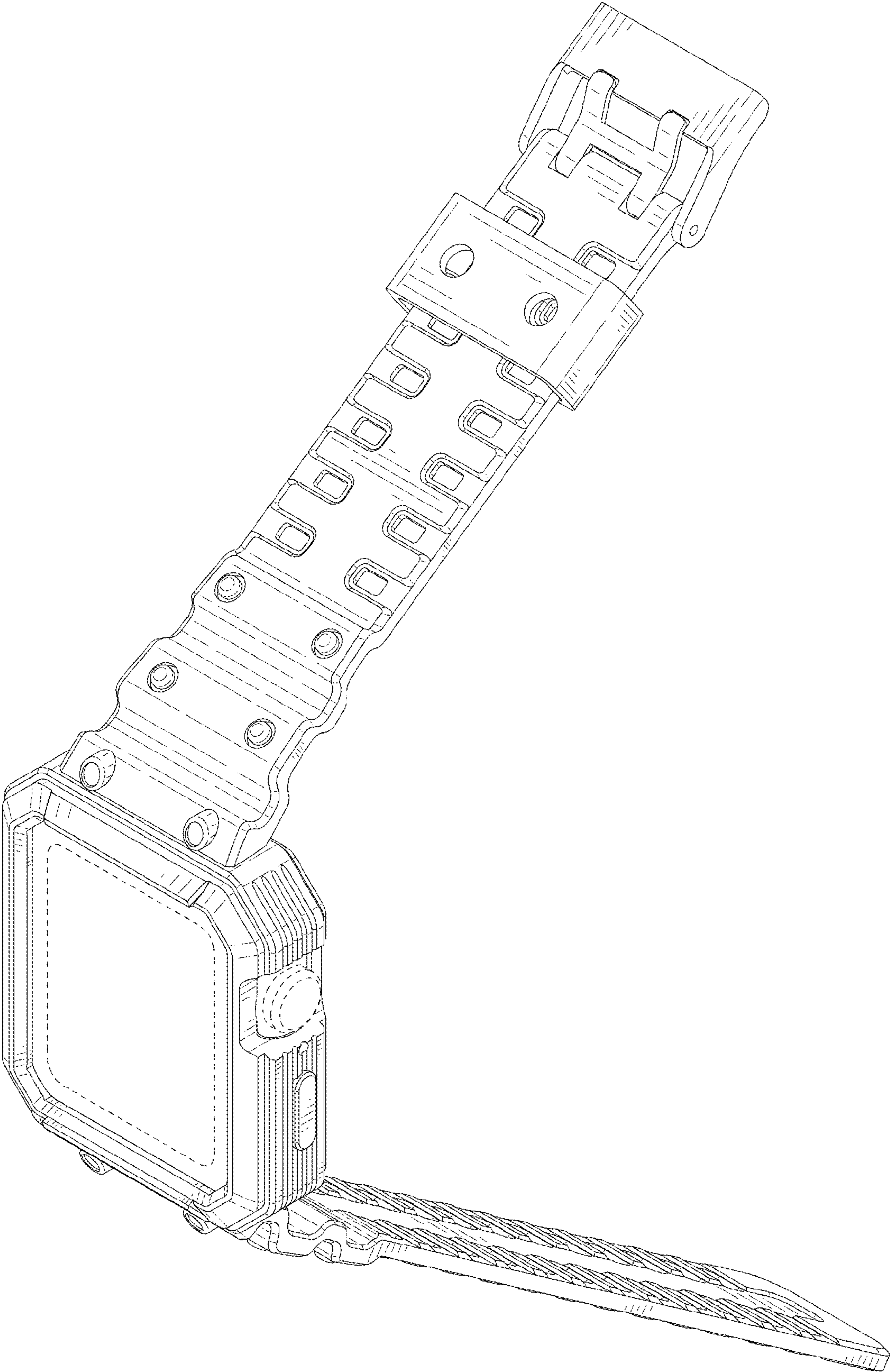


FIG. 9

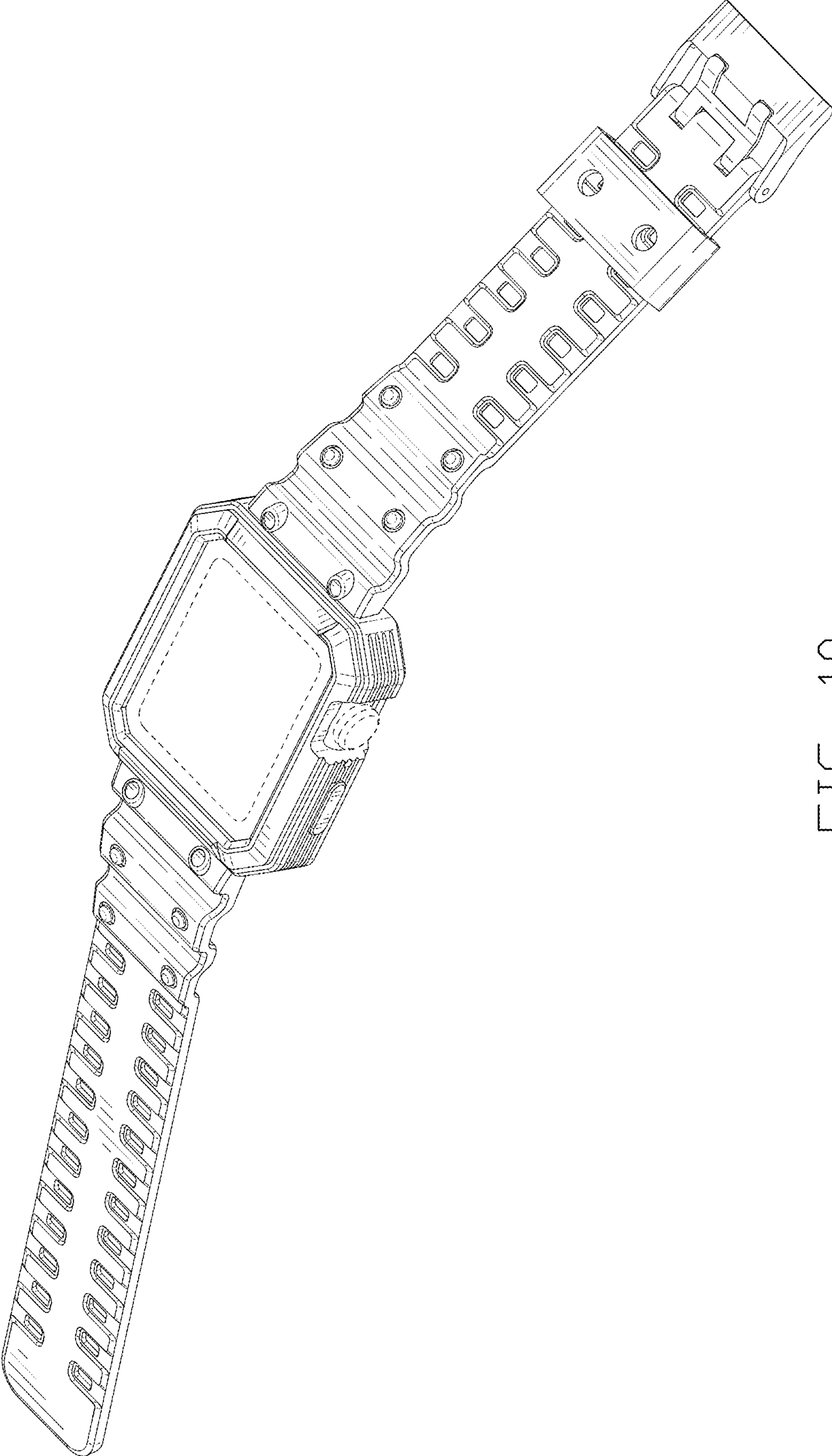


FIG. 10