



US00D957280S

(12) **United States Design Patent**
England et al.

(10) **Patent No.:** **US D957,280 S**
(45) **Date of Patent:** **** Jul. 12, 2022**

- (54) **DOORBELL**
- (71) Applicant: **Amazon Technologies, Inc.**, Seattle, WA (US)
- (72) Inventors: **Matthew J. England**, Santa Monica, CA (US); **Mark D. Siminoff**, Mountain View, CA (US); **Christopher Loew**, Palo Alto, CA (US); **Chung-Sen Huang**, Taipei (TW); **Alexey Krasnoschok**, Kiev (UA)
- (73) Assignee: **Amazon Technologies, Inc.**, Seattle, WA (US)
- (**) Term: **15 Years**
- (21) Appl. No.: **29/800,679**
- (22) Filed: **Jul. 22, 2021**

- D798,177 S 9/2017 Siminoff et al.
- D802,463 S 11/2017 Siminoff et al.
- D817,208 S 5/2018 Ravat et al.
- D819,476 S 6/2018 Siminoff et al.
- D820,137 S 6/2018 Siminoff et al.
- D820,707 S 6/2018 Siminoff et al.
- D820,708 S 6/2018 Siminoff et al.
- D822,518 S 7/2018 Siminoff et al.
- D822,519 S 7/2018 Siminoff et al.
- D822,520 S 7/2018 Siminoff et al.
- D829,209 S 9/2018 Zheng et al.
- D829,585 S 10/2018 Siminoff et al.
- D830,871 S 10/2018 Siminoff et al.
- D833,313 S 11/2018 Siminoff et al.
- D837,080 S 1/2019 Siminoff et al.
- D848,300 S 5/2019 Siminoff et al.
- D849,082 S 5/2019 Boling et al.
- D852,866 S 7/2019 Siminoff et al.
- D854,958 S 7/2019 Siminoff et al.

(Continued)

Primary Examiner — Joseph Kukella
(74) *Attorney, Agent, or Firm* — Lee & Hayes, P.C.

Related U.S. Application Data

- (62) Division of application No. 29/715,429, filed on Dec. 2, 2019, now Pat. No. Des. 926,066.
- (51) **LOC (13) Cl.** **10-05**
- (52) **U.S. Cl.**
USPC **D10/118.2**
- (58) **Field of Classification Search**
USPC D10/106.6, 106.7, 106.8, 116.1, 118, D10/118.2, 121–124, 126; D13/171, 174; D14/358; D16/202, 203, 208, 209, 215
CPC ... G08B 3/00; G08B 3/10; G08B 7/00; G08B 7/06; G08B 13/1436; G08B 13/1463; G08B 13/1481
See application file for complete search history.

(56) **References Cited**

U.S. PATENT DOCUMENTS

- D788,061 S 5/2017 Siminoff
- D789,820 S 6/2017 Siminoff et al.

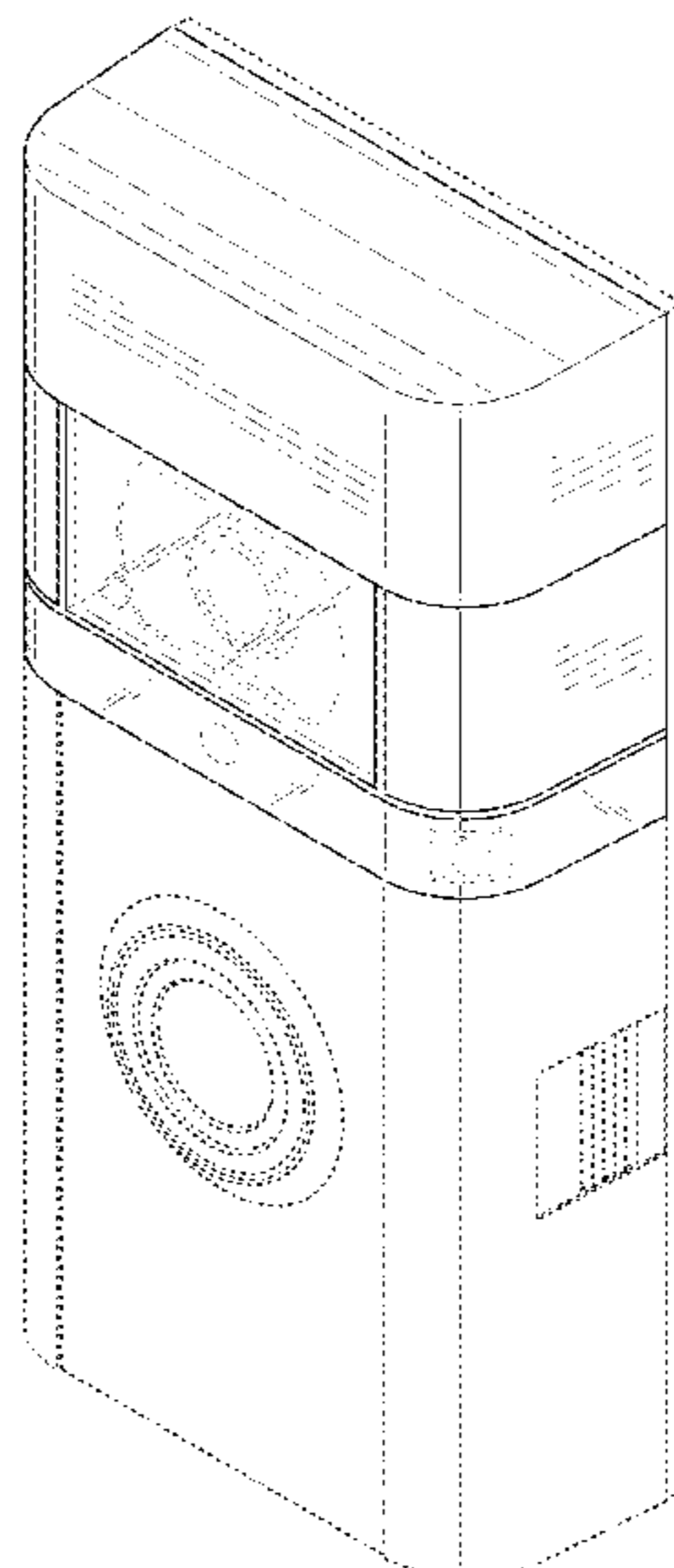
(57) **CLAIM**

The ornamental design for a doorbell, as shown and described.

DESCRIPTION

FIG. 1 is a top, front, right-side perspective view of a doorbell;
 FIG. 2 is a bottom, back, left-side perspective view thereof;
 FIG. 3 is a front elevation view thereof;
 FIG. 4 is a back elevation view thereof;
 FIG. 5 is a left-side elevation view thereof;
 FIG. 6 is a right-side elevation view thereof;
 FIG. 7 is a top plan view thereof; and,
 FIG. 8 is a bottom plan view thereof.
 The broken lines depict portions of the doorbell that form no part of the claimed design.

1 Claim, 8 Drawing Sheets



(56)

References Cited

U.S. PATENT DOCUMENTS

D856,838 S	8/2019	Siminoff et al.	
D858,338 S	9/2019	Yu	
D859,200 S	9/2019	Siminoff et al.	
D860,029 S	9/2019	Yang	
D860,176 S	9/2019	Siminoff et al.	
D866,379 S	11/2019	Siminoff et al.	
D866,380 S	11/2019	Siminoff et al.	
D866,381 S	11/2019	Siminoff et al.	
D870,587 S	12/2019	Siminoff et al.	
D882,443 S	4/2020	Siminoff et al.	
D889,300 S	7/2020	Siminoff et al.	
D889,301 S	7/2020	Siminoff et al.	
D901,471 S	11/2020	Siminoff et al.	
D924,135 S *	7/2021	England	D13/110
D925,384 S *	7/2021	England	D10/121
D926,066 S *	7/2021	England	D10/118.2
D937,277 S *	11/2021	Recker	D14/443

* cited by examiner

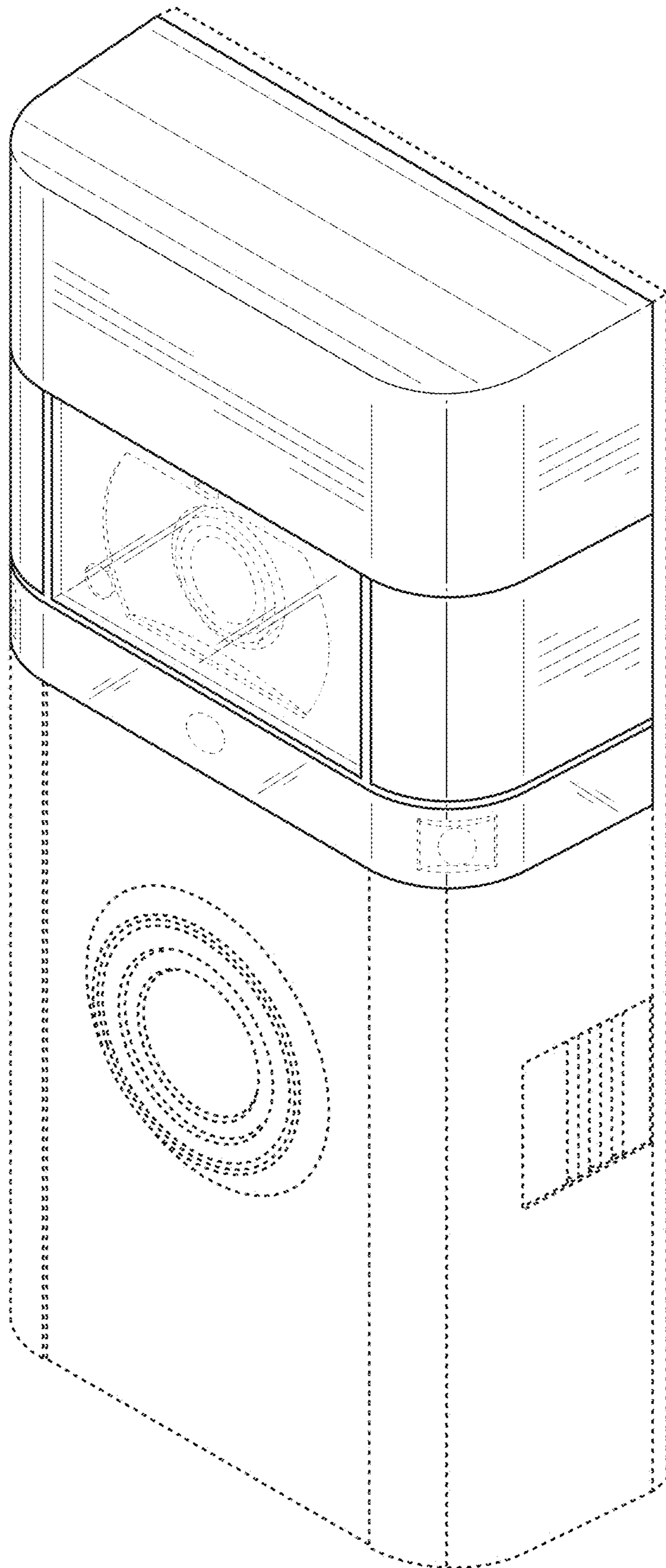


FIG. 1

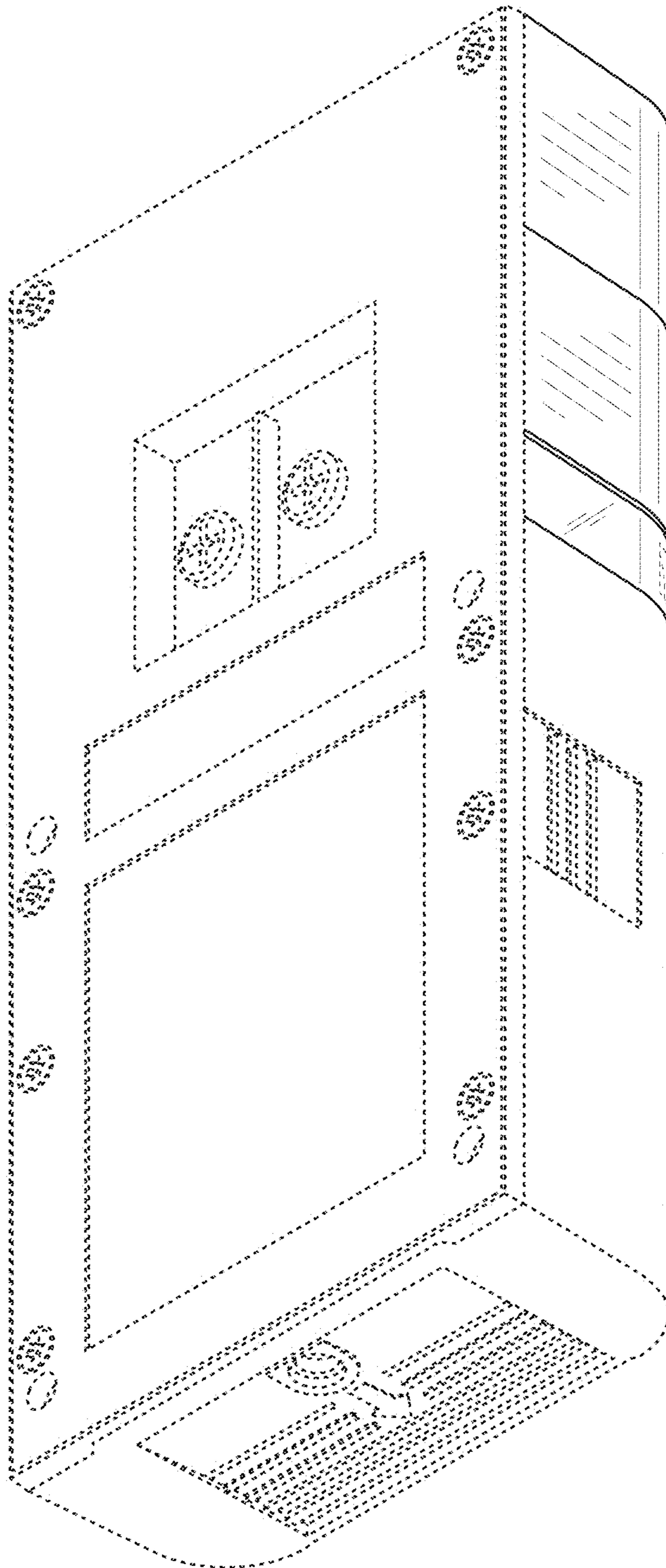


FIG. 2

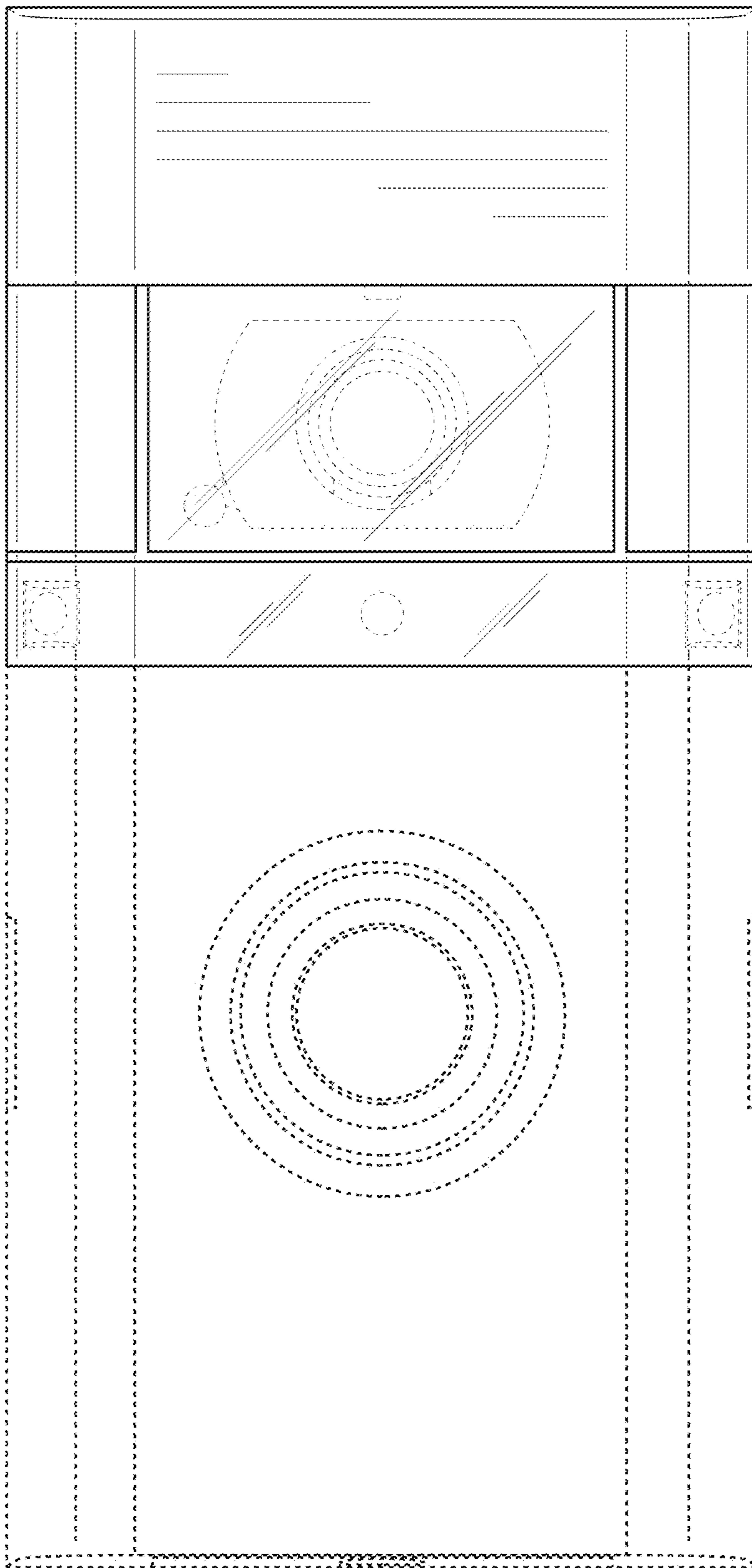


FIG. 3

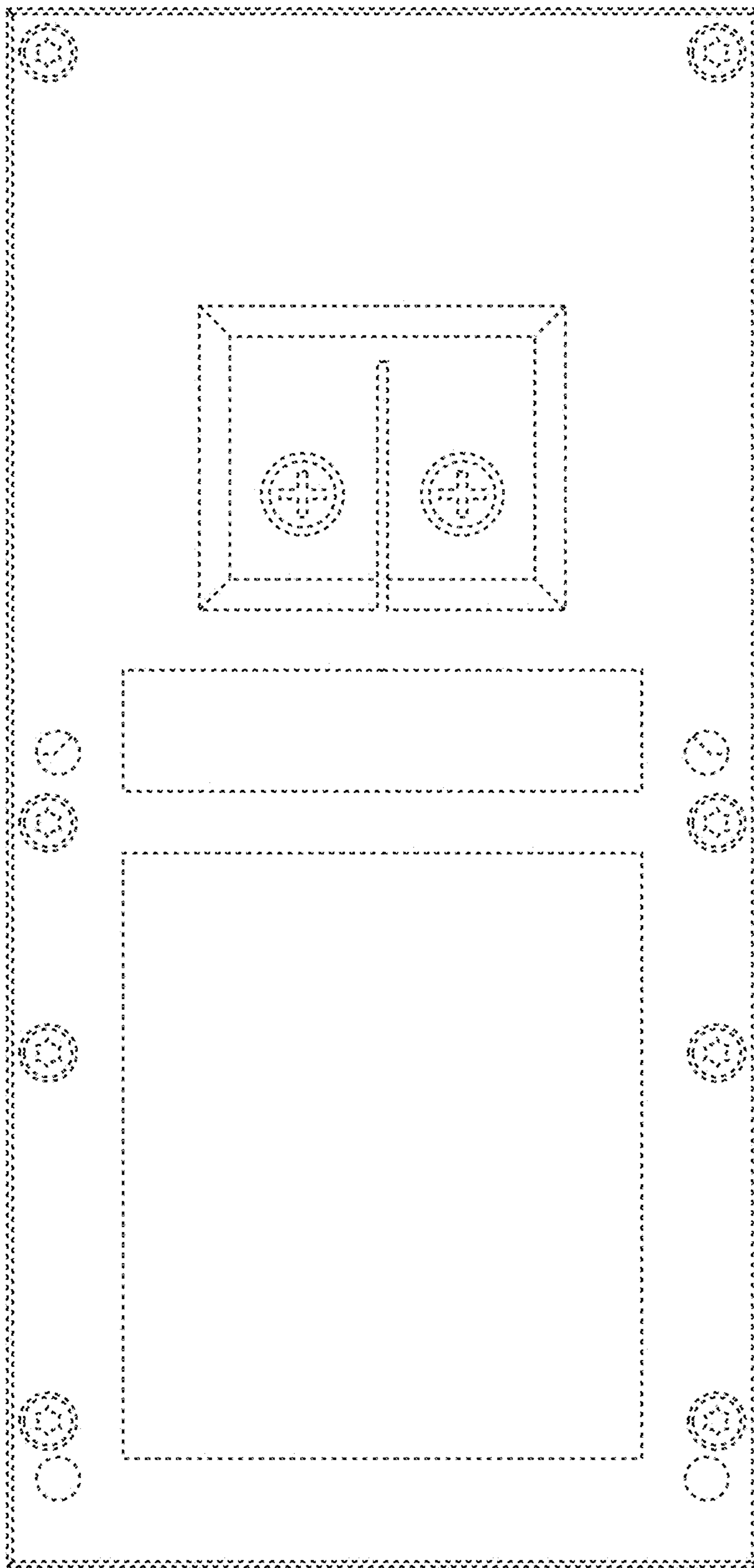


FIG. 4

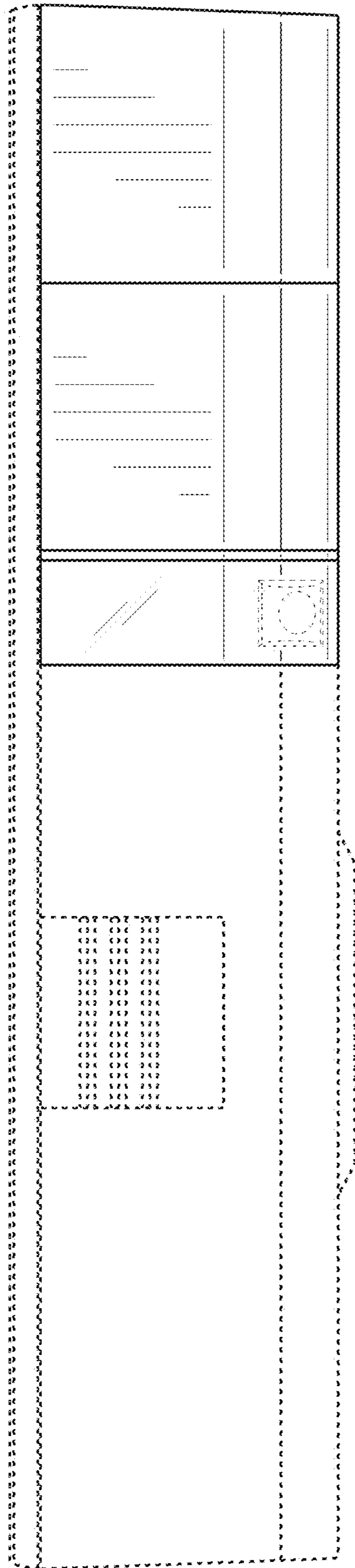


FIG. 5

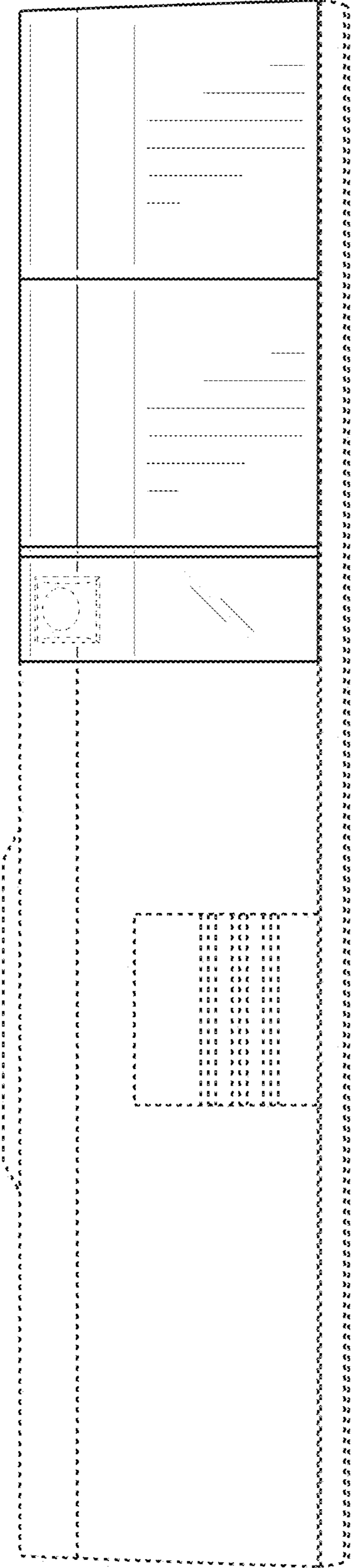


FIG. 6

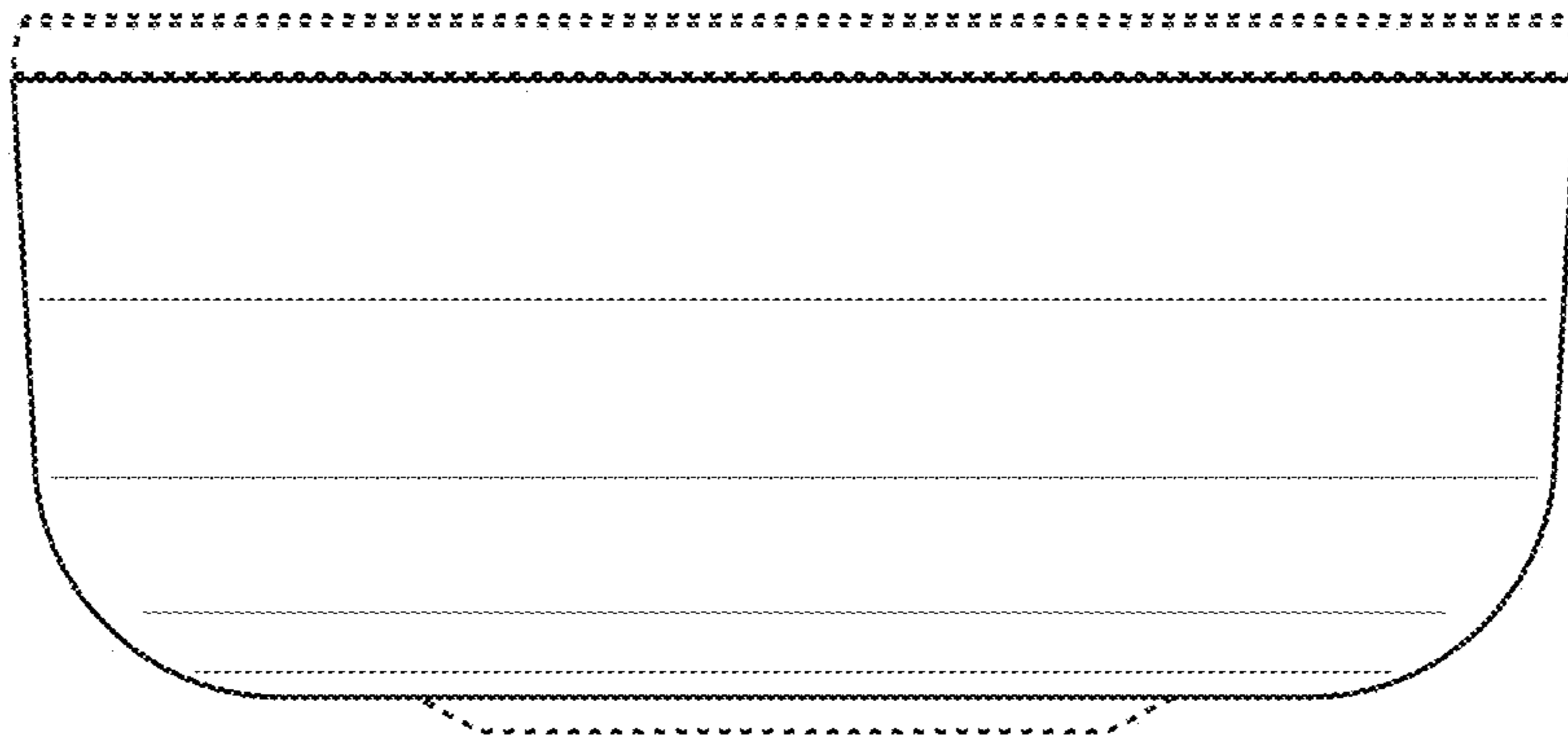


FIG. 7

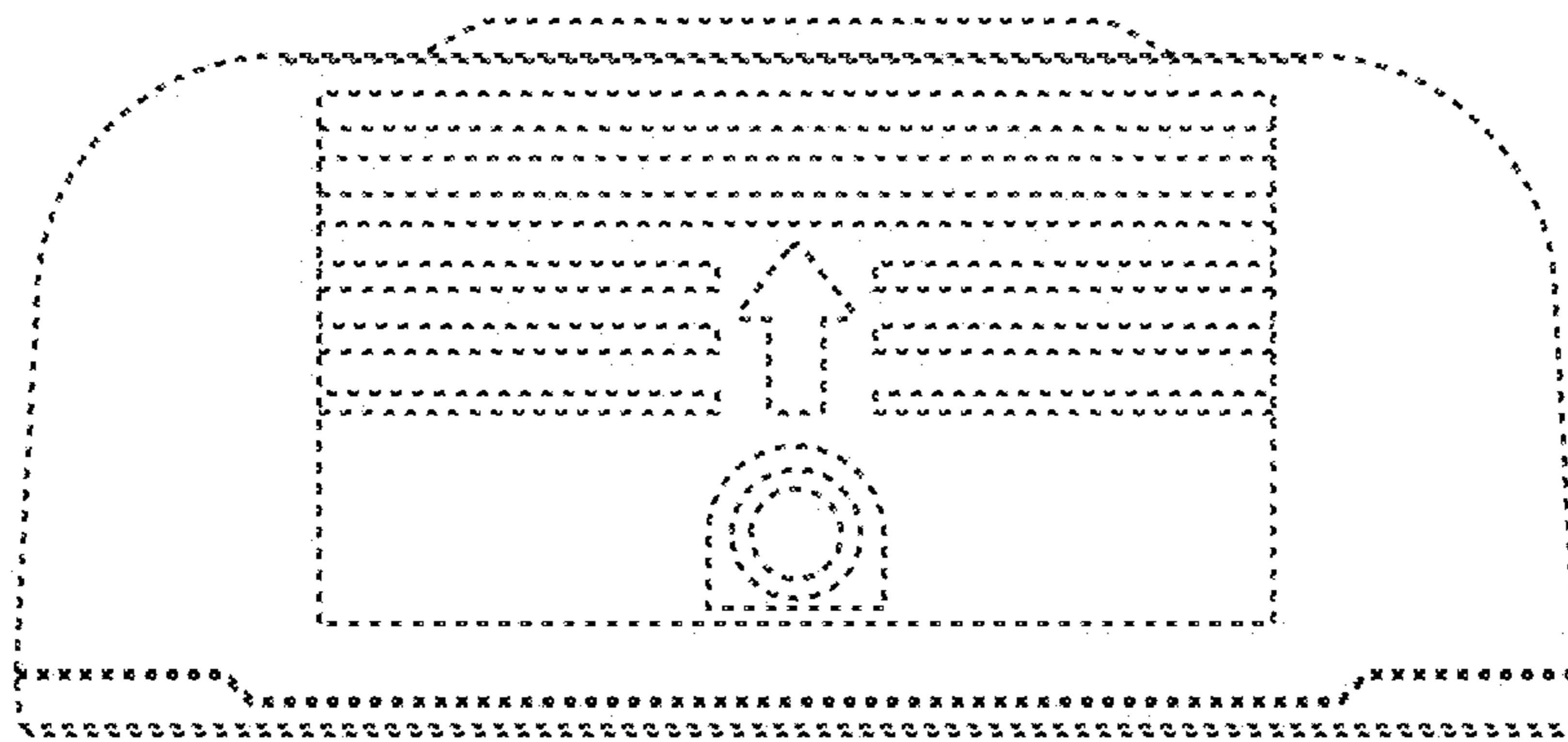


FIG. 8