



US00D957277S

(12) **United States Design Patent**
Han et al.

(10) **Patent No.:** **US D957,277 S**
(45) **Date of Patent:** **** Jul. 12, 2022**

(54) **ABDOMINAL FAT MEASUREMENT APPARATUS**

(71) Applicant: **Olive Healthcare Inc.**, Seoul (KR)

(72) Inventors: **Sung Ho Han**, Seoul (KR); **Sung Min Han**, Seoul (KR); **Yong Taik Son**, Seoul (KR); **A Ram Shin**, Seongnam-si (KR); **Chul Ro Lee**, Seoul (KR); **A Lan Lee**, Seoul (KR)

(73) Assignee: **Olive Healthcare Inc.**, Seoul (KR)

(**) Term: **15 Years**

(21) Appl. No.: **29/655,696**

(22) Filed: **Jul. 6, 2018**

(30) **Foreign Application Priority Data**

May 29, 2018 (KR) 30-2018-0024977

(51) **LOC (13) Cl.** **10-04**

(52) **U.S. Cl.**
USPC **D10/97**

(58) **Field of Classification Search**
USPC D24/186, 187; D10/88, 92-94, 97, 98
CPC A61B 5/0537; A61B 5/4869; A61B 5/4872
See application file for complete search history.

(56) **References Cited**

U.S. PATENT DOCUMENTS

D457,454 S *	5/2002	Yuan	D10/98
D458,862 S *	6/2002	Yuan	D10/98
6,400,983 B1 *	6/2002	Cha	A61B 5/0537
				600/547
D503,899 S *	4/2005	Yamada	D10/92
D526,231 S *	8/2006	Oas	D10/97
D577,621 S *	9/2008	Van Seumeren	D10/93
D623,974 S *	9/2010	Shigeno	D10/97
D628,503 S *	12/2010	Kasano	D10/93

D750,520 S *	3/2016	Yuasa	D10/98
D811,915 S *	3/2018	Essex	D10/94
D819,471 S *	6/2018	Essex	D10/93
D844,792 S *	4/2019	Choe	D24/186
D885,222 S *	5/2020	Haag	D10/98

(Continued)

FOREIGN PATENT DOCUMENTS

WO D039513-002 * 5/1997

OTHER PUBLICATIONS

[Health-tech Korea] Bello: Tracking belly fat with a near-infrared light scanner, posted at koreaheerald.com, posted Dec. 23, 2018, retrieved Oct. 1, 2020, online, URL: <http://www.koreaheerald.com/view.php?ud=20181220000790> (Year: 2018).*

(Continued)

Primary Examiner — Mary Shannon Malley

(74) *Attorney, Agent, or Firm* — Dinsmore & Shohl LLP; Yongsok Choi, Esq.

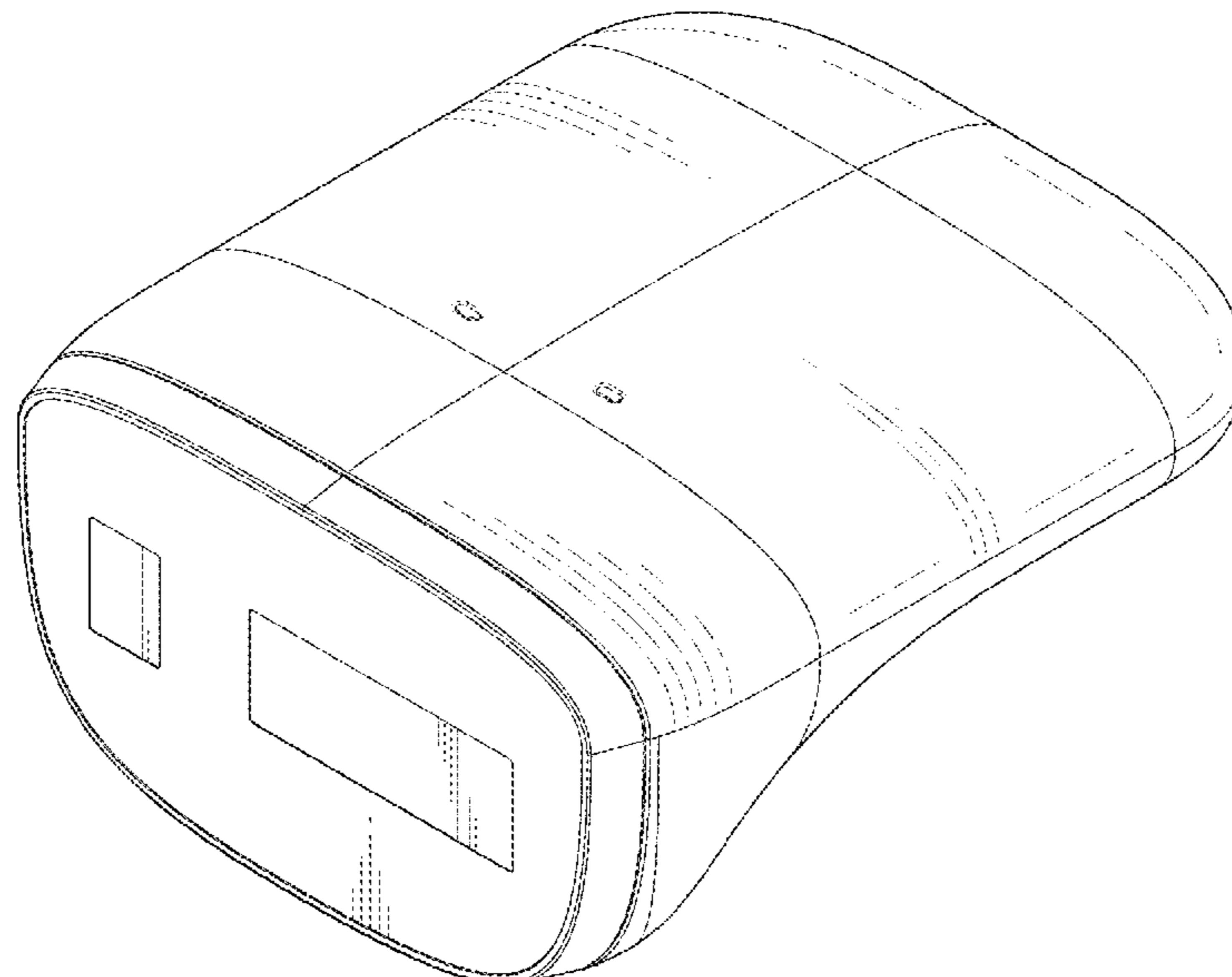
(57) **CLAIM**

The ornamental design for an abdominal fat measurement apparatus, as shown and described.

DESCRIPTION

FIG. 1 is a front view of an abdominal fat measurement apparatus illustrating our new design; FIG. 2 is a rear view thereof; FIG. 3 is a top plan view thereof; FIG. 4 is a bottom view thereof; FIG. 5 is a left side view thereof; FIG. 6 is a right side view thereof; and, FIG. 7 is a perspective view thereof. The broken lines depict portions of the abdominal fat measurement apparatus that form no part of the claimed design.

1 Claim, 7 Drawing Sheets



(56)

References Cited

U.S. PATENT DOCUMENTS

2014/0073983 A1* 3/2014 Vogel A61B 5/053
600/547
2016/0157749 A1* 6/2016 Bohorquez A61B 5/0537
600/393

OTHER PUBLICATIONS

Personalized Belly Fat Solution Bello, posted at olive-hc.com, no posting date, retrieved Apr. 4, 2021, online, URL: https://www.olive-hc.com/contents.php?con_id=bello (Year: 2021).*

Wayback machine search for NPL citation U, captured Oct. 27, 2019, retrieved Apr. 4, 2021, online, URL: https://web.archive.org/web/20191027044539/https://www.olive-hc.com/contents.php?con_id=bello (Year: 2019).*

* cited by examiner

FIG. 1

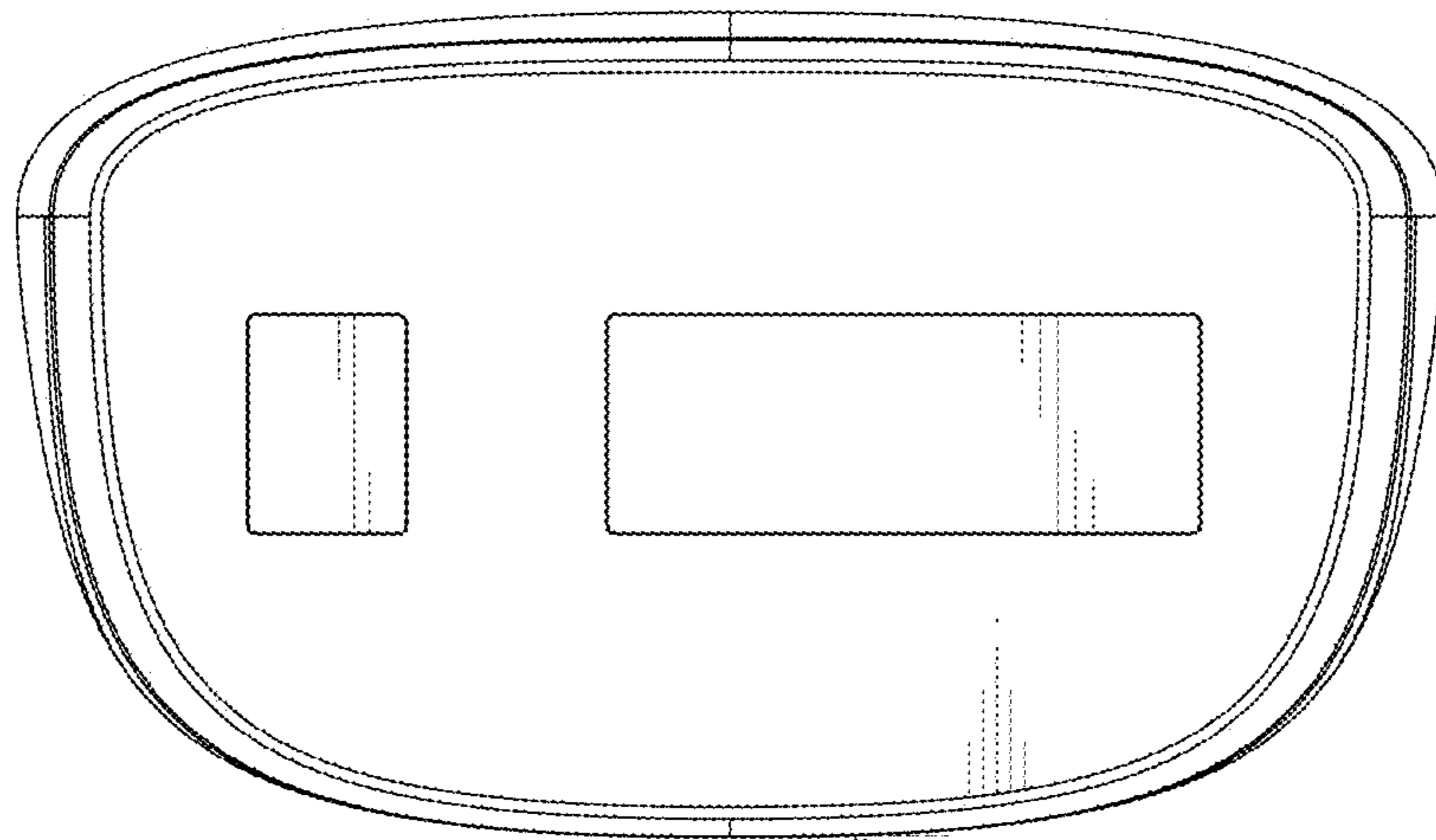


FIG. 2

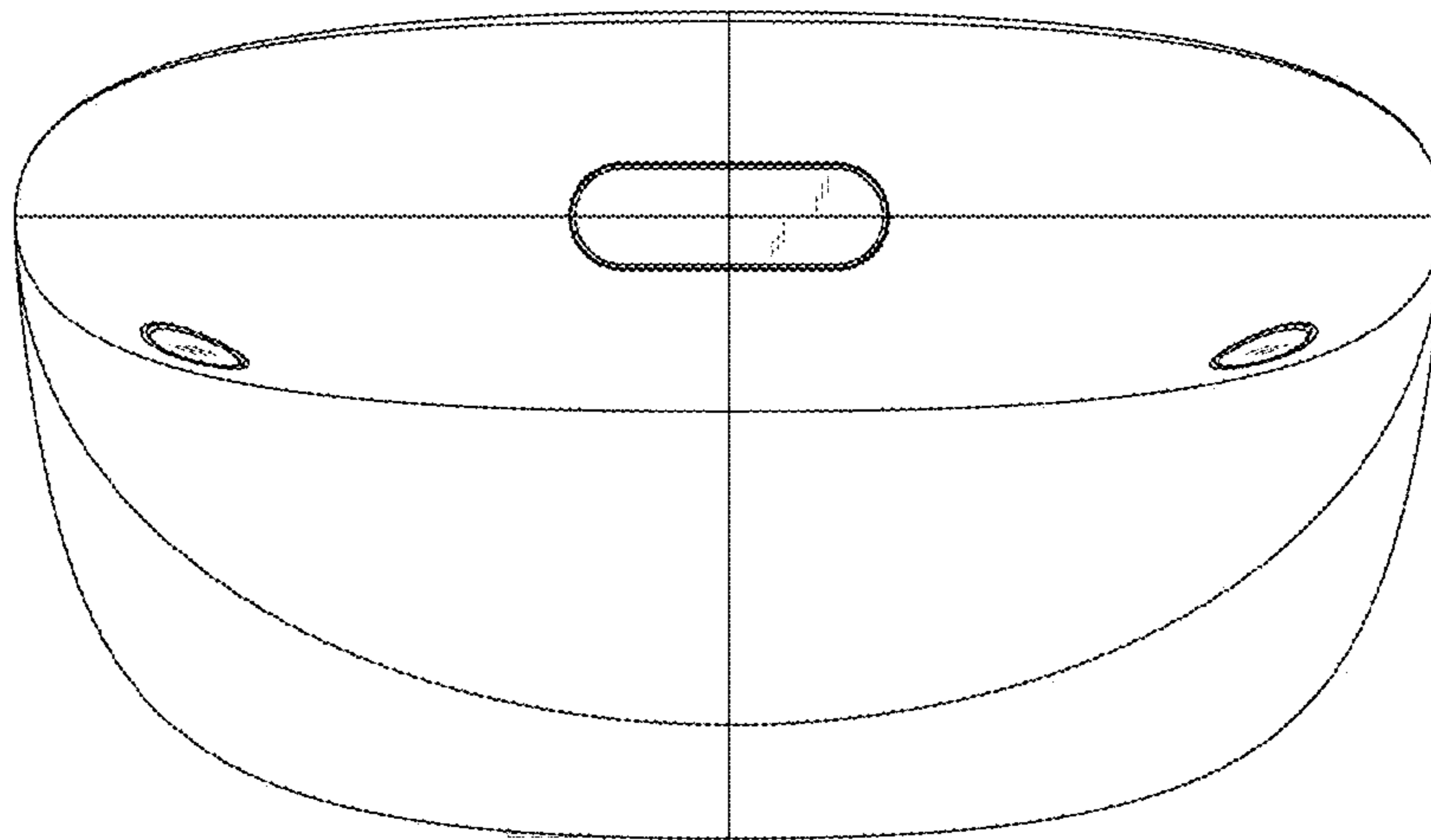


FIG. 3

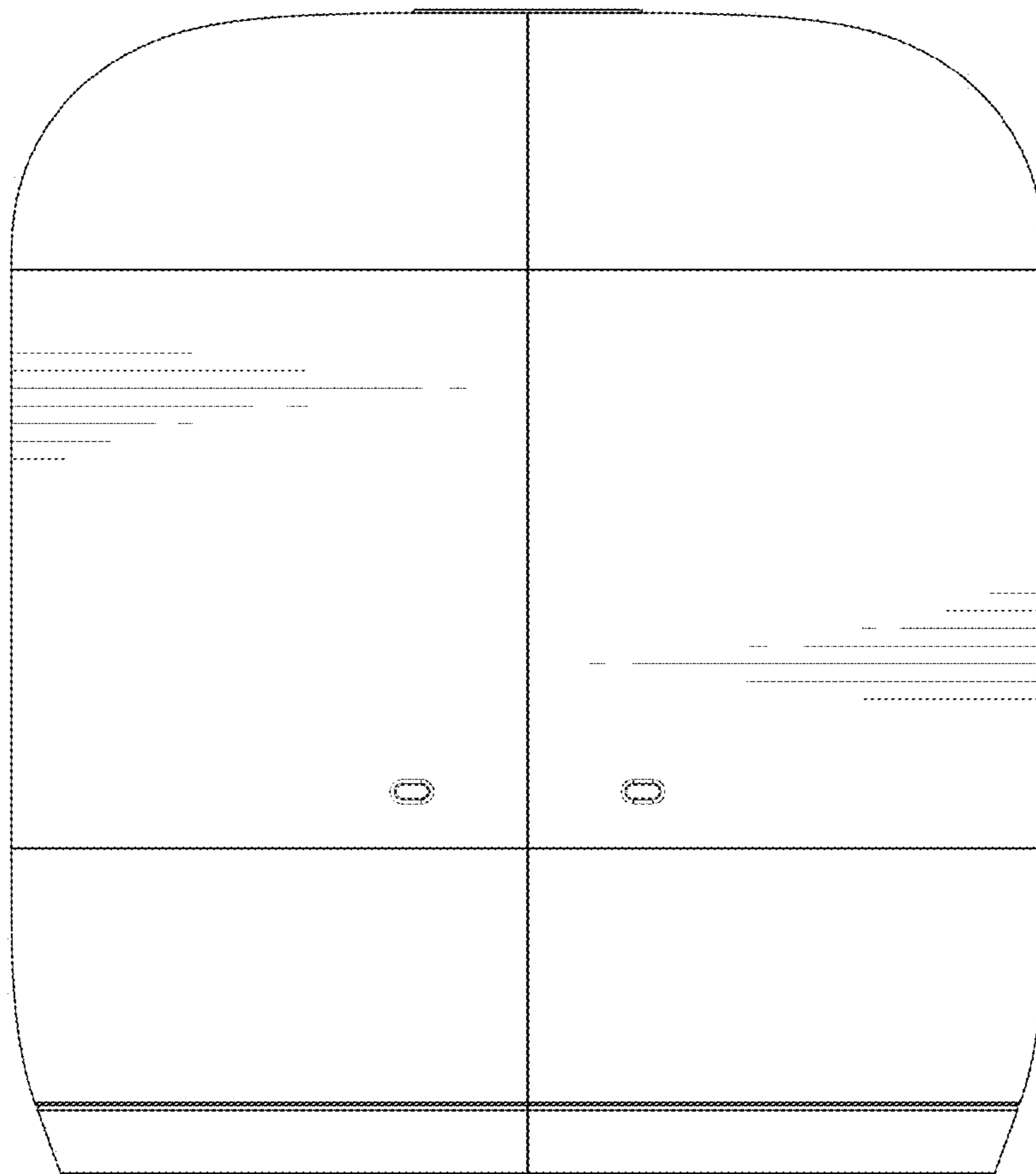


FIG. 4

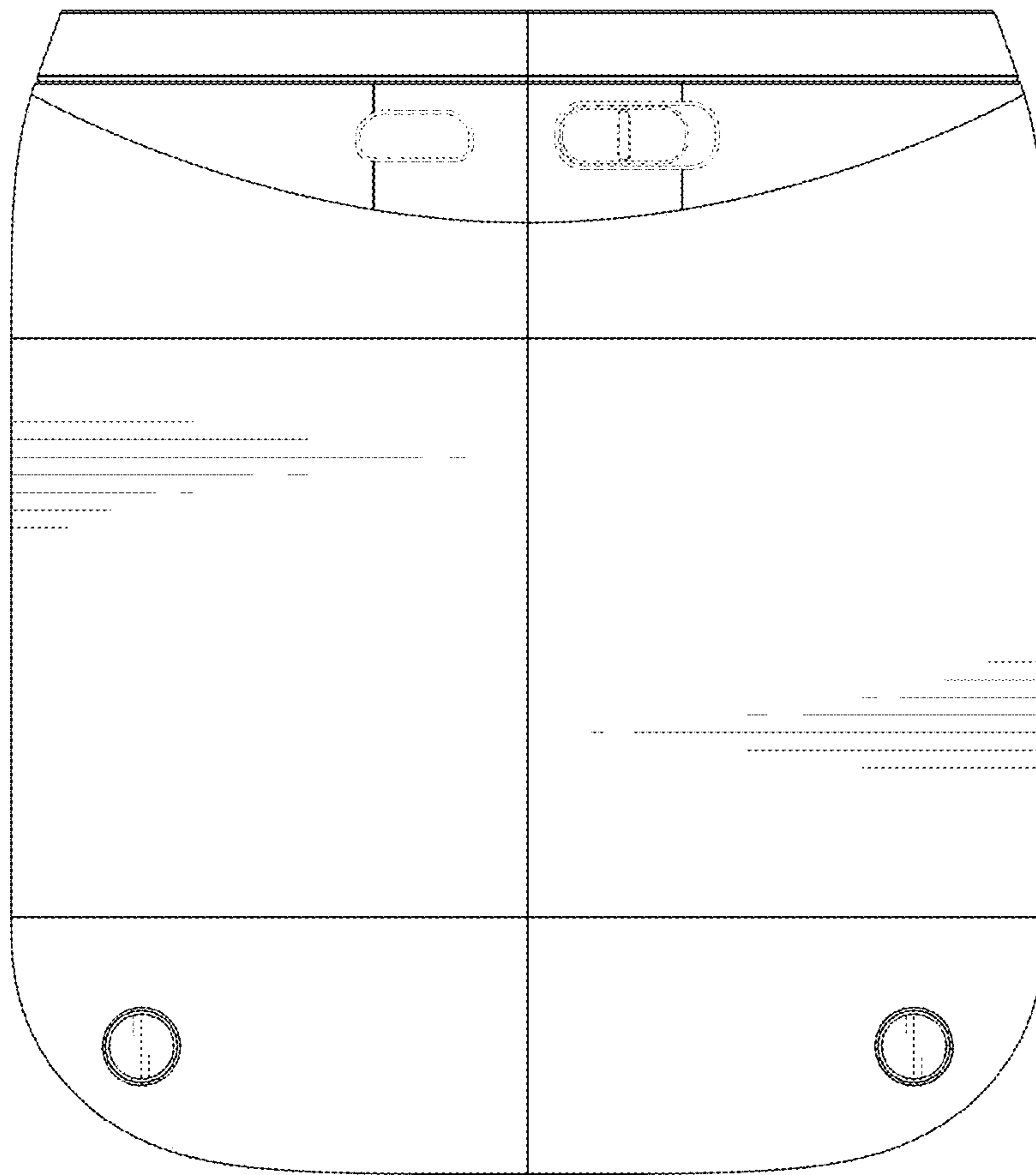


FIG. 5

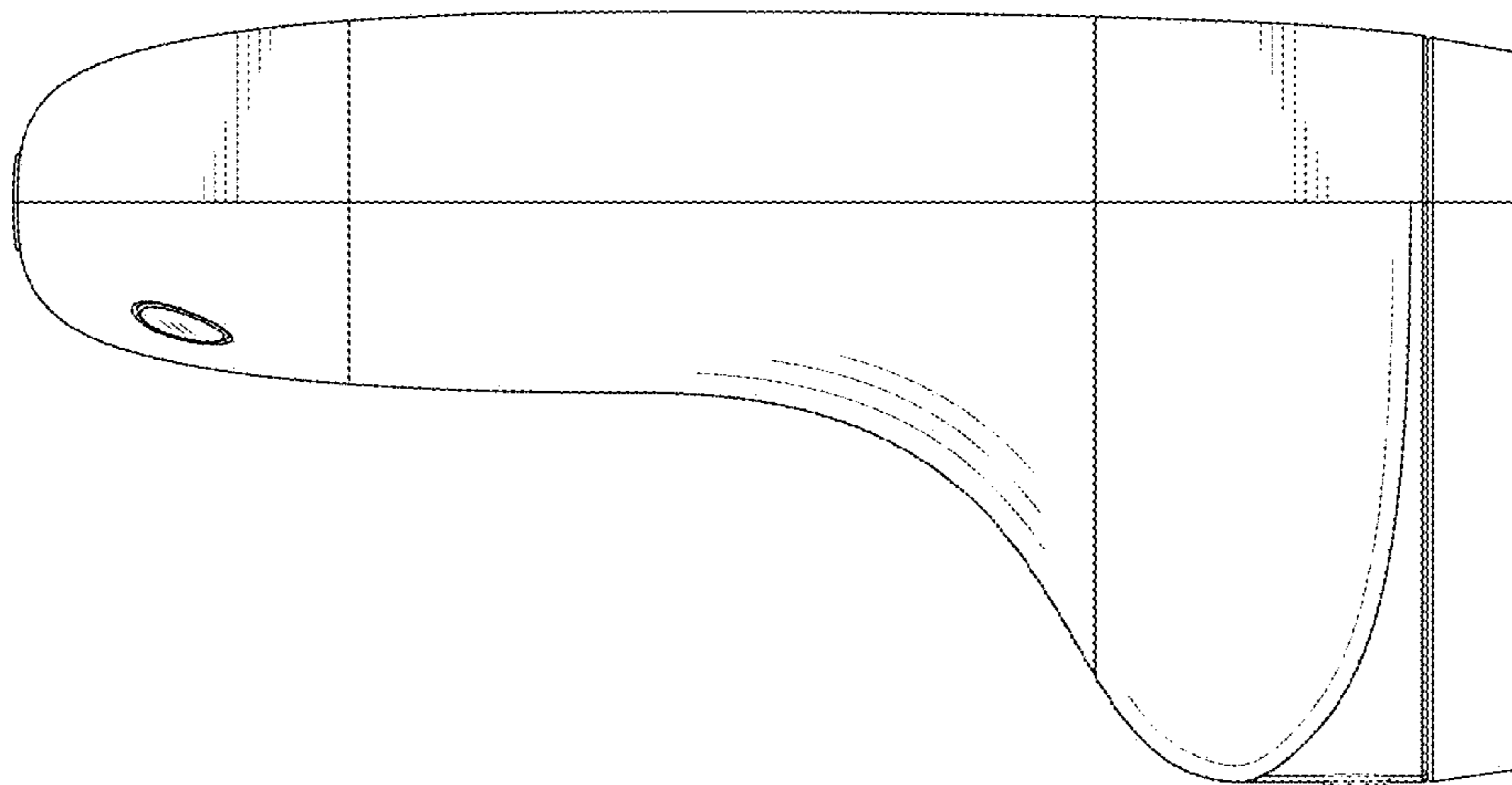


FIG. 6

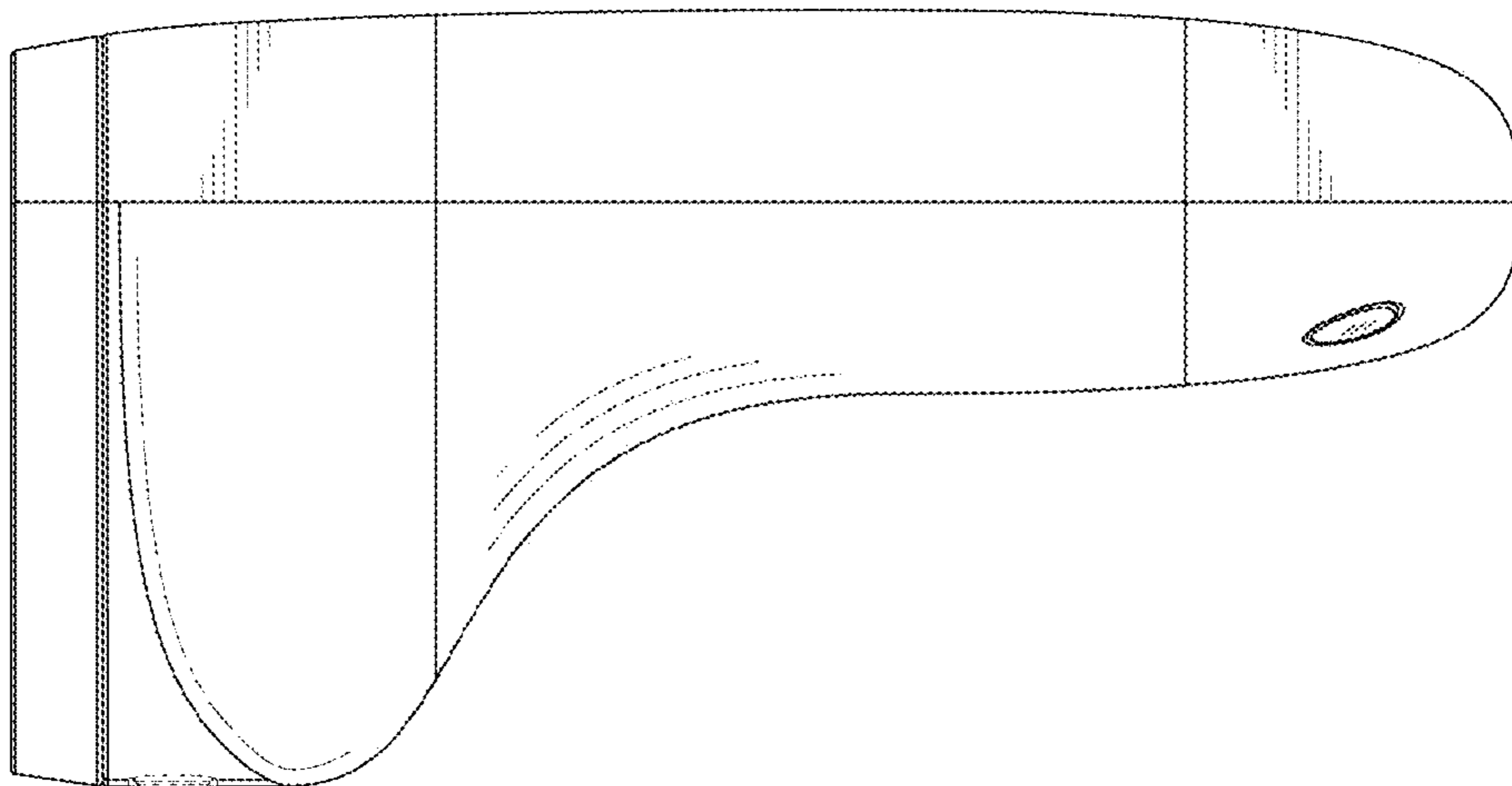


FIG. 7

