

US00D957276S

(12) **United States Design Patent** (10) **Patent No.:** **US D957,276 S**
Kim et al. (45) **Date of Patent:** **** Jul. 12, 2022**

(54) **COLOR CALIBRATOR FOR MONITOR**

(56) **References Cited**

(71) Applicant: **LG ELECTRONICS INC.**, Seoul (KR)

U.S. PATENT DOCUMENTS

(72) Inventors: **Hyeongyeol Kim**, Seoul (KR);
Daihyung Ryu, Seoul (KR)

5,270,540	A *	12/1993	Skop, Jr	G01J 3/506
				348/E17.005
7,027,140	B2 *	4/2006	Slocum	H04N 17/04
				356/402
D680,889	S *	4/2013	Lecoq	D10/75
D737,695	S *	9/2015	Angenendt	D10/75
D759,517	S *	6/2016	Kawai	D10/75
9,530,340	B2 *	12/2016	Lee	G01J 3/0202
D926,058	S *	7/2021	Shah	D24/186
2020/0074903	A1 *	3/2020	Chen	G09G 3/006
2021/0215538	A1 *	7/2021	Chen	G01J 3/0202

(73) Assignee: **LG ELECTRONICS INC.**, Seoul (KR)

(**) Term: **15 Years**

* cited by examiner

(21) Appl. No.: **35/510,886**

Primary Examiner — George D. Kirschbaum

(22) Filed: **Nov. 18, 2020**

(74) *Attorney, Agent, or Firm* — Birch, Stewart, Kolasch & Birch, LLP

(80) **Hague Agreement Data**

Int. Filing Date: **Nov. 18, 2020**

Int. Reg. No.: **DM/211404**

Int. Reg. Date: **Nov. 18, 2020**

Int. Reg. Pub. Date: **Dec. 4, 2020**

(57) **CLAIM**

The ornamental design for a color calibrator for monitor, as shown and described.

(30) **Foreign Application Priority Data**

Jun. 18, 2020 (KR) 30-2020-0027670

(51) **LOC (13) Cl.** **10-04**

(52) **U.S. Cl.**
USPC **D10/75**

(58) **Field of Classification Search**
USPC D10/75, 46; D14/356, 448; D24/186
CPC G01J 3/0202; G01J 3/506; G09G 3/006;
H04N 17/04

DESCRIPTION

1. Color calibrator for monitor

1.1 : Perspective

1.2 : Front

1.3 : Back

1.4 : Left

1.5 : Right

1.6 : Top

1.7 : Bottom

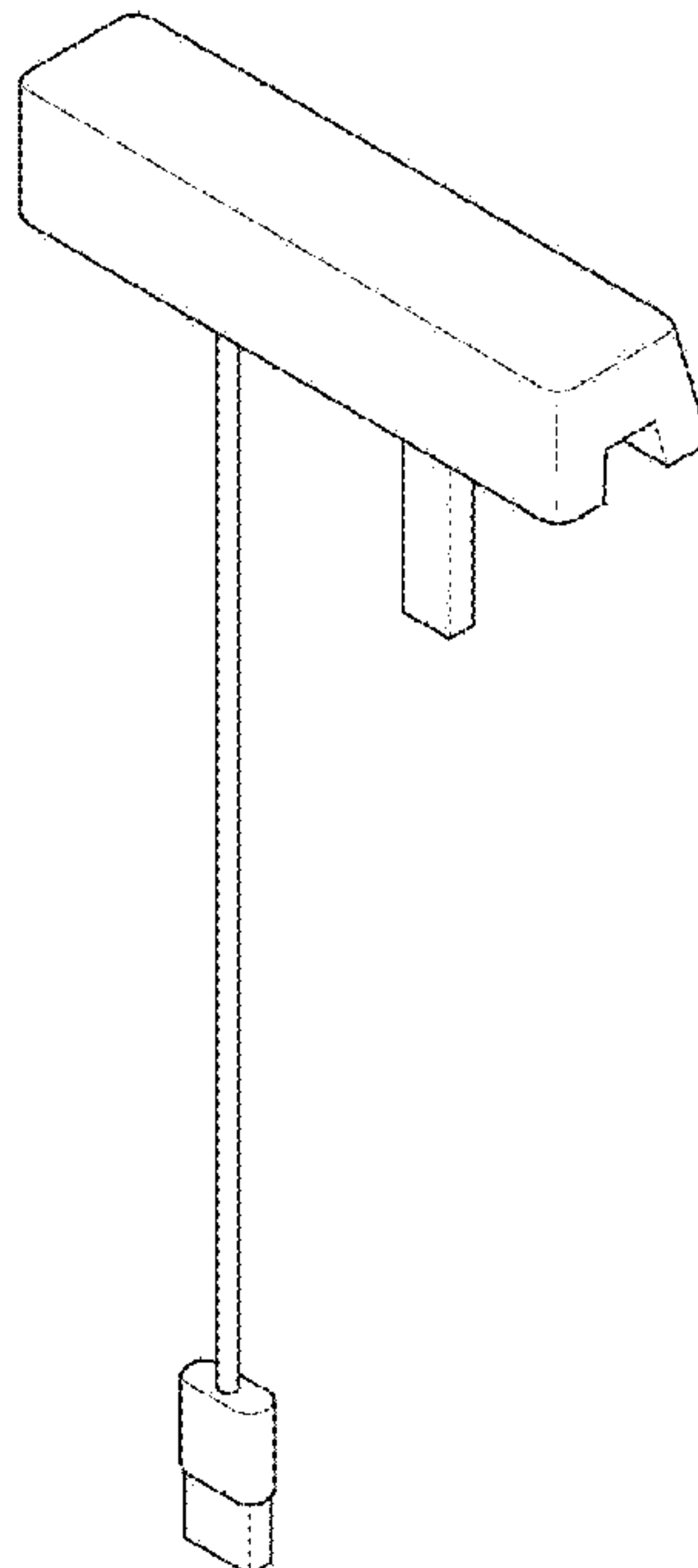
1.8: Perspective view shown in use.

1.9 : Perspective view shown in use.

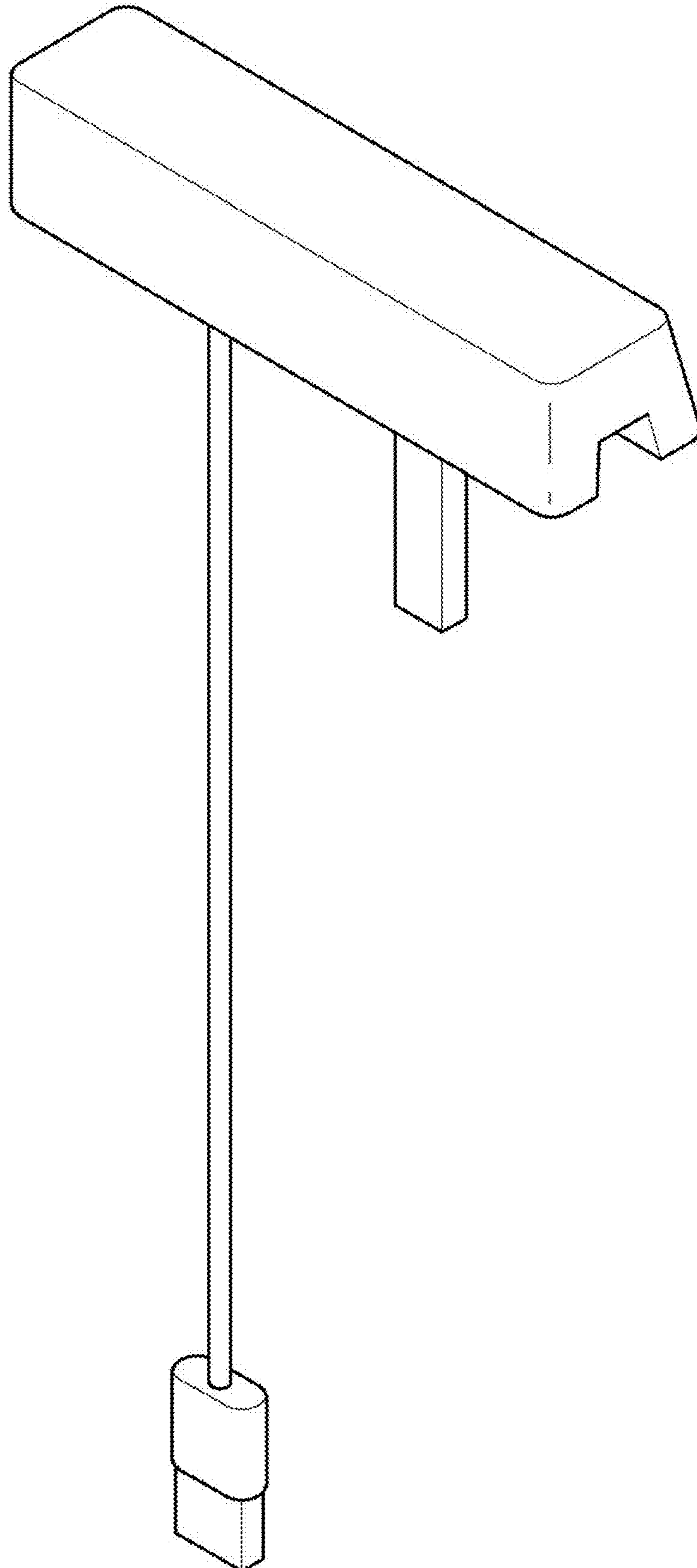
The broken lines in reproductions 1.8 and 1.9, disclosing a monitor, depict environmental subject matter that forms no part of the claimed design.

See application file for complete search history.

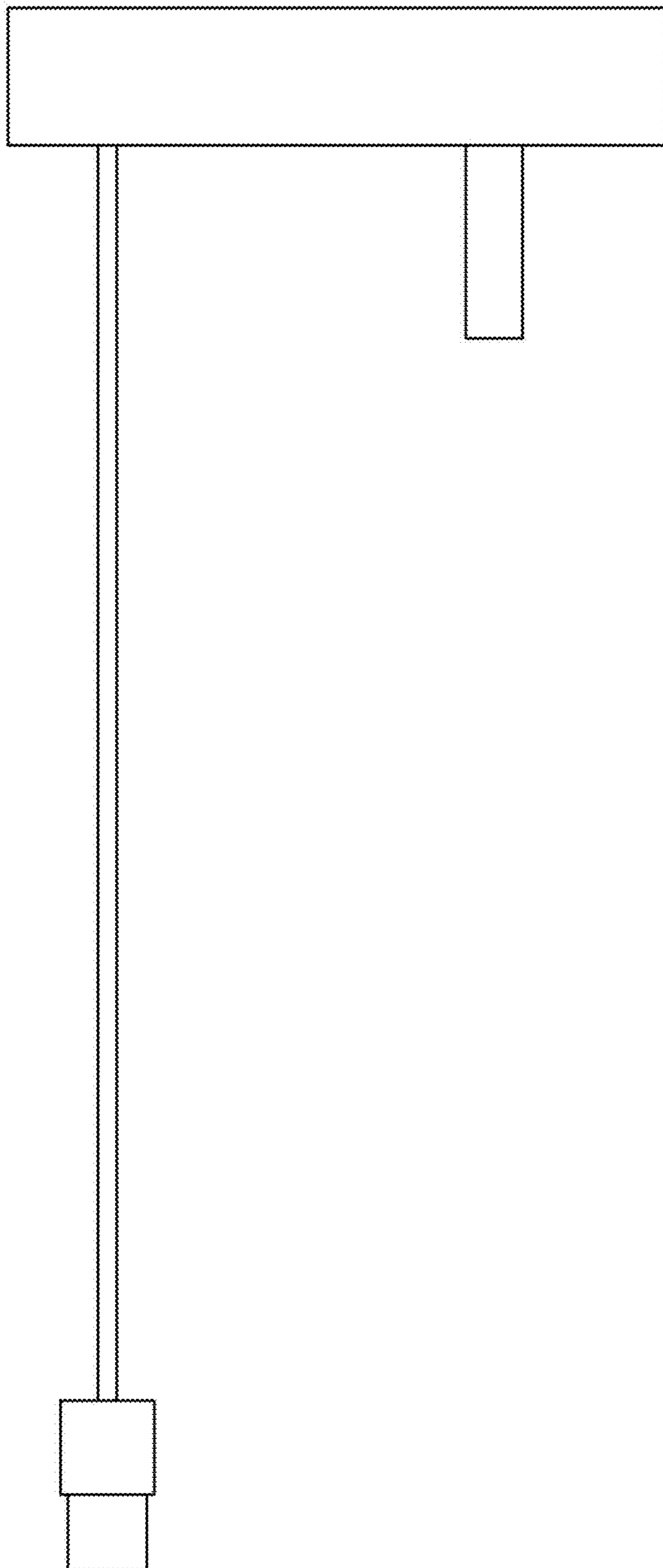
1 Claim, 9 Drawing Sheets



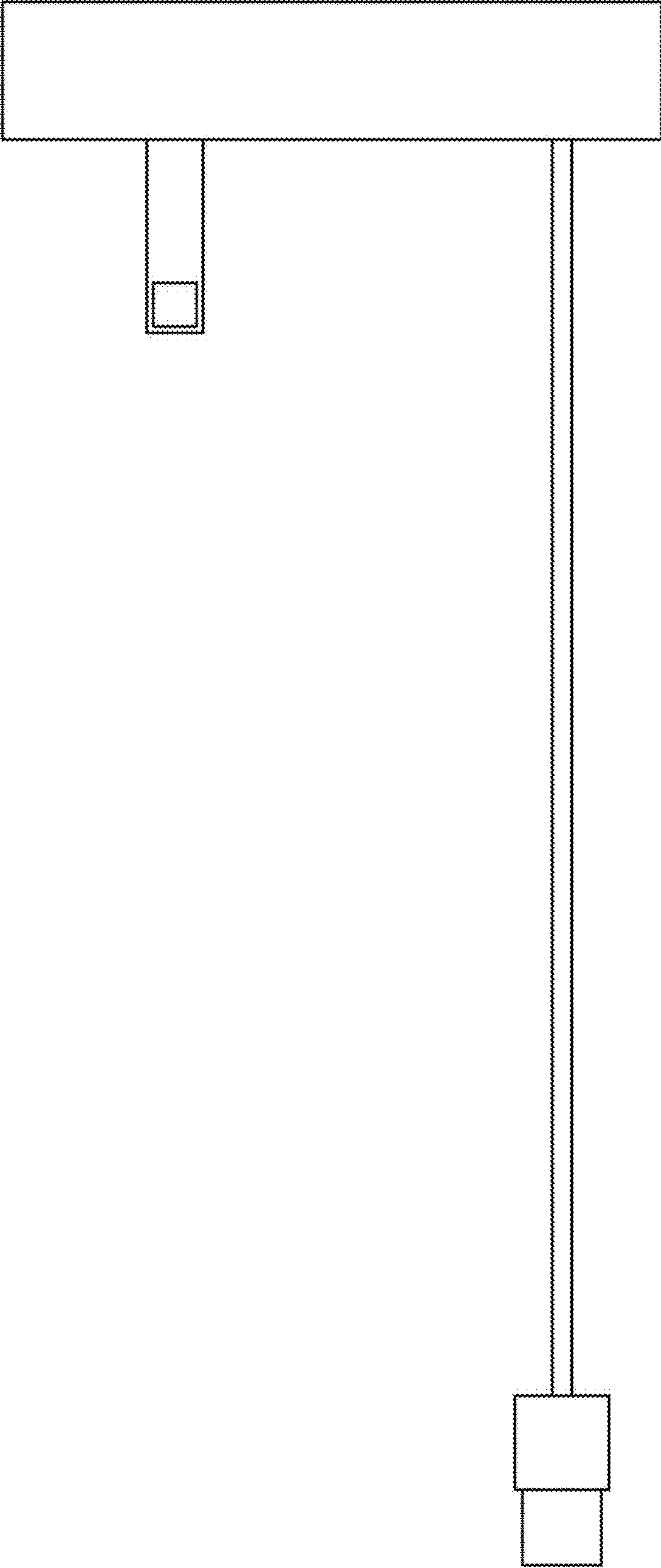
1.1



1.2



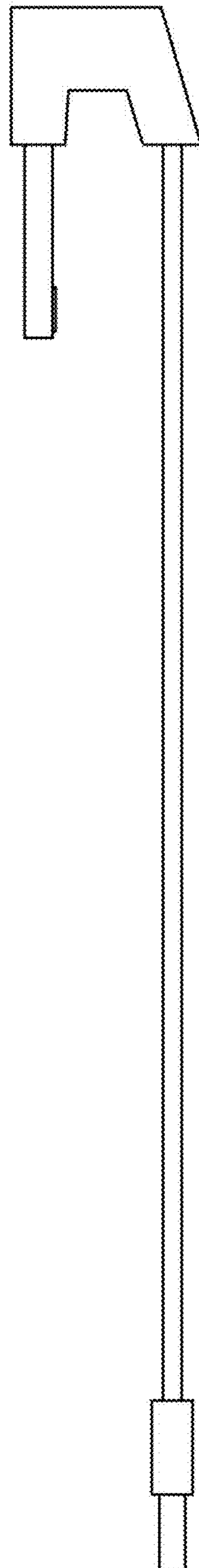
1.3



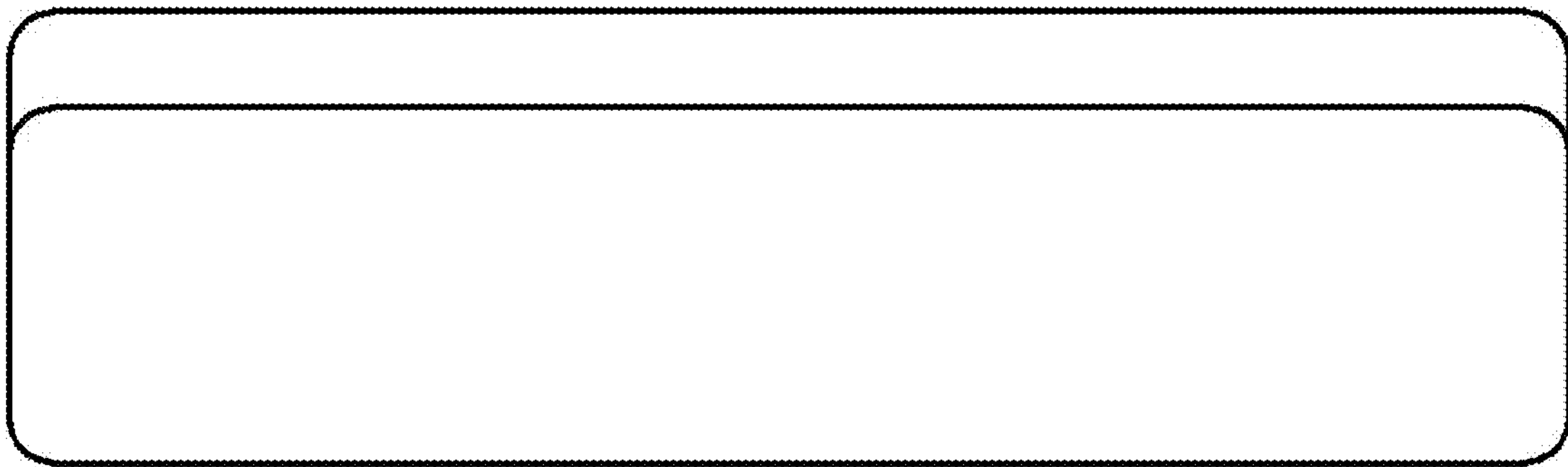
1.4



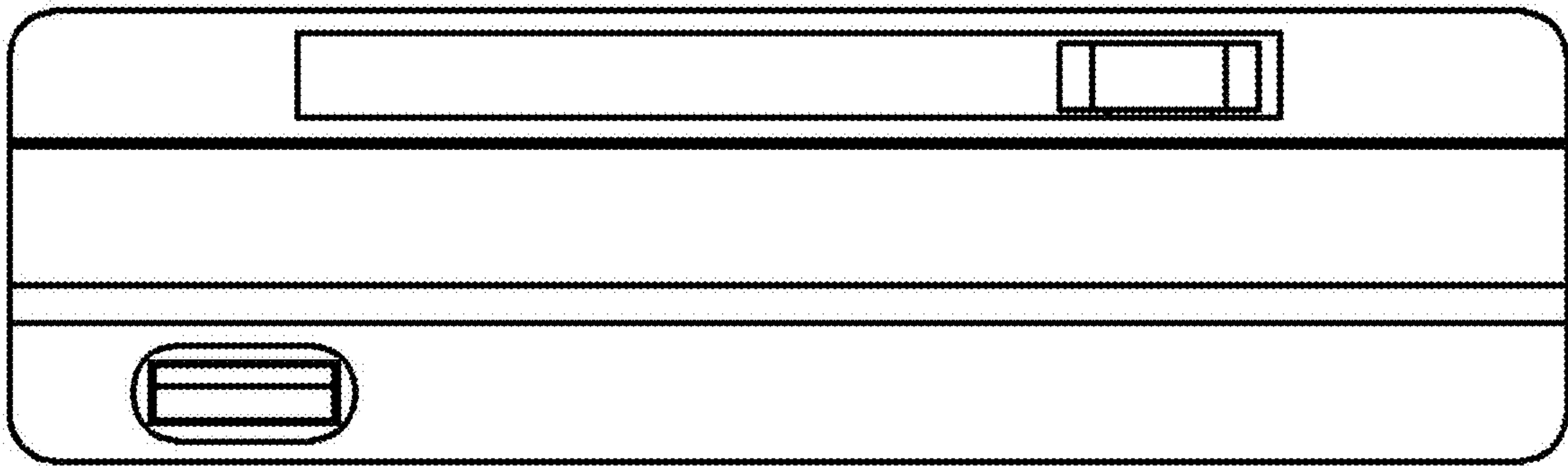
1.5



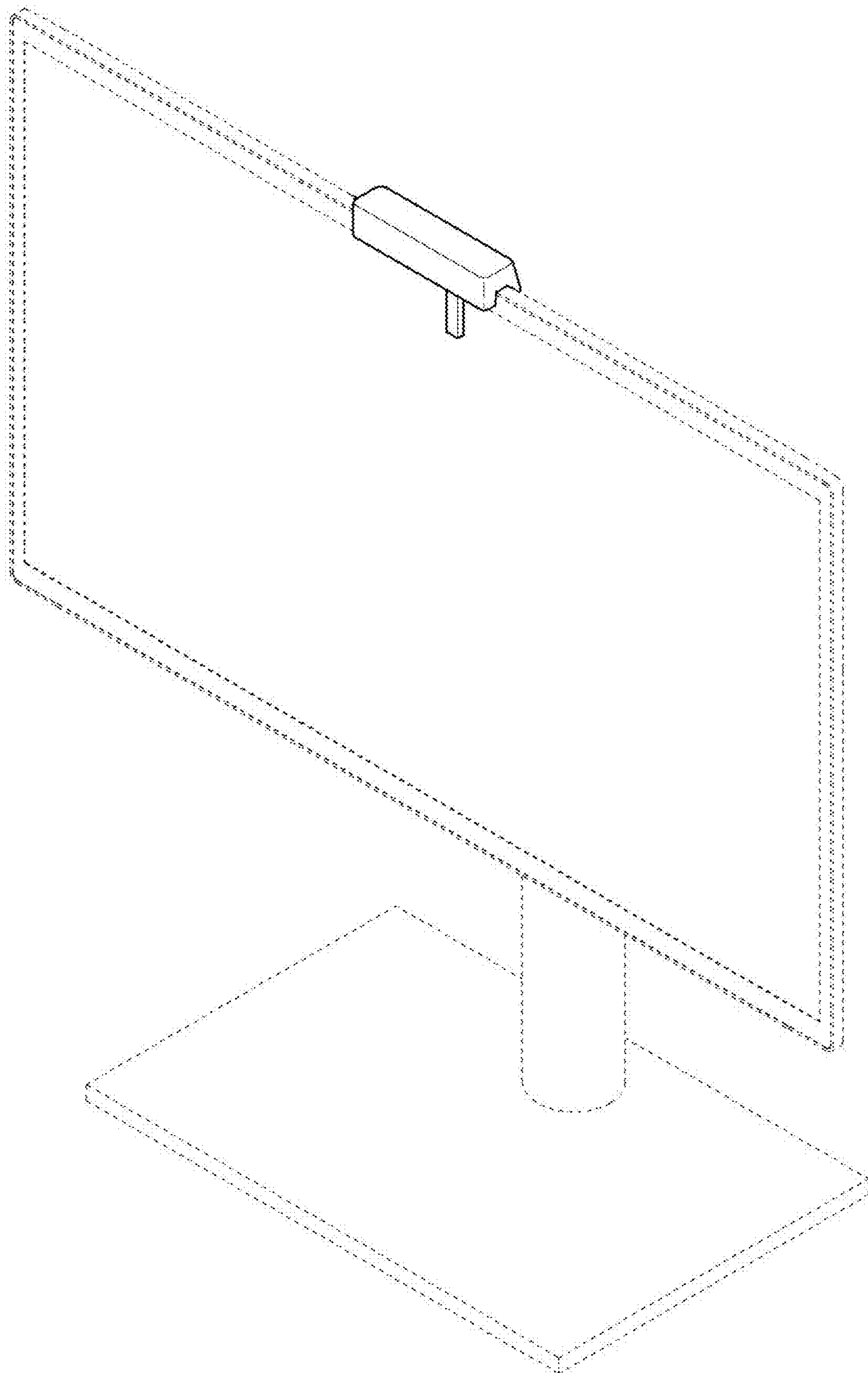
1.6



1.7



1.8



1.9

