



US00D957274S

(12) **United States Design Patent**  
**Dordick**

(10) **Patent No.:** **US D957,274 S**

(45) **Date of Patent:** **\*\* Jul. 12, 2022**

(54) **LEVELING BASE**

(71) Applicant: **Scott David Dordick**, La Verne, CA  
(US)

(72) Inventor: **Scott David Dordick**, La Verne, CA  
(US)

(\*\*) Term: **15 Years**

(21) Appl. No.: **29/715,653**

(22) Filed: **Dec. 4, 2019**

(51) **LOC (13) Cl.** ..... **10-04**

(52) **U.S. Cl.**  
USPC ..... **D10/69; D16/245**

(58) **Field of Classification Search**  
USPC .... D10/46, 61–62, 65, 66, 69, 74; D16/237,  
D16/242–245  
CPC ... G01C 9/18; G01C 9/20; G01C 9/24; G01C  
9/26; G01C 9/36; A45F 5/00; A45F 5/10;  
A45F 2200/0508–0533; G03B 17/56;  
G03B 17/561–568

See application file for complete search history.

(56) **References Cited**

**U.S. PATENT DOCUMENTS**

- 3,101,554 A \* 8/1963 Gottula ..... G01C 9/20  
33/377
- D277,389 S \* 1/1985 Nakatani ..... D16/245
- D366,887 S \* 2/1996 Wood ..... D16/242
- 6,260,971 B1 \* 7/2001 Cardellini ..... F16M 11/041  
248/177.1
- D467,605 S \* 12/2002 Dordick ..... D16/242
- D483,788 S \* 12/2003 Dordick ..... D16/242
- D508,422 S \* 8/2005 Boeke ..... D10/69
- D564,010 S \* 3/2008 Dordick ..... D16/242
- D579,803 S \* 11/2008 Crain ..... D10/69
- D603,442 S \* 11/2009 Dordick ..... D16/242
- D719,605 S \* 12/2014 Dordick ..... D16/245
- D763,710 S \* 8/2016 Barthold ..... D10/69
- D782,294 S \* 3/2017 Dordick ..... D8/396

- D785,698 S \* 5/2017 Wang ..... D16/242
- D797,179 S \* 9/2017 Dordick ..... D16/245
- D799,581 S \* 10/2017 Lin ..... D16/242
- D820,343 S \* 6/2018 Dordick ..... D16/242
- D866,366 S \* 11/2019 Sostak ..... D10/69
- D916,946 S \* 4/2021 Dordick ..... D16/245
- 2016/0025490 A1 \* 1/2016 Hoppe ..... G01C 9/26  
33/381
- 2019/0094663 A1 \* 3/2019 Jager ..... F16M 11/041
- 2019/0271902 A1 \* 9/2019 Chan ..... F16M 11/2014

**OTHER PUBLICATIONS**

Acratech Leveling Base | amazon.com; date first available Jun. 2003 [online]. © 1996-2021, Amazon.com, Inc [retrieved Jul. 29, 2021] from Internet: <[https://www.amazon.com/Acratech-Leveling-Standard-Tripod-Heads/dp/B000VACI0Y/ref=sr\\_1\\_29?dchild=1&keywords=leveling+base&qid=1627569783&s=electronics&sr=1-29](https://www.amazon.com/Acratech-Leveling-Standard-Tripod-Heads/dp/B000VACI0Y/ref=sr_1_29?dchild=1&keywords=leveling+base&qid=1627569783&s=electronics&sr=1-29)> (Year: 2003).\*

\* cited by examiner

*Primary Examiner* — Katherine Glennon

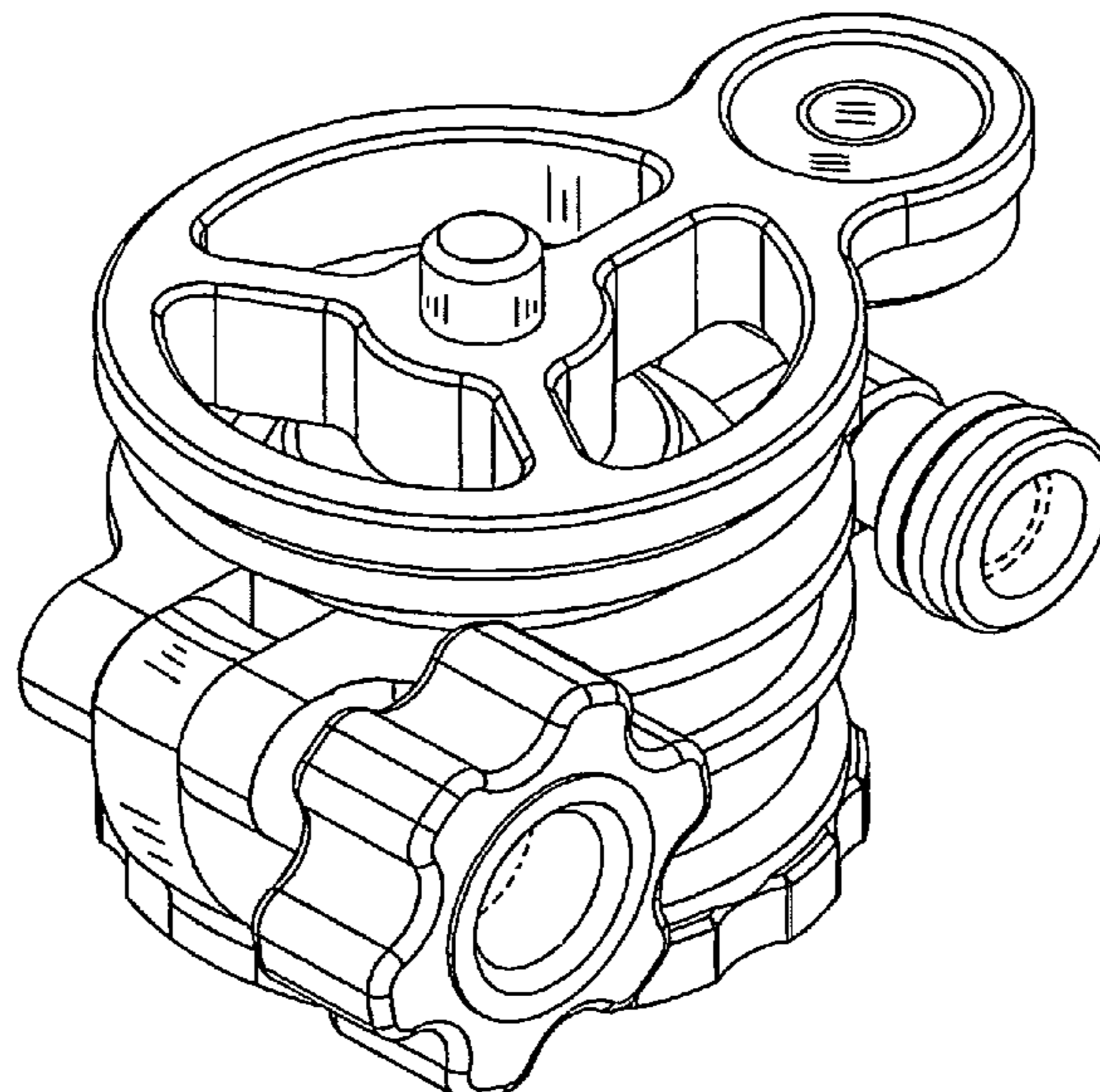
(57) **CLAIM**

The ornamental design for a leveling base, as shown and described.

**DESCRIPTION**

FIG. 1 is a perspective view of a leveling base showing my new design;  
FIG. 2 is a front elevation view thereof;  
FIG. 3 is a rear elevation view thereof;  
FIG. 4 is a left side elevation view thereof;  
FIG. 5 is a right side elevation view thereof;  
FIG. 6 is a top plan view thereof;  
FIG. 7 is a bottom plan view thereof; and,  
FIG. 8 is a bottom perspective view thereof.  
The broken lines depict portions of the leveling base that form no part of the claimed design.

**1 Claim, 7 Drawing Sheets**



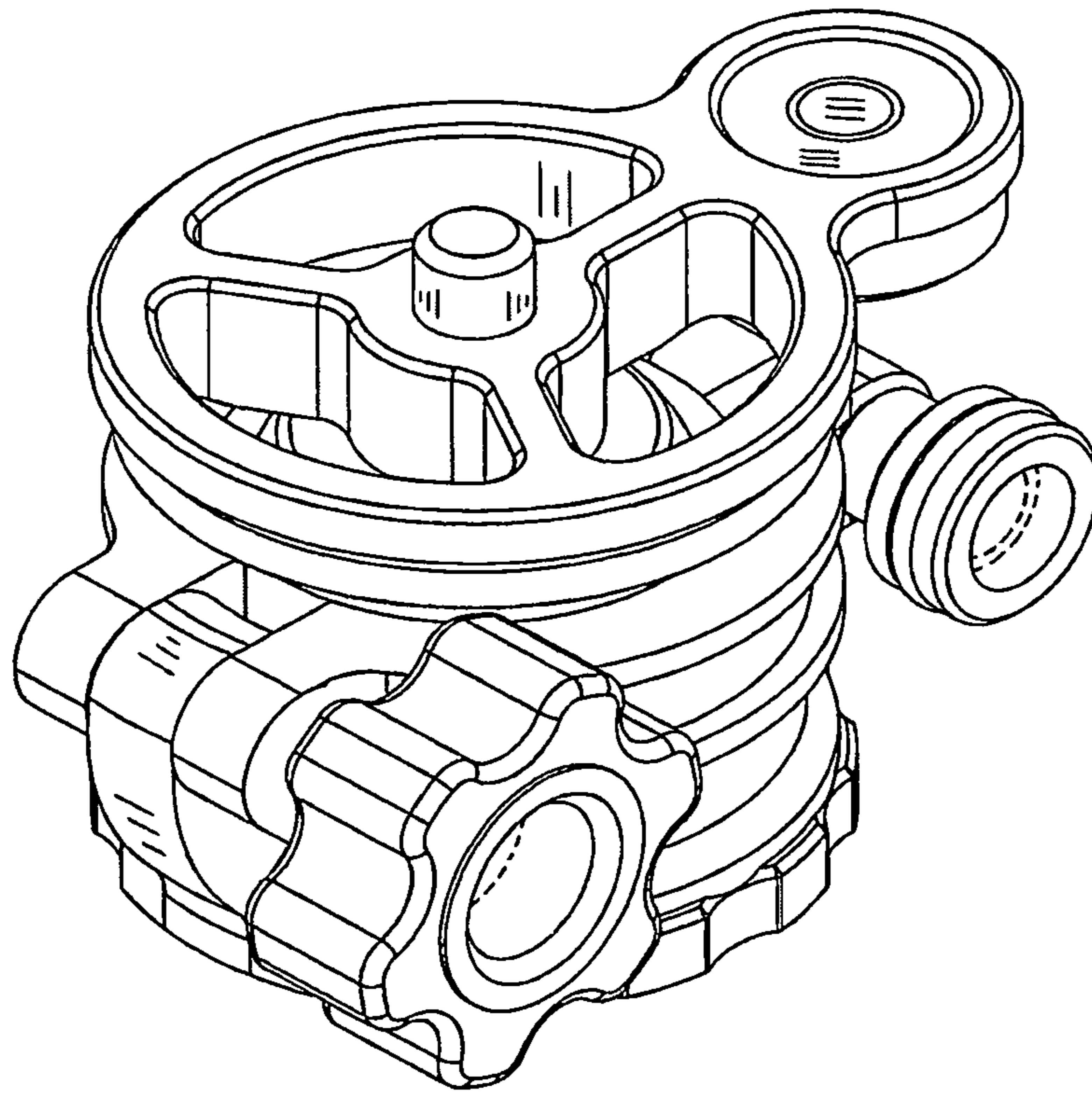


FIG. 1

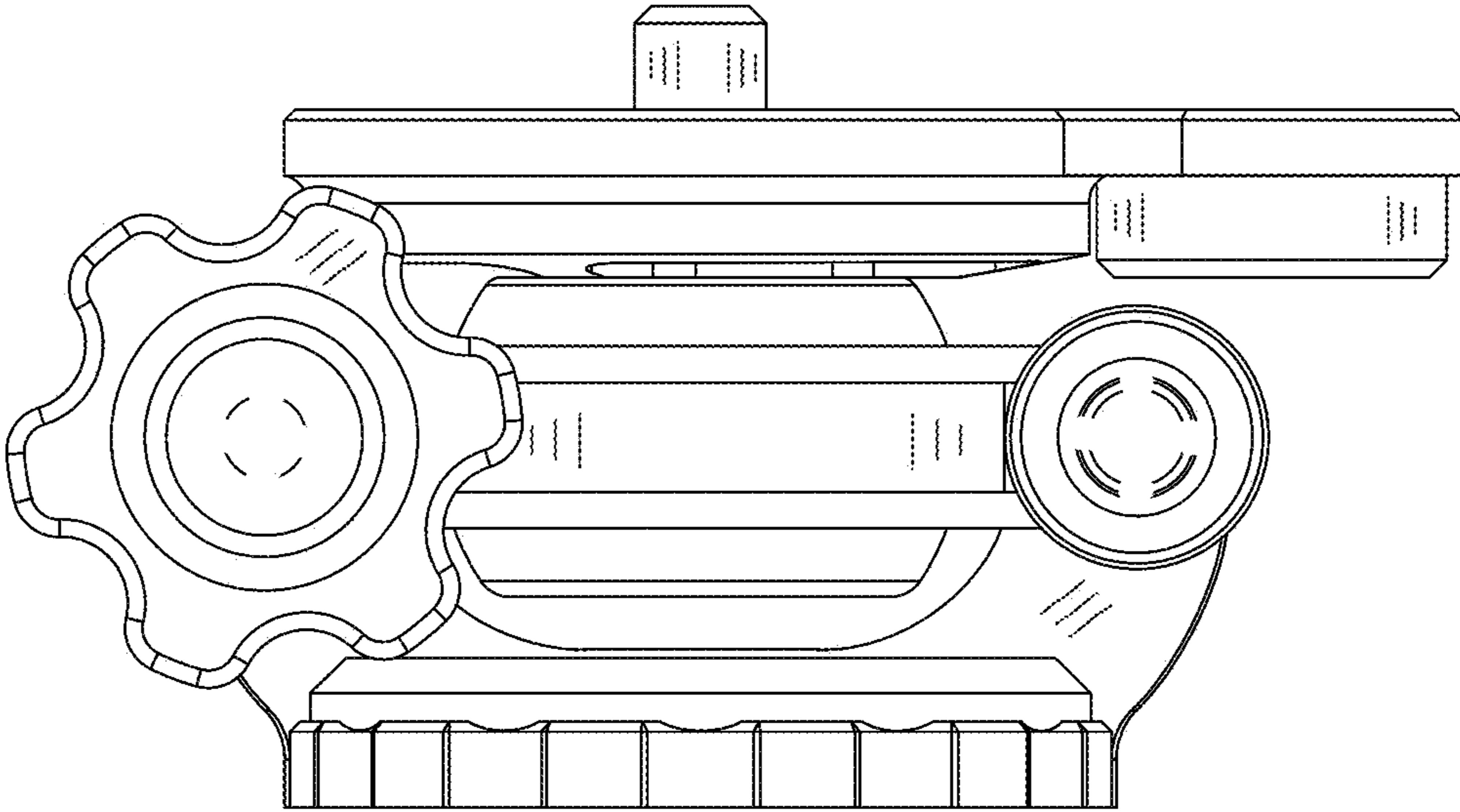


FIG. 2

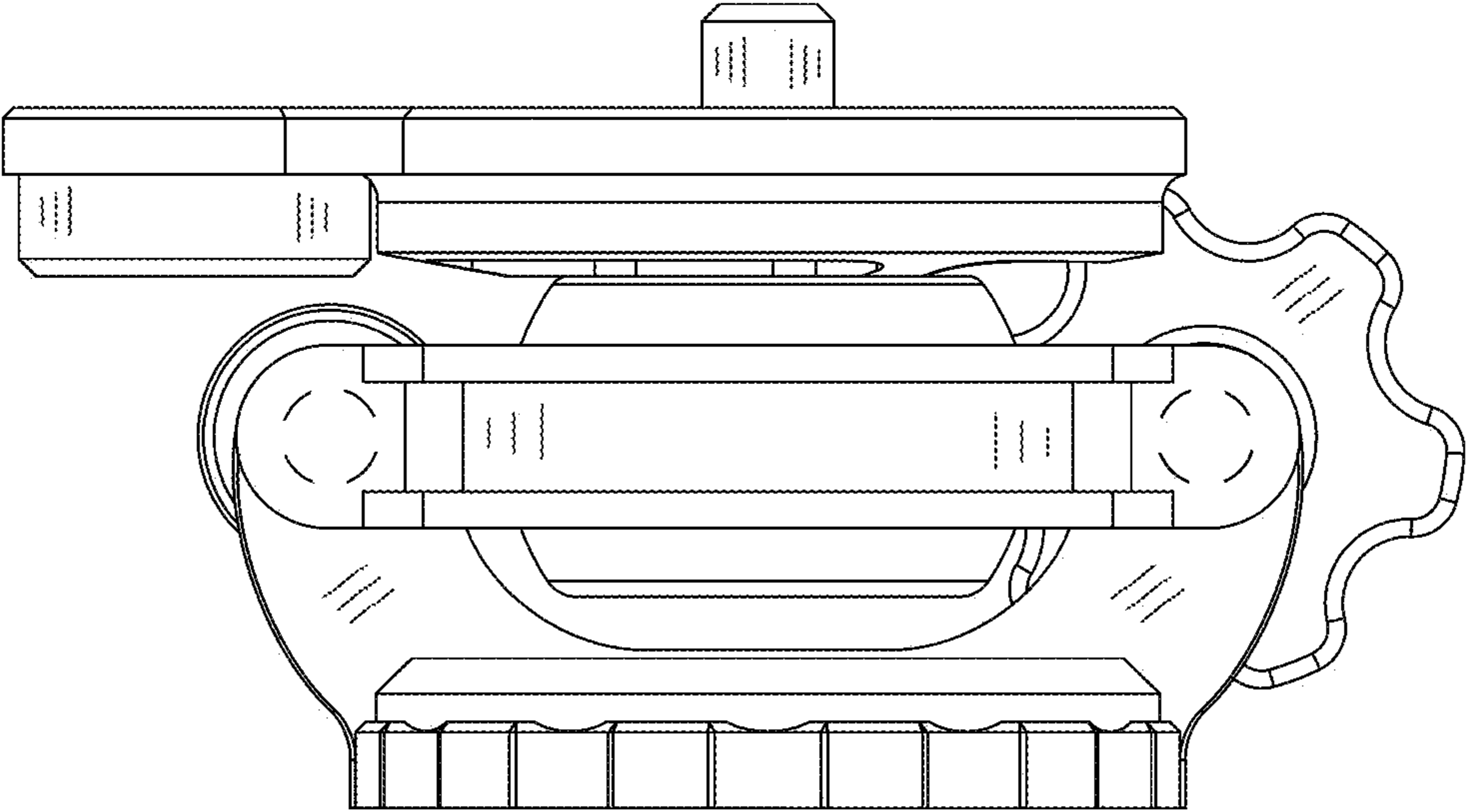


FIG. 3

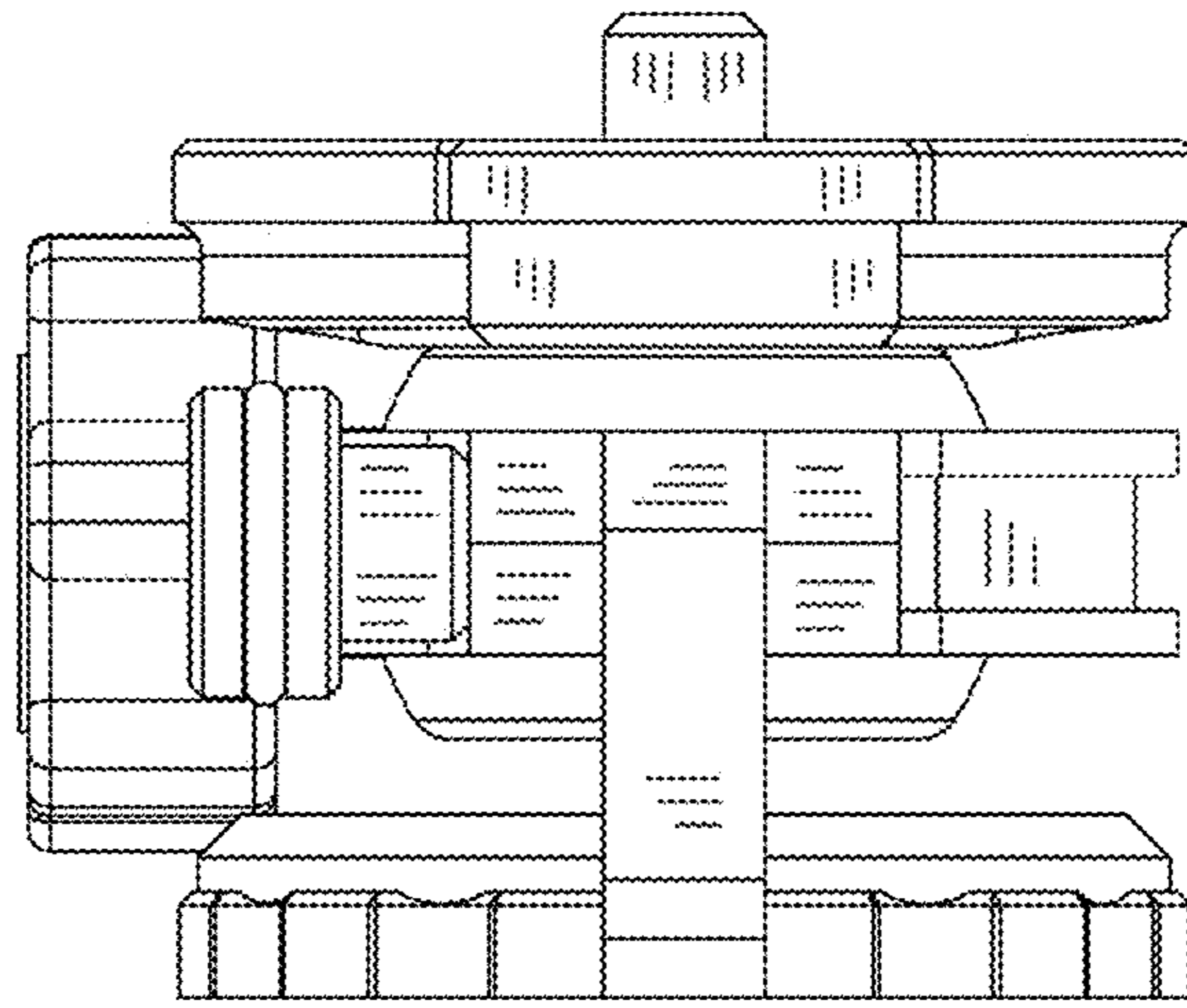


FIG. 4

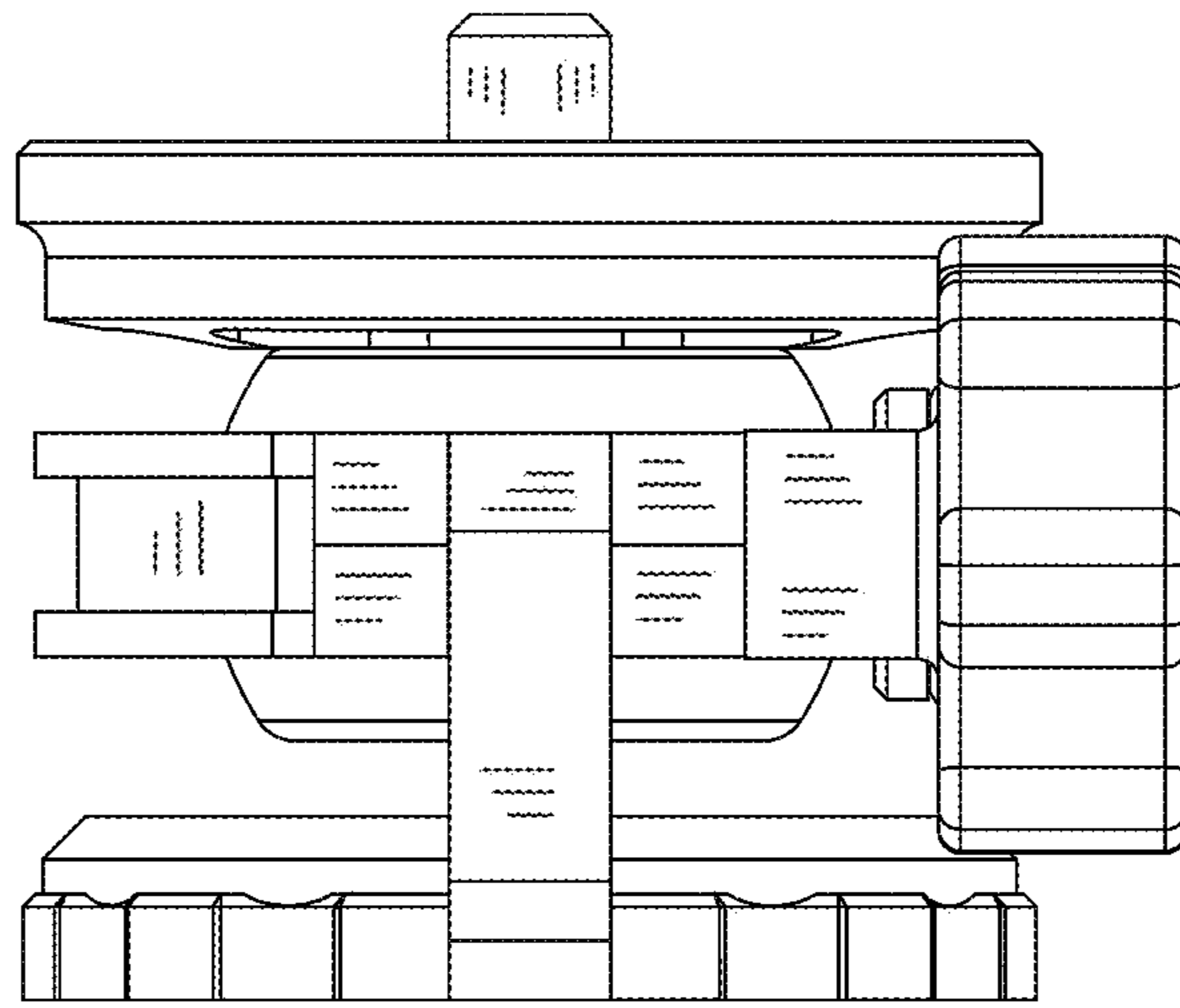


FIG. 5

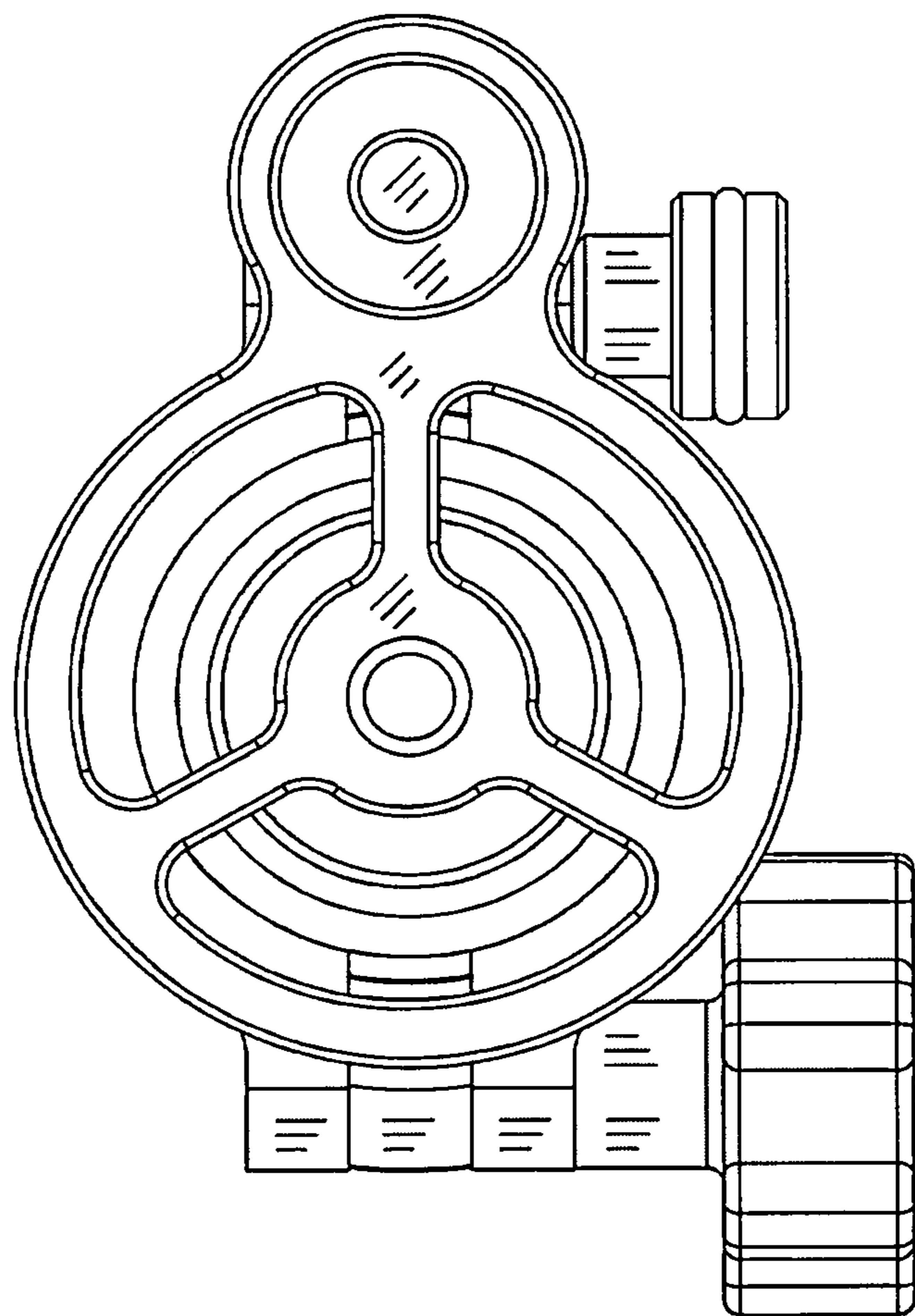


FIG. 6

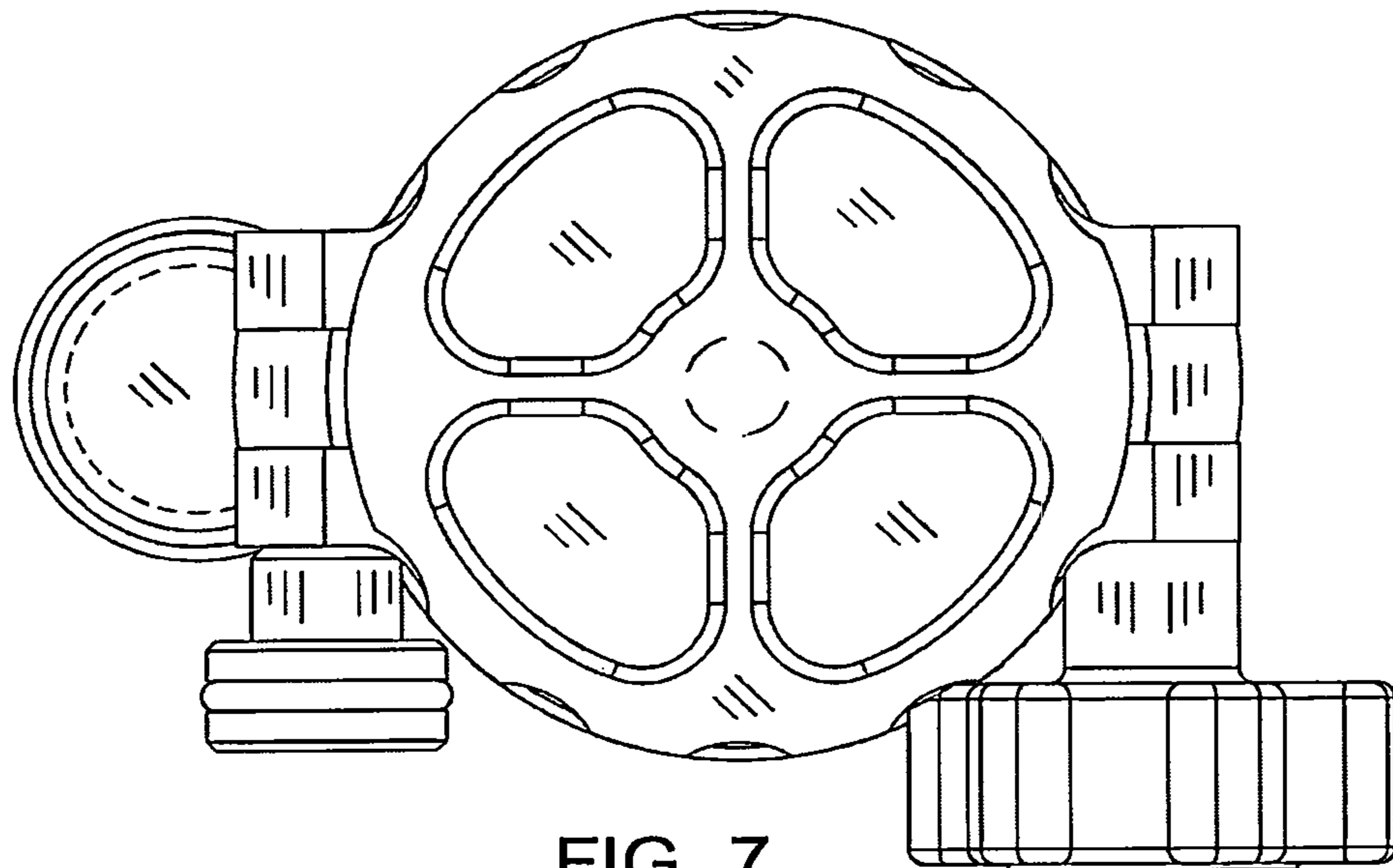


FIG. 7

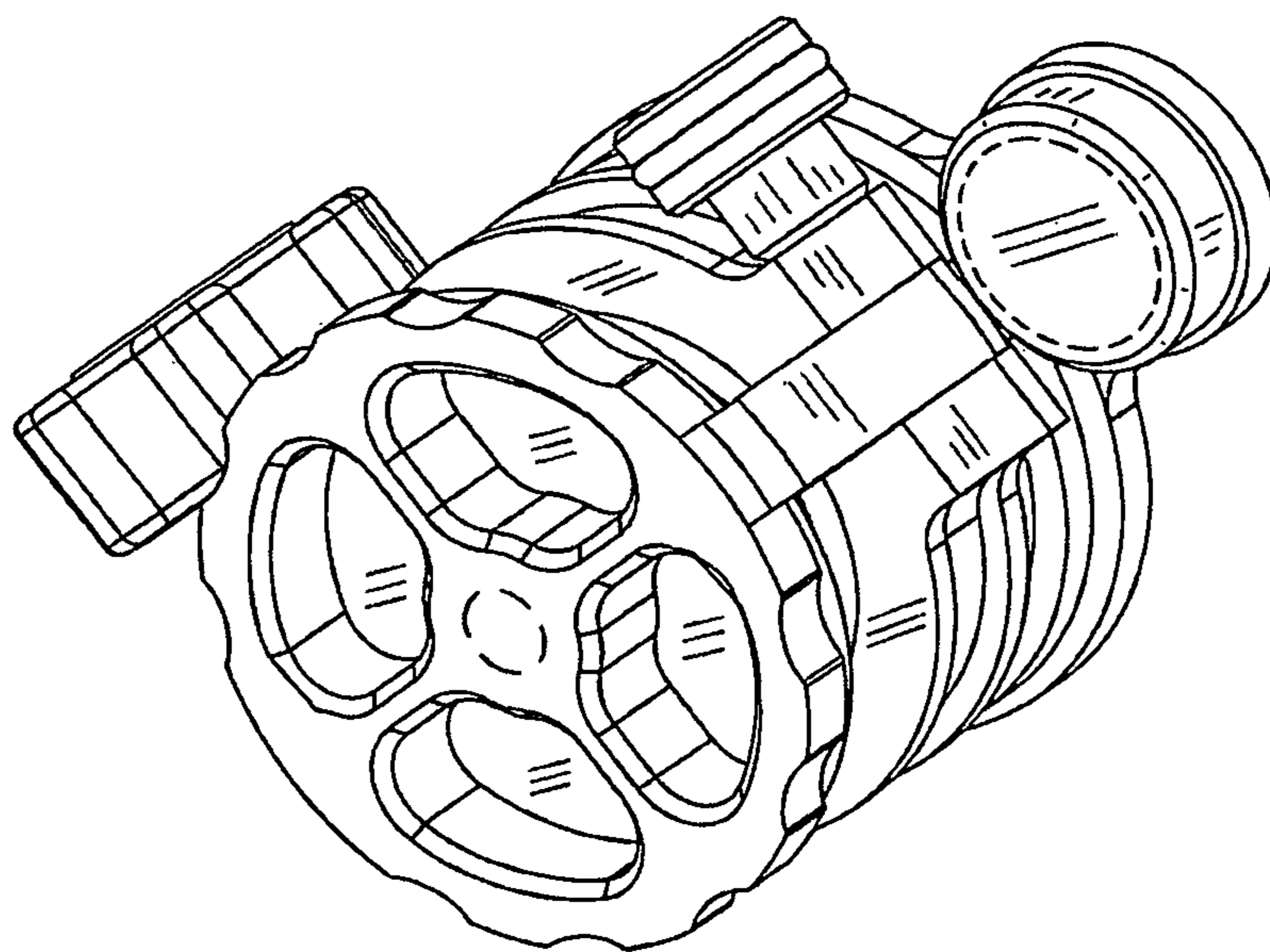


FIG. 8