



US00D957273S

(12) **United States Design Patent**
Hu

(10) **Patent No.:** **US D957,273 S**

(45) **Date of Patent:** **** Jul. 12, 2022**

(54) **GPS TRACKER**

(71) Applicant: **Zhongping Hu**, Hunan (CN)

(72) Inventor: **Zhongping Hu**, Hunan (CN)

(**) Term: **15 Years**

(21) Appl. No.: **29/759,559**

(22) Filed: **Nov. 24, 2020**

(51) **LOC (13) Cl.** **10-04**

(52) **U.S. Cl.**
USPC **D10/65**

(58) **Field of Classification Search**
USPC D10/81, 75, 65, 70, 78, 104.1, 74, 106.9,
D10/104.2, 21; D14/238, 217, 188, 358,
D14/341, 144, 137, 138 R, 252, 230, 454,
D14/348, 299
CPC G08B 21/08; G01R 31/36; G01R 31/385;
G01P 3/50; G01L 7/084; G01K 11/20
See application file for complete search history.

(56) **References Cited**

U.S. PATENT DOCUMENTS

D406,071 S *	2/1999	Dawson	D10/65
D467,824 S *	12/2002	Svendsen	D10/65
D492,607 S *	7/2004	Curkovic	D10/104.1
D521,401 S *	5/2006	Bohne	D10/70
D533,794 S *	12/2006	Bowman	D10/65
D537,742 S *	3/2007	Escorcia	D10/70
D542,678 S *	5/2007	Miller	D10/65
D570,233 S *	6/2008	Levinson	D10/65
D570,718 S *	6/2008	Morris	D10/78
D582,806 S *	12/2008	Schmid-Schweiger	D10/65
D601,255 S *	9/2009	Schvetz	D24/169
D686,929 S *	7/2013	Rainer	D10/81
D730,223 S *	5/2015	Behar	D10/70
D730,224 S *	5/2015	Behar	D10/70
D763,106 S *	8/2016	Nuzzo	D10/70
D778,743 S *	2/2017	Kuo	D10/65
D792,252 S *	7/2017	Garner	D10/75

D797,584 S *	9/2017	Venth	D10/70
D833,897 S *	11/2018	Simpson	D10/104.1
D836,472 S *	12/2018	Zhiyuan	D10/70
D839,109 S *	1/2019	Janse	D10/70
D846,415 S *	4/2019	Henssler	D10/78
D894,023 S *	8/2020	Barber	D10/70
D918,072 S *	5/2021	Umair	D10/70
D936,504 S *	11/2021	Dick	D10/70
D936,505 S *	11/2021	Umair	D10/70

OTHER PUBLICATIONS

Tkstar 4g gps tracker car vehicle tracking device magnetic, Gumtree, posting date Feb. 15, 2022, (online) URL: <https://www.gumtree.com.au/s-ad/dandenong/audio-gps-car-alarms/tkstar-4g-gps-tracker-car-vehicle-tracking-device-magnetic-alarm-realt/1290470271> (Year: 2022).*

* cited by examiner

Primary Examiner — L. A. Grabenstetter
Assistant Examiner — Antoinette Martine Suiter

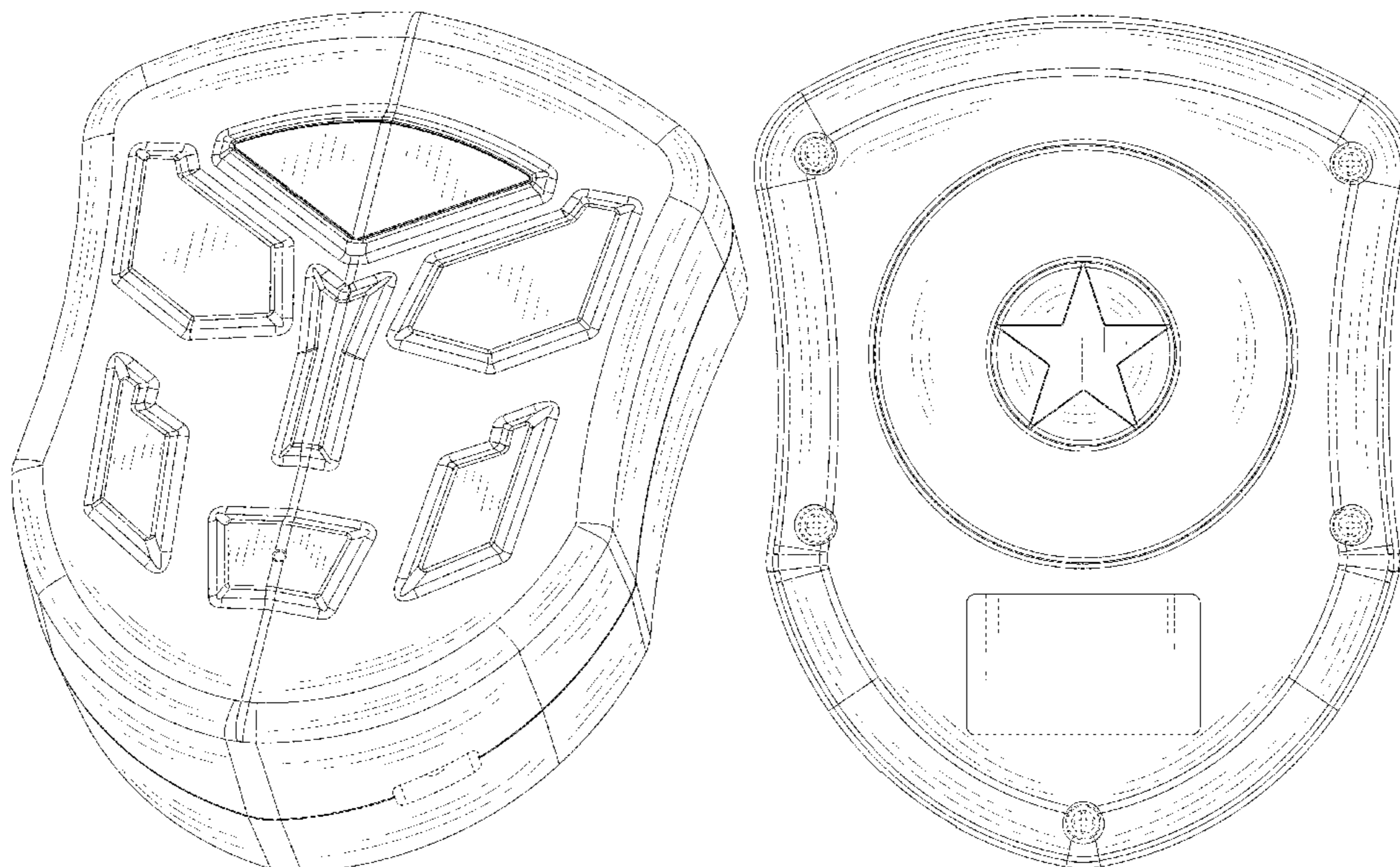
(57) **CLAIM**

The ornamental design for a GPS tracker, as shown and described.

DESCRIPTION

FIG. 1 is a perspective view of a GPS tracker showing my new design;
FIG. 2 is a front elevational view thereof;
FIG. 3 is a rear elevational view thereof;
FIG. 4 is a left side elevational view thereof;
FIG. 5 is a right side elevational view thereof;
FIG. 6 is a top plan view thereof;
FIG. 7 is a bottom plan view thereof; and,
FIG. 8 is a rear, left, bottom side perspective view thereof.
The broken lines in the drawings depict portions of the GPS tracker that form no part of the claimed design.

1 Claim, 8 Drawing Sheets



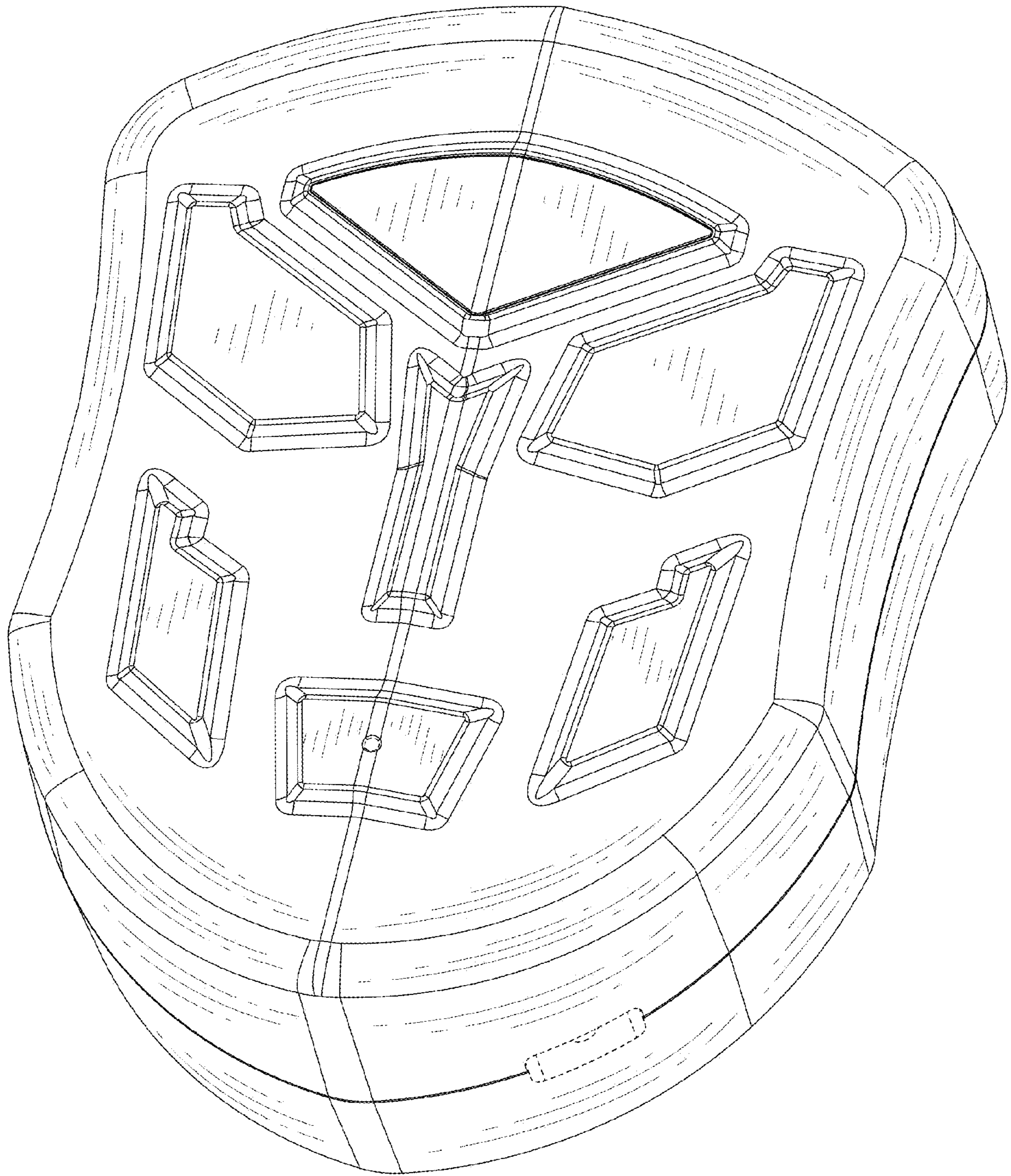


FIG. 1

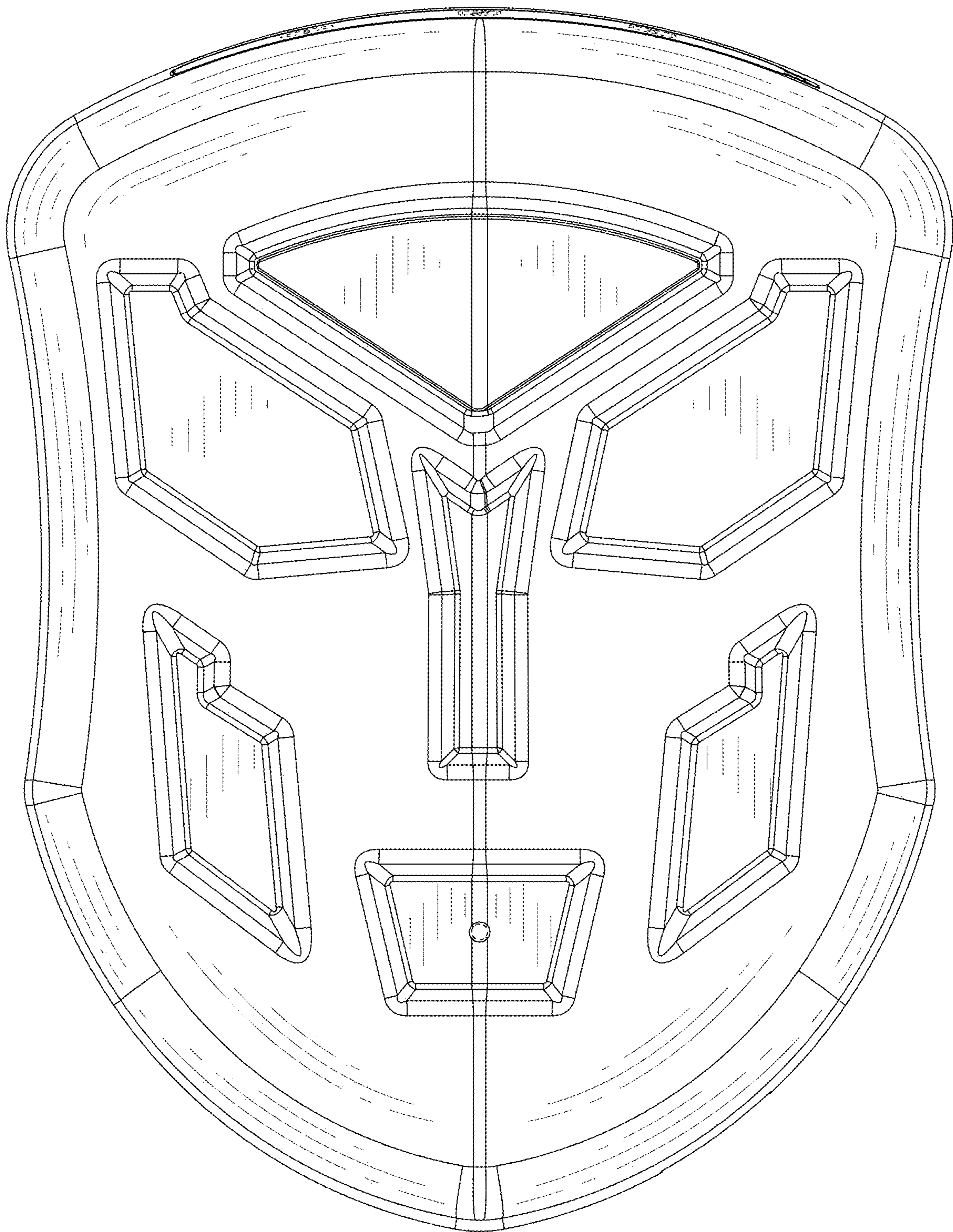


FIG. 2

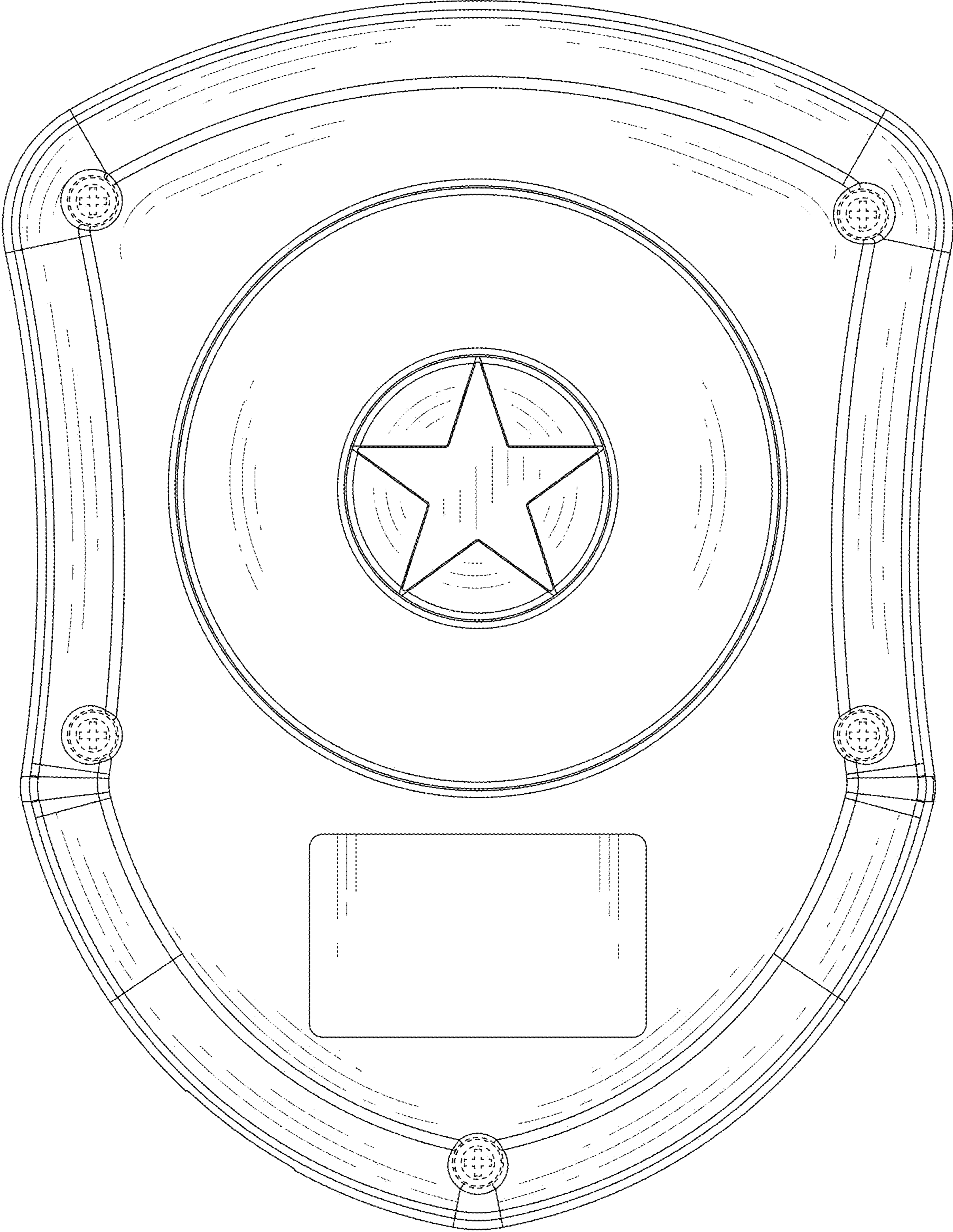


FIG. 3

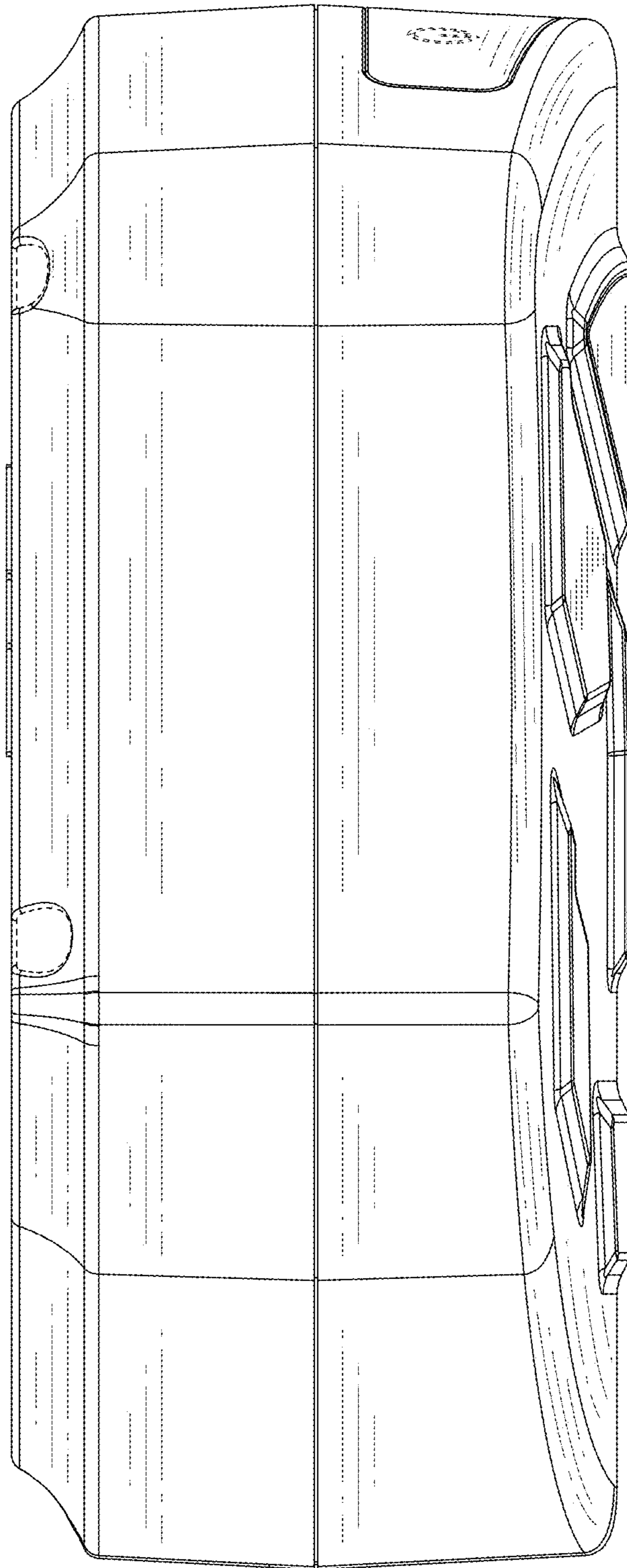


FIG. 4

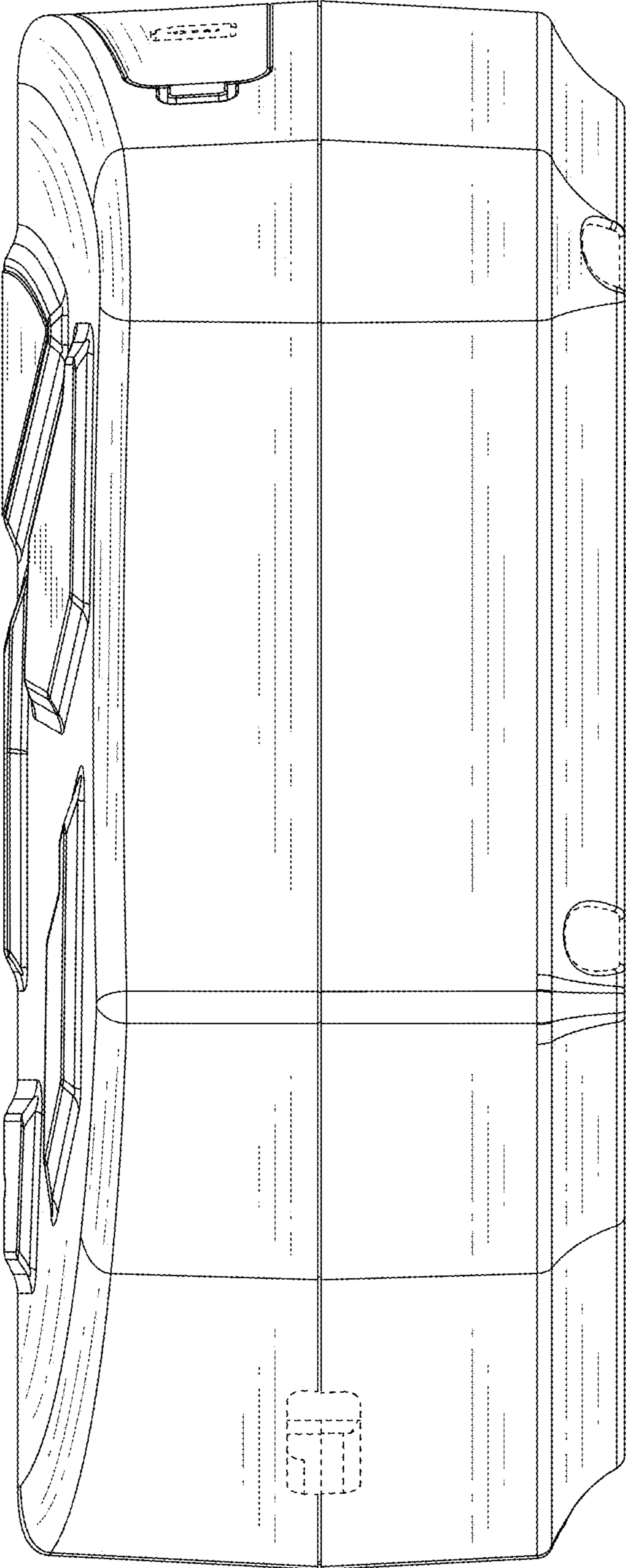


FIG. 5

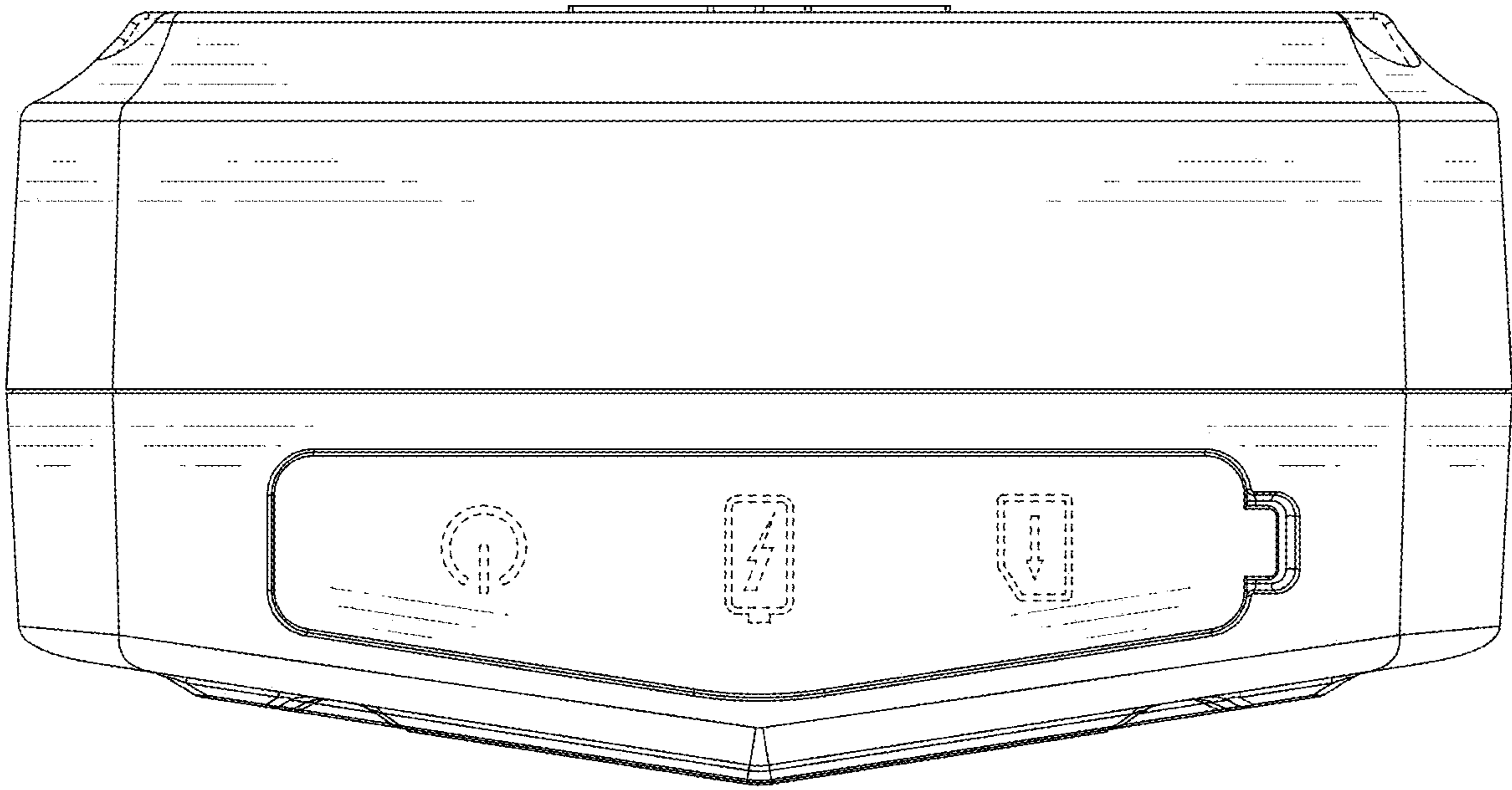


FIG. 6

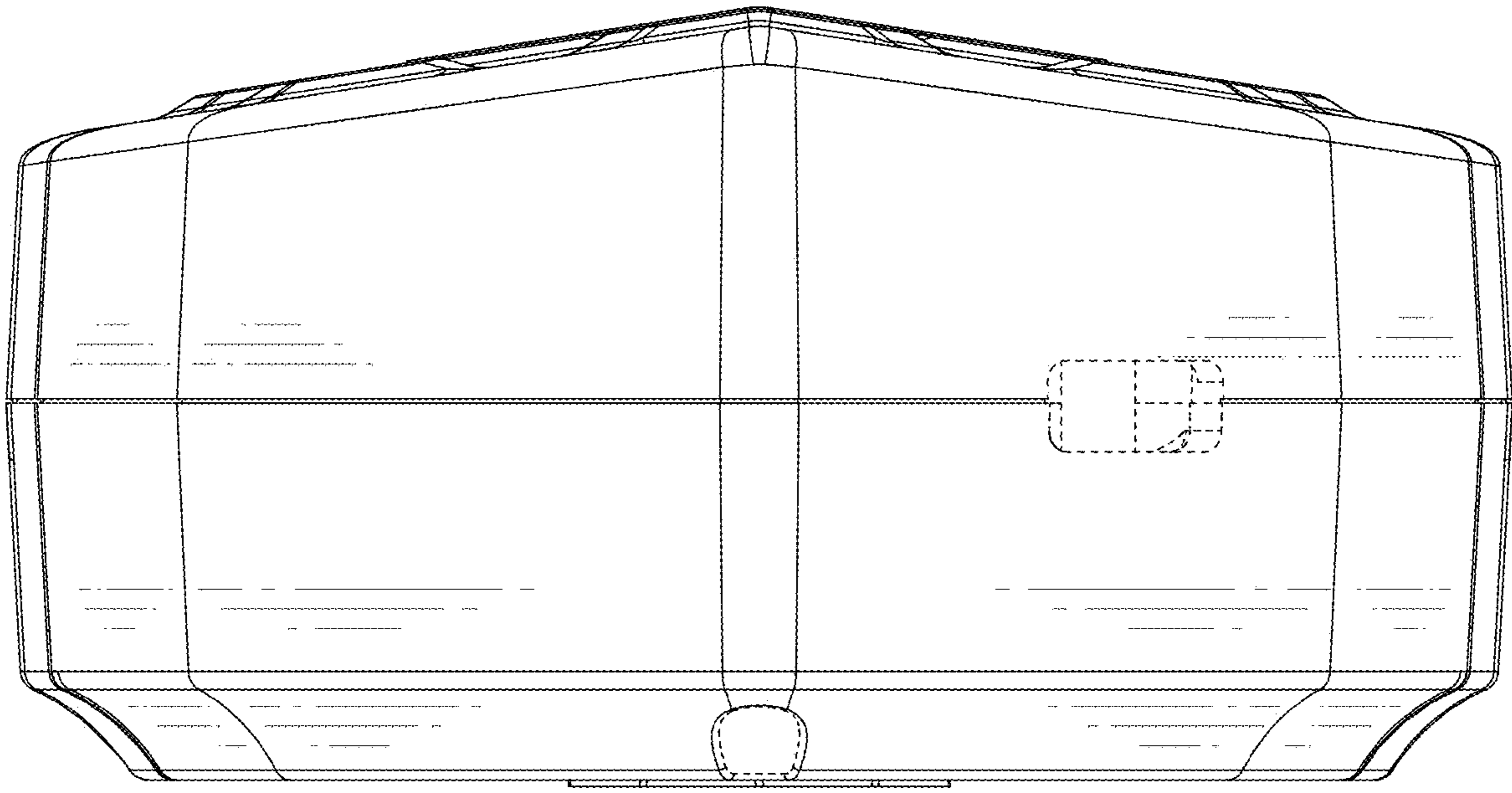


FIG. 7

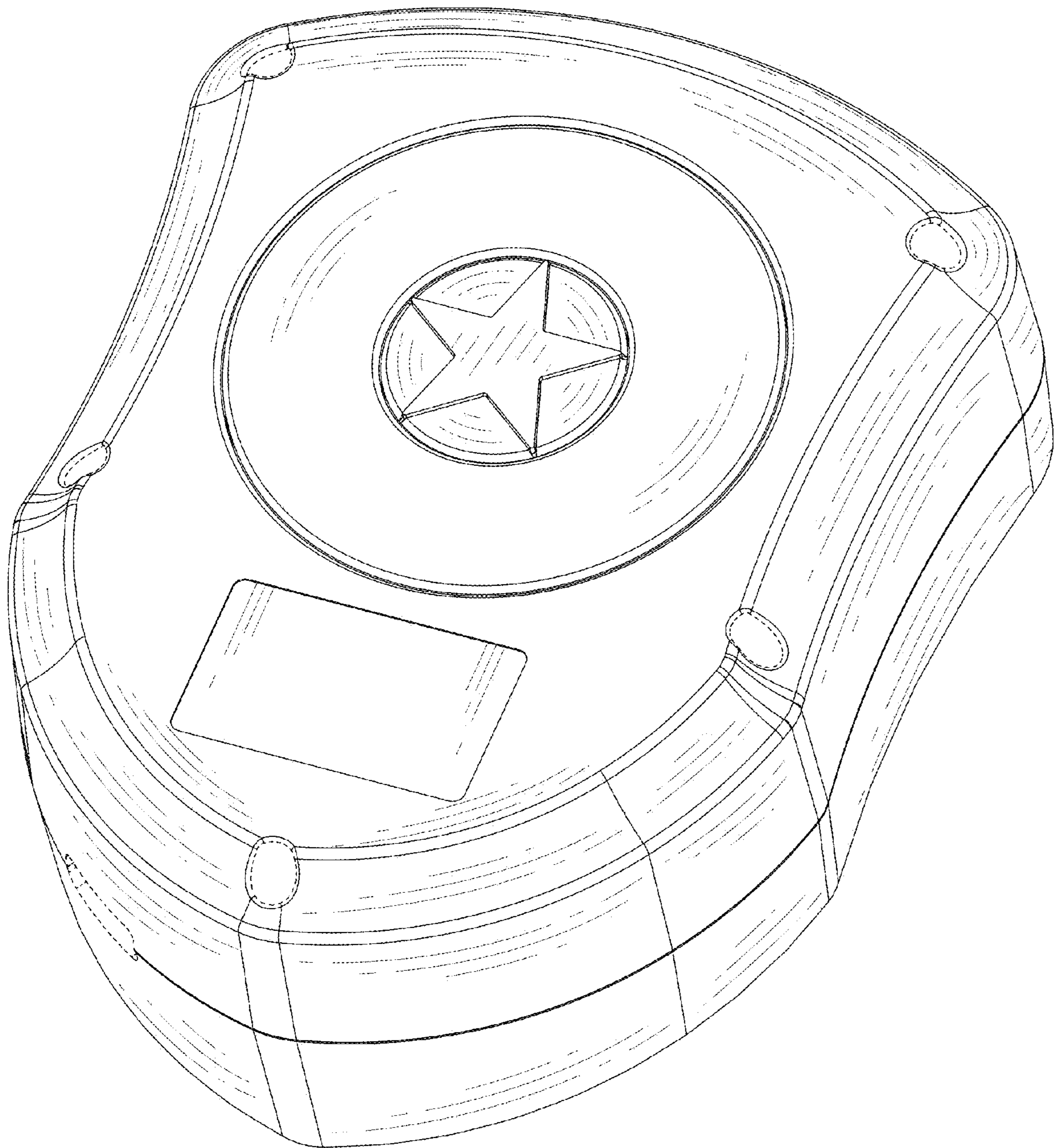


FIG. 8