



US00D957272S

(12) **United States Design Patent**
Guilliard

(10) **Patent No.:** **US D957,272 S**
(45) **Date of Patent:** **** Jul. 12, 2022**

(54) **TEMPERATURE GAUGE, HYGROMETER,
OR LUX METER**

(71) Applicant: **Stego-Holding GmbH**, Schwaebisch
Hall (DE)

(72) Inventor: **Dietmar Guilliard**,
Mainhardt-Gailsbach (DE)

(**) Term: **15 Years**

(21) Appl. No.: **35/510,694**

(22) Filed: **May 6, 2020**

(80) **Hague Agreement Data**

Int. Filing Date: **May 6, 2020**

Int. Reg. No.: **DM/209092**

Int. Reg. Date: **May 6, 2020**

Int. Reg. Pub. Date: **Nov. 6, 2020**

(30) **Foreign Application Priority Data**

Nov. 25, 2019 (DE) 402019101284

(51) **LOC (13) Cl.** **10-04**

(52) **U.S. Cl.**
USPC **D10/52**

(58) **Field of Classification Search**
USPC D10/50, 56-57, 52-53; D13/151, 145,
D13/146, 108, 133
See application file for complete search history.

(56) **References Cited**

U.S. PATENT DOCUMENTS

D297,514 S * 9/1988 Zurawski D10/56
D411,807 S * 7/1999 Derr D10/53

D664,052 S * 7/2012 High D10/57
D750,507 S * 3/2016 Ross, Jr. D10/60
D774,453 S * 12/2016 Yoneta D13/108
D804,426 S * 12/2017 Watkins D13/151
D838,248 S * 1/2019 Youtsey D13/151
D858,317 S * 9/2019 Hu D10/53
D859,320 S * 9/2019 Corona D13/151
D863,990 S * 10/2019 Hu D10/52
D883,817 S * 5/2020 Gong D10/56
D896,106 S * 9/2020 Gong D10/56
D900,036 S * 10/2020 Wuester D13/146
D904,313 S * 12/2020 Delker D13/151
D924,143 S * 7/2021 Delker D13/133

* cited by examiner

Primary Examiner — George D. Kirschbaum

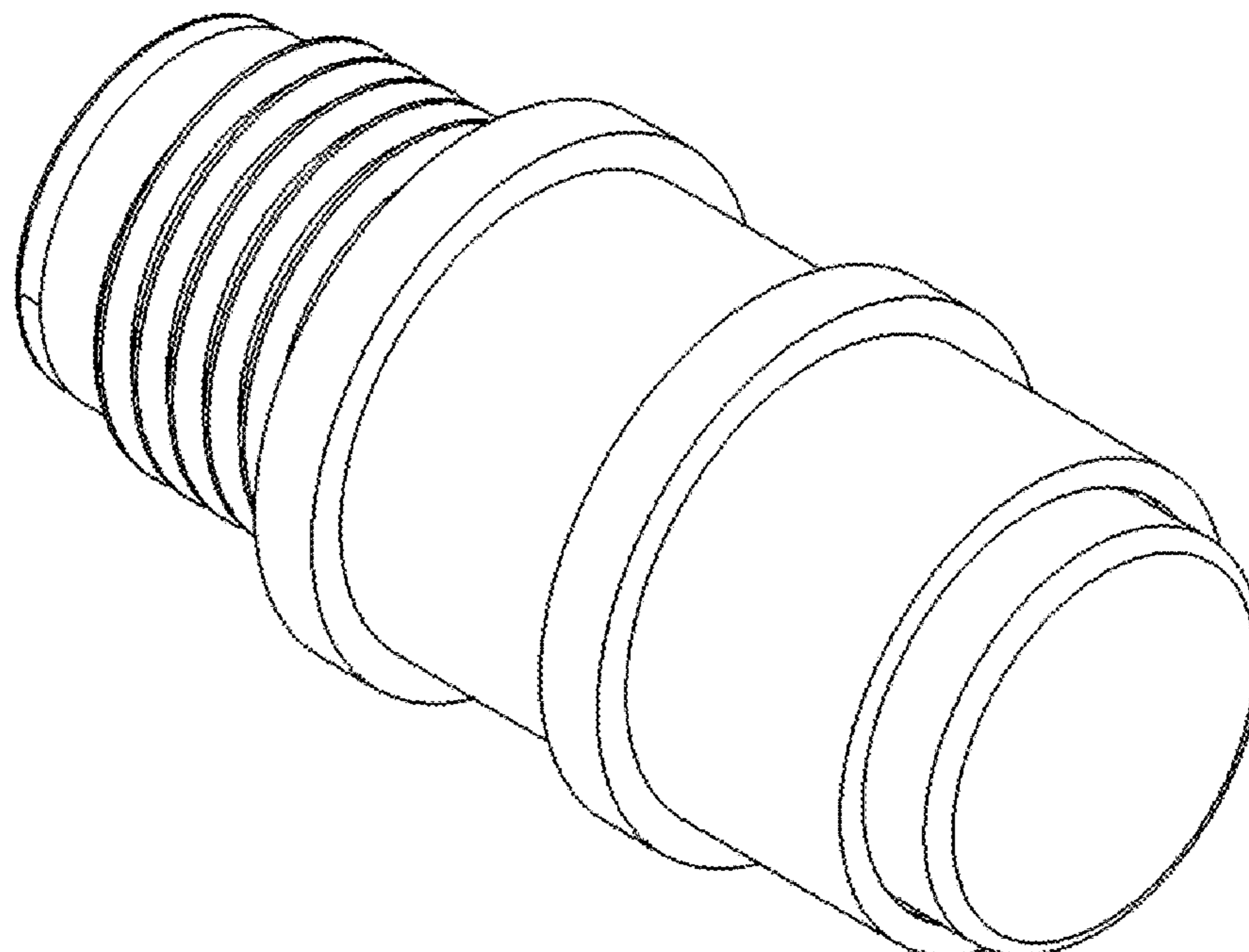
(57) **CLAIM**

The ornamental design for a temperature gauge, hygrometer,
or lux meter, as shown and described.

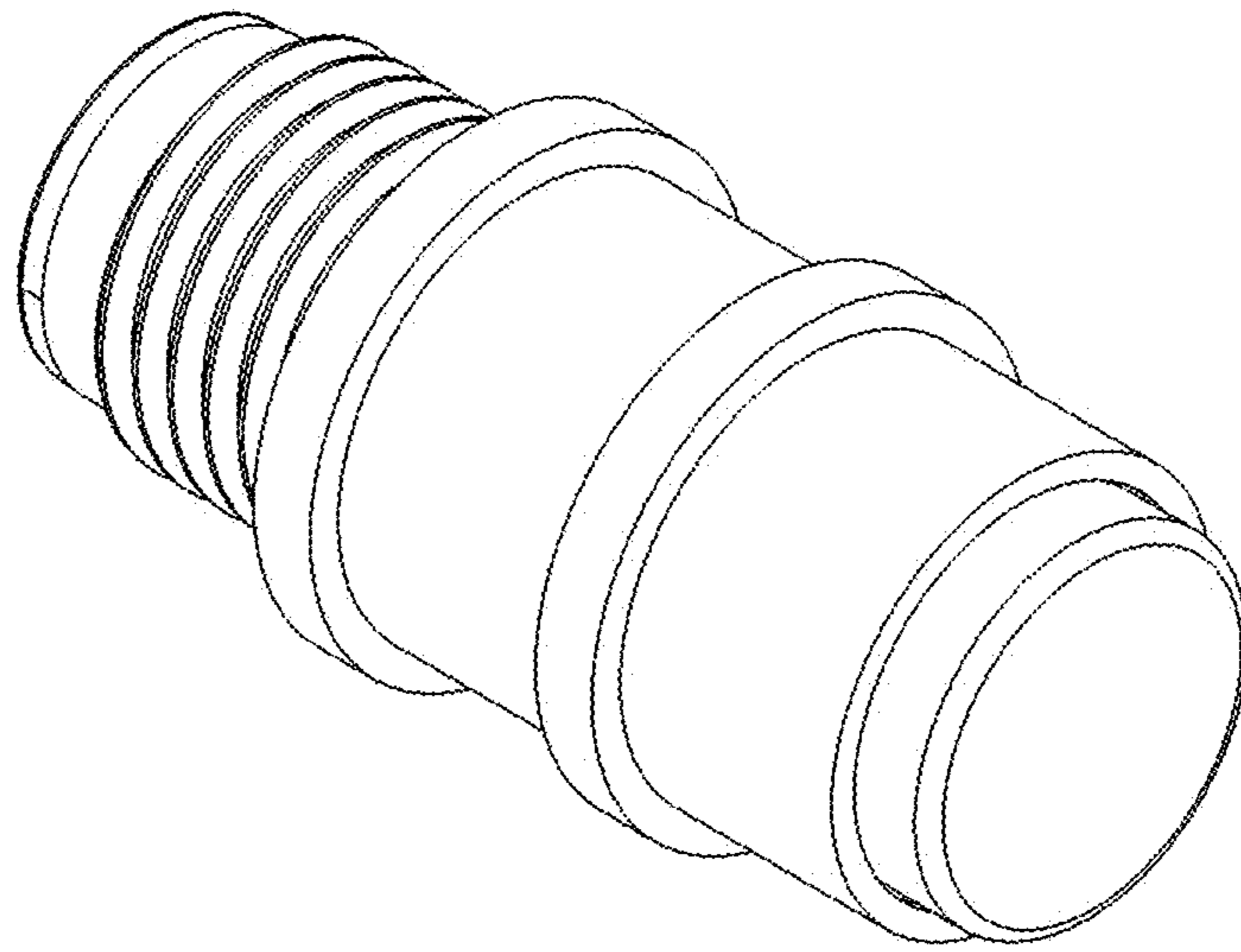
DESCRIPTION

- 1.1 is a front perspective view.
- 1.2 is a side plan view.
- 1.3 is a second side plan view.
- 1.4 is a third side plan view.
- 1.5 is a fourth side plan view.
- 1.6 is a front view.
- 1.7 is a rear view.
- 2.1 is a front perspective view.
- 2.2 is a side plan view.
- 2.3 is a second side plan view.
- 2.4 is a third side plan view.
- 2.5 is a fourth side plan view.
- 2.6 is a front view.
- 2.7 is a rear view.

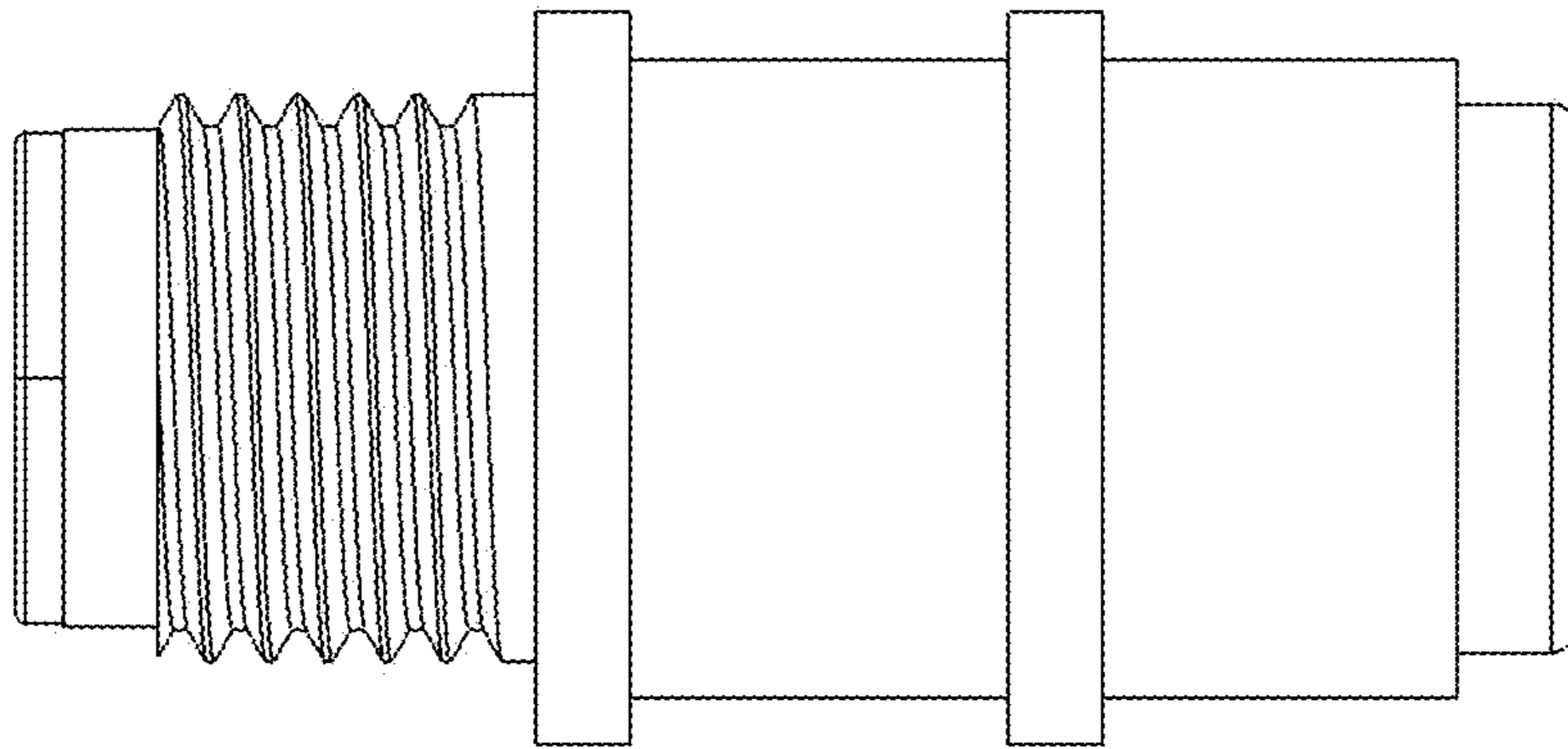
1 Claim, 14 Drawing Sheets



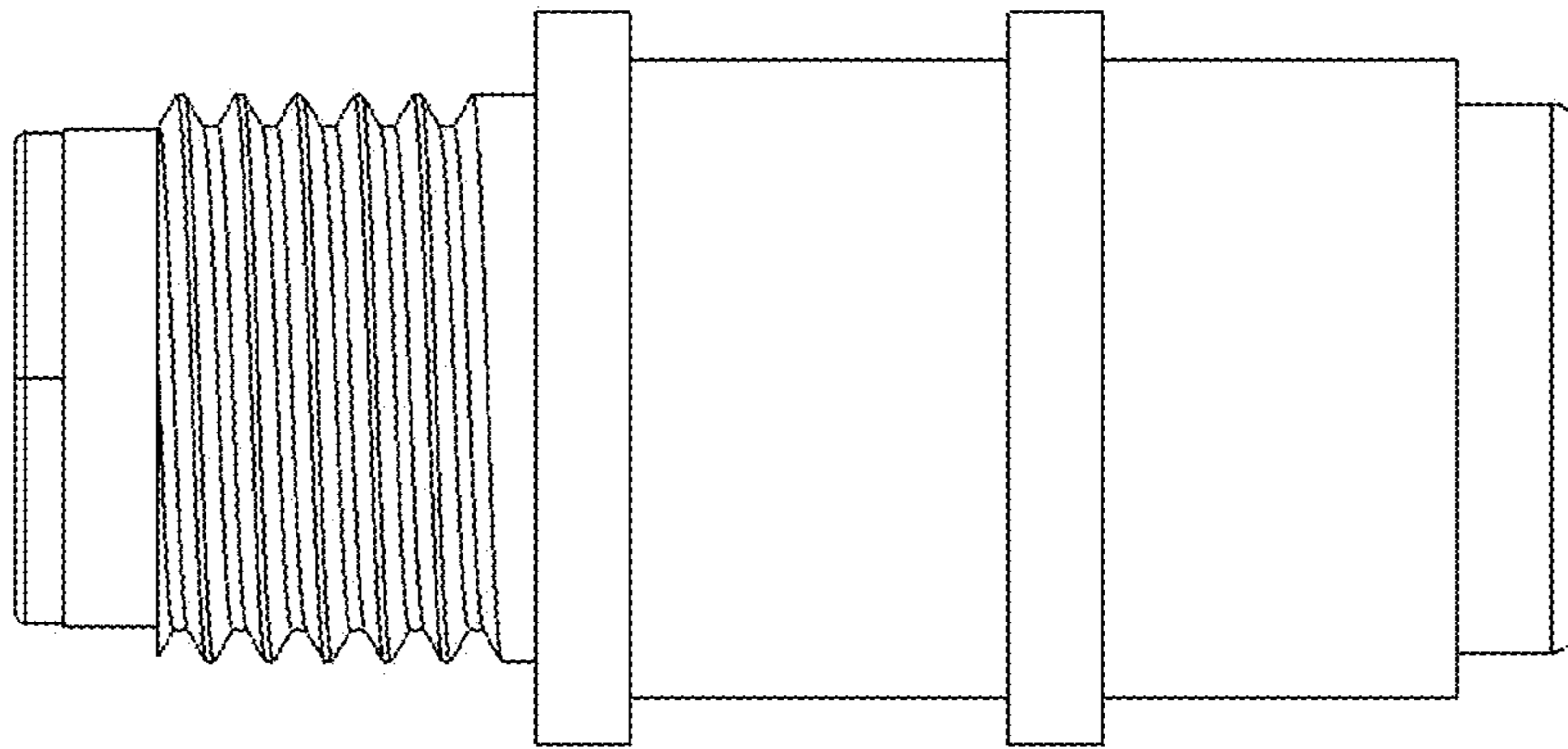
1.1



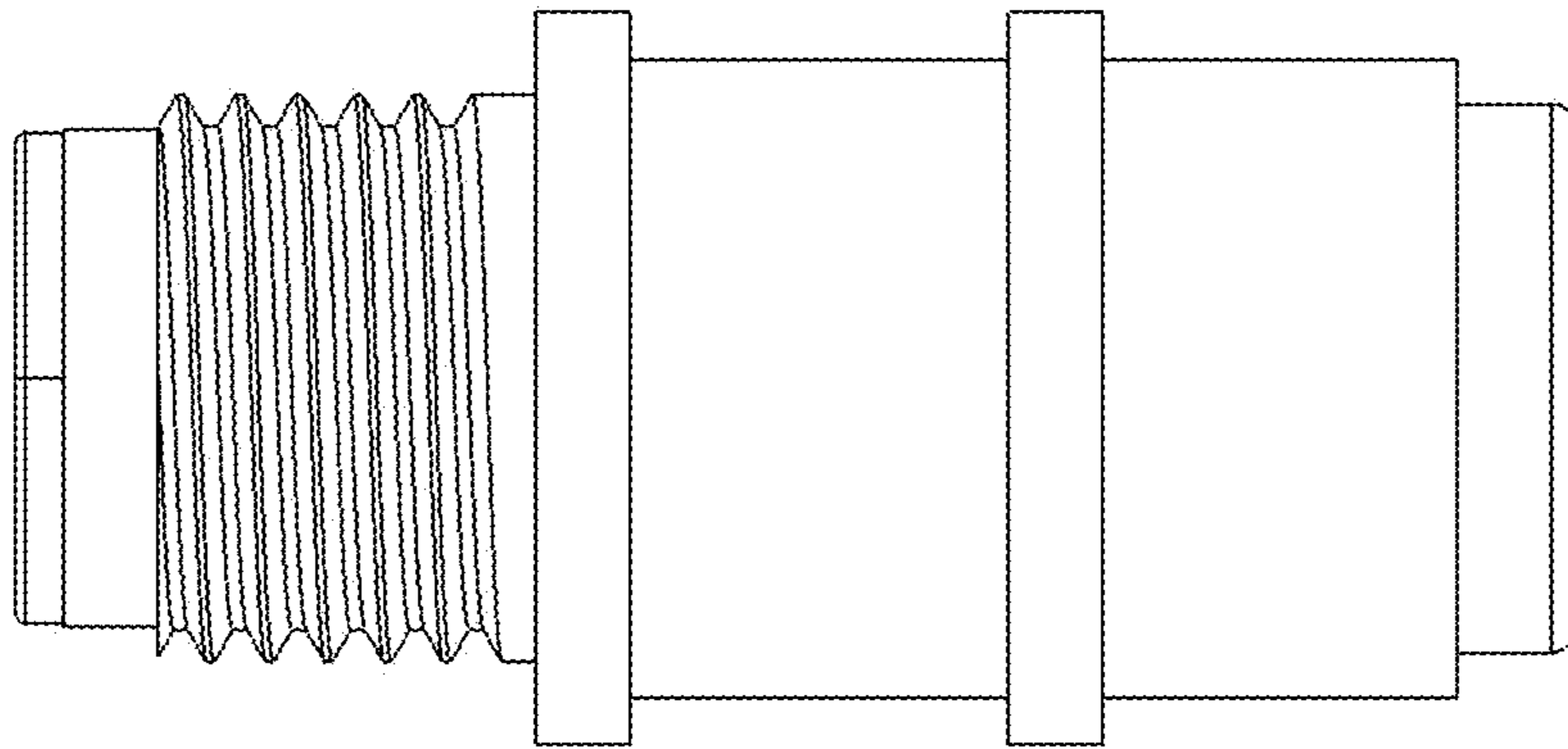
1.2



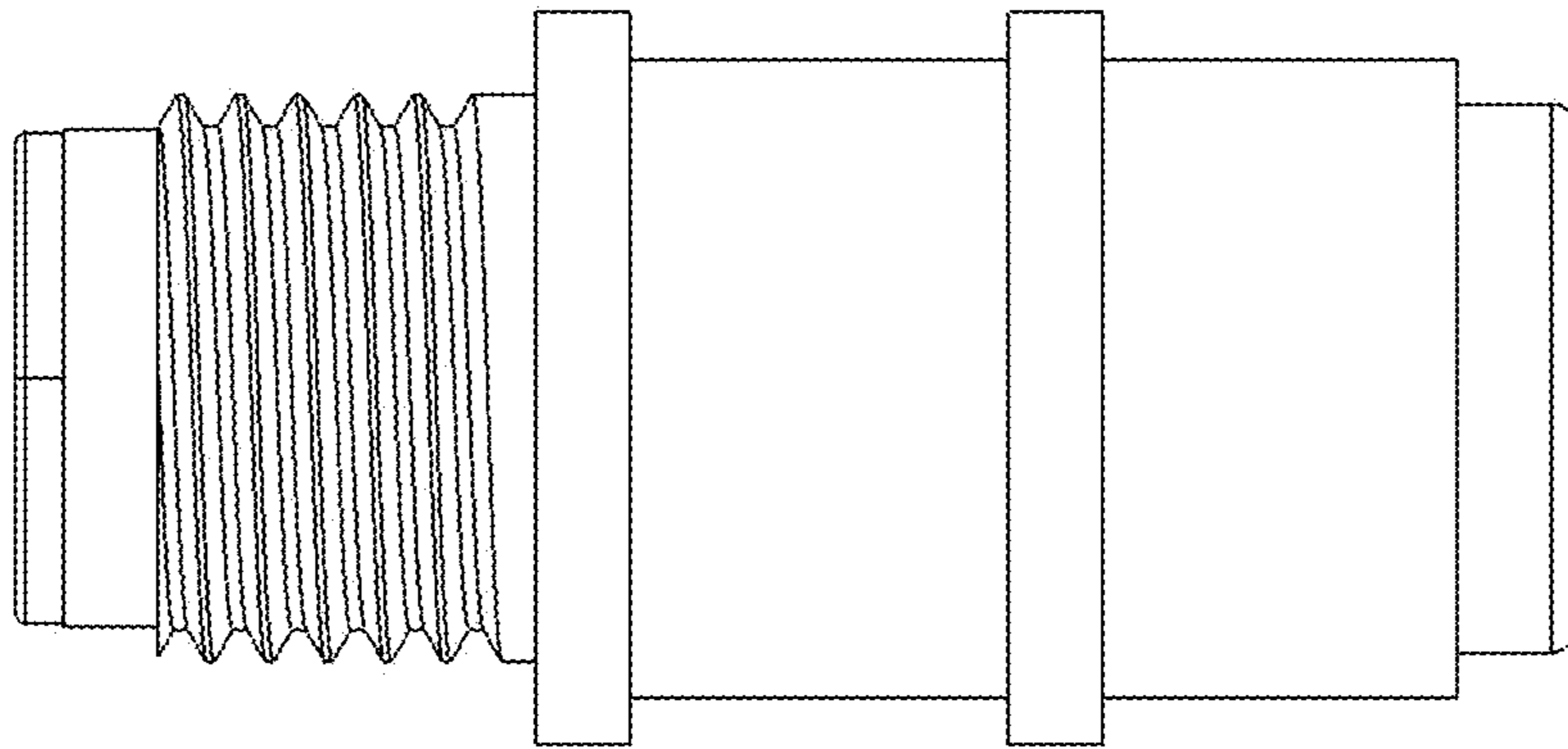
1.3



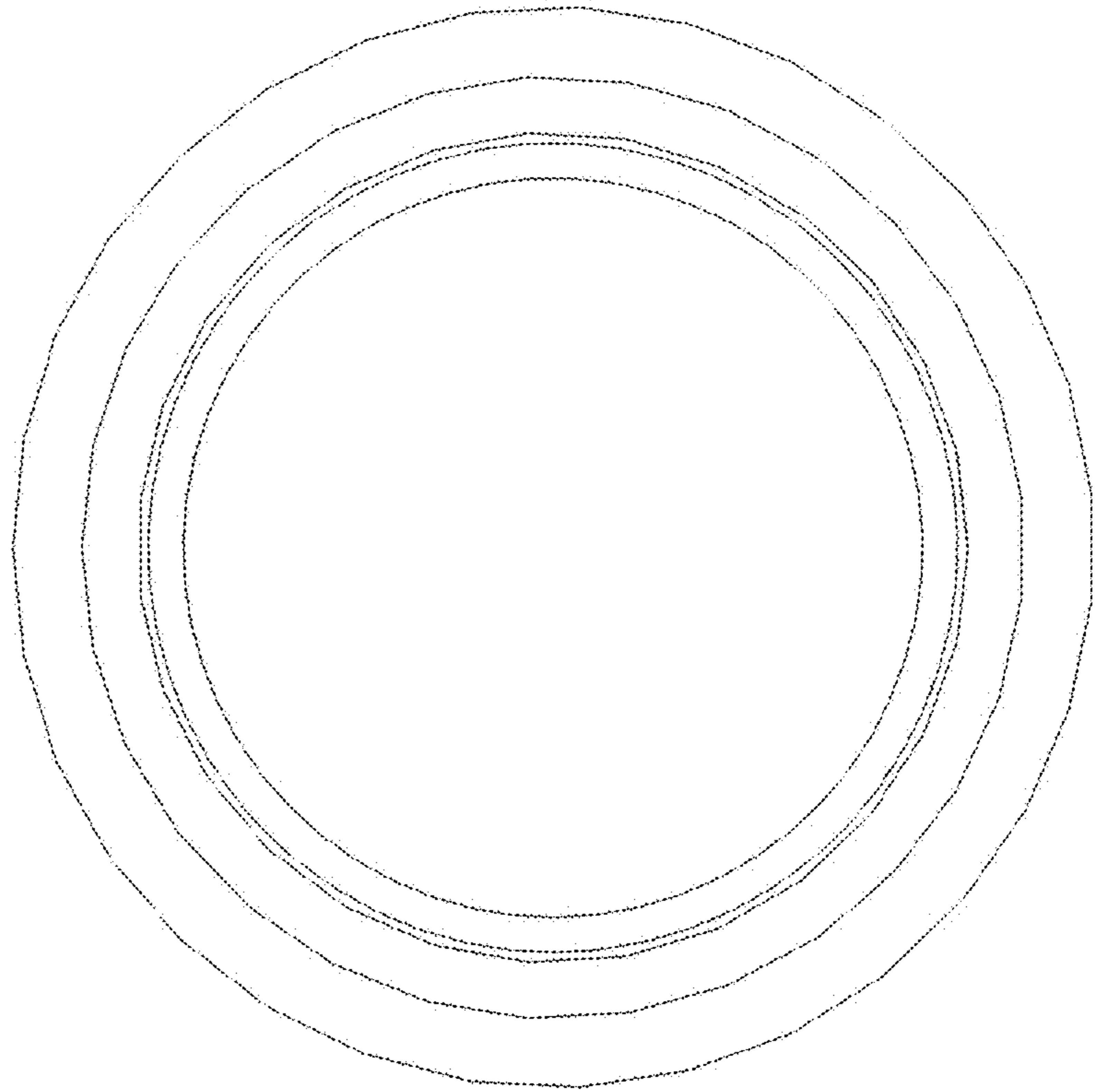
1.4



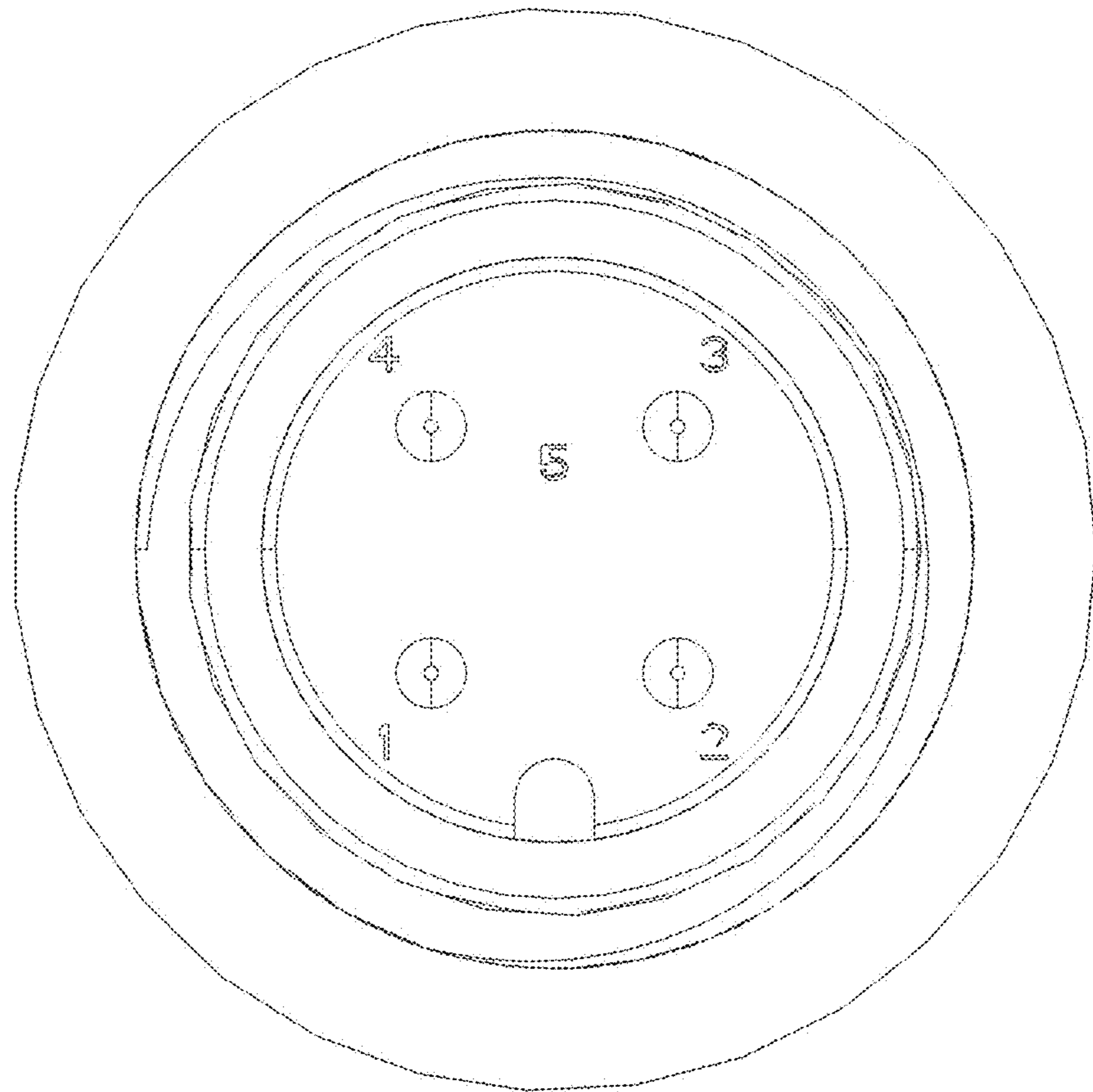
1.5



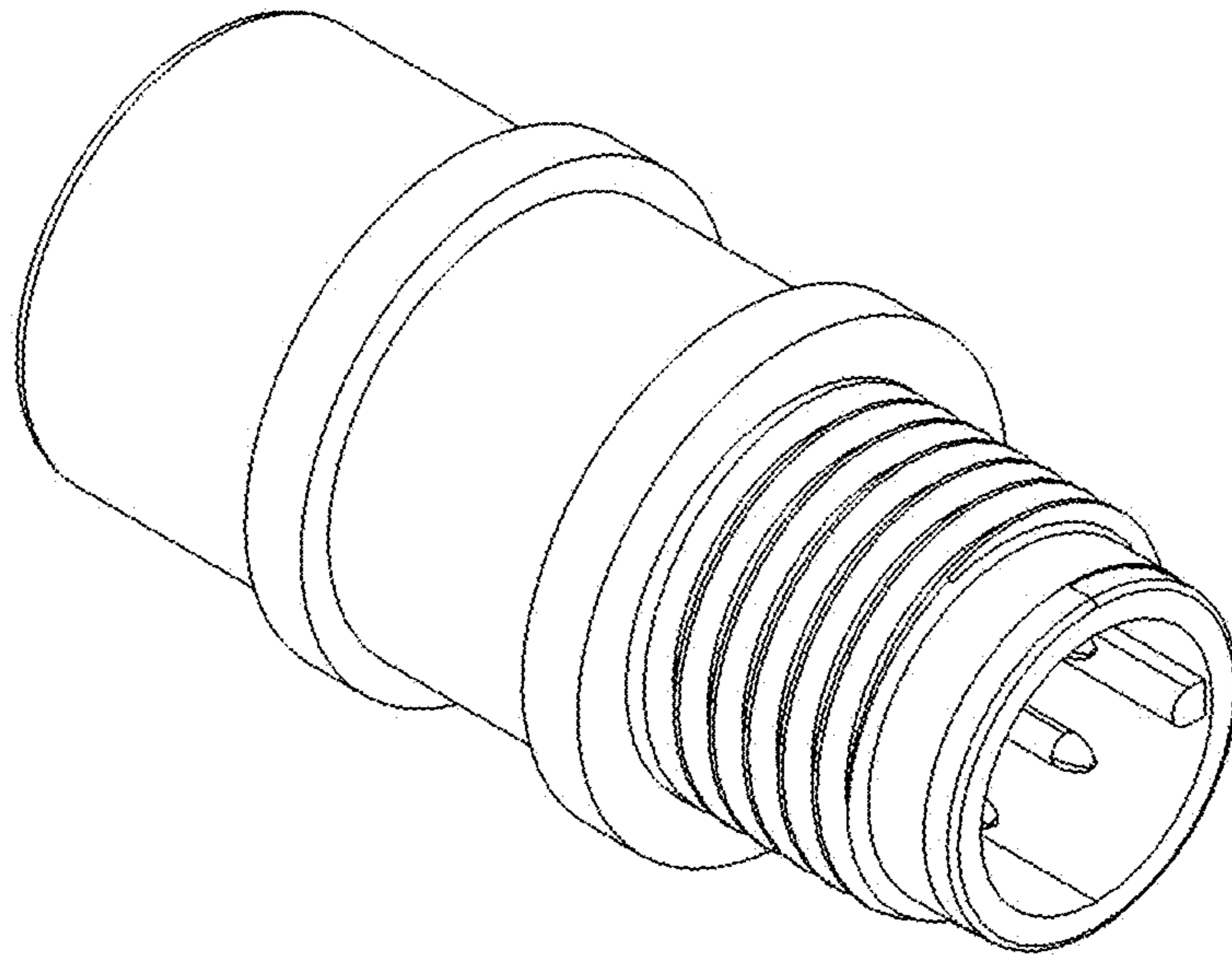
1.6



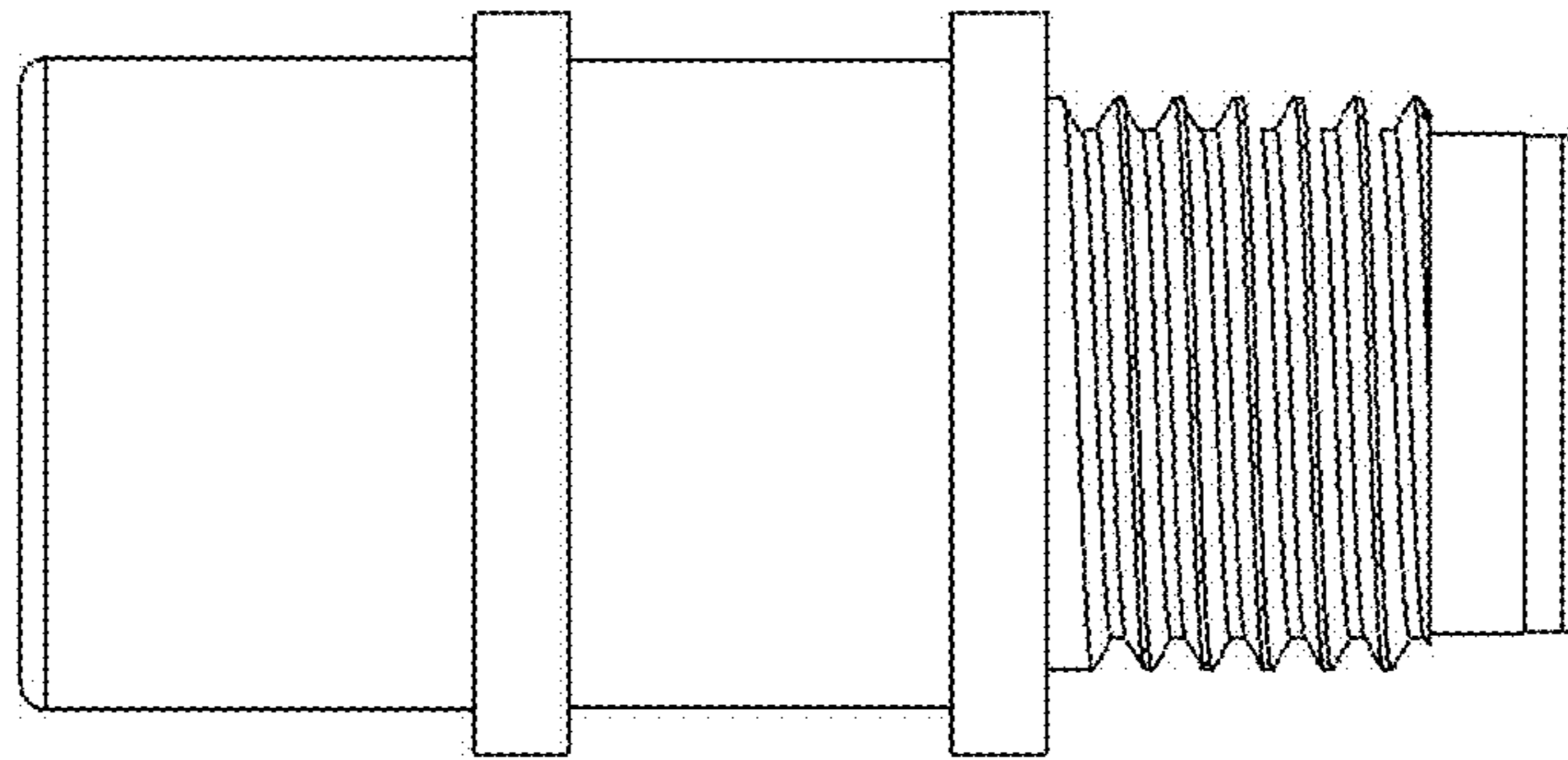
1.7



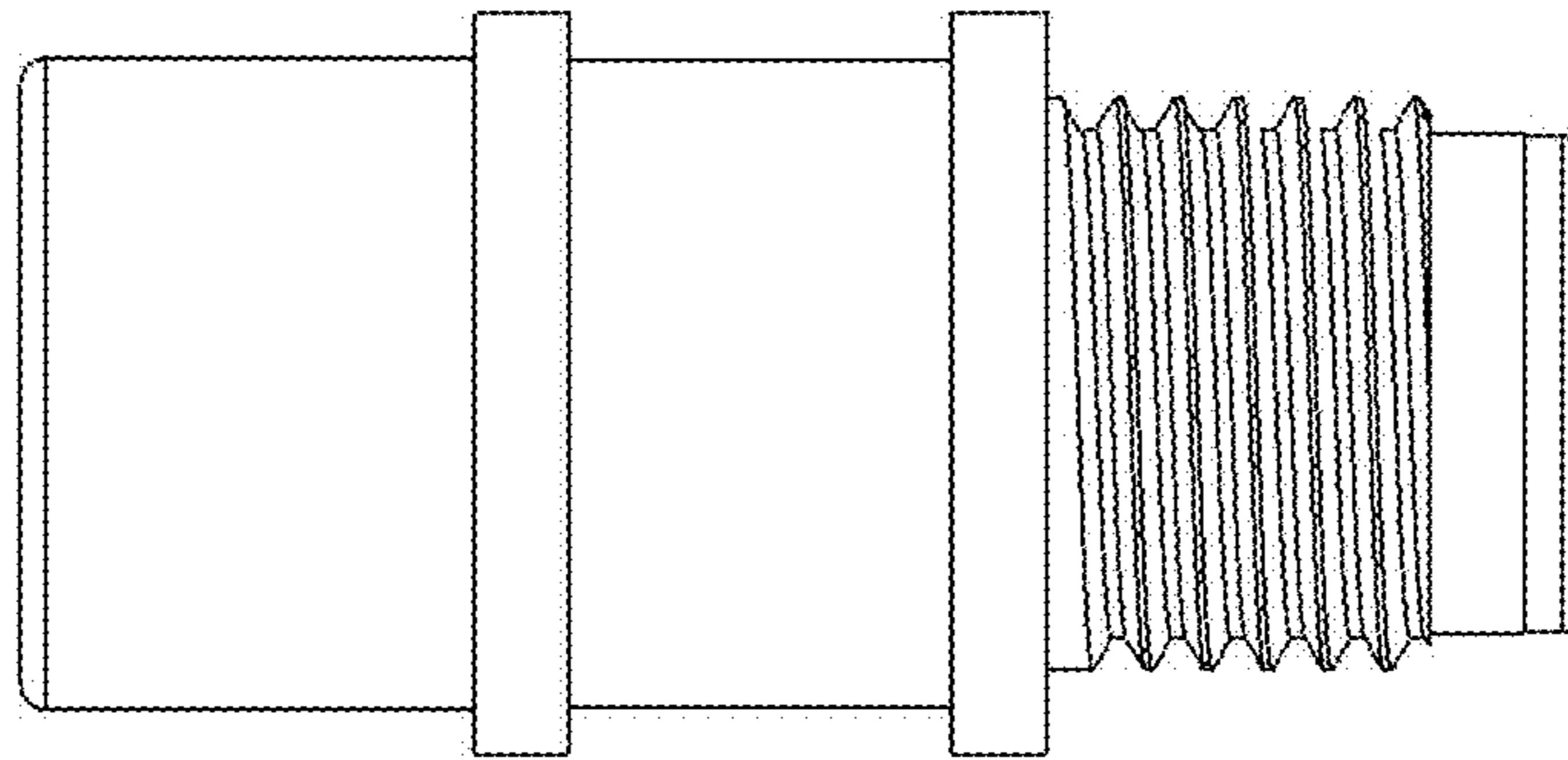
2.1



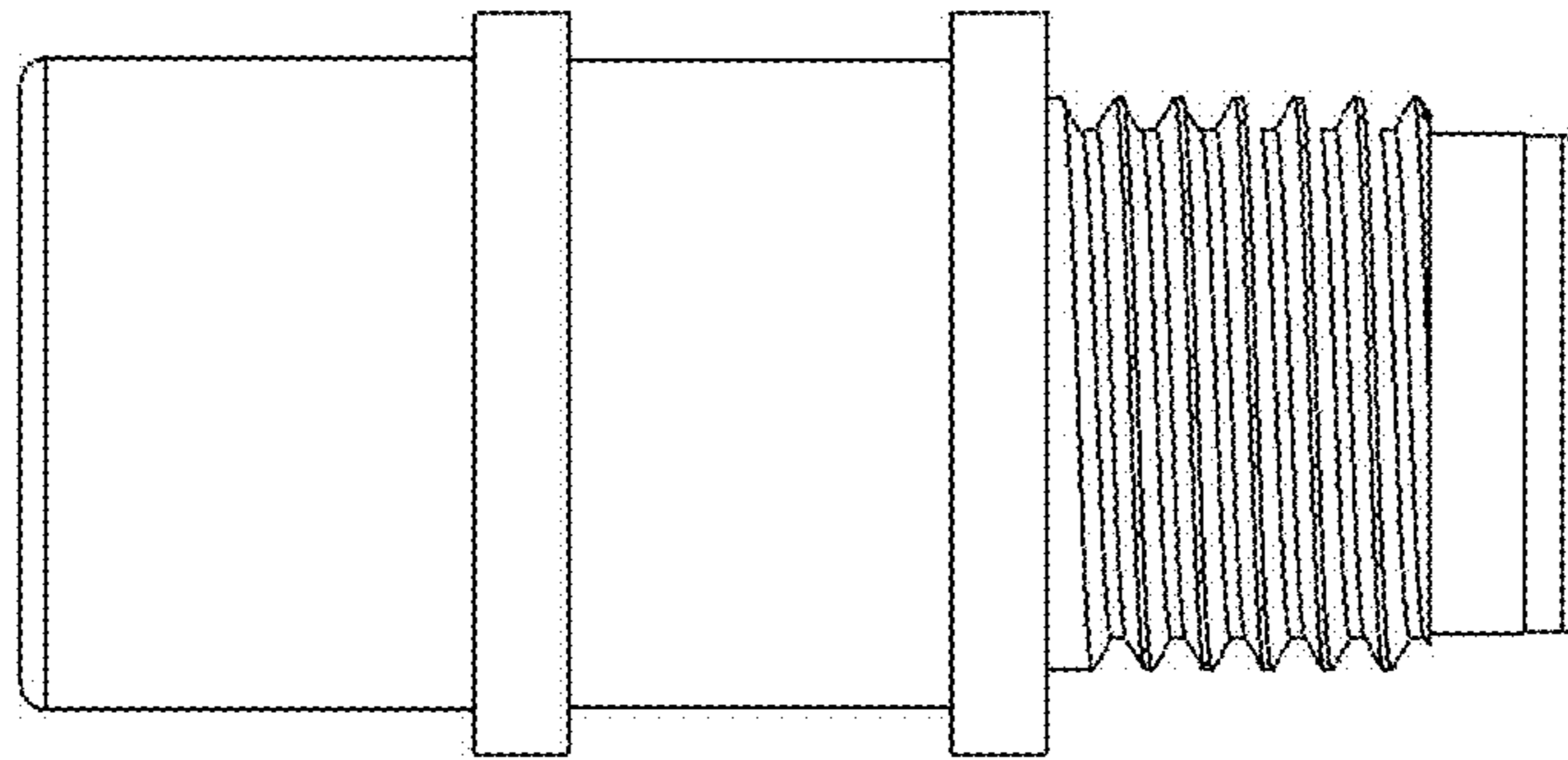
2.2



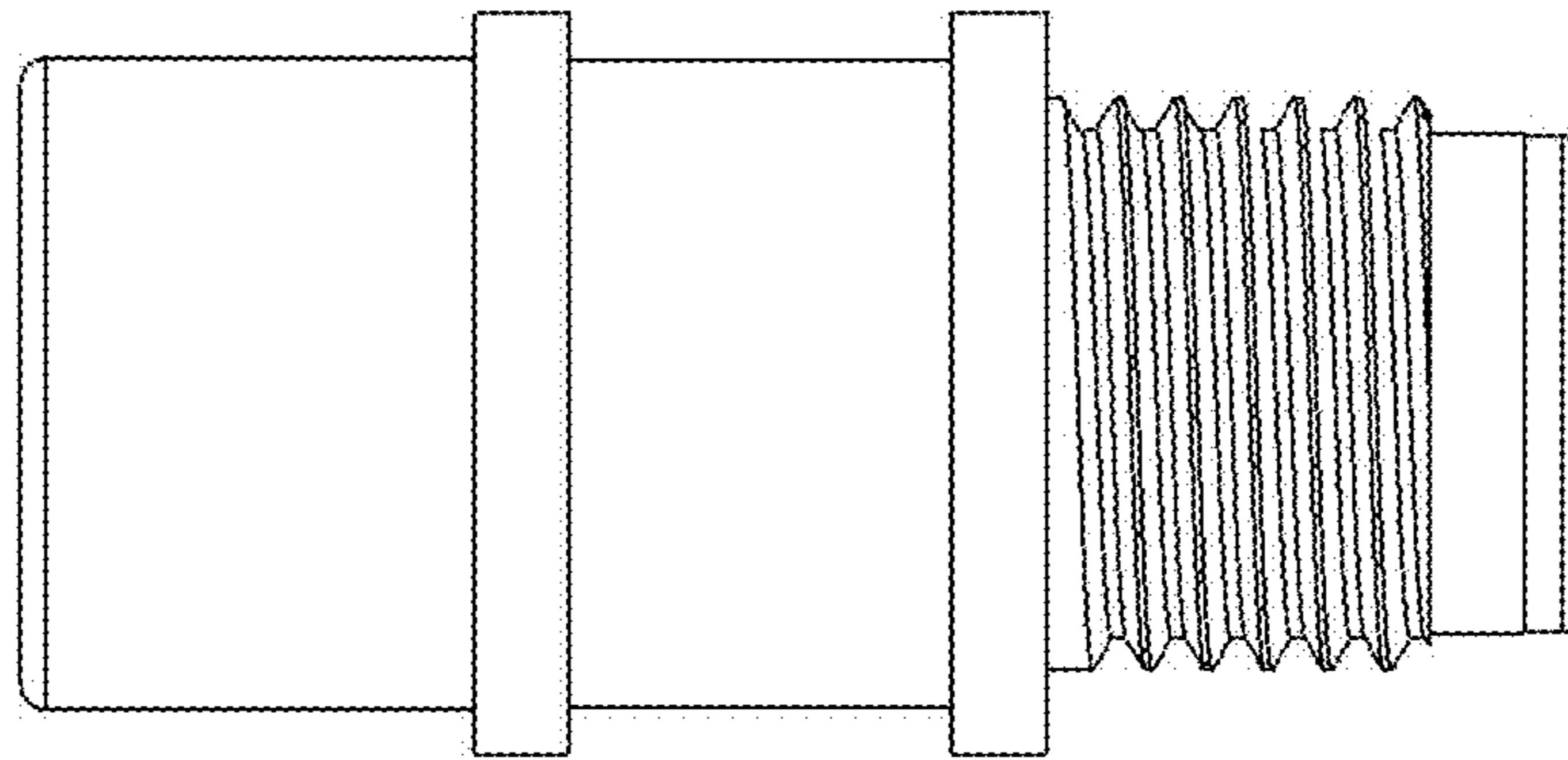
2.3



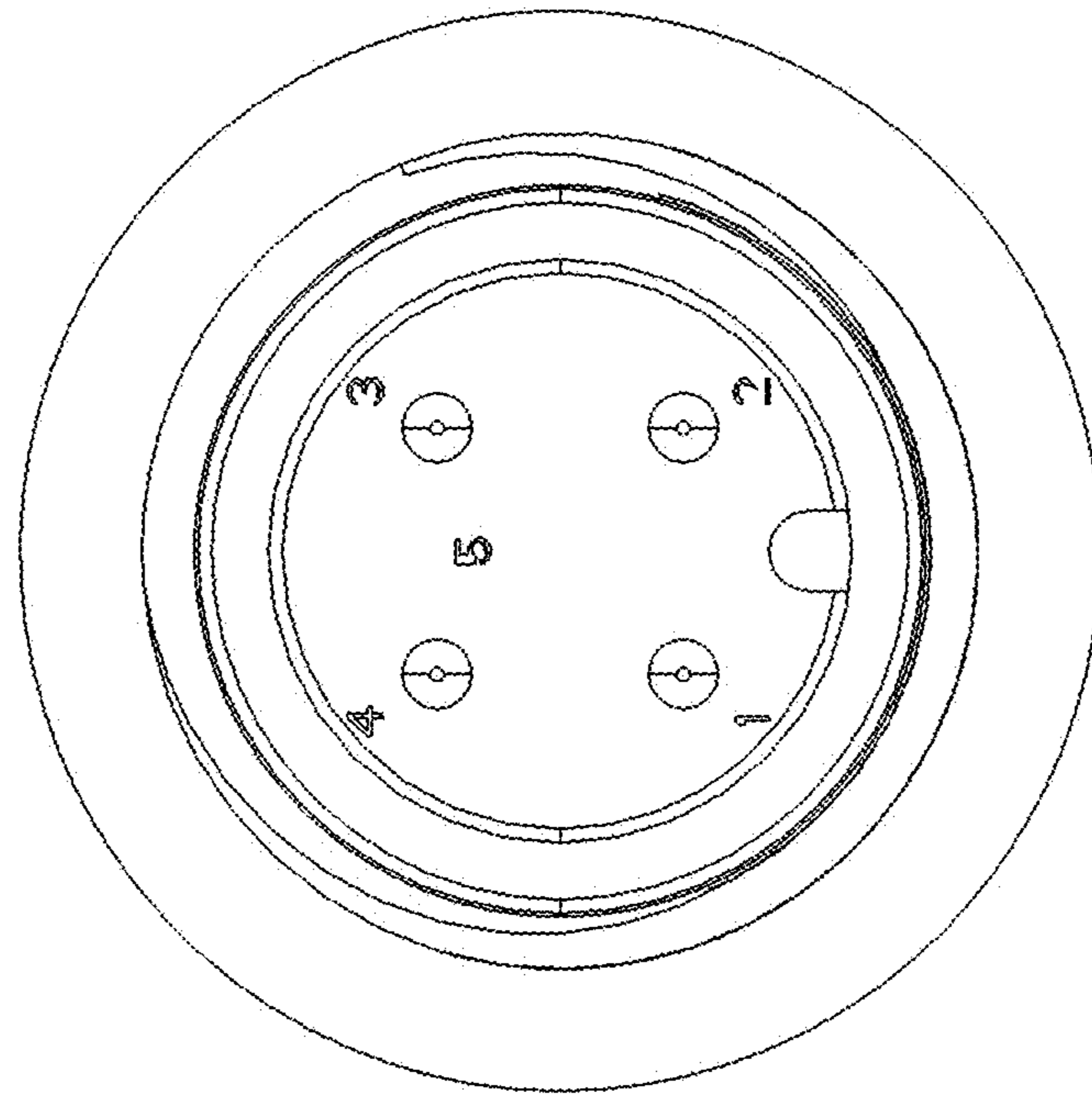
2.4



2.5



2.6



2.7

