



US00D957271S

(12) **United States Design Patent** (10) **Patent No.:** **US D957,271 S**  
**Saleh** (45) **Date of Patent:** **\*\* Jul. 12, 2022**

(54) **MEASURING TRAY**  
(71) Applicant: **Qayas Saleh**, Los Angeles, CA (US)  
(72) Inventor: **Qayas Saleh**, Los Angeles, CA (US)  
(\*\*) Term: **15 Years**  
(21) Appl. No.: **29/750,440**  
(22) Filed: **Sep. 14, 2020**  
(51) **LOC (13) Cl.** ..... **10-04**  
(52) **U.S. Cl.**  
USPC ..... **D10/46.3; D3/313; D7/553.2**  
(58) **Field of Classification Search**  
USPC ..... D3/201–203.8, 313; D7/553.1, 553.2;  
D10/46.2, 46.3  
CPC ..... G01F 17/00; G01F 15/14; B65D 1/34–36;  
A47G 23/04–2023/0691  
See application file for complete search history.

D318,207 S \* 7/1991 Anderson ..... D7/549  
D396,954 S \* 8/1998 Iversen ..... D19/75  
D440,472 S \* 4/2001 Paschal ..... D7/698  
D596,903 S \* 7/2009 Willis ..... D9/761  
D766,664 S \* 9/2016 Wilson ..... D7/553.2

\* cited by examiner

*Primary Examiner* — Antoine Duval Davis

(57) **CLAIM**

The ornamental design for measuring tray, as shown and described.

**DESCRIPTION**

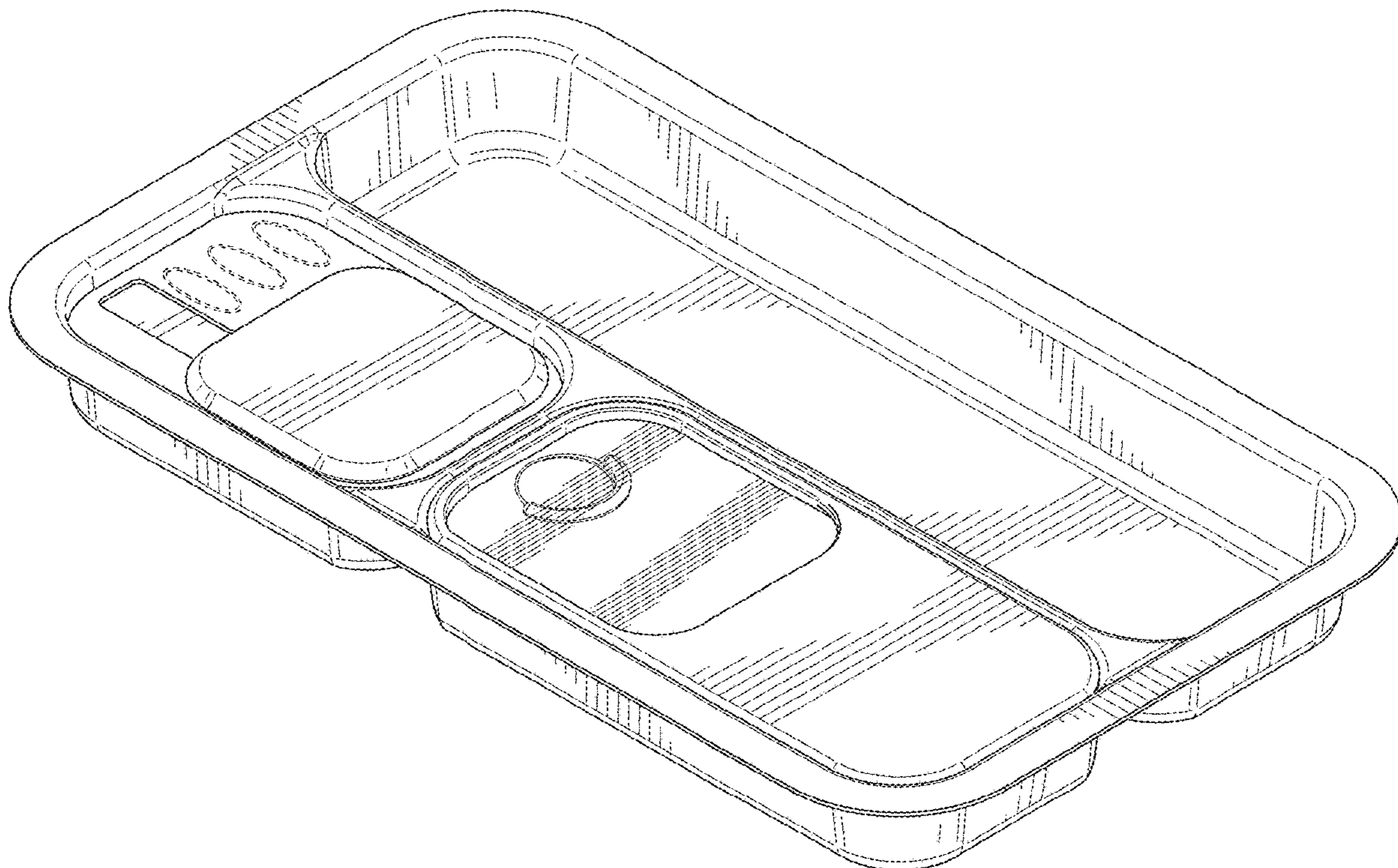
FIG. 1 is a perspective view of the measuring tray;  
FIG. 2 is a front view of the embodiment of FIG. 1;  
FIG. 3 is a back view of the embodiment of FIG. 1;  
FIG. 4 is a right side view of the embodiment of FIG. 1;  
FIG. 5 is a left side view of the embodiment of FIG. 1;  
FIG. 6 is a top view of the embodiment of FIG. 1; and,  
FIG. 7 is a bottom view of the embodiment of FIG. 1.  
The broken lines, and the unshaded surfaces within, illustrate portions of the measuring tray and form no part of the claimed design.

(56) **References Cited**

**U.S. PATENT DOCUMENTS**

D164,157 S \* 8/1951 Chrzanowski, I ..... D19/83  
D223,276 S \* 4/1972 Macowski, Jr. .... D10/46.3

**1 Claim, 5 Drawing Sheets**



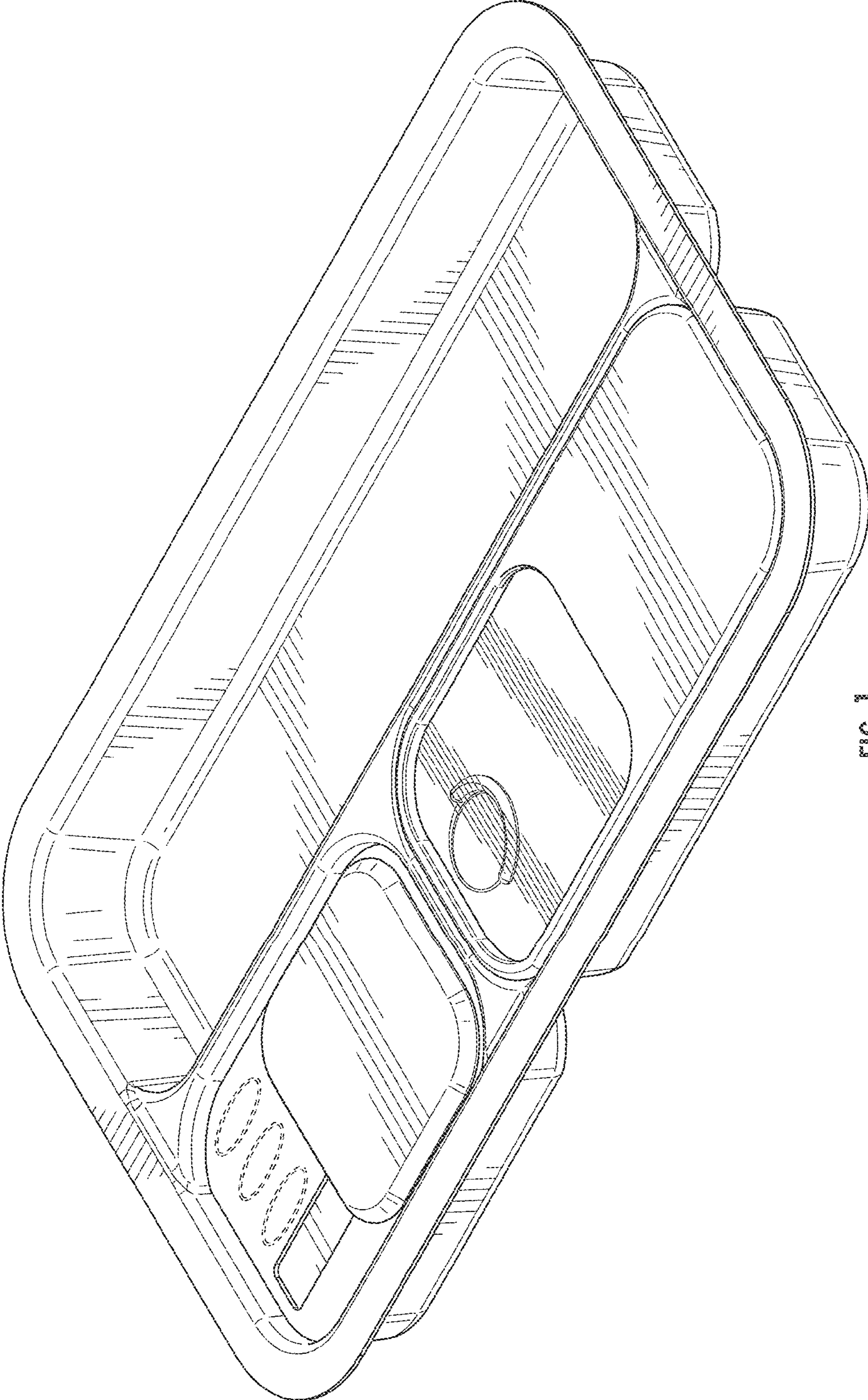


FIG. 1



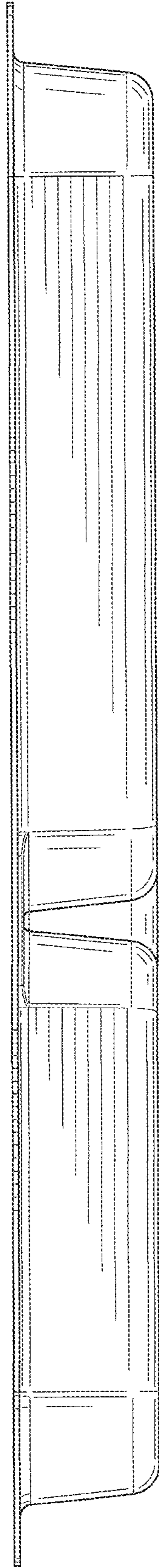


FIG. 2

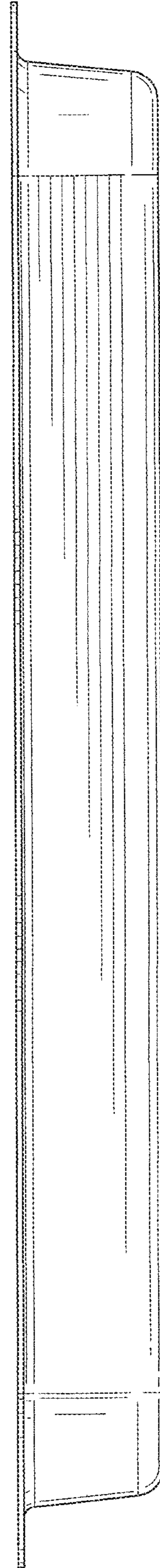


FIG. 3

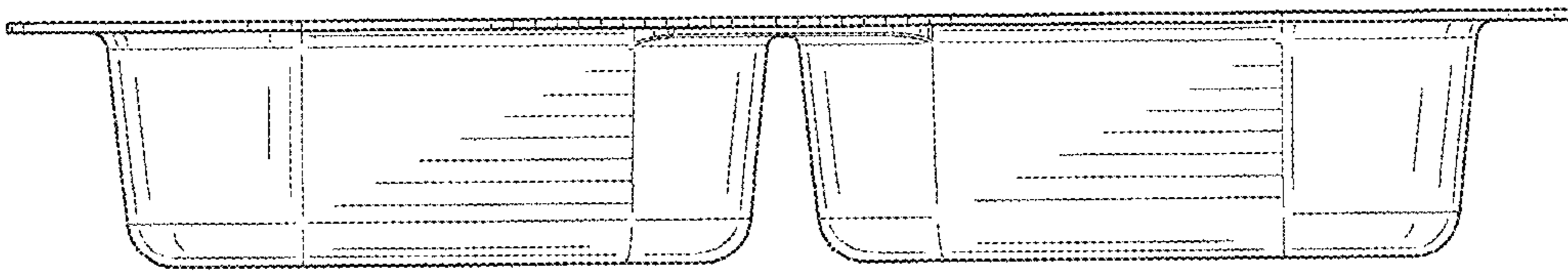


FIG. 4

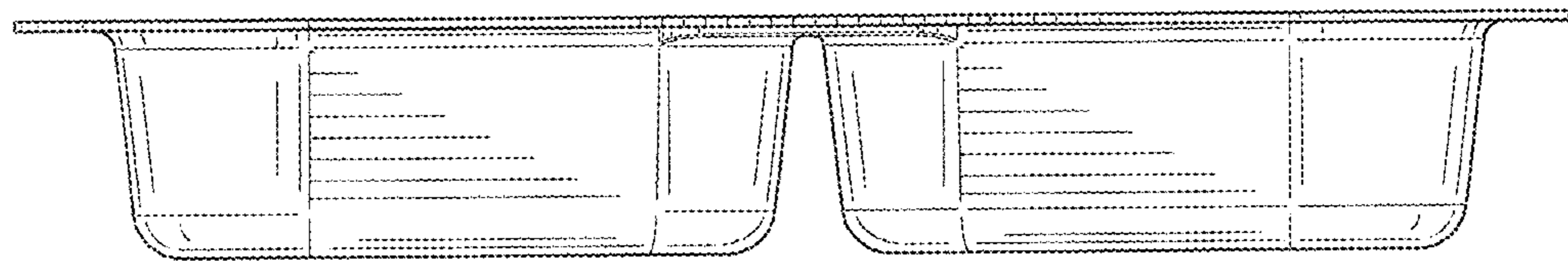


FIG. 5

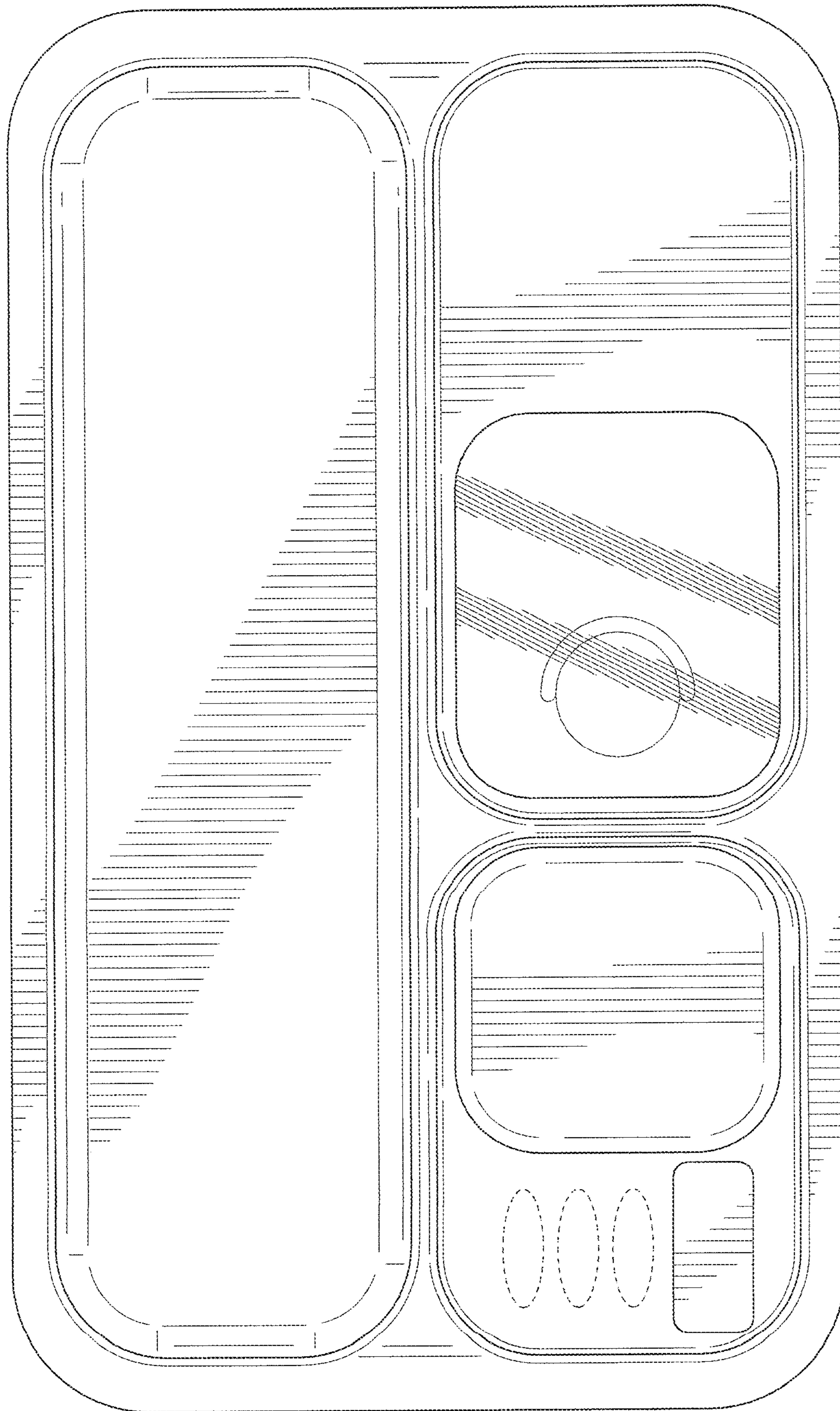


FIG. 6

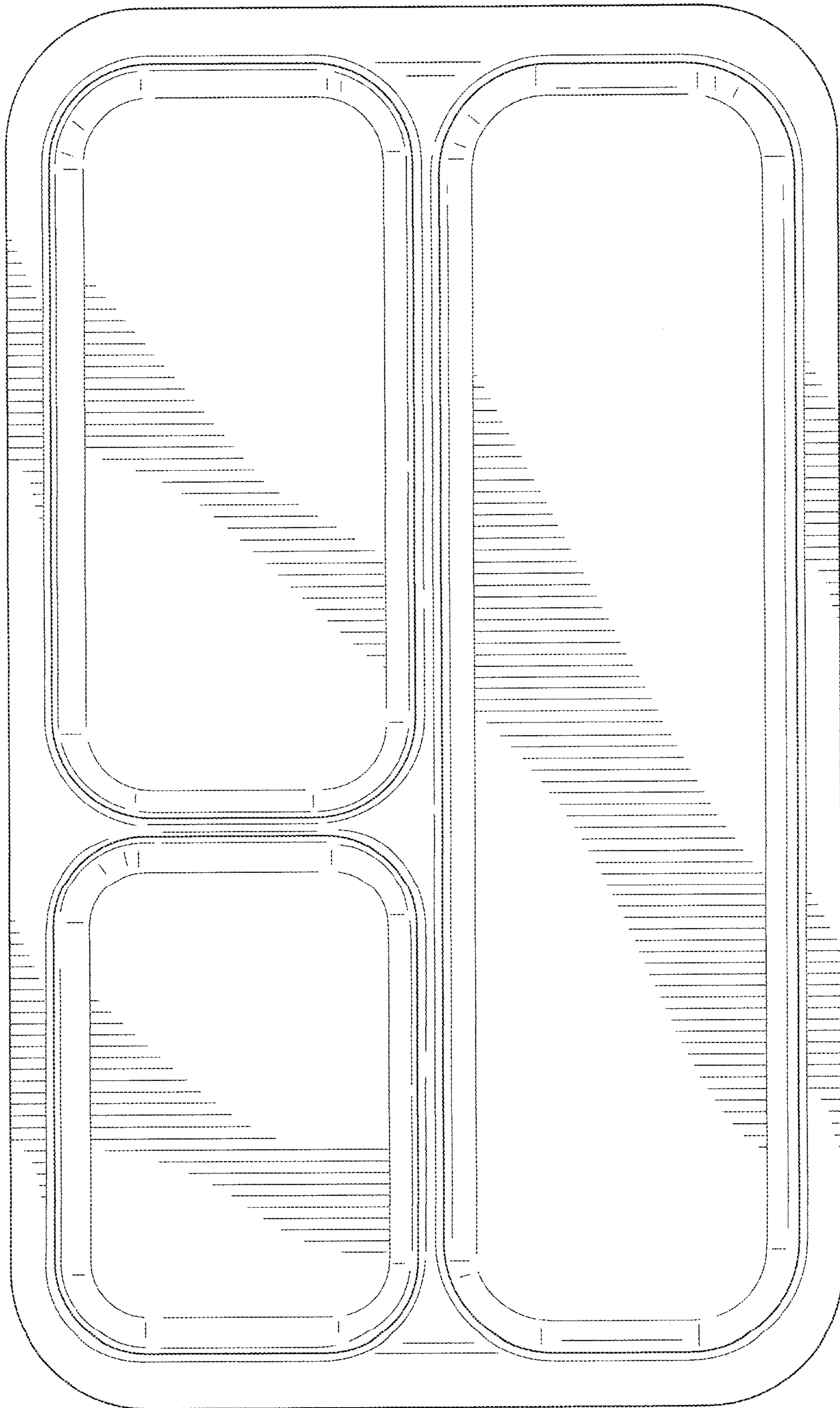


FIG. 7