



US00D957269S

(12) **United States Design Patent**  
**Laucella**

(10) **Patent No.:** **US D957,269 S**  
(45) **Date of Patent:** **\*\* Jul. 12, 2022**

(54) **WATCH CASE**

(71) Applicant: **Montres Breguet SA (Montres Breguet AG) (Montres Breguet Ltd), L'Abbaye (CH)**

(72) Inventor: **Vincenzo Laucella, Le Brassus (CH)**

(73) Assignee: **MONTRES BREGUET SA (MONTRES BREGUET AG) (MONTRES BREGUET LTD), L'Abbaye (CH)**

(\*\*) Term: **15 Years**

(21) Appl. No.: **29/740,813**

(22) Filed: **Jul. 7, 2020**

(30) **Foreign Application Priority Data**

Jan. 9, 2020 (WO) ..... WIPO90948

(51) **LOC (13) Cl.** ..... **10-02**

(52) **U.S. Cl.**  
USPC ..... **D10/39**

(58) **Field of Classification Search**

USPC ..... D10/30-39, 126-129, 131-132  
CPC ..... G04B 19/00; G04B 19/02; G04B 19/025;  
G04B 19/04; G04B 19/042; G04B 19/06;  
G04B 19/065; G04B 19/08; G04B  
19/085; G04B 19/087; G04B 19/10;  
G04B 19/103; G04B 19/106; G04B  
19/12; G04B 19/18; G04B 19/24; G04B  
19/28; G04B 19/32; G04B 37/00; G04B  
37/0058; G04B 37/14; G04B 37/1446;  
G04B 37/18; G04B 45/0046; G04B  
45/0069; G04B 45/0076

See application file for complete search history.

(56) **References Cited**

**U.S. PATENT DOCUMENTS**

D464,272 S \* 10/2002 Man ..... D10/30  
D545,695 S \* 7/2007 Laucella ..... D10/39

D580,794 S \* 11/2008 Takahashi ..... D10/32  
D615,882 S \* 5/2010 Laucella ..... D10/39  
D682,137 S \* 5/2013 Schellenberg ..... D10/126  
D693,719 S \* 11/2013 Galvani ..... D10/126  
D705,675 S \* 5/2014 Abdourahim ..... D10/39  
D723,964 S \* 3/2015 Monachon ..... D10/126  
D775,972 S \* 1/2017 Dupont ..... D10/30  
D793,870 S \* 8/2017 Abdourahim ..... D10/30  
D793,892 S \* 8/2017 Saunier ..... D10/126  
D822,522 S \* 7/2018 Laucella ..... D10/127  
D827,454 S \* 9/2018 Laucella ..... D10/39  
D881,026 S \* 4/2020 Laucella ..... D10/39  
D889,303 S \* 7/2020 Lasserre ..... D10/126  
2019/0000195 A1 \* 1/2019 Golay ..... G04B 37/0008

\* cited by examiner

*Primary Examiner* — Katherine Glennon

(74) *Attorney, Agent, or Firm* — Abelman, Frayne & Schwab

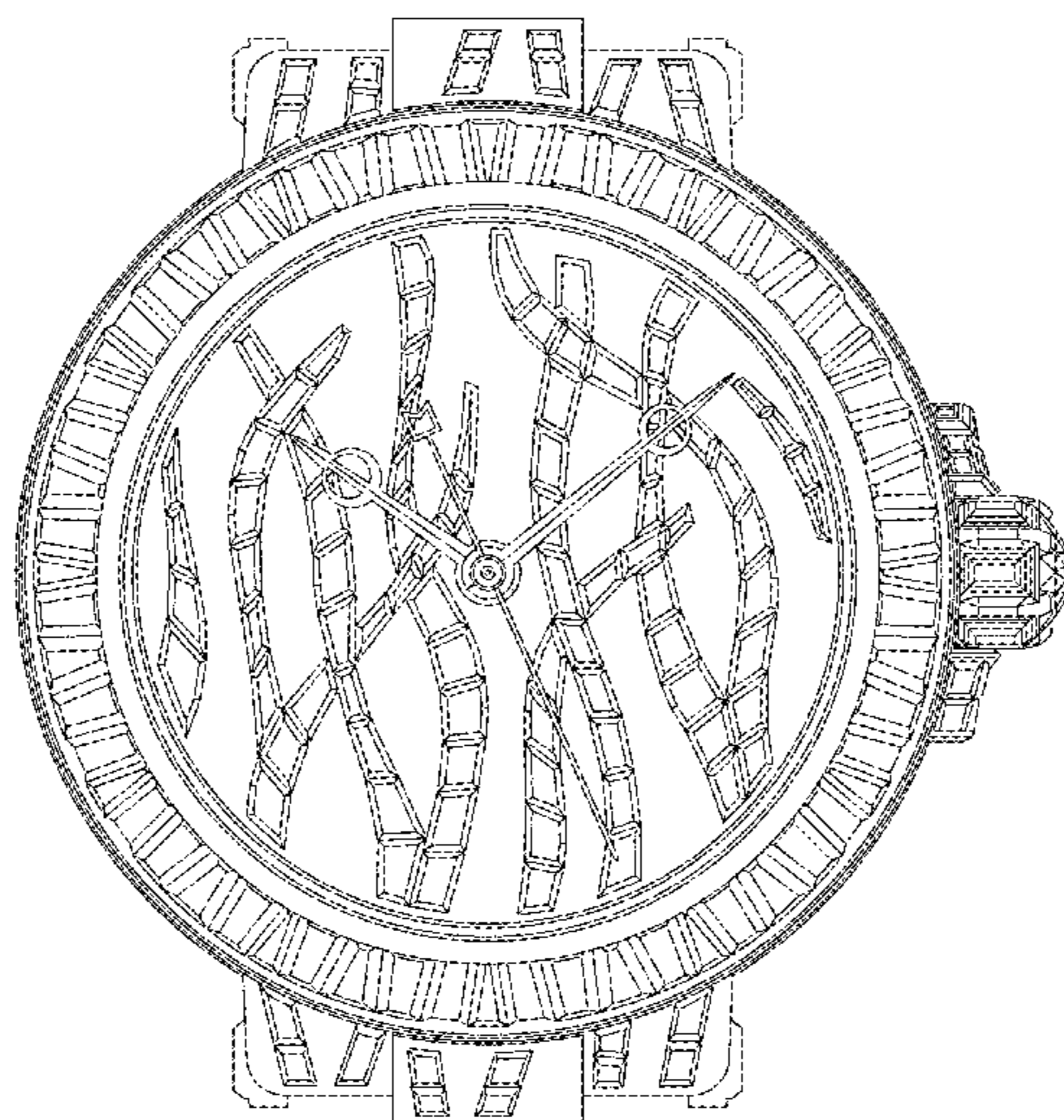
(57) **CLAIM**

The ornamental design for a watch case, as shown and described.

**DESCRIPTION**

FIG. 1 is a front view of a watch case showing the new design;  
FIG. 2 is a rear view thereof;  
FIG. 3 is right side view thereof;  
FIG. 4 is a left side view thereof;  
FIG. 5 is a top view thereof;  
FIG. 6 is a bottom view thereof;  
FIG. 7 is a front, right, and bottom perspective view thereof;  
and,  
FIG. 8 is a rear, left, and bottom perspective view thereof.  
The broken line showing is for the purpose of illustrating portions of the watch case and forms no part of the claimed design.

**1 Claim, 6 Drawing Sheets**



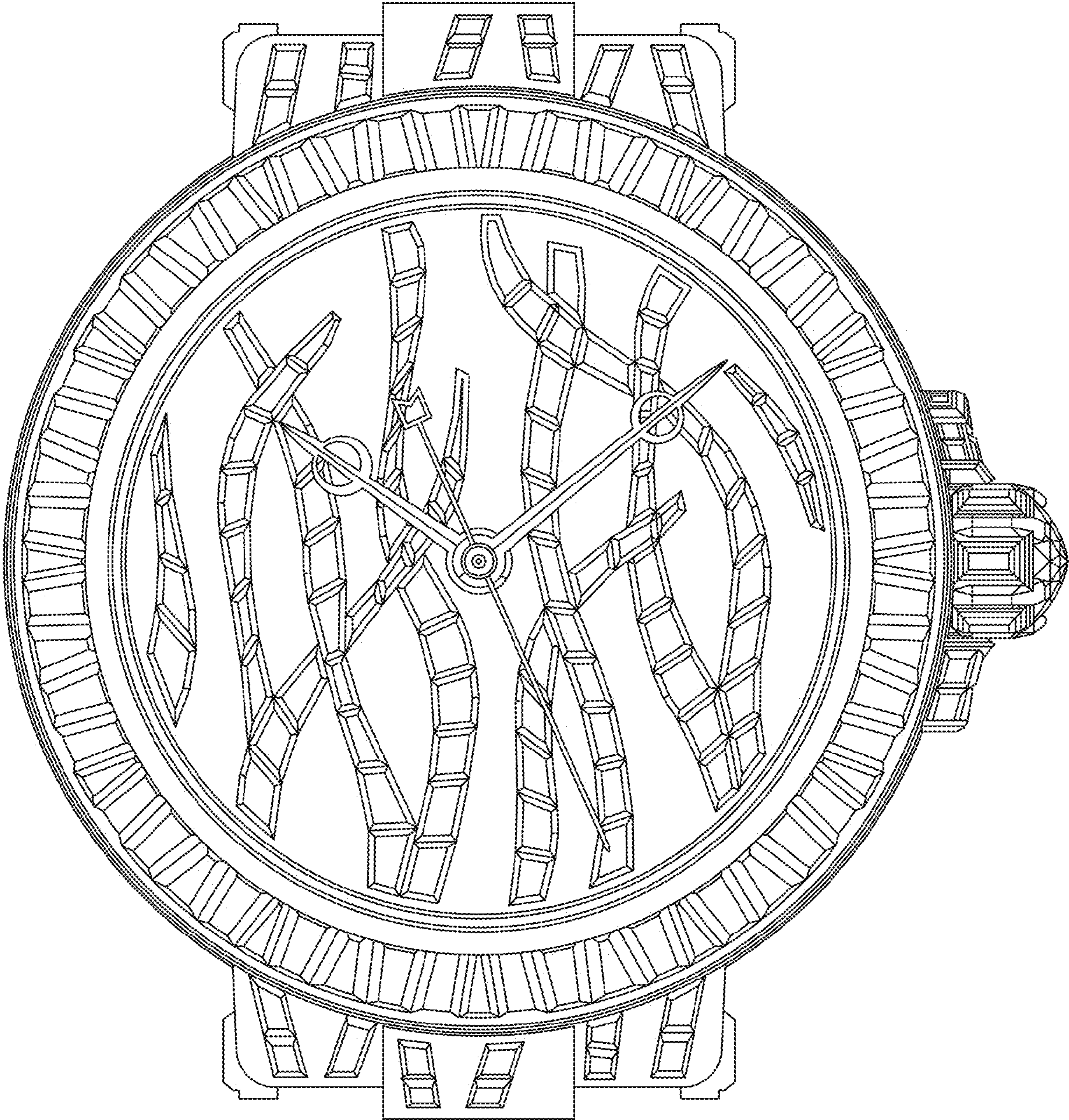


FIG. 1

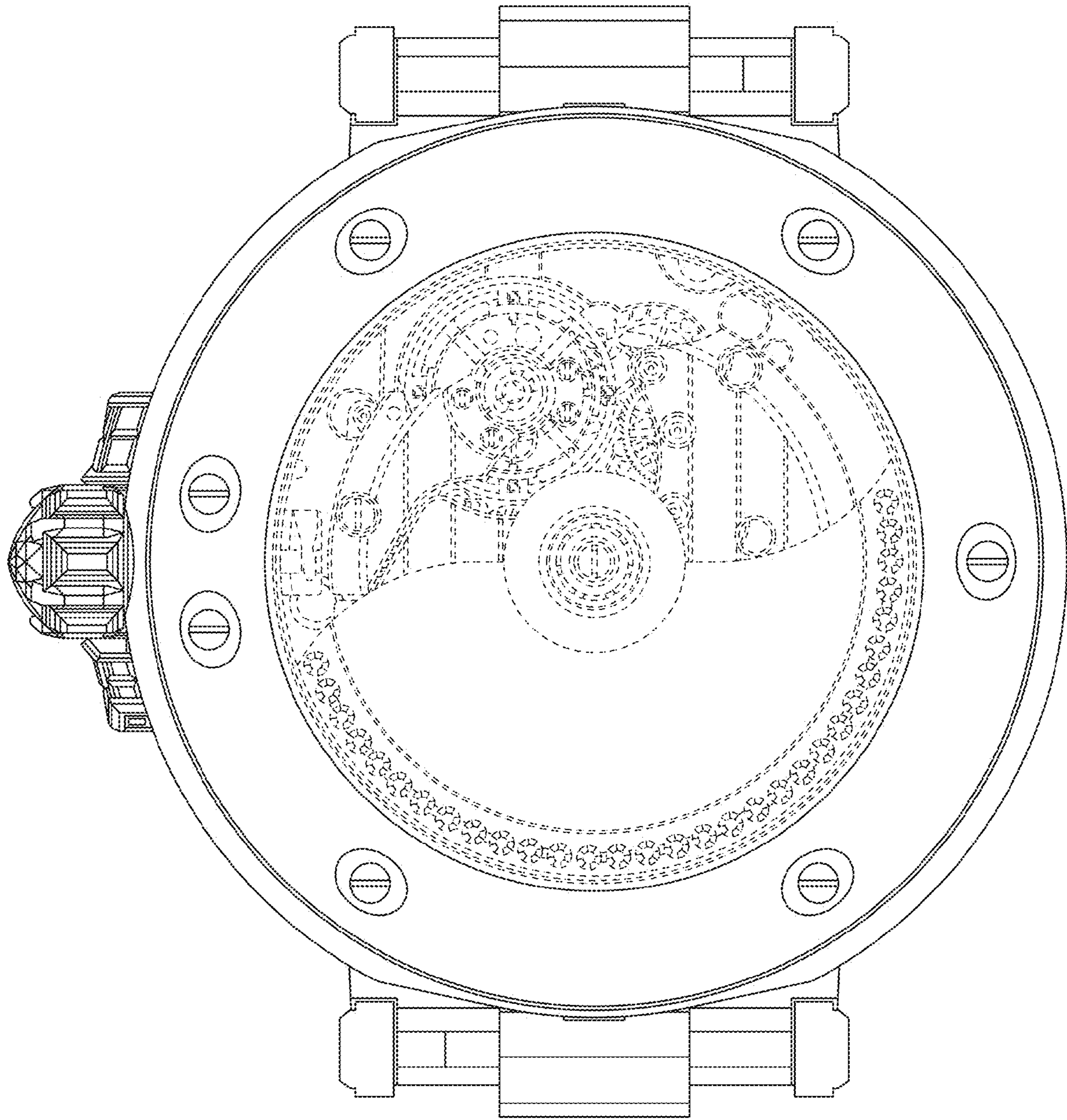


FIG. 2

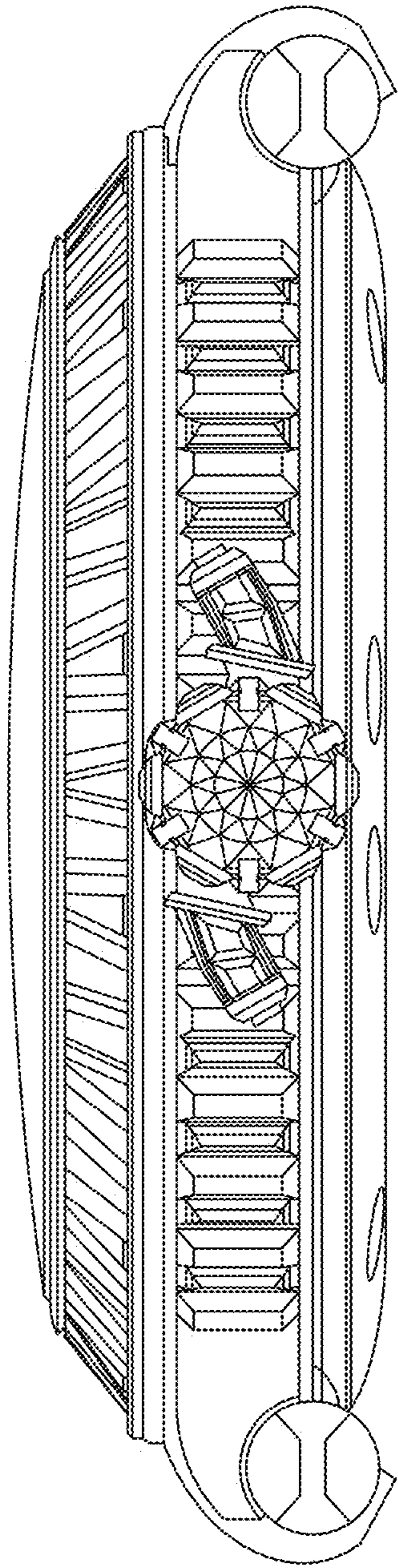


FIG. 3

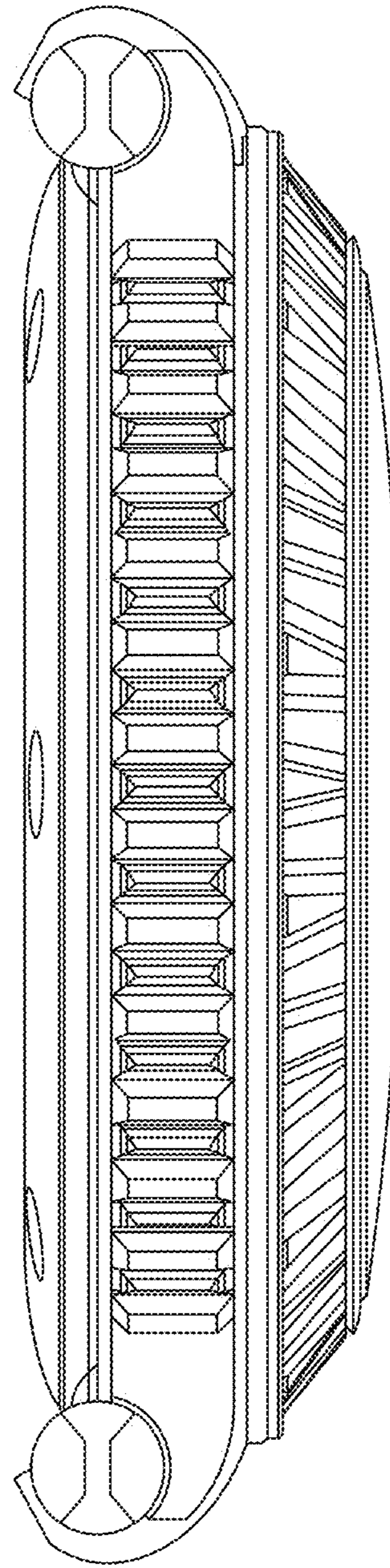


FIG. 4

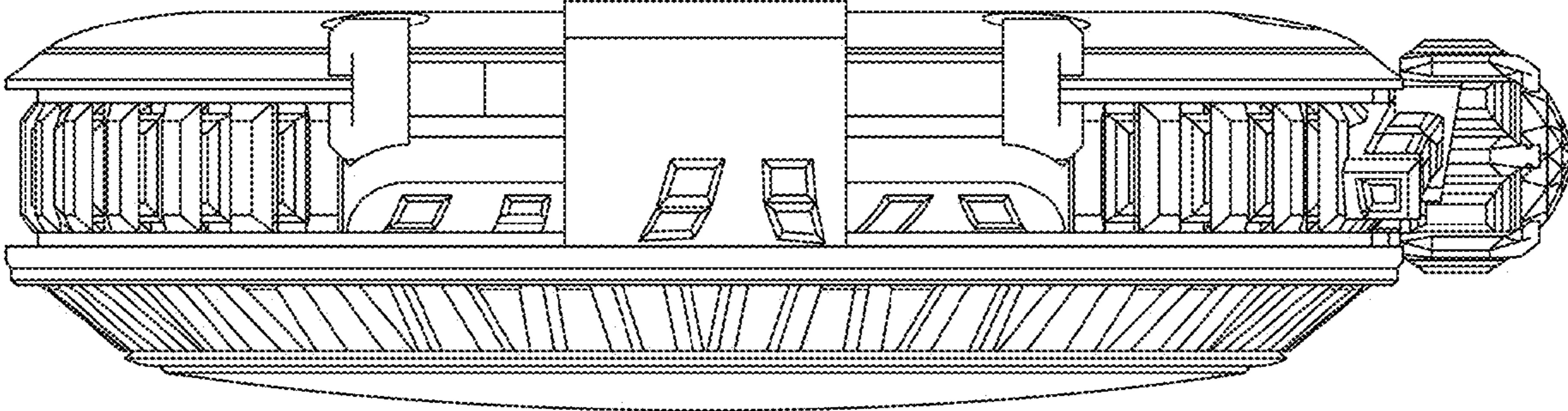


FIG. 5

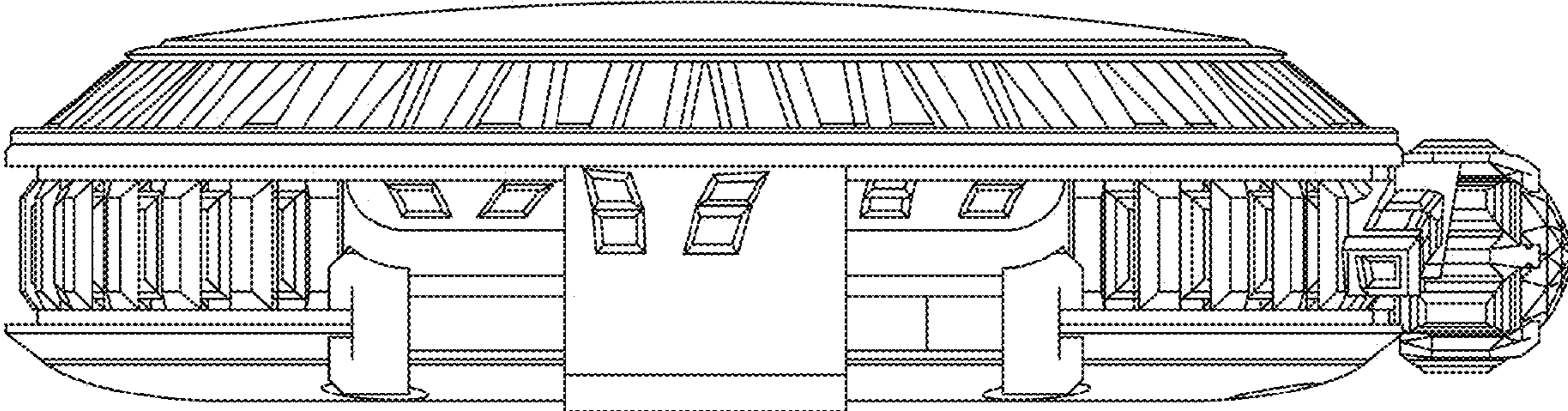


FIG. 6

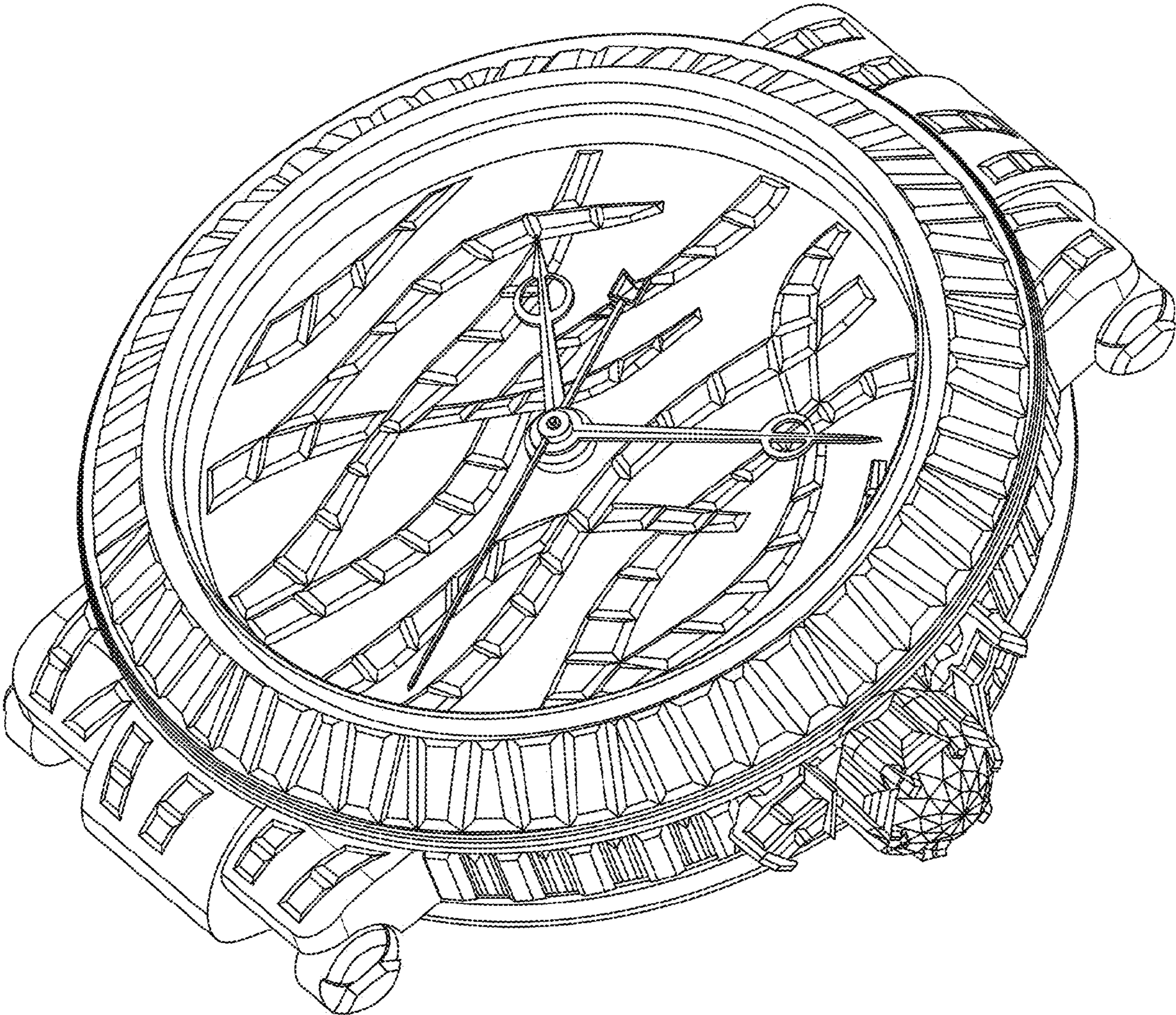


FIG. 7

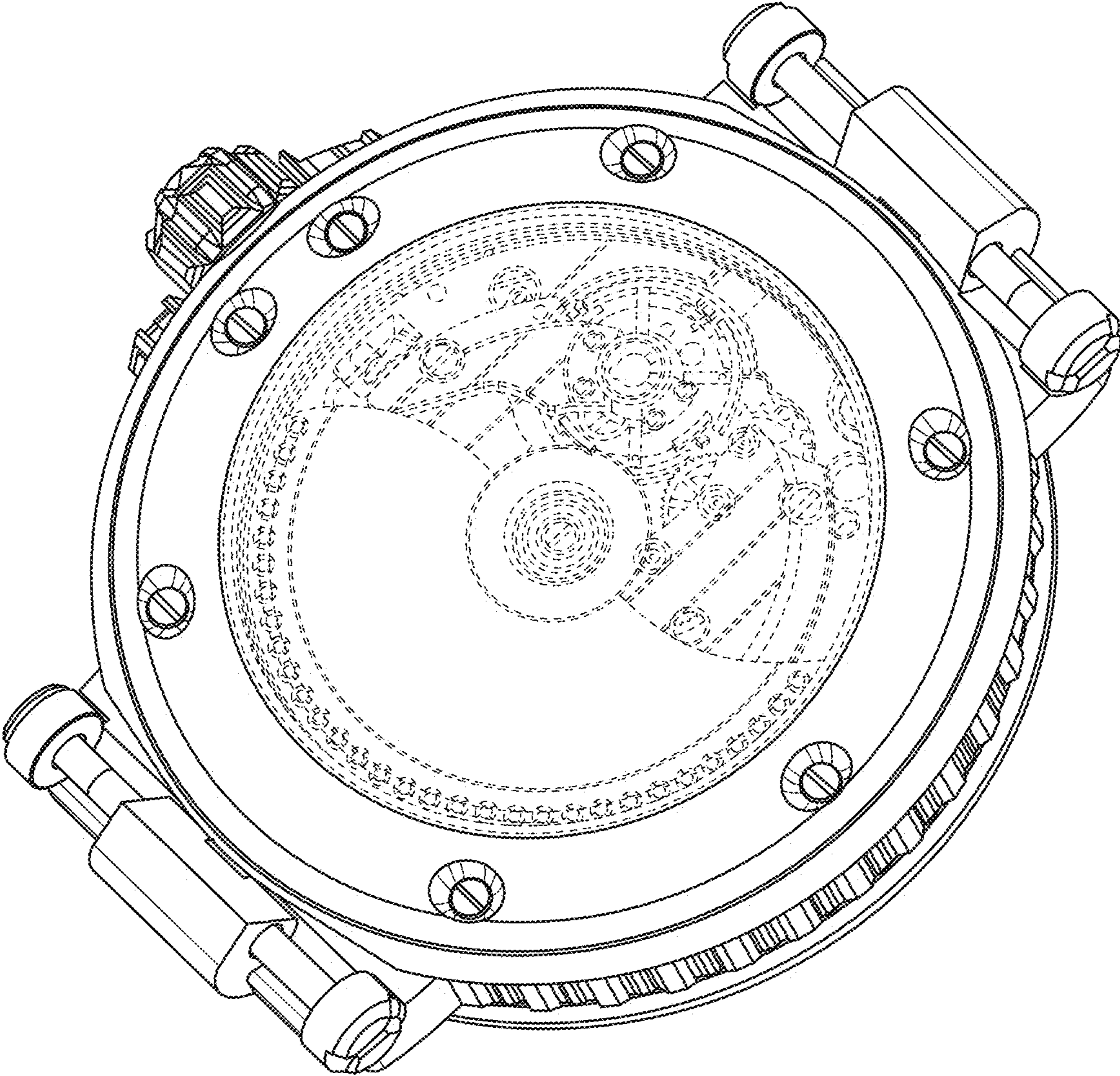


FIG. 8