



US00D957255S

(12) **United States Design Patent**
Servaire

(10) **Patent No.:** **US D957,255 S**
(45) **Date of Patent:** **** Jul. 12, 2022**

(54) **BOTTLE**

(71) Applicant: **GUERLAIN**, Paris (FR)
(72) Inventor: **Sébastien Servaire**, Paris (FR)

(73) Assignee: **GUERLAIN**, Paris (FR)

(**) Term: **15 Years**

(21) Appl. No.: **35/510,742**

(22) Filed: **Oct. 28, 2020**

(80) **Hague Agreement Data**

Int. Filing Date: **Oct. 28, 2020**
Int. Reg. No.: **DM/211050**
Int. Reg. Date: **Oct. 28, 2020**
Int. Reg. Pub. Date: **Nov. 13, 2020**

(30) **Foreign Application Priority Data**

May 15, 2020 (EM) 007949250

(51) **LOC (13) Cl.** **09-01**

(52) **U.S. Cl.**
USPC **D9/503**

(58) **Field of Classification Search**
USPC D9/434-436, 440, 447, 503, 558, 719,
D9/723-724
CPC B65D 47/18; B65D 1/08; B65D 25/48;
B65D 50/045

See application file for complete search history.

(56) **References Cited**

U.S. PATENT DOCUMENTS

2,781,063	A *	2/1957	Williams	B01L 3/0282
					141/24
9,167,881	B2 *	10/2015	Mehta	A45D 34/045
D790,051	S *	6/2017	Valentino	D23/366
D828,164	S *	9/2018	Kim	D9/503
D884,282	S *	5/2020	Jung	D28/76
D886,632	S *	6/2020	Ahn	D9/723
D928,618	S *	8/2021	Lee	D9/503
D935,887	S *	11/2021	Ouriel	D9/505

* cited by examiner

Primary Examiner — Michael A. Pratt
(74) *Attorney, Agent, or Firm* — IpHorgan Ltd.

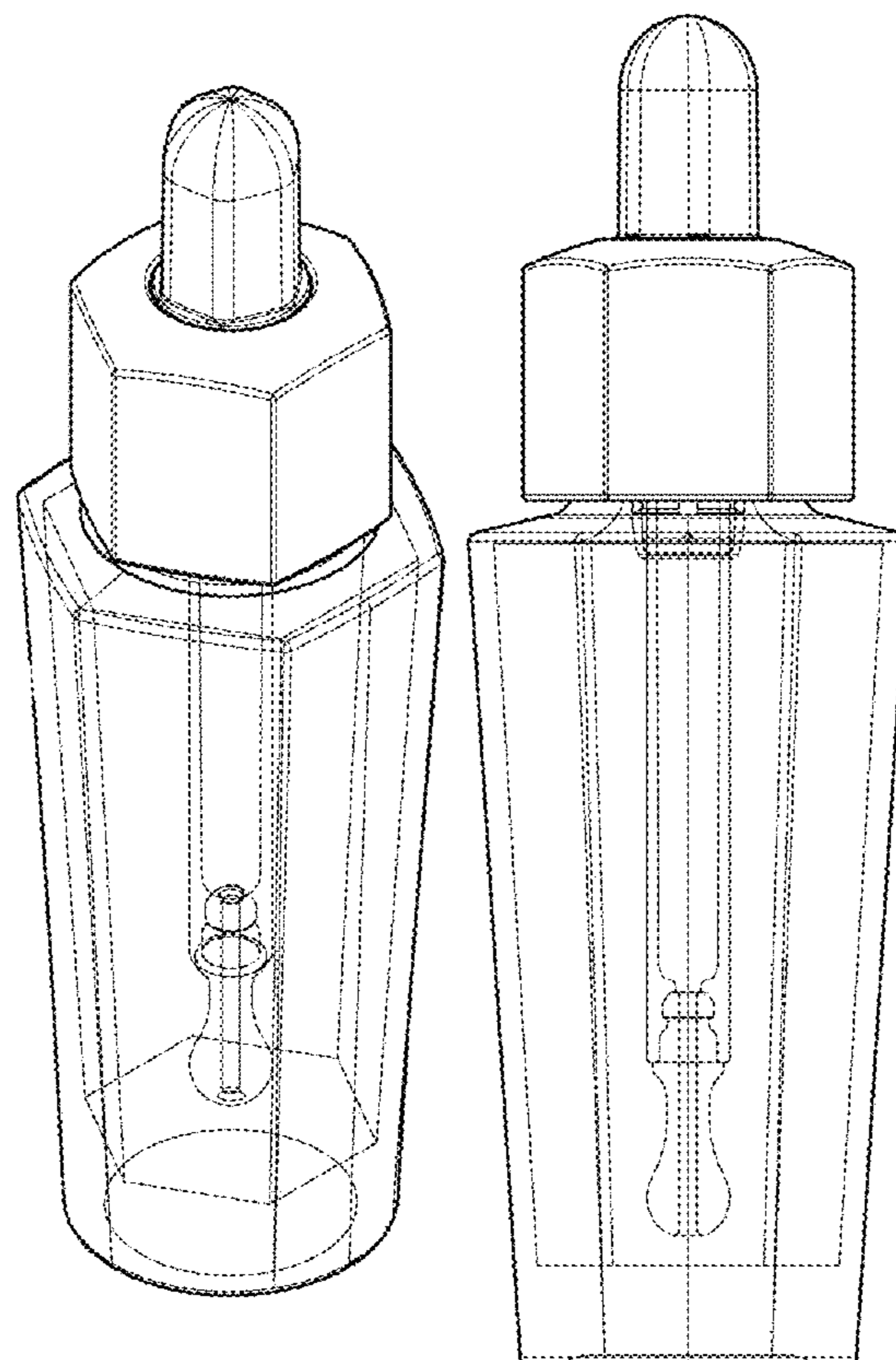
(57) **CLAIM**

The ornamental design for bottle, as shown and described.

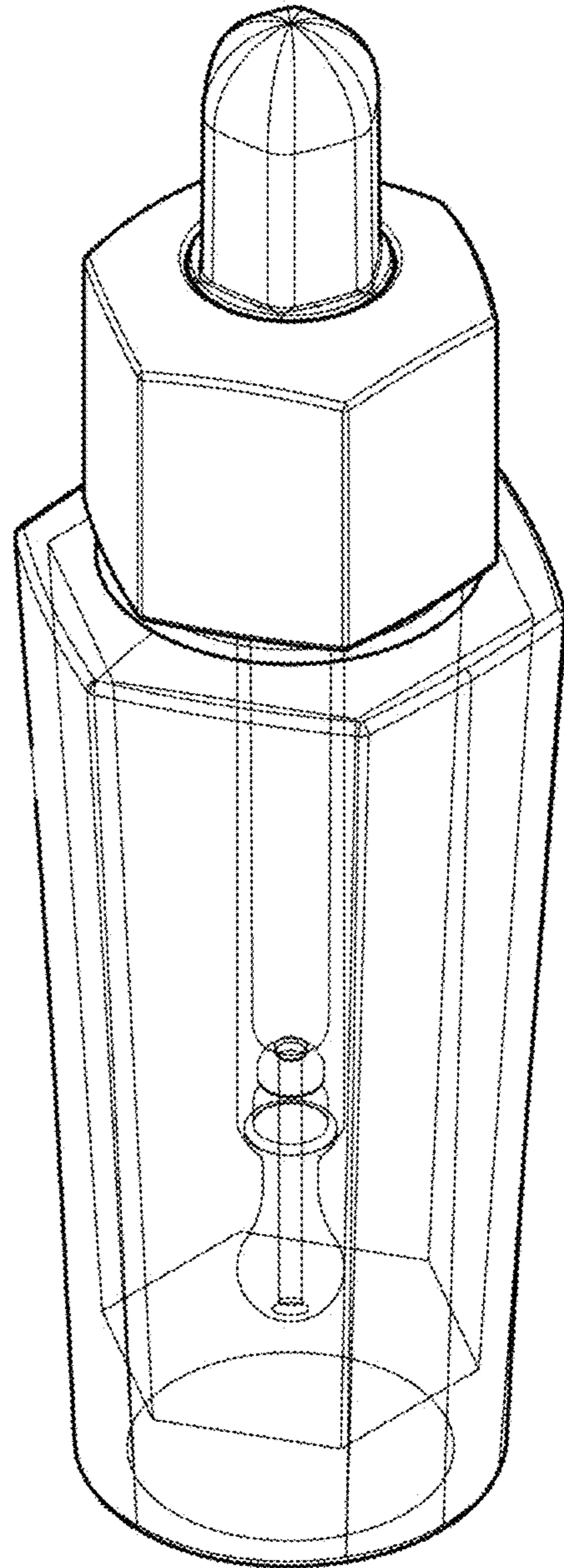
DESCRIPTION

- 1. Bottle
- 1.1 : Perspective
- 1.2 : Front
- 1.3 : Back
- 1.4 : Right
- 1.5 : Left
- 1.6 : Top

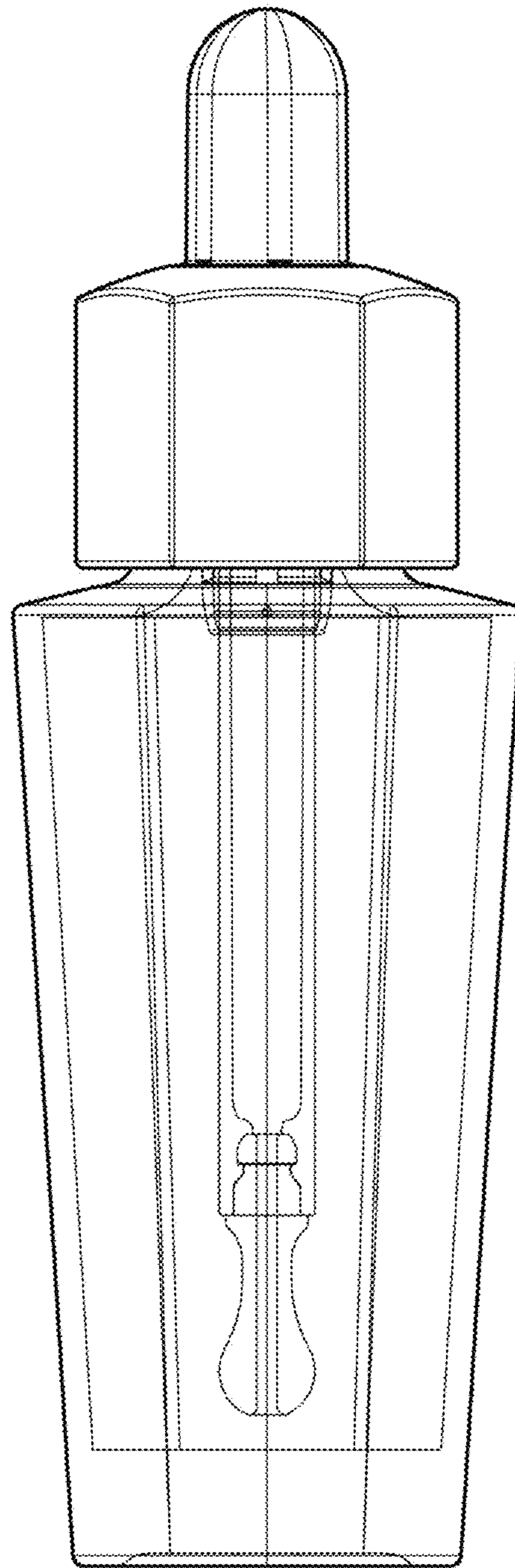
1 Claim, 6 Drawing Sheets



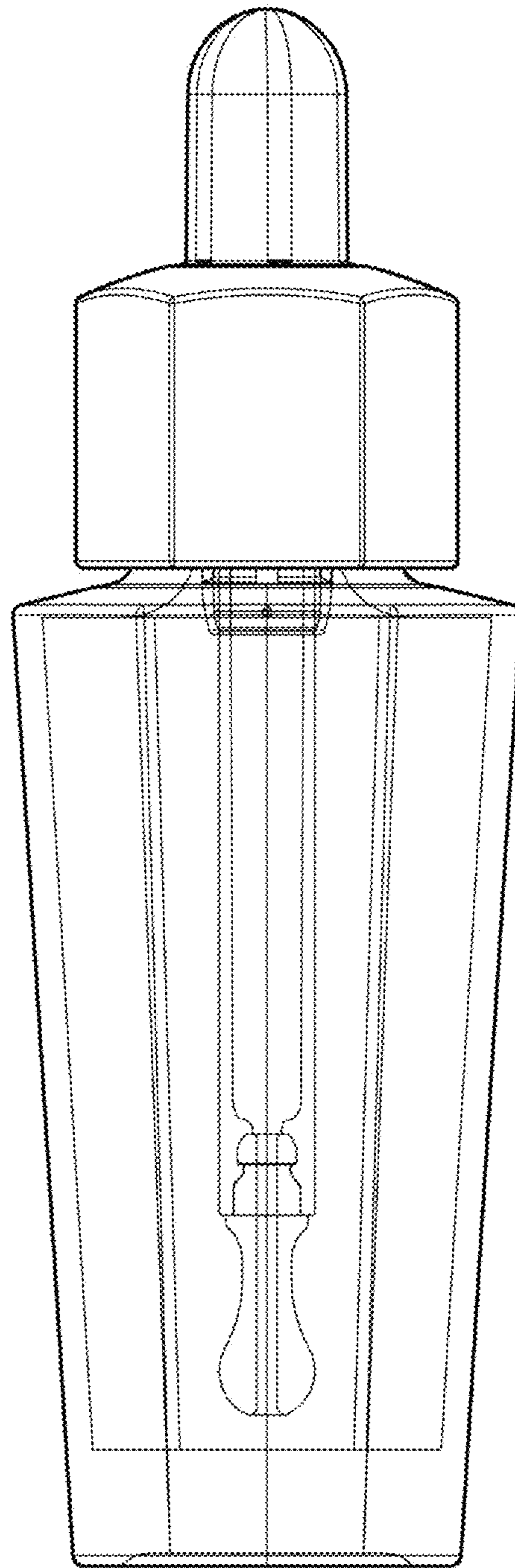
1.1



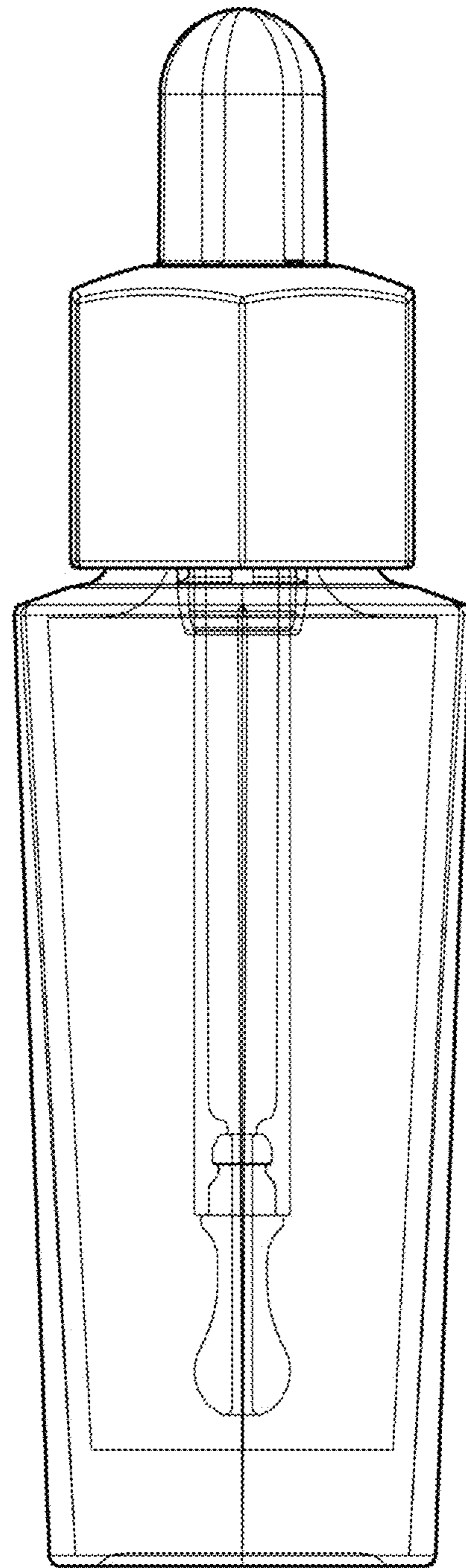
1.2



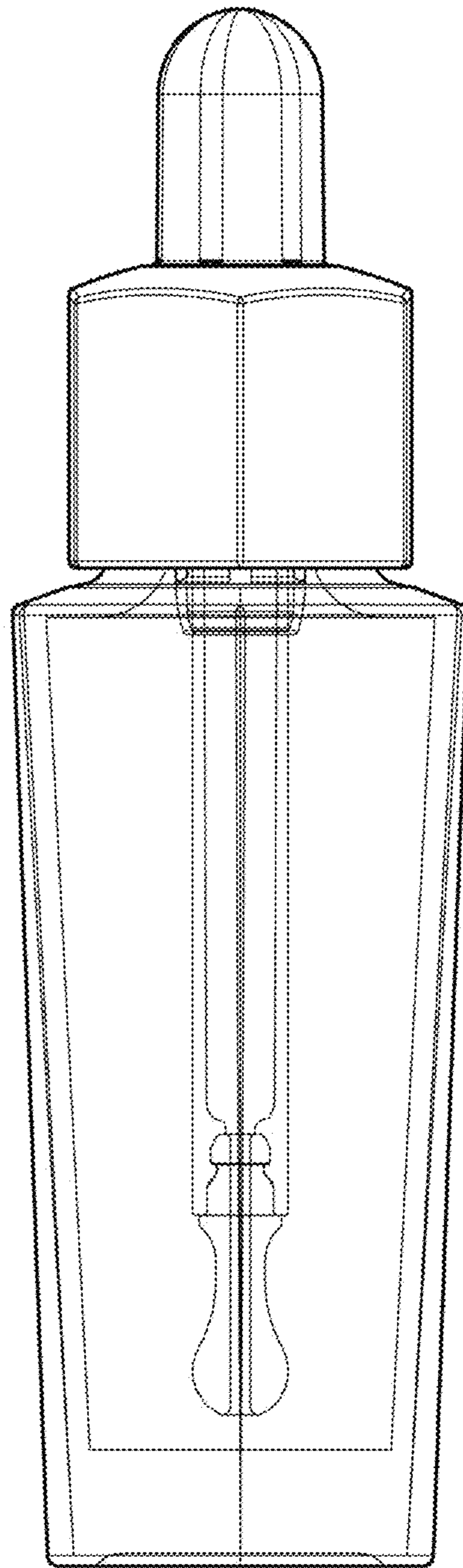
1.3



1.4



1.5



1.6

