

US00D957254S

(12) **United States Design Patent** (10) **Patent No.:** **US D957,254 S**
Neputy (45) **Date of Patent:** **** Jul. 12, 2022**

(54) **CLOSURE**

(71) Applicant: **Silgan White Cap LLC**, Downers Grove, IL (US)
(72) Inventor: **Darren Neputy**, Palos Hills, IL (US)
(73) Assignee: **Silgan White Cap LLC**, Downers Grove, IL (US)

(**) Term: **15 Years**

(21) Appl. No.: **29/763,071**
(22) Filed: **Dec. 21, 2020**

Related U.S. Application Data

(62) Division of application No. 29/606,692, filed on Jun. 7, 2017, now Pat. No. Des. 908,495.
(51) **LOC (13) Cl.** **09-07**
(52) **U.S. Cl.**
USPC **D9/452**
(58) **Field of Classification Search**
USPC D3/202, 203.1, 203.2, 273, 294, 318;
D7/300, 300.1, 316, 317, 387, 391, 392.1,
D7/393, 396.2, 509, 510, 511, 523,
D7/525-531, 538, 541, 549, 629, 703,
D7/900; D8/349, 350, 352; D9/434-443,
D9/446, 447, 448, 449, 450, 452, 453,
D9/454, 502, 503, 504, 516, 517, 529;
D24/121, 127, 199, 224; D28/7, 76, 78,
D28/82, 85, 91; D26/36, 123, 124;
D35/1, 7, 10, 11, 39
CPC B65D 50/041; B65D 23/00; B65D 1/00;
B65D 1/02; B65D 1/0223; B65D
2501/00; B65D 2501/0009; B65D 83/06
See application file for complete search history.

(56) **References Cited**

U.S. PATENT DOCUMENTS

829,341 A 8/1906 Kirkegaard
1,096,613 A 5/1914 Ernst et al.
2,433,629 A 9/1946 Shannon
D304,424 S * 11/1989 Dawson D9/453
5,190,178 A 3/1993 Luch
5,213,224 A 5/1993 Luch

(Continued)

FOREIGN PATENT DOCUMENTS

MX 14936 4/2003
MX 17957 5/2005

(Continued)

Primary Examiner — Catherine S Posthauer
(74) *Attorney, Agent, or Firm* — Reinhart Boerner Van Deuren s.c.

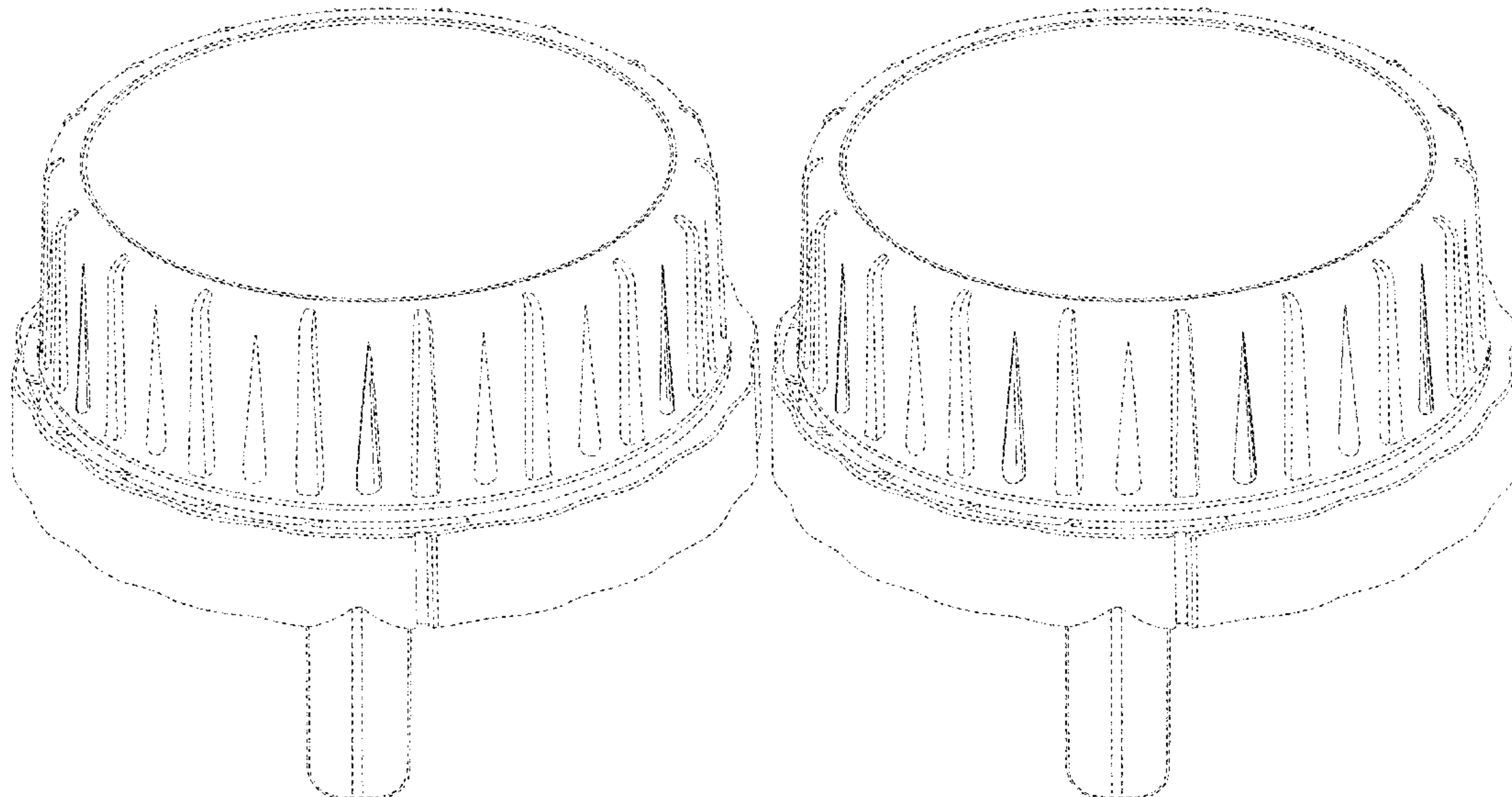
(57) **CLAIM**

I claim the ornamental design for a closure, as shown and described.

DESCRIPTION

FIG. 1 is a top perspective view of an embodiment of the claimed design;
FIG. 2 is a bottom perspective view of FIG. 1;
FIG. 3 is a top view of FIG. 1;
FIG. 4 is a bottom view of FIG. 1;
FIG. 5 is a front view of FIG. 1, the rear view, the left side view, and the right side view being similar to the front view;
FIG. 6 is a front top perspective view of another embodiment of the claimed design;
FIG. 7 is a rear bottom perspective view of FIG. 6;
FIG. 8 is a top view of FIG. 6;
FIG. 9 is a bottom view of FIG. 6; and,
FIG. 10 is a front view of FIG. 6, the rear view, the left side view, and the right side view being similar to the front view. The broken lines are shown for the purpose of illustrating parts of the article that form no part of the claimed design.

1 Claim, 8 Drawing Sheets



(56)

References Cited

U.S. PATENT DOCUMENTS

D359,685 S 1/1995 Luch
 D358,769 S 5/1995 Luch et al.
 5,593,055 A 1/1997 Repp et al.
 5,630,520 A 5/1997 Luch et al.
 D417,397 S * 12/1999 Forecast D9/438
 D420,916 S * 2/2000 Ohmi D9/453
 6,082,567 A 7/2000 Bietzer et al.
 6,499,616 B2 12/2002 Verderber
 D507,745 S 7/2005 Pitman et al.
 7,007,816 B2 3/2006 Verderber
 D537,719 S * 3/2007 Seidita D9/453
 D538,654 S * 3/2007 Seidita D9/453
 D542,656 S 5/2007 Szczesniak
 D583,237 S * 12/2008 Fuchs D9/453
 D584,619 S * 1/2009 Lohrman D9/453
 D606,864 S * 12/2009 Robinson D9/453
 D633,386 S 3/2011 Taber et al.
 D634,199 S 3/2011 Taber et al.
 D634,200 S 3/2011 Taber et al.
 D691,473 S * 10/2013 Smith D9/453
 D723,919 S 3/2015 Taber et al.
 D759,487 S * 6/2016 Jayakaran D9/453
 9,801,969 B2 10/2017 Griffis
 D885,904 S * 6/2020 Kim D9/453

D908,495 S * 1/2021 Neputy D9/453
 2002/0195414 A1 12/2002 Kim et al.
 2002/0195415 A1 12/2002 Kim et al.
 2004/0173563 A1 9/2004 Kim et al.
 2005/0269282 A1 12/2005 Luch
 2007/0221672 A1 9/2007 Kim et al.
 2011/0290755 A1 12/2011 Taber et al.
 2014/0263335 A1 9/2014 Taber et al.

FOREIGN PATENT DOCUMENTS

MX 18731 9/2005
 MX 19911 1/2006
 MX PA/06010056 9/2006
 MX PA/f/2006001691 9/2006
 MX 23458 8/2007
 MX 24032 10/2007
 MX 24033 10/2007
 MX 28668 7/2009
 MX 31410 7/2010
 MX 31893 9/2010
 MX 31894 9/2010
 MX 31895 9/2010
 MX 39598 8/2013
 MX 41683 6/2014

* cited by examiner

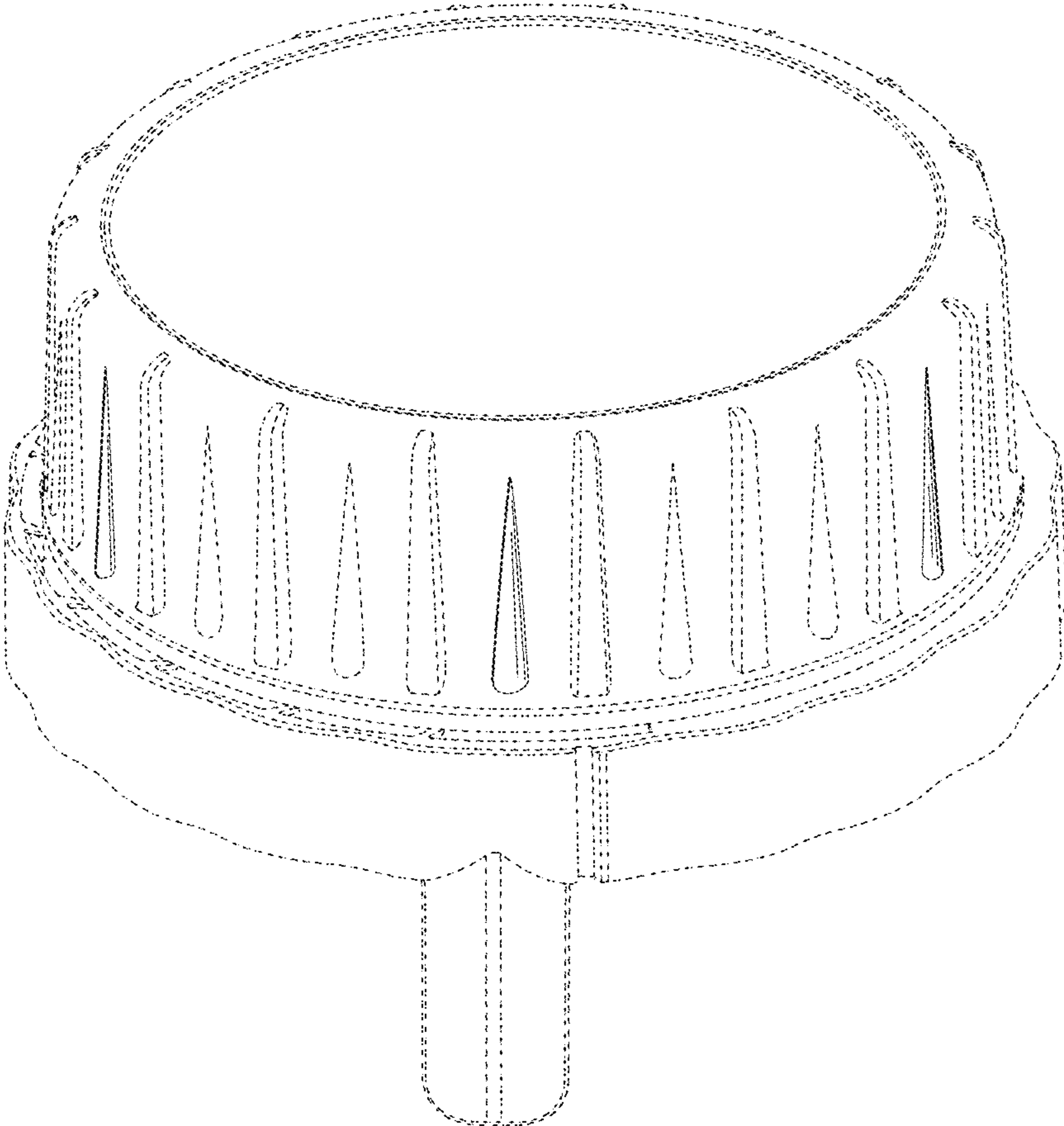


FIG. 1

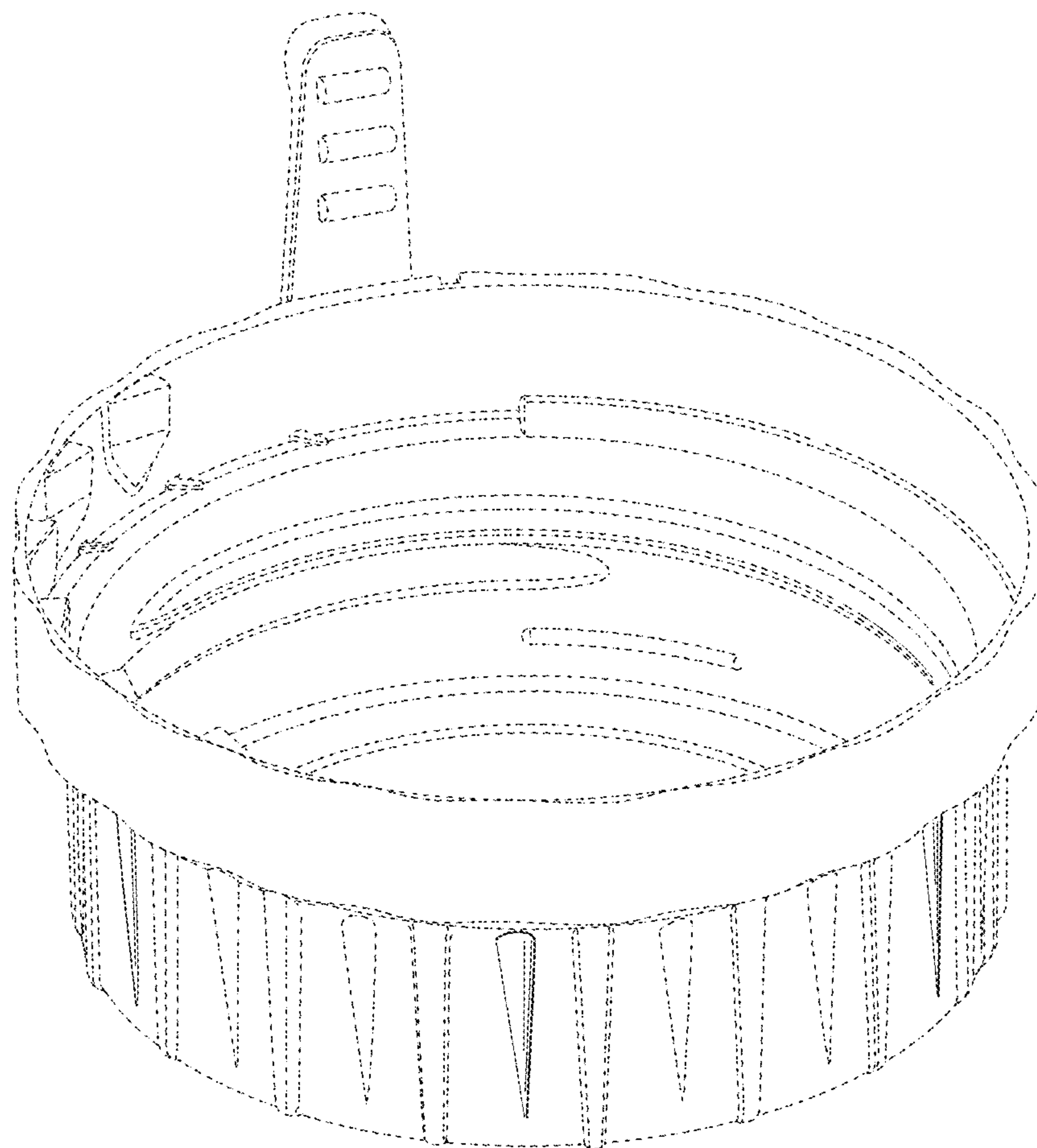


FIG. 2

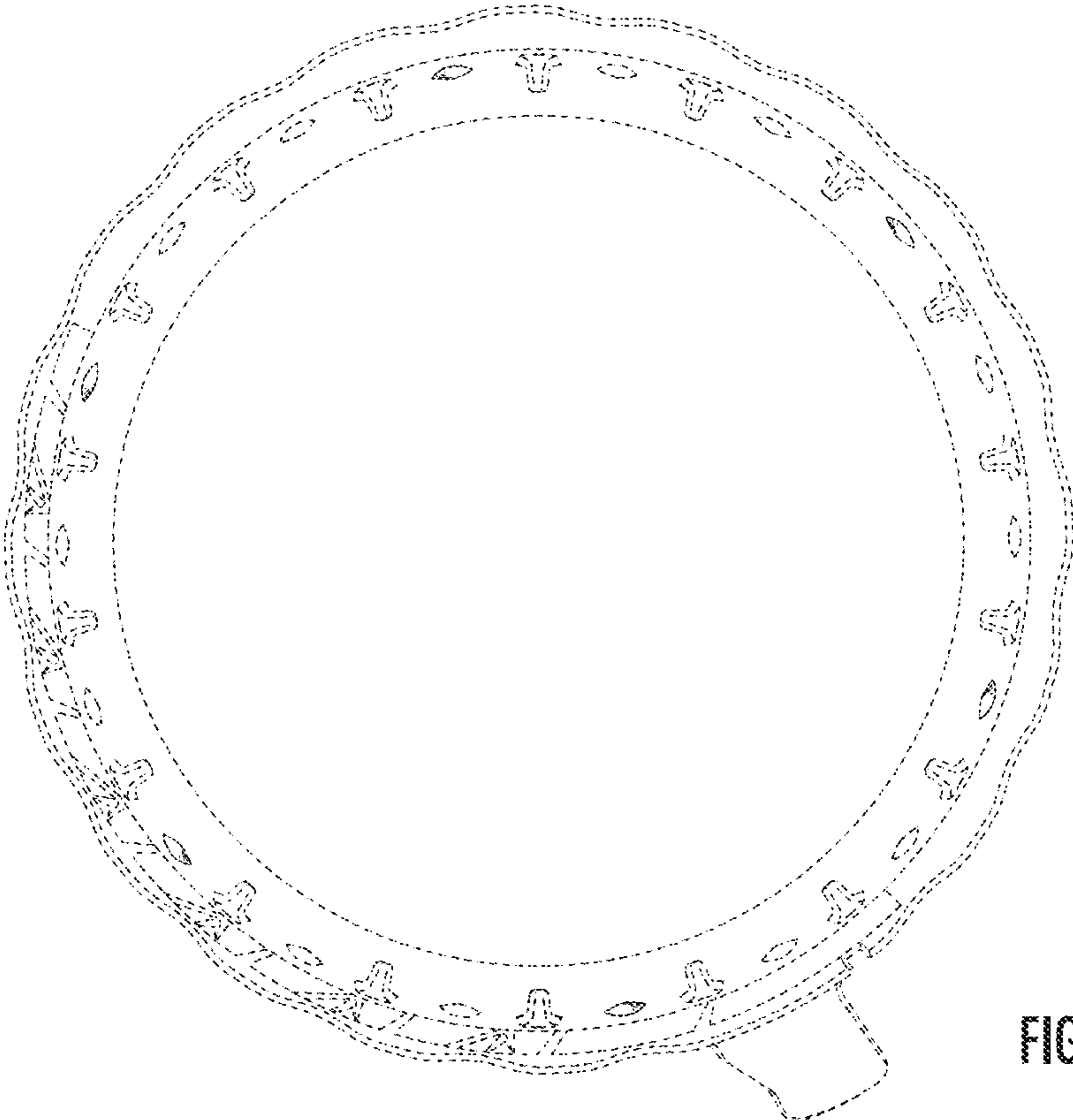


FIG. 3

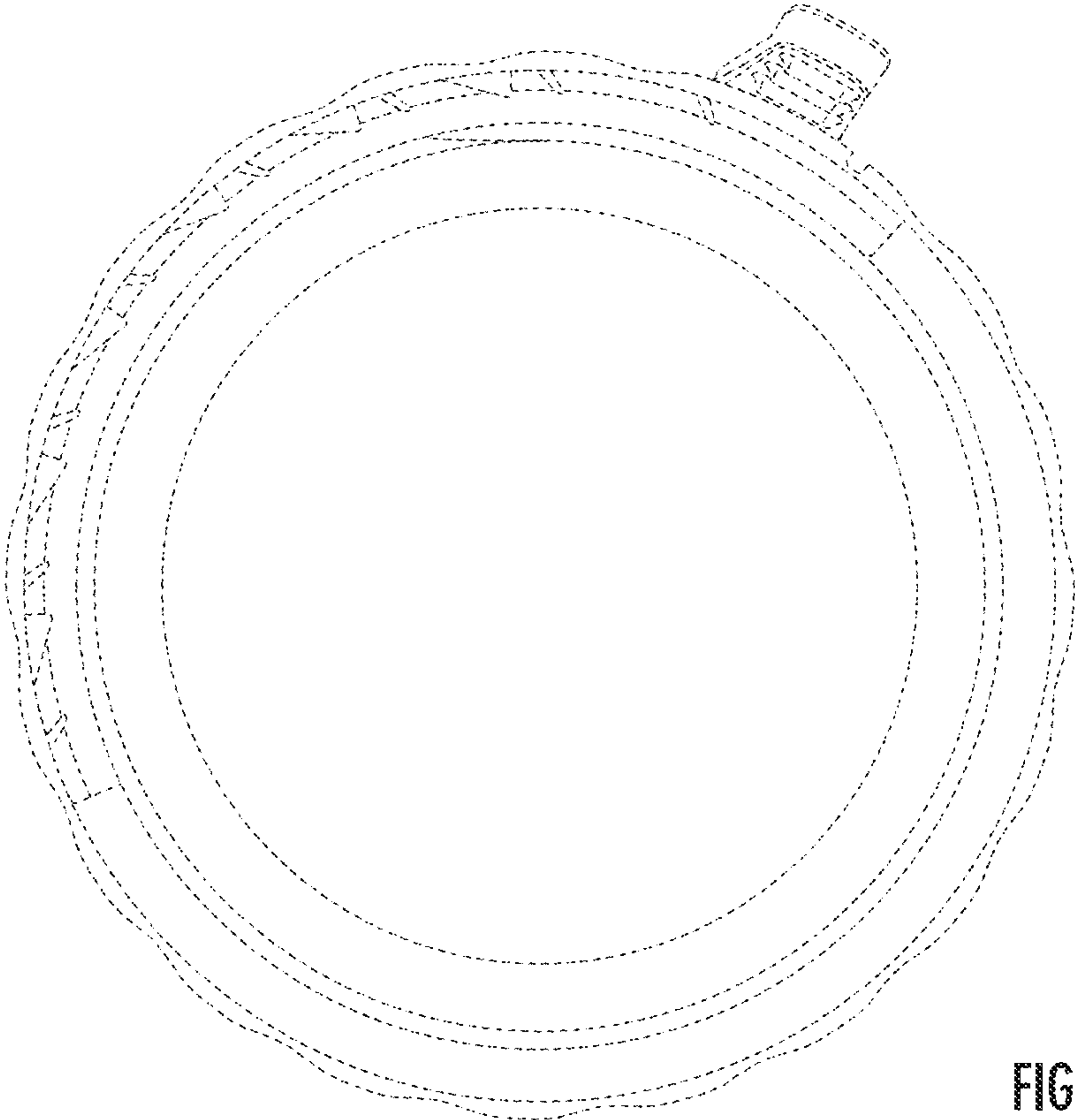


FIG. 4

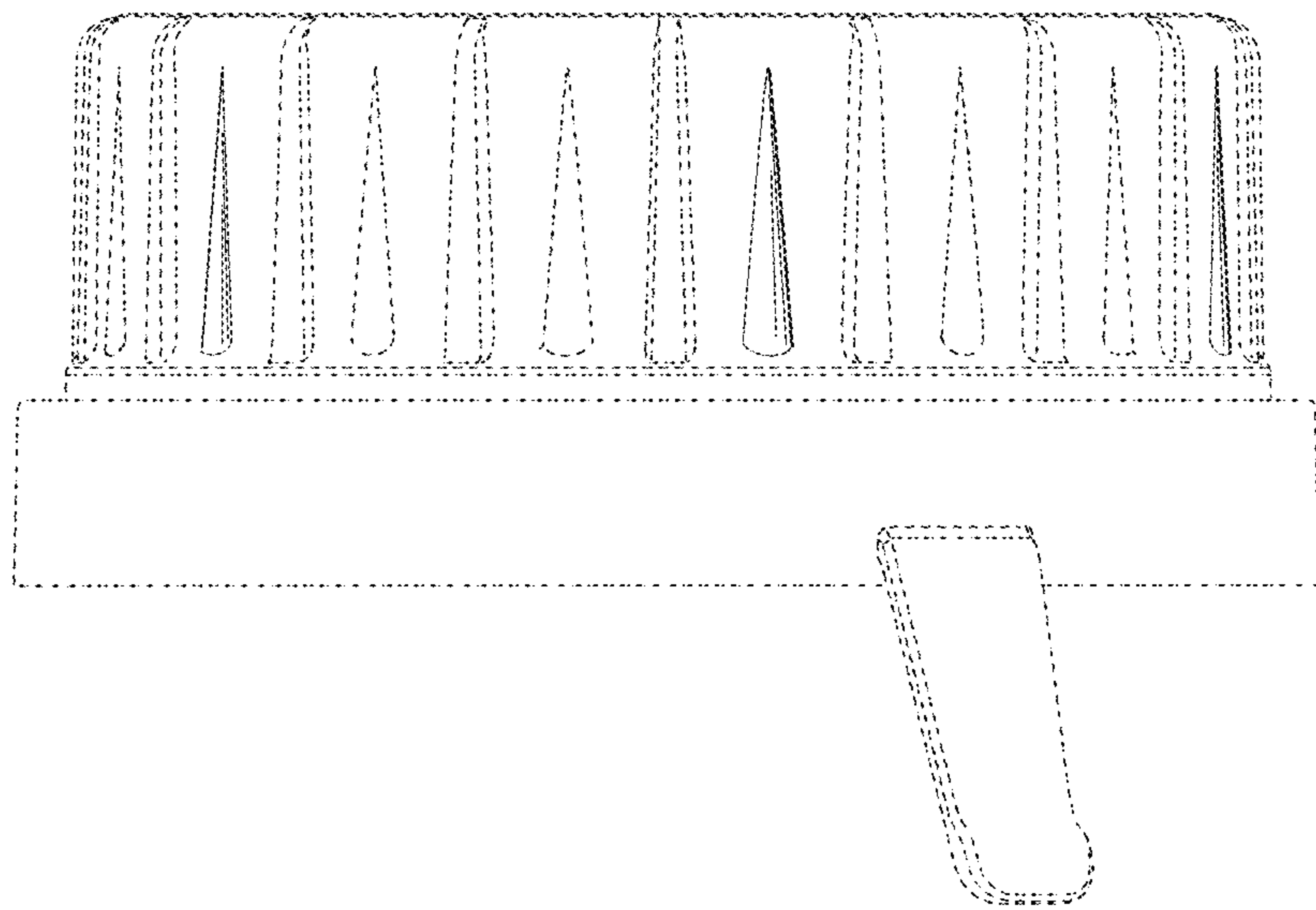


FIG. 5

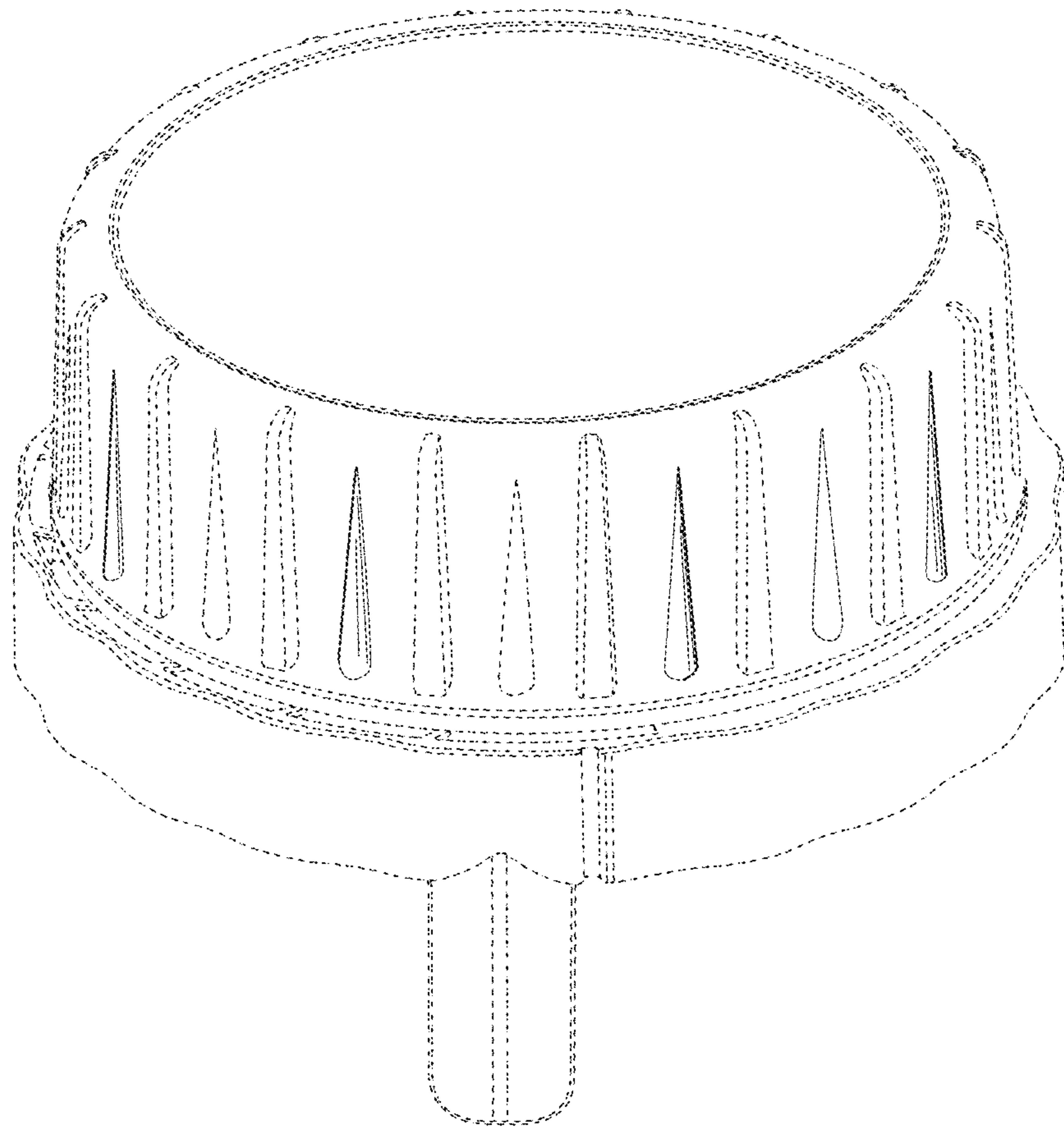


FIG. 6

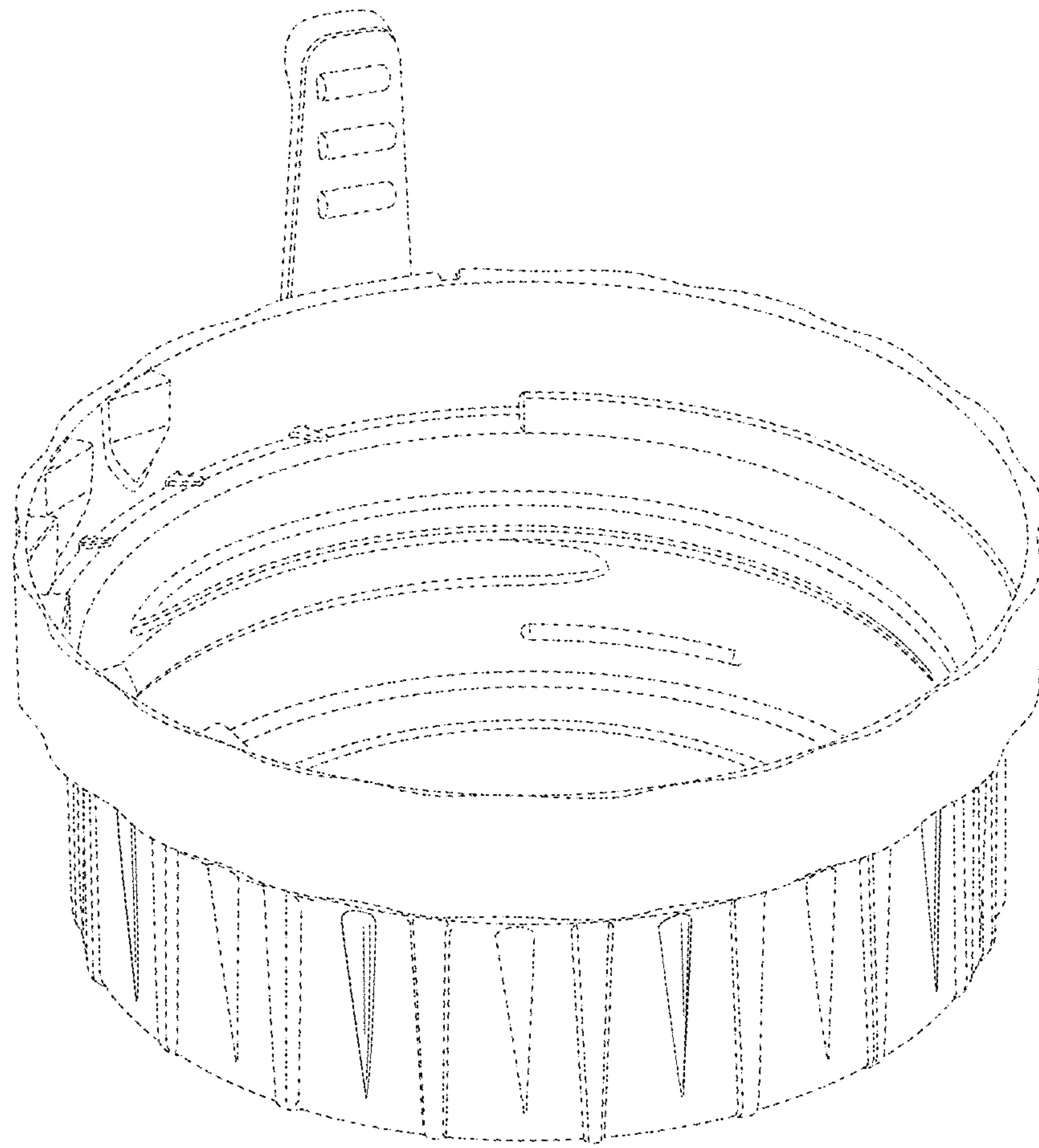


FIG. 7

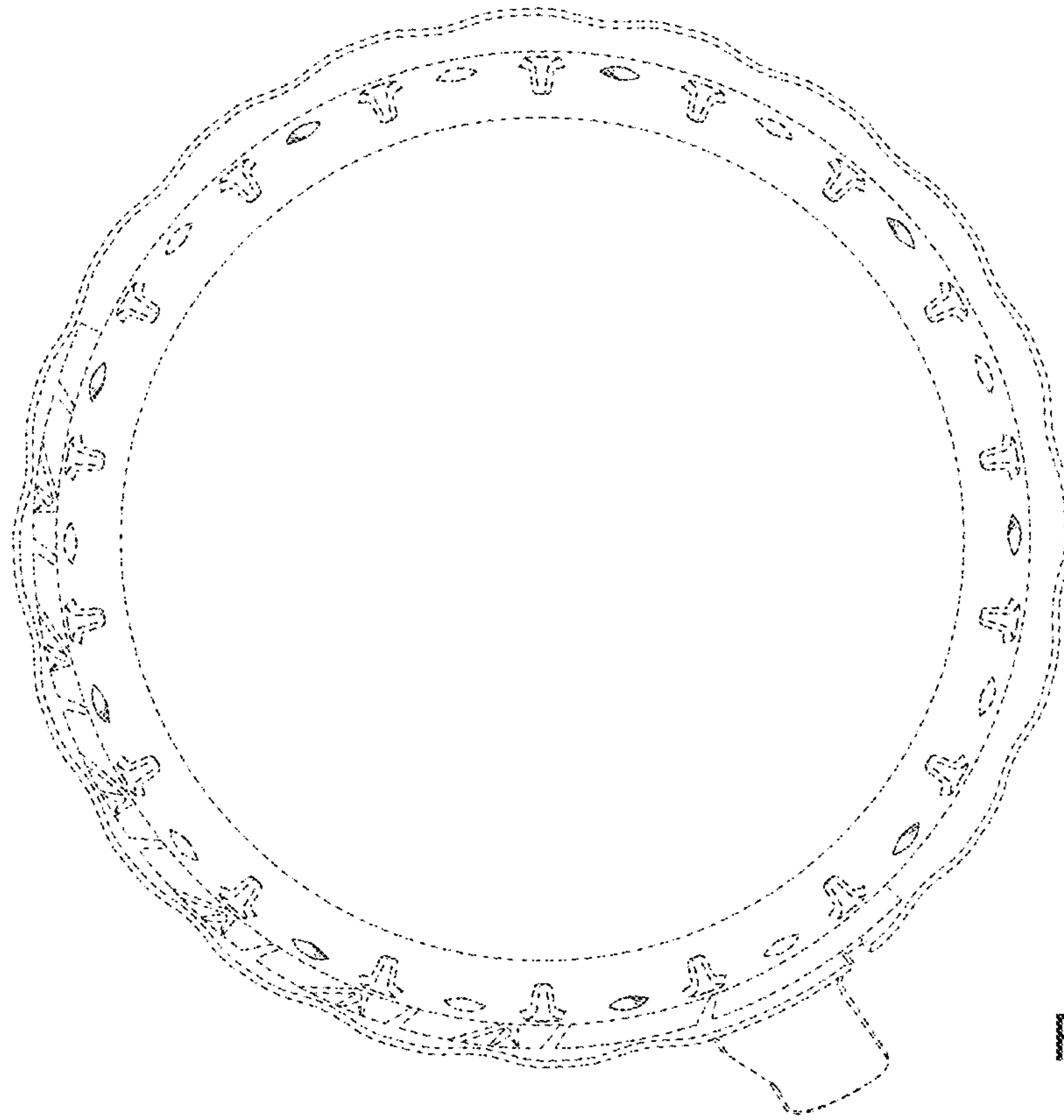


FIG. 8

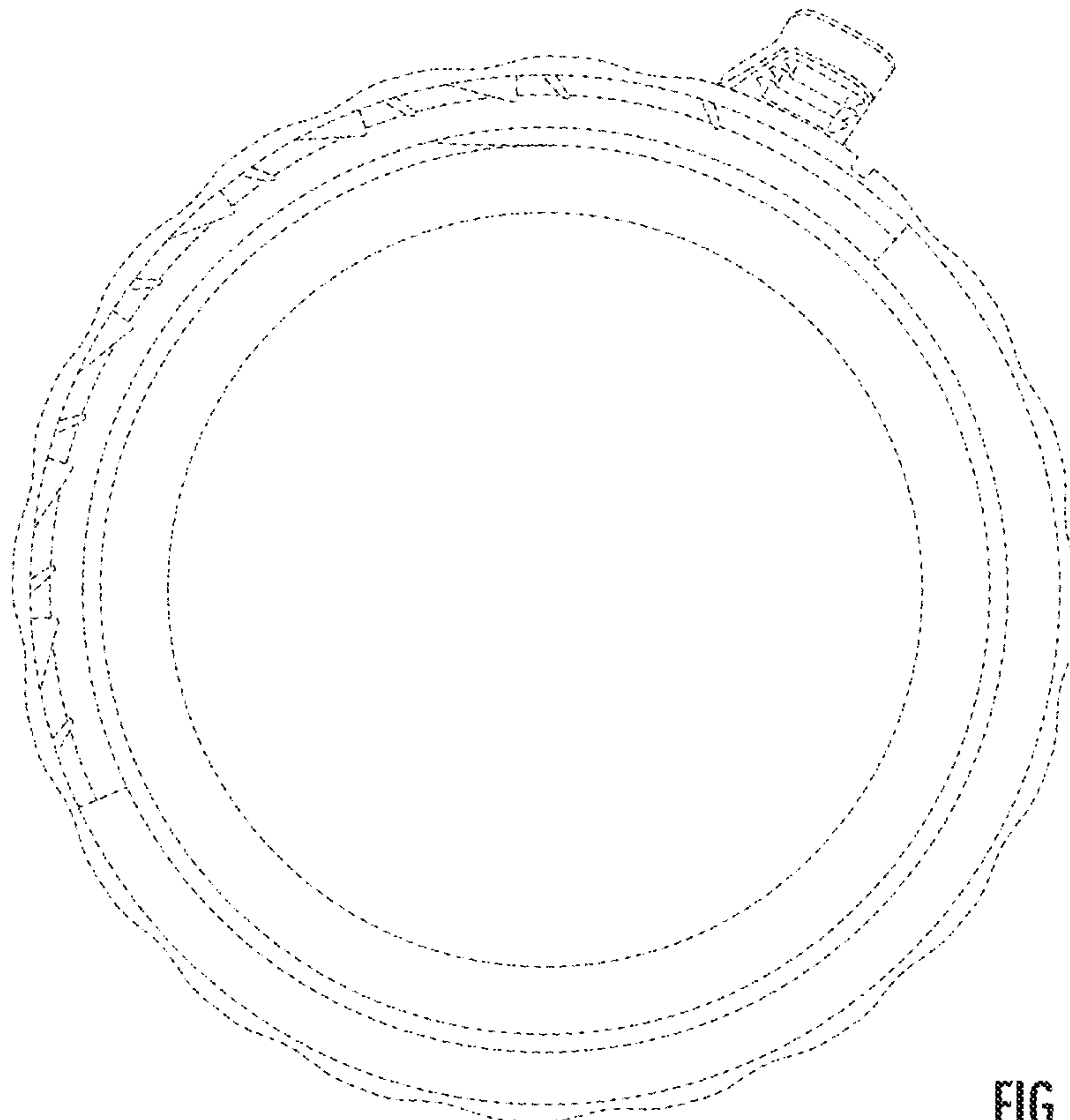


FIG. 9

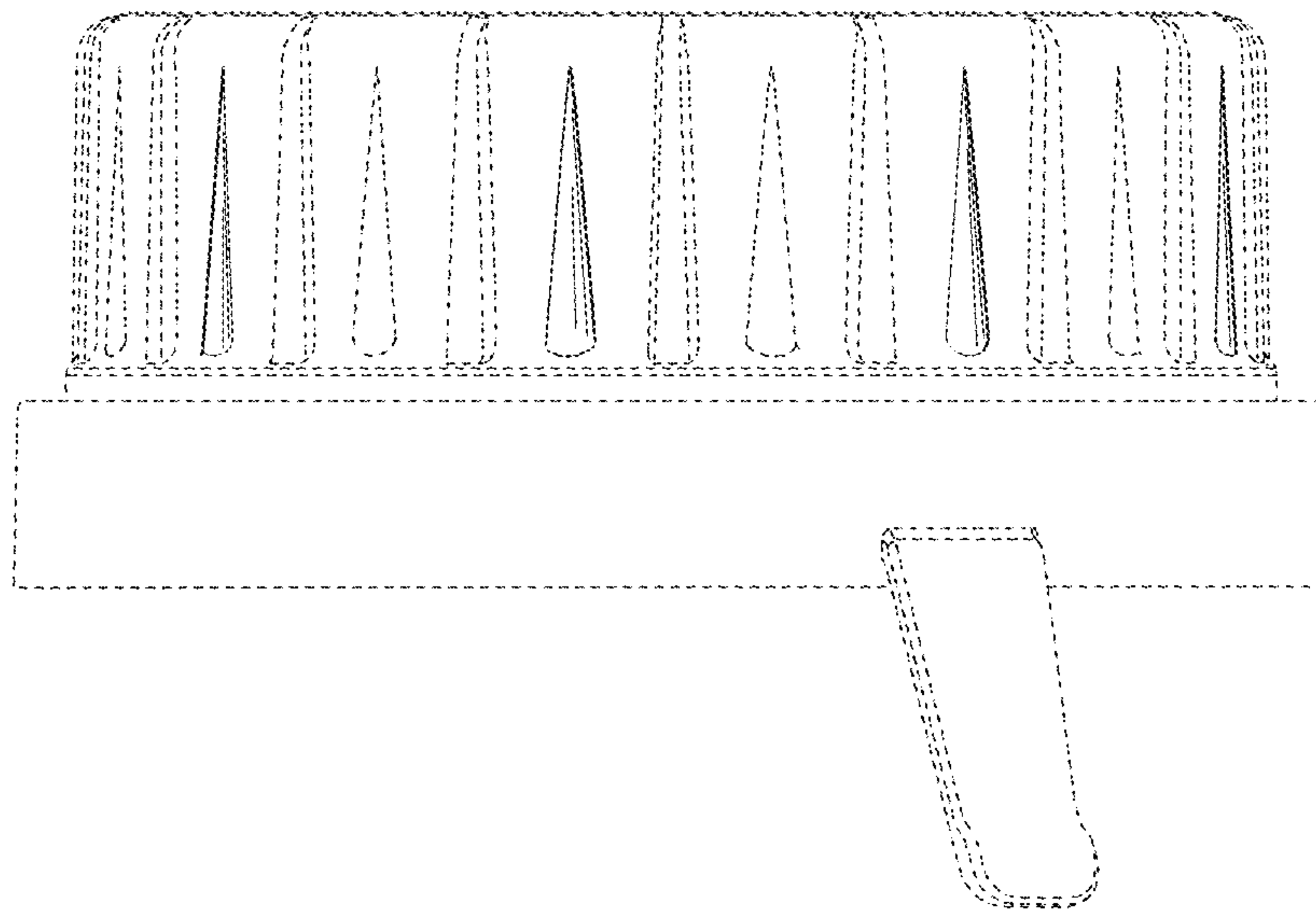


FIG. 10