



US00D957253S

(12) **United States Design Patent**
Johnson et al.

(10) **Patent No.:** **US D957,253 S**
(45) **Date of Patent:** **** Jul. 12, 2022**

(54) **BOTTLE CAP**

(71) Applicant: **Nicole Johnson**, Oakland Park, FL
(US)

(72) Inventors: **Nicole Johnson**, Fort Lauderdale, FL
(US); **Ruben Ferreira**, Weston, FL
(US); **Alexis Enrique Novoa**, Fort
Lauderdale, FL (US)

(**) Term: **15 Years**

(21) Appl. No.: **29/798,390**

(22) Filed: **Jul. 7, 2021**

(51) **LOC (13) Cl.** **09-07**

(52) **U.S. Cl.**
USPC **D9/451; D9/453**

(58) **Field of Classification Search**
USPC D9/435, 436, 439, 440, 442-445, 447,
D9/449, 450, 452-454, 499, 503, 504,
D9/516, 529, 434, 441, 451, 600, 601,
D9/607, 608; D7/387, 391, 392, 392.1,
D7/396.1, 396.2, 397, 398, 510, 511, 900,
D7/301, 514, 519, 539, 551.3, 564, 606;
D3/202
CPC .. A61J 1/00; A61J 1/1412; B65D 1/00; B65D
1/02; B65D 1/10; B65D 1/46; B65D
5/46; B65D 41/00; B65D 41/26; B65D
41/38; B65D 41/56; B65D 41/62; B65D
43/00; B65D 47/00; B65D 47/04; B65D
47/06; B65D 47/061; B65D 47/065;
B65D 47/08; B65D 47/12; B65D 47/122;
B65D 47/40; B65D 2251/00; B65D
2543/00046; B65D 2543/00092; B65D
2543/00296

See application file for complete search history.

(56) **References Cited**

U.S. PATENT DOCUMENTS

4,752,014 A 6/1988 House et al.
D315,507 S * 3/1991 Ochs D9/453

D318,804 S * 8/1991 Ochs D9/453
5,695,086 A 12/1997 Viola
D389,062 S * 1/1998 Ekkert D9/453
D399,743 S 10/1998 Coon et al.

(Continued)

FOREIGN PATENT DOCUMENTS

CN 302371144 * 3/2013
CN 207174398 U 4/2018

(Continued)

OTHER PUBLICATIONS

Buzz Feed News “This Lab Found Out What’s Actually In The Kardashians’ Favorite Hair Vitamin” (online) posted by Letitia Miranda and Ciara Allen on Sep. 30, 2016. Retrieved from Internet Mar. 26, 2022, URL: <https://www.buzzfeednews.com/article/leticiamiranda/sugarbearhair-wut> (6 pages). (Year: 2016).*

Primary Examiner — Wendy L Arminio
(74) *Attorney, Agent, or Firm* — The Keys Law Firm PLLC

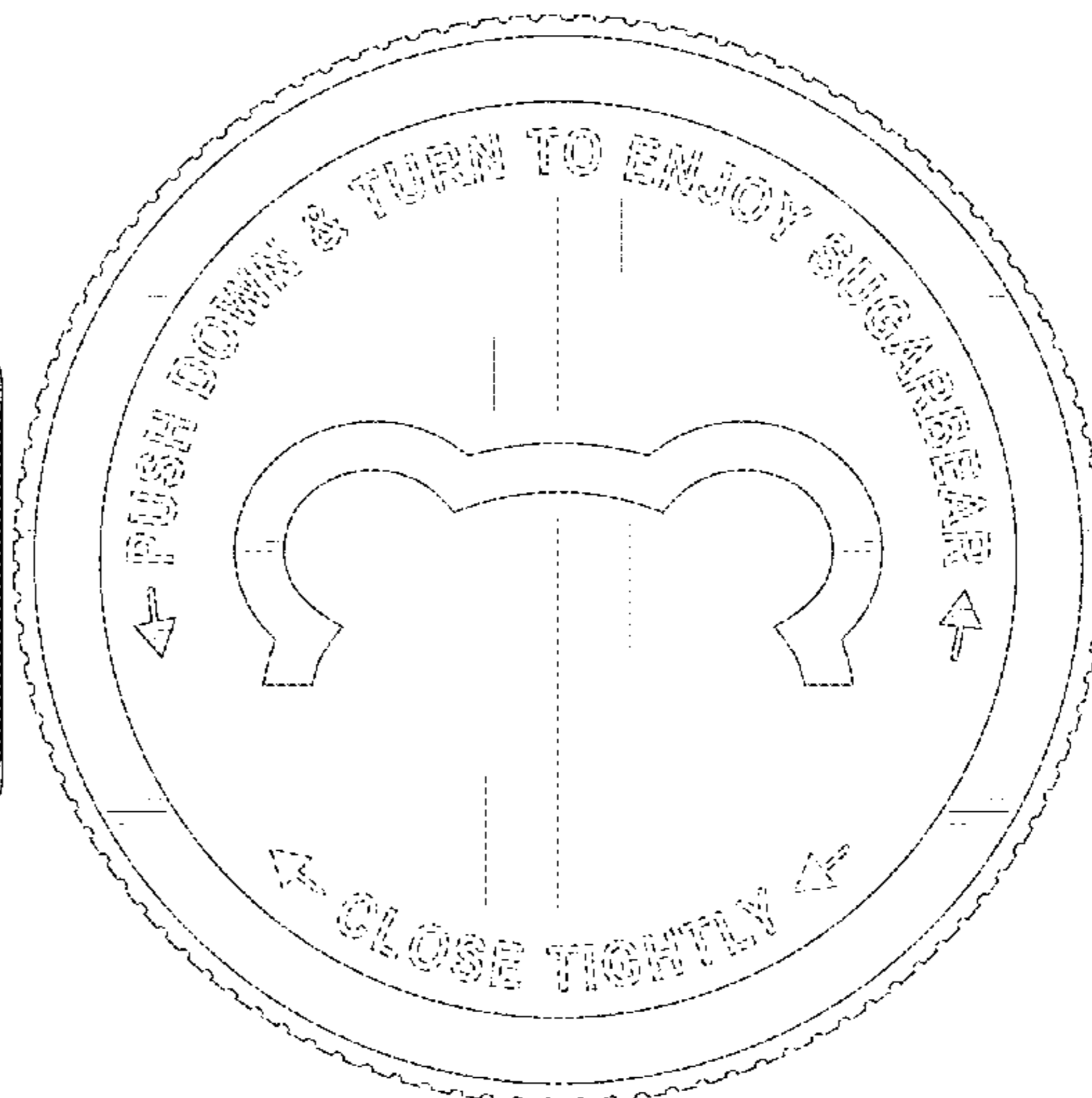
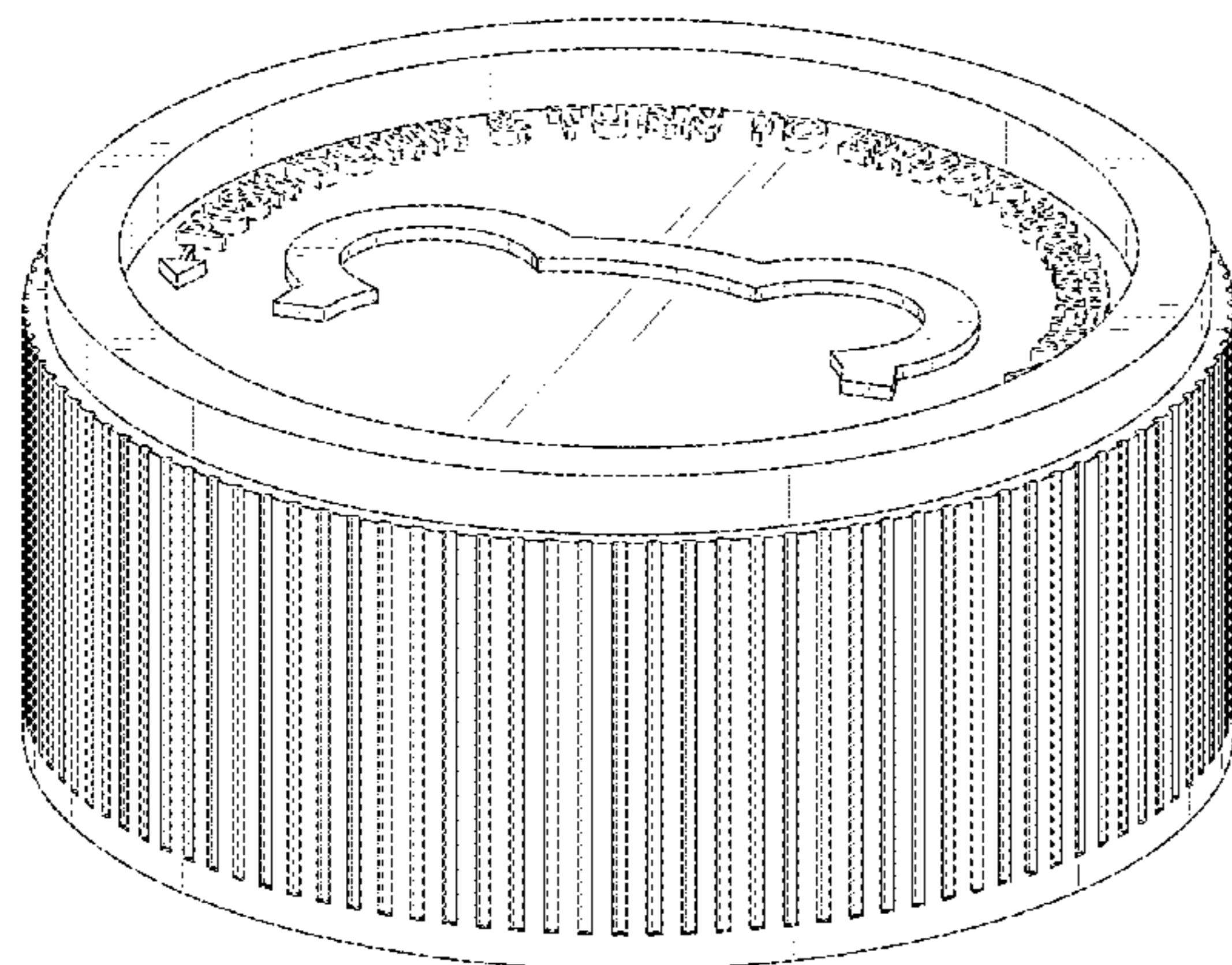
(57) **CLAIM**

The ornamental design for a bottle cap, as shown and described.

DESCRIPTION

FIG. 1 is a front perspective view of a bottle cap, showing our new design;
FIG. 2 is a rear perspective view thereof;
FIG. 3 is a front elevational view thereof;
FIG. 4 is a rear elevational view thereof;
FIG. 5 is a left side elevational view thereof;
FIG. 6 is a right side elevational view thereof;
FIG. 7 is top plan view thereof; and,
FIG. 8 is a bottom plan view thereof.
The broken lines, and the area within the broken lines, depict portions of the bottle cap that form no part of the claimed design.

1 Claim, 6 Drawing Sheets



(56)

References Cited

U.S. PATENT DOCUMENTS

6,065,623 A * 5/2000 Hierzer B65D 51/245
 40/454
 D427,068 S * 6/2000 Hierzer D9/453
 D437,228 S * 2/2001 Collins D9/453
 D476,563 S * 7/2003 Brozell D9/452
 D481,948 S * 11/2003 Brozell D9/453
 D489,005 S 4/2004 Miceli et al.
 D490,707 S 6/2004 Mataya
 D515,352 S * 2/2006 Roth D9/451
 D534,802 S * 1/2007 German D9/453
 D586,213 S 2/2009 Wells et al.
 D601,020 S * 9/2009 Arnell D9/451
 D607,326 S * 1/2010 Branson D9/453
 D677,160 S 3/2013 Krause
 D681,465 S * 5/2013 Cox D9/441
 D727,152 S 4/2015 Yaseen
 D770,280 S 11/2016 Katopis
 D771,493 S 11/2016 Katopis

D772,710 S 11/2016 Katopis
 D773,932 S 12/2016 Katopis
 D820,679 S 6/2018 Ali
 10,071,840 B2 * 9/2018 Roussy B65D 51/245
 D853,784 S * 7/2019 Wu D7/392.1
 D860,936 S 9/2019 Jia
 10,479,564 B2 * 11/2019 Li B65D 51/246
 D872,577 S 1/2020 Kim
 D880,299 S 4/2020 Reaux
 D897,844 S 10/2020 Bini et al.
 D913,091 S * 3/2021 Müller D9/434
 2010/0072163 A1 * 3/2010 Krause B65D 55/0854
 215/230
 2019/0031410 A1 * 1/2019 Vazquez B65D 1/10

FOREIGN PATENT DOCUMENTS

CN 306409444 * 3/2021
 HK 1501583-0001 * 10/2015

* cited by examiner

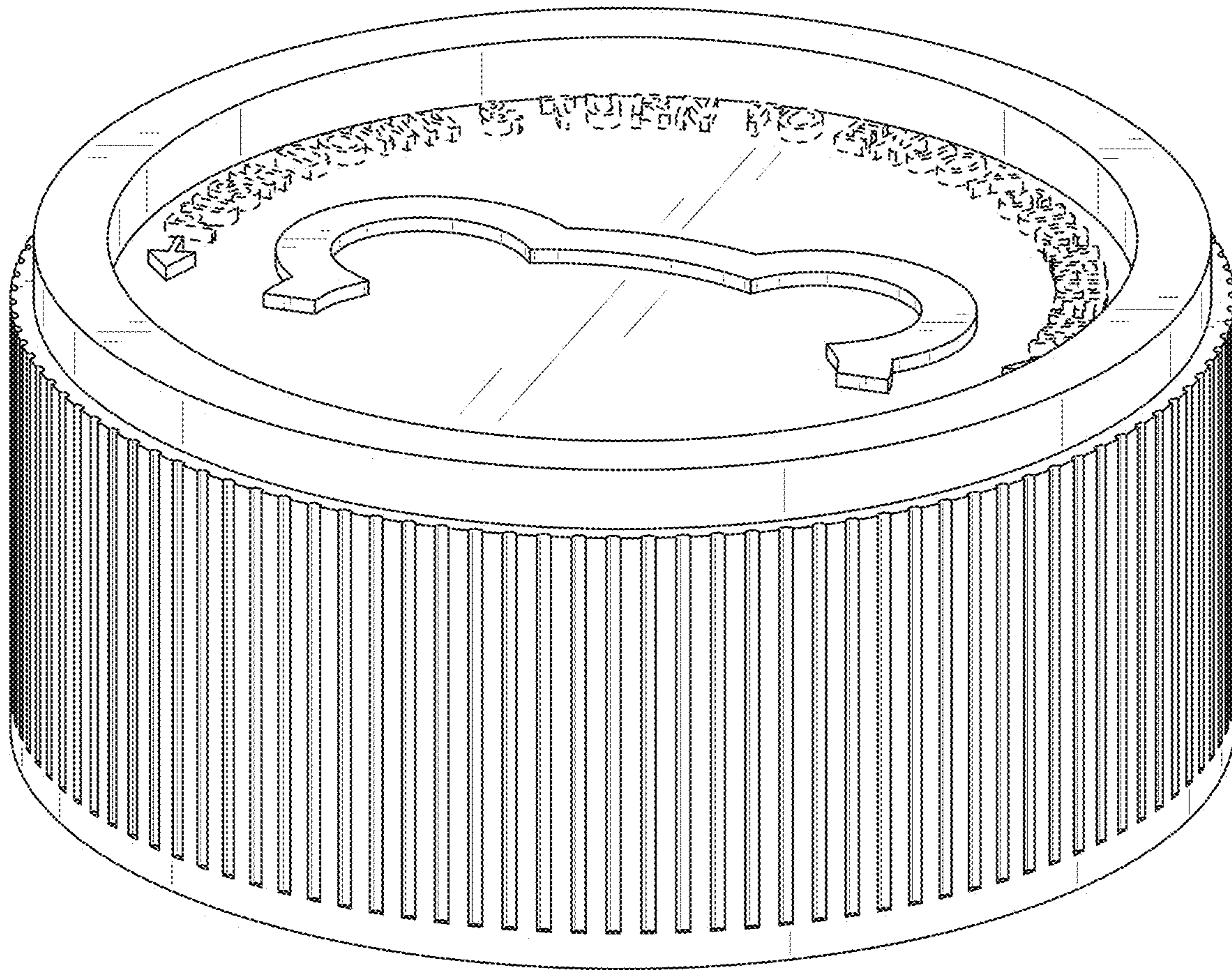


FIG. 1

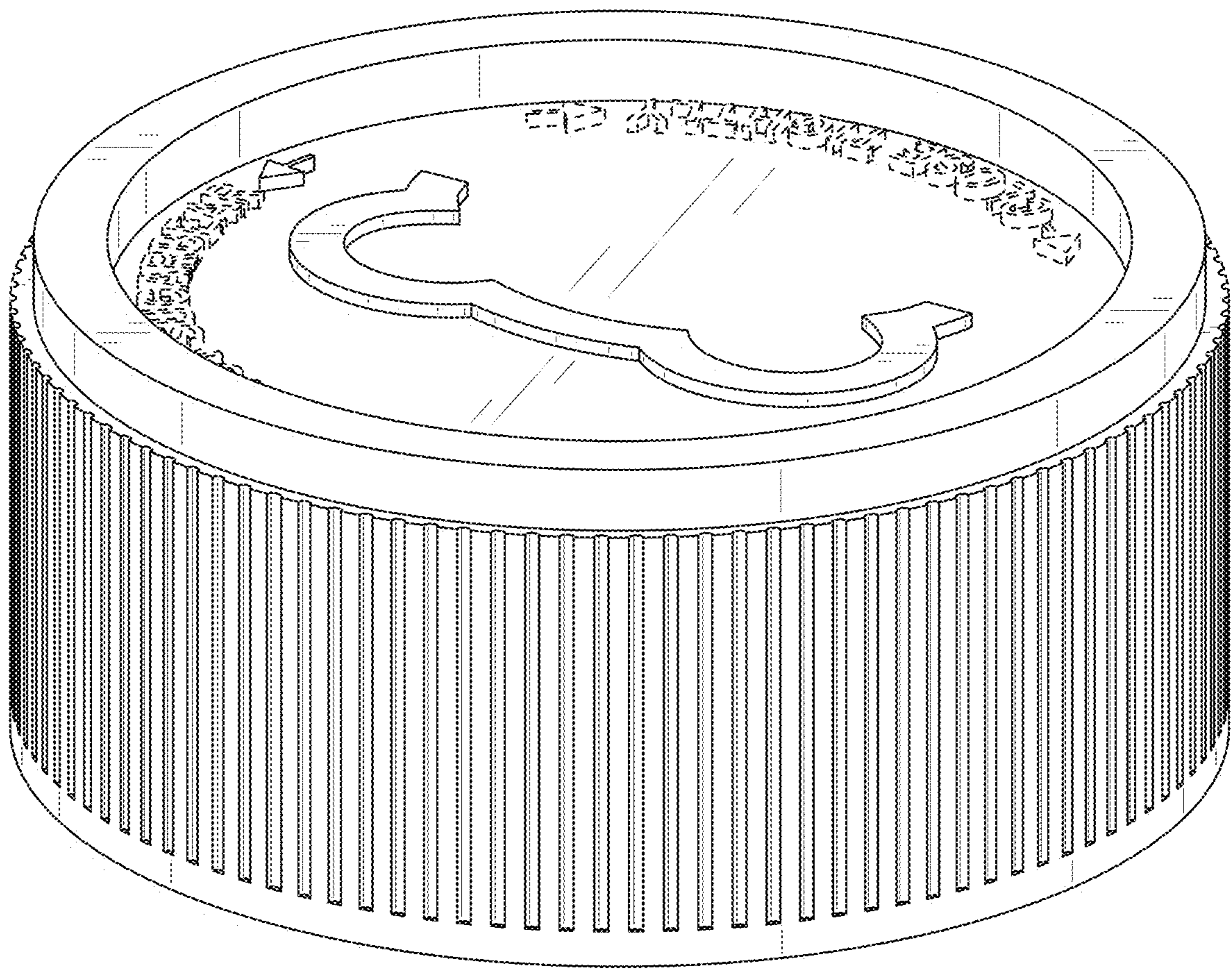


FIG. 2

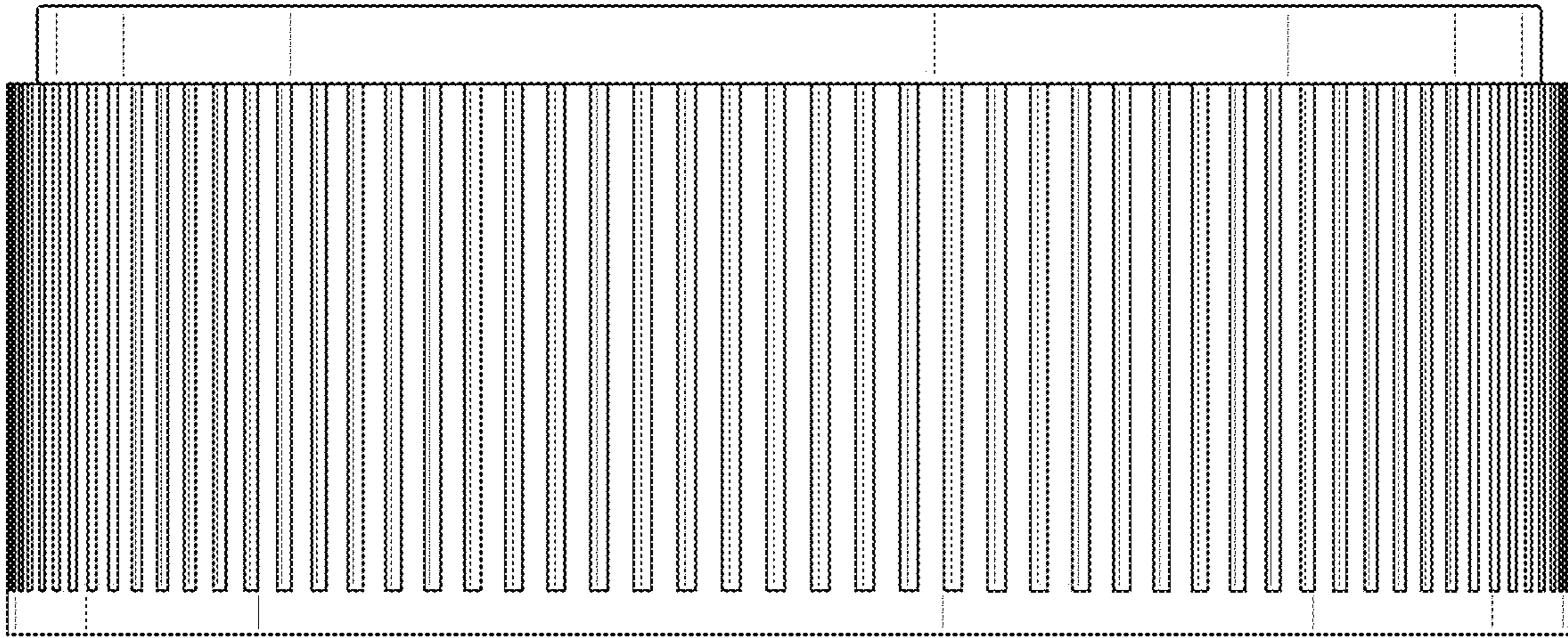


FIG. 3

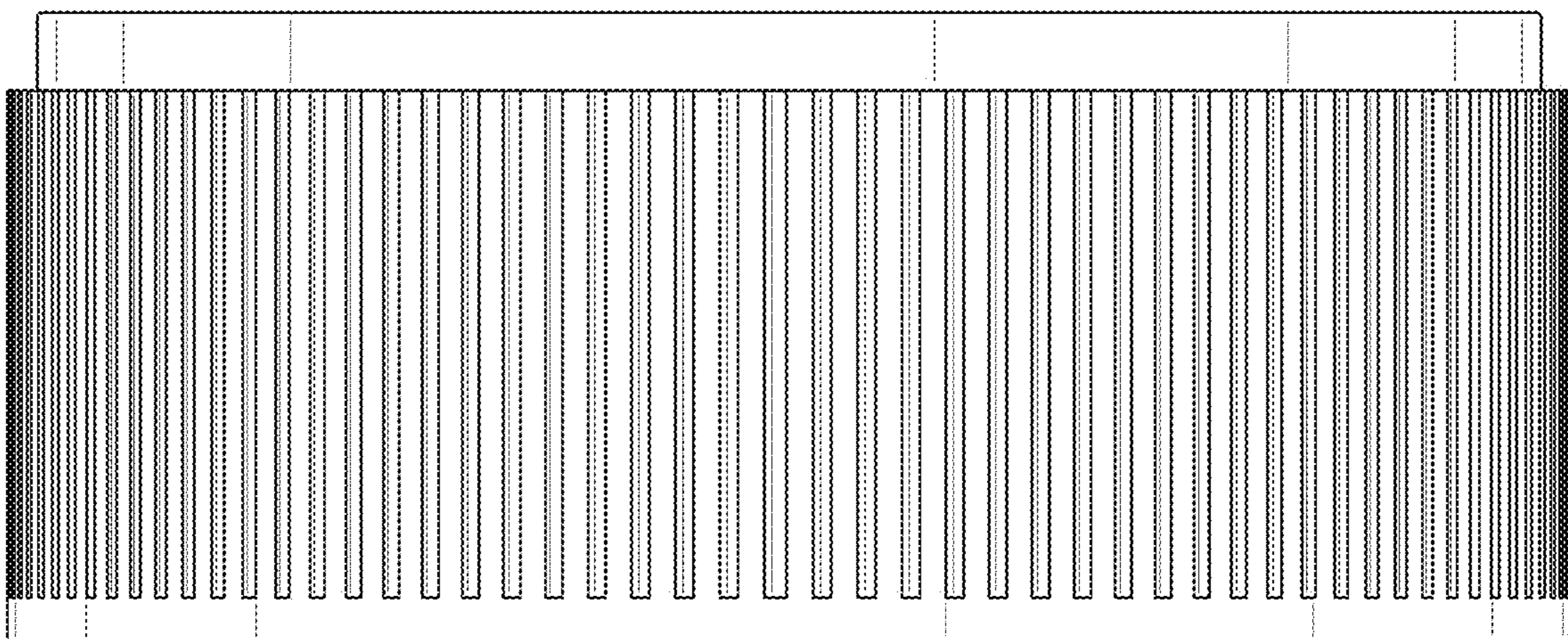


FIG. 4

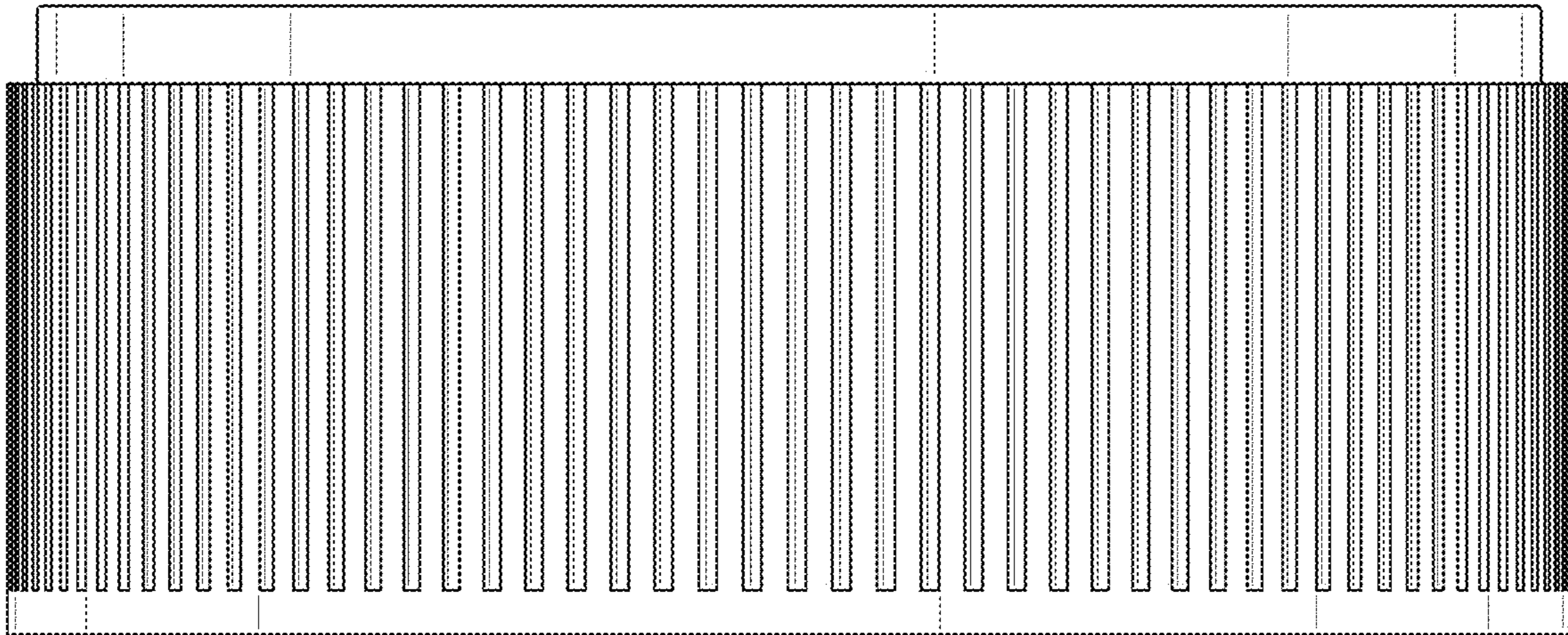


FIG. 5

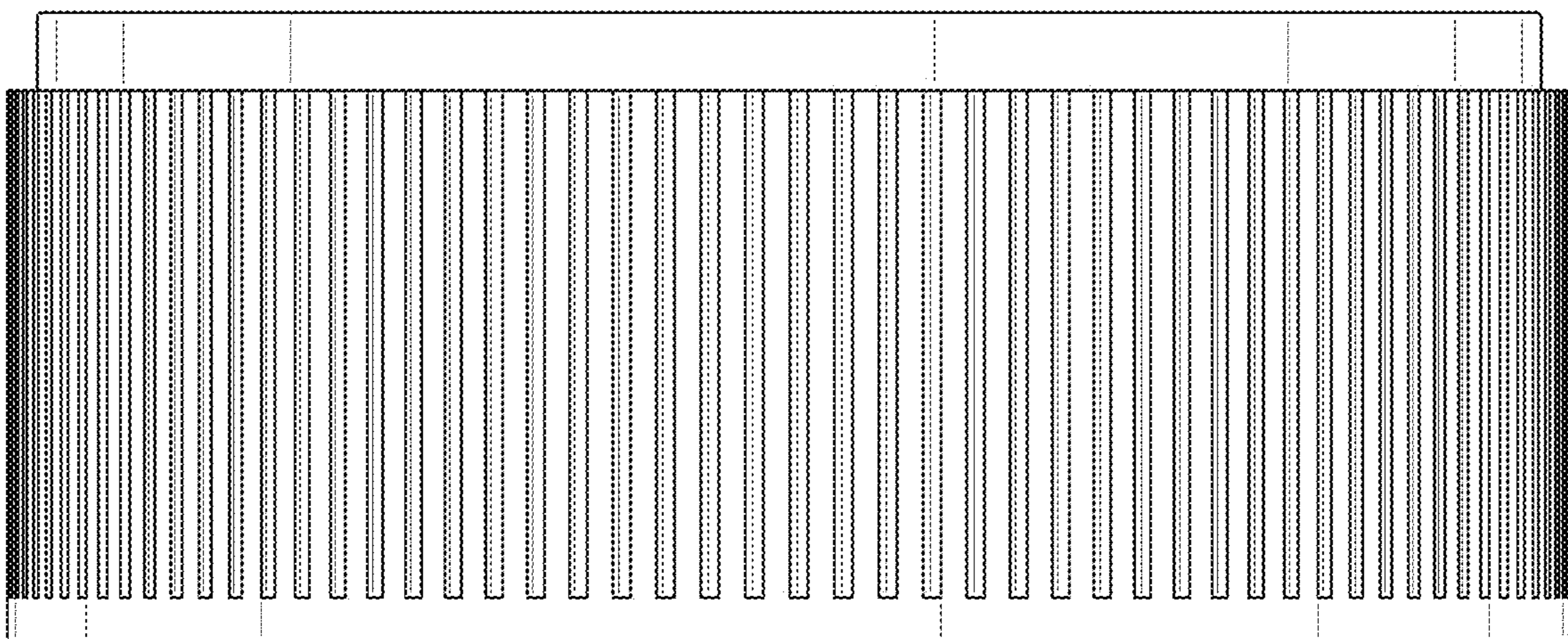


FIG. 6



FIG. 7

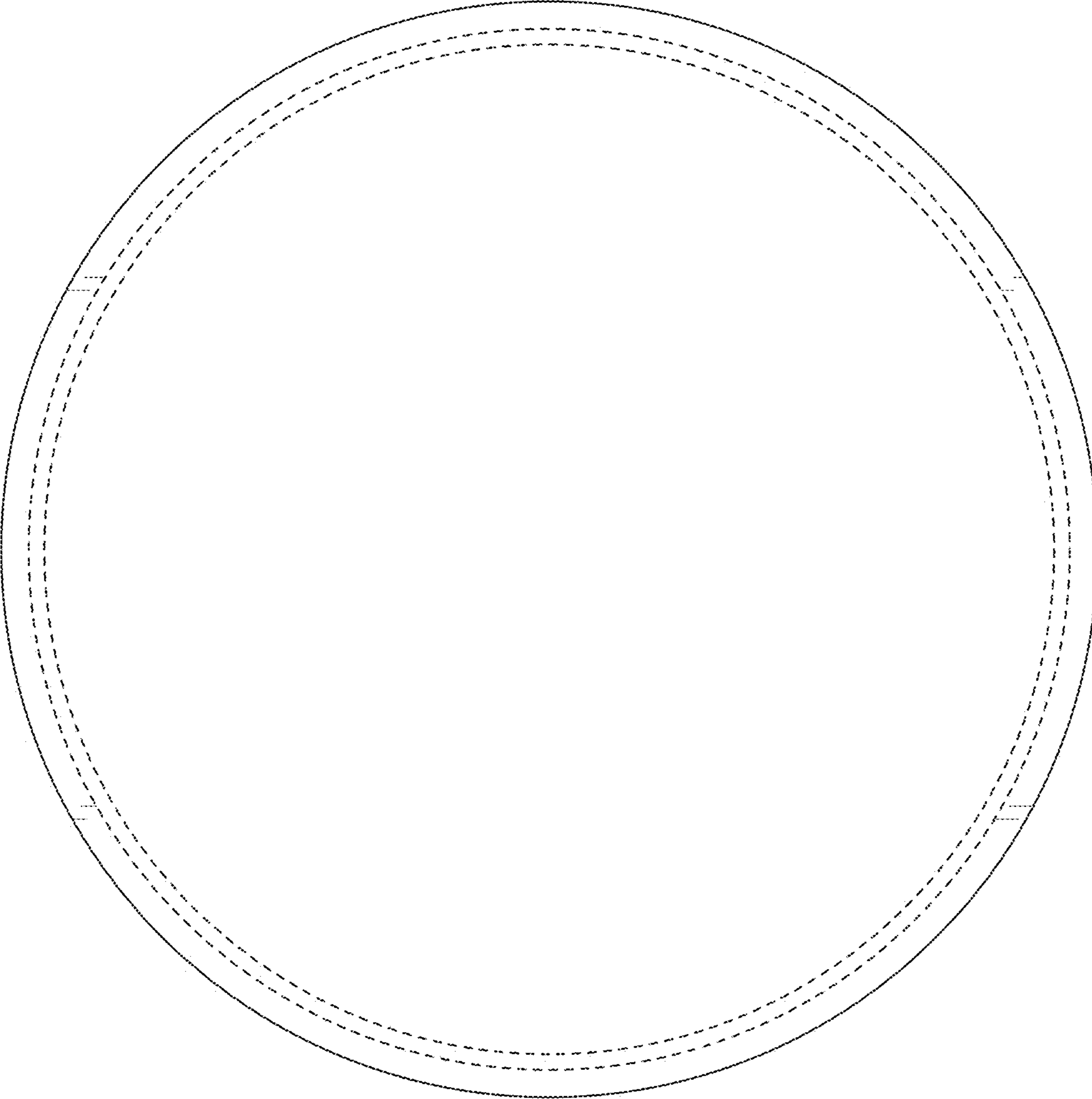


FIG. 8