



US00D957252S

(12) **United States Design Patent** (10) **Patent No.:** **US D957,252 S**
Fleischmann (45) **Date of Patent:** **** Jul. 12, 2022**

(54) **ANTI-DRIP DEVICE FOR NECKS OF CONTAINERS**
(71) Applicant: **Bela Fleischmann**, Csolnok (HU)
(72) Inventor: **Bela Fleischmann**, Csolnok (HU)
(**) Term: **15 Years**
(21) Appl. No.: **29/728,599**
(22) Filed: **Mar. 19, 2020**
(51) **LOC (13) Cl.** **09-07**
(52) **U.S. Cl.**
USPC **D9/436**; D9/444
(58) **Field of Classification Search**
USPC D7/392.1, 396.2; D9/434-436, 440, 447,
D9/449, 454, 499, 443-445
CPC .. B65D 81/20; B65D 81/2038; B65B 31/047;
B65B 31/04
See application file for complete search history.

D718,136 S * 11/2014 Harrity D9/499
D730,734 S * 6/2015 Rapparini D9/454
D734,167 S * 7/2015 Richard D9/719
D744,276 S * 12/2015 Olin D7/392.1
D747,138 S * 1/2016 Hakim D7/396.2
D836,403 S * 12/2018 Spivey D7/608
D846,358 S * 4/2019 Winter D7/624.2
D861,432 S * 10/2019 Ou D7/672
D875,478 S * 2/2020 Bingham A47G 23/02
D930,431 S * 9/2021 Cox D7/396.2
D934,680 S * 11/2021 Schultz D7/392.1
2018/0110350 A1* 4/2018 Bingham A47G 23/02

(56) **References Cited**
U.S. PATENT DOCUMENTS
5,222,656 A * 6/1993 Carlson B65D 81/3876
220/738
D417,847 S * 12/1999 Rush D7/629
D470,050 S * 2/2003 Renz D9/434
D524,118 S * 7/2006 Gregorczyk D7/624.2
D543,844 S * 6/2007 Cook D9/444
D547,653 S * 7/2007 Wong D9/444
D594,707 S * 6/2009 Silverstein D7/624.2
D594,708 S * 6/2009 Silverstein D7/624.2
D611,772 S * 3/2010 Silverstein D7/624.2
D634,588 S * 3/2011 Cook D7/619.1
D634,589 S * 3/2011 Cook D7/619.1
D648,185 S * 11/2011 Sanders D7/624.2
D679,554 S * 4/2013 Molz D7/624.2
D682,043 S * 5/2013 Sanders D7/624.2
D686,041 S * 7/2013 Sanders D7/624.2
D716,653 S * 11/2014 Balembois D9/435

OTHER PUBLICATIONS

Imprint Items. Item #9330 Tuxedo Wine Bottle Drip Collar, Silver Plated (With Gold Bow. No date specified. <https://www.imprintitems.com/product/tuxedo-wine-bottle-drip-collar-silver-plated-with-gold-bow> (Year: 0).*

(Continued)

Primary Examiner — Darcey E Gottschalk
(74) *Attorney, Agent, or Firm* — Venjuris PC

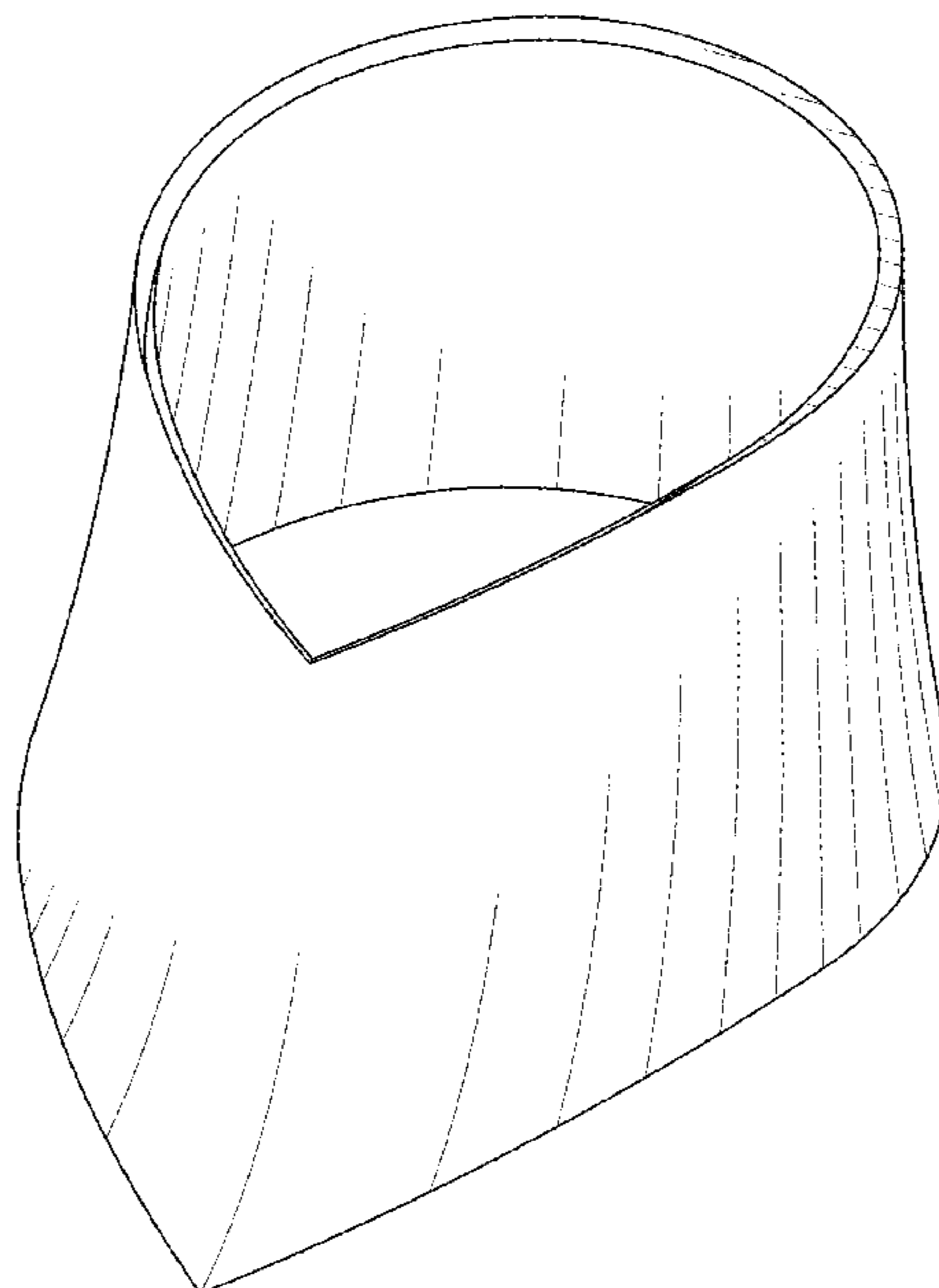
(57) **CLAIM**

I claim the ornamental design for an anti-drip device for necks of containers, as shown and described.

DESCRIPTION

FIG. 1 is a perspective view of an anti-drip device for necks of containers, showing my new design;
FIG. 2 is a front view thereof;
FIG. 3 is a back view thereof;
FIG. 4 is a side view thereof;
FIG. 5 is a side view thereof;
FIG. 6 is a top view thereof; and,
FIG. 7 is a bottom view thereof.

1 Claim, 7 Drawing Sheets



(56)

References Cited

OTHER PUBLICATIONS

Art Elements. Tutorial—Felted Wine Bottle Drip Collar. Jan. 4, 2017. <https://www.artelements.net/tutorial-felted-wine-bottle-drip-collar/> (Year: 2017).*

* cited by examiner

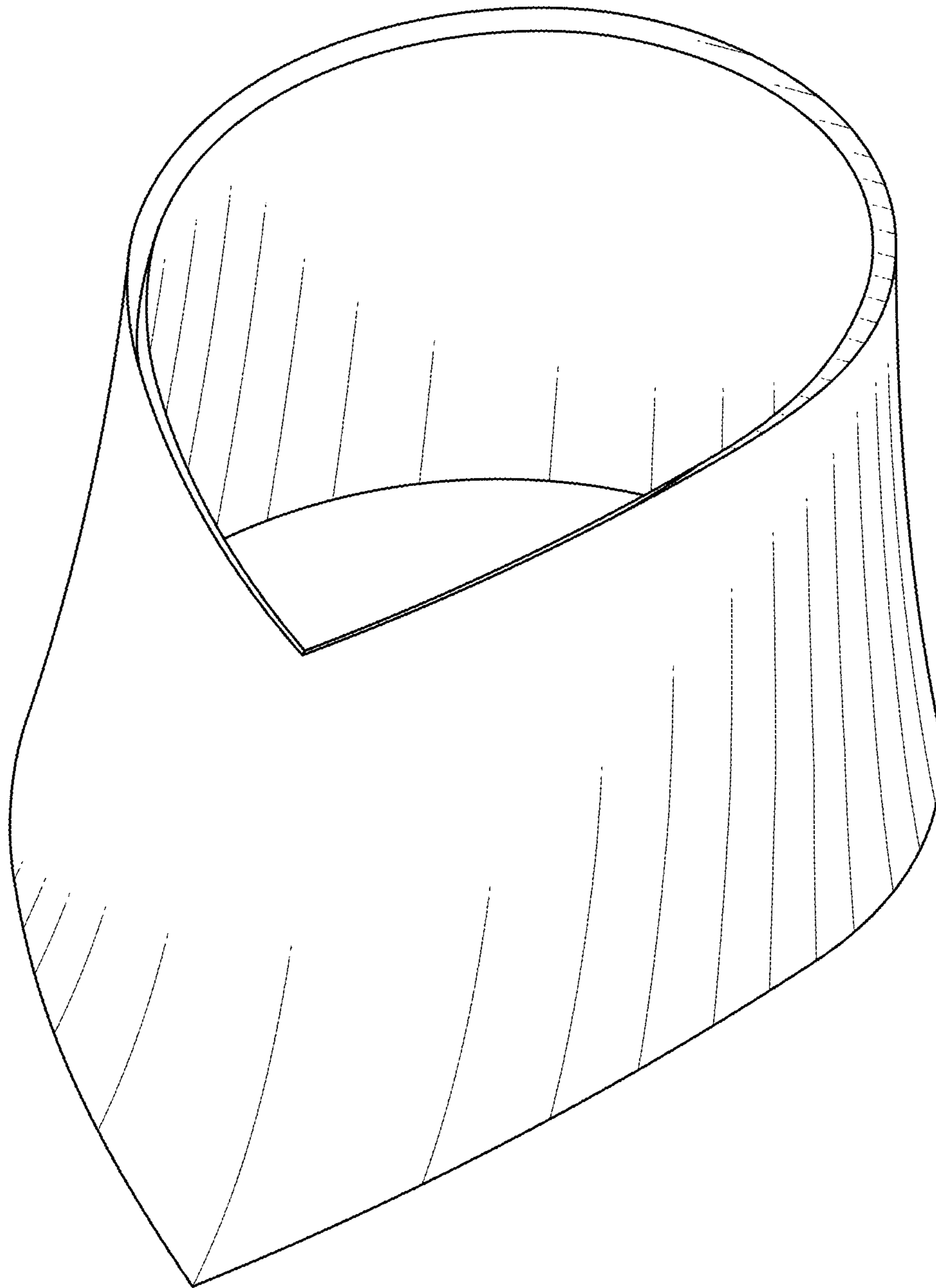


FIG. 1

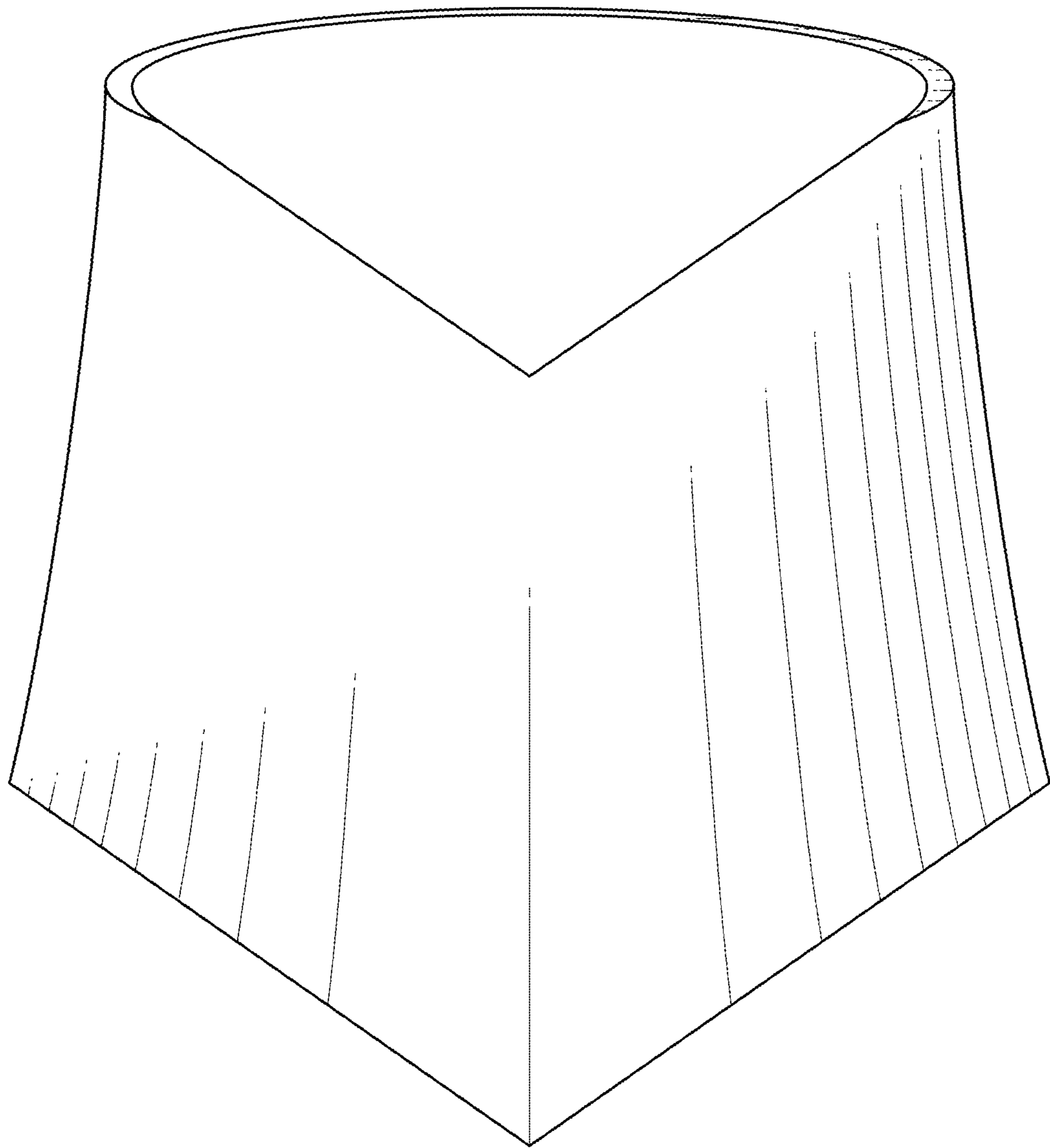


FIG. 2

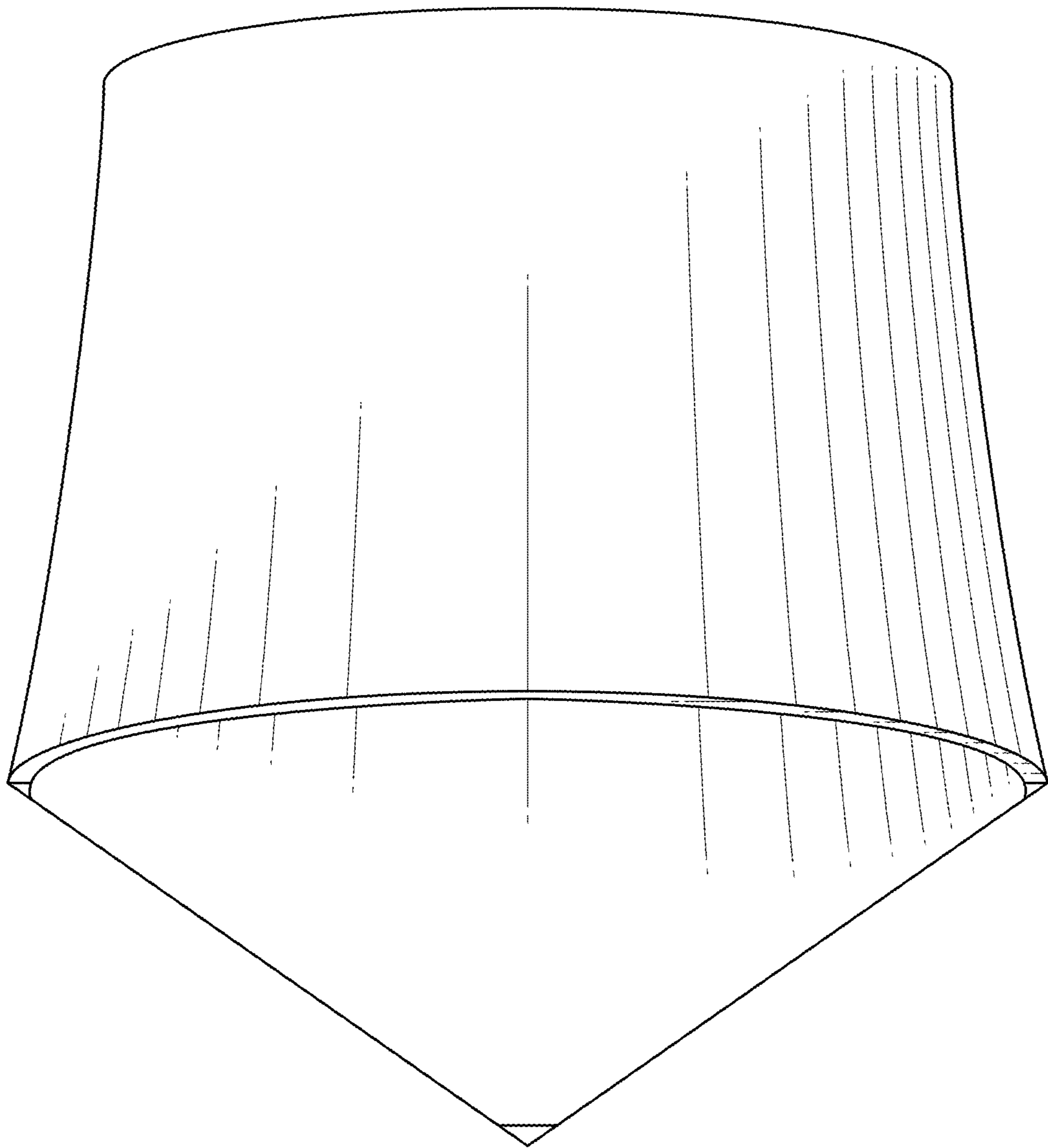


FIG. 3

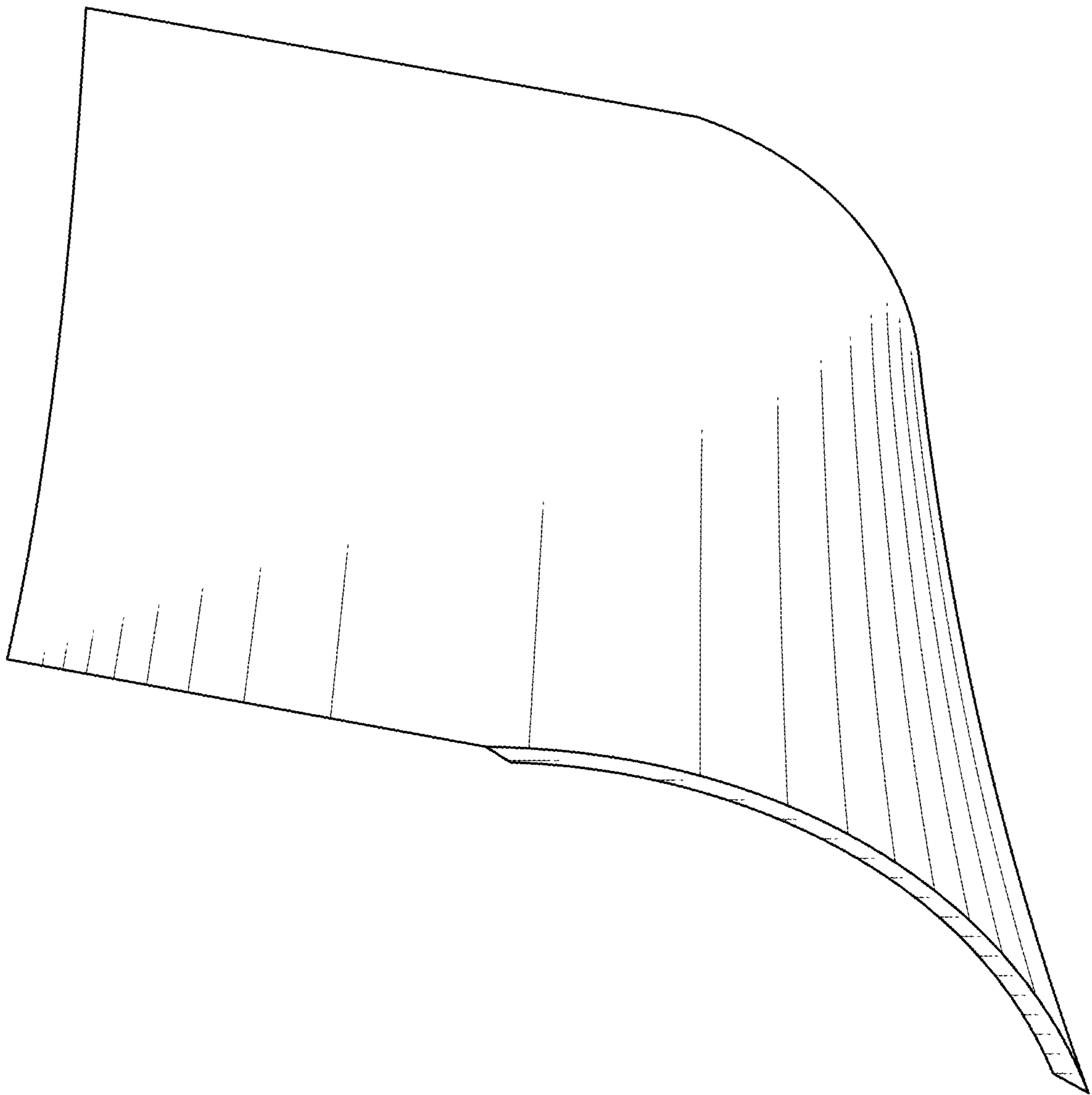


FIG. 4

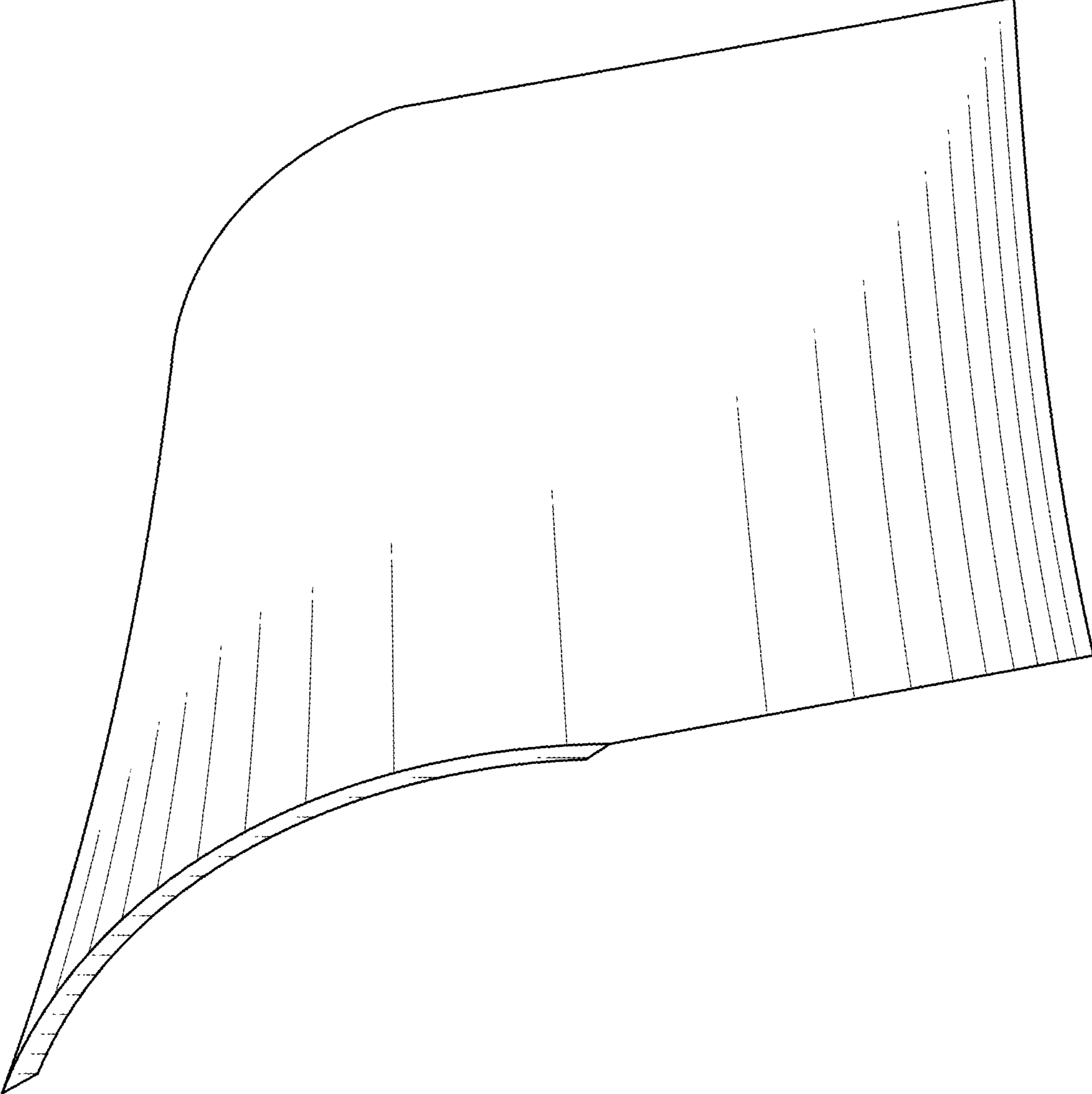


FIG. 5

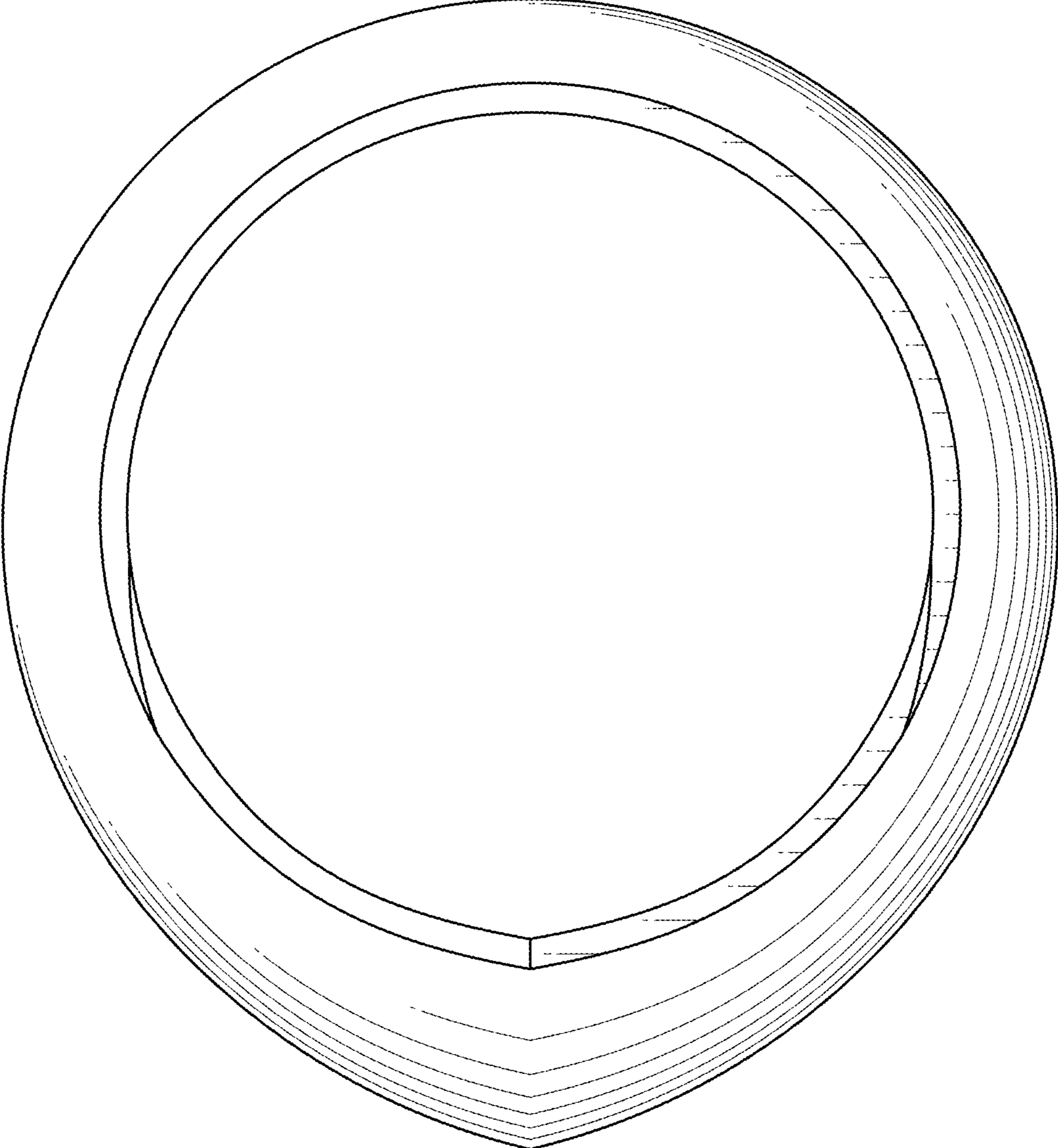


FIG. 6

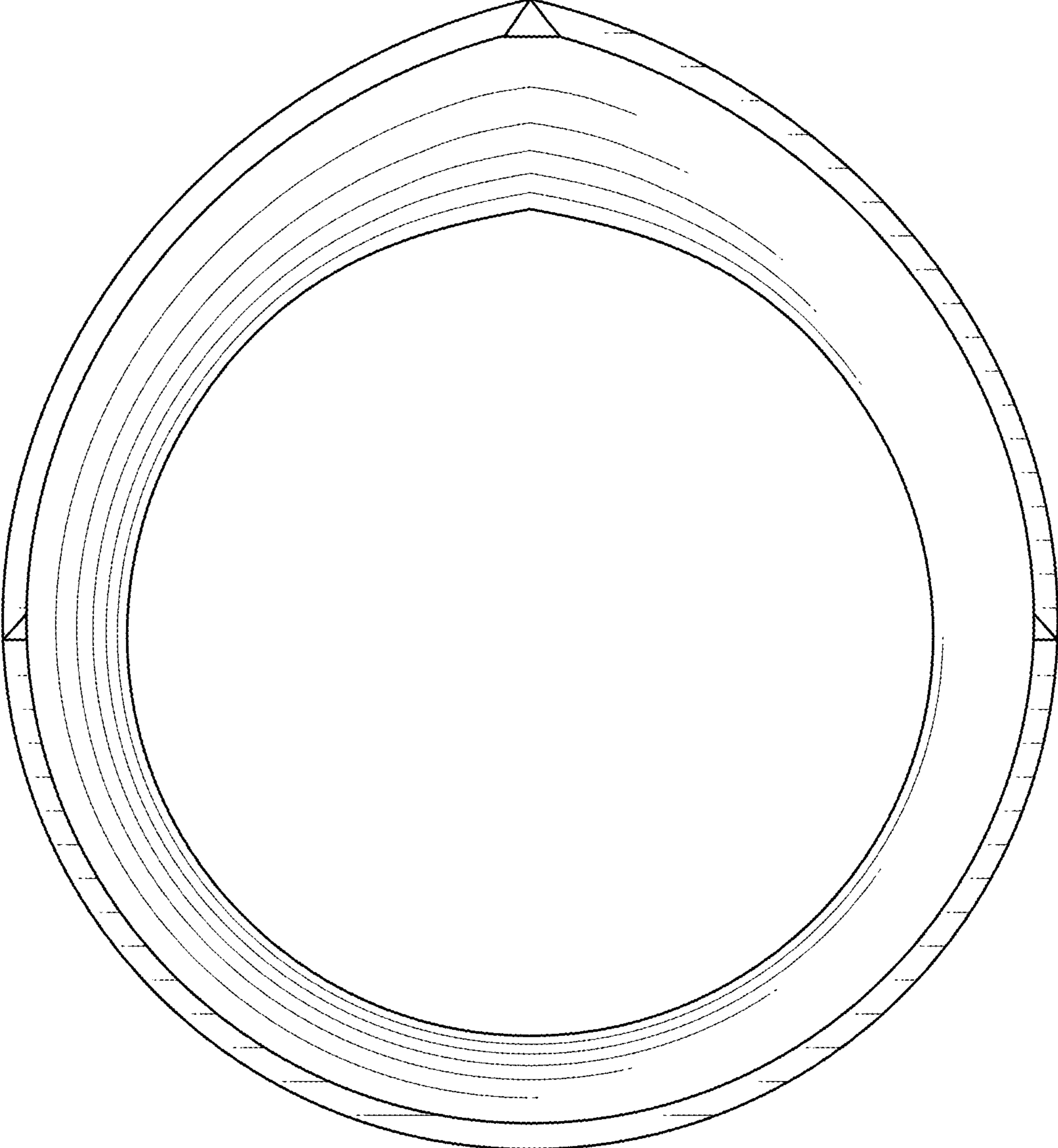


FIG. 7