



US00D957251S

(12) **United States Design Patent** (10) **Patent No.:** **US D957,251 S**  
**Robinson et al.** (45) **Date of Patent:** **\*\* Jul. 12, 2022**

(54) **PACKAGING WITH INSERT**  
(71) Applicant: **The Procter & Gamble Company**,  
Cincinnati, OH (US)  
(72) Inventors: **Ashley Chonta Robinson**, West  
Chester, OH (US); **Mary Ellen  
Finnegan**, Cincinnati, OH (US);  
**Graham Bernard Barrett**, York (GB)

D656,402 S \* 3/2012 Kopulos ..... D9/529  
D660,168 S \* 5/2012 Kopulos ..... D9/543  
D661,994 S \* 6/2012 Van Den Wouwer ..... D9/563  
D662,817 S \* 7/2012 Andres ..... D9/449  
D662,818 S \* 7/2012 Andres ..... D9/449  
D665,261 S \* 8/2012 Mazurkiewicz ..... D9/449  
8,276,756 B2 10/2012 Denome et al.  
D671,000 S \* 11/2012 O'Neill ..... B65D 75/5877  
D9/449

(Continued)

(73) Assignee: **The Procter & Gamble Company**,  
Cincinnati, OH (US)

FOREIGN PATENT DOCUMENTS

WO DM084733 10/2014

(\*\*) Term: **15 Years**

OTHER PUBLICATIONS

(21) Appl. No.: **29/684,571**

Tide Pods: Announced Jun. 30, 2017 [online]. Site visited [Apr. 29, 2021]. Available from Internet URL: <https://www.youtube.com/watch?v=VztSbMDh040>.\*

(22) Filed: **Mar. 22, 2019**

(Continued)

(51) **LOC (13) Cl.** ..... **09-07**

(52) **U.S. Cl.**  
USPC ..... **D9/436**

Primary Examiner — Catherine S Posthauer

(58) **Field of Classification Search**  
USPC ..... D7/300, 300.1, 316, 317, 598, 387, 391,  
D7/392, 392.1, 396.1, 397; D9/434, 435,  
D9/436, 443, 449, 456, 457, 529, 543,  
D9/558, 563, 415, 416, 433, 447  
CPC .... B65D 5/4237; B65D 25/205; B65D 47/08;  
B65D 73/0064; B65D 2501/24891; B65D  
2517/0053; B65C 3/08; B65C 3/18  
See application file for complete search history.

(57) **CLAIM**

The ornamental design for a packaging with insert, as shown and described.

**DESCRIPTION**

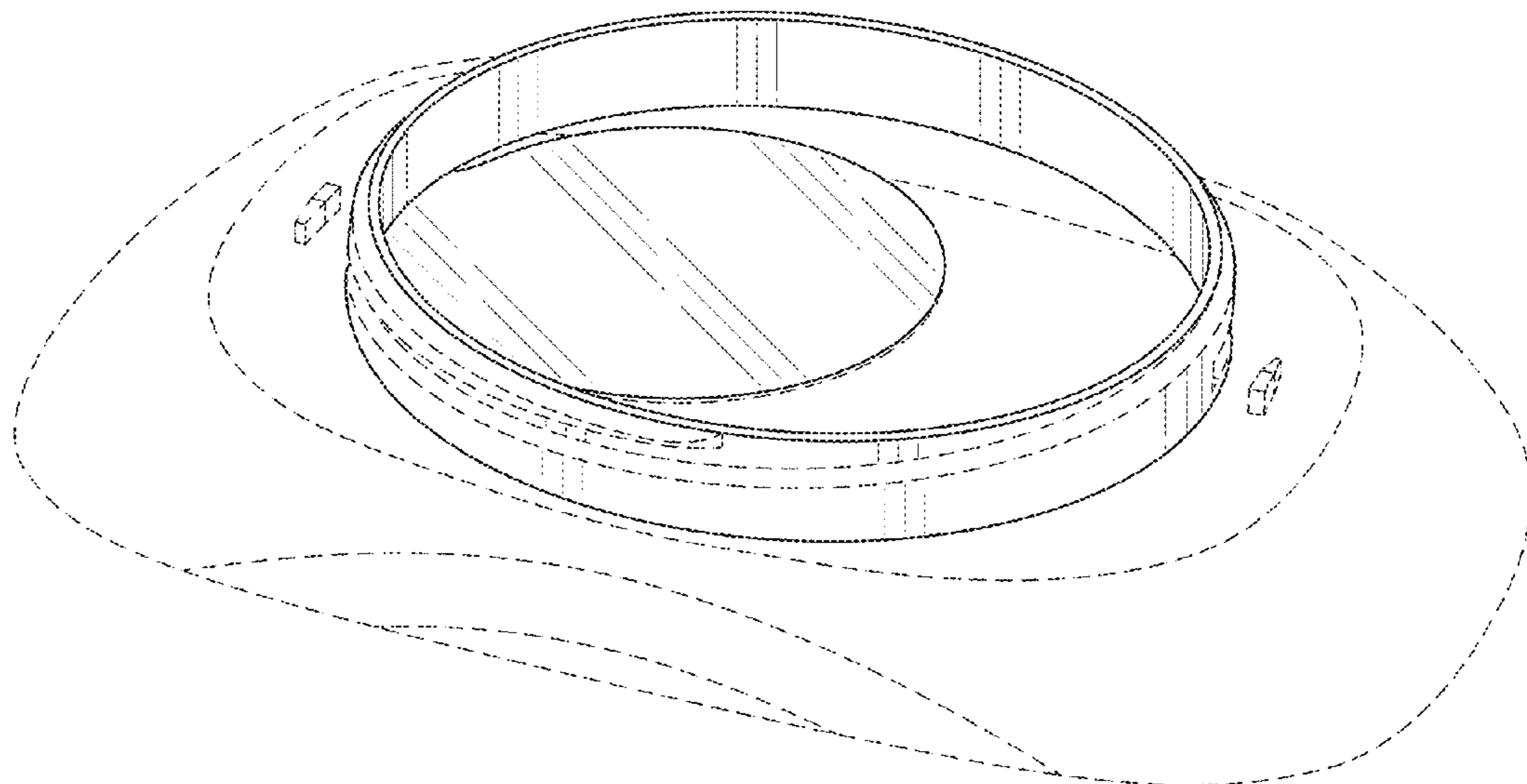
FIG. 1 is a top perspective view of a packaging with insert; FIG. 2 is a bottom perspective view thereof; FIG. 3 is a top view thereof; FIG. 4 is a bottom view thereof; FIG. 5 is a front view thereof; FIG. 6 is a side view thereof; FIG. 7 is a rear view thereof; and, FIG. 8 is a side view thereof, opposite the side view of FIG. 6. The broken lines are shown for the purpose of illustrating parts of the article that form no part of the claim.

(56) **References Cited**

U.S. PATENT DOCUMENTS

D446,452 S 8/2001 Buck et al.  
D449,528 S 10/2001 Buck et al.  
D466,810 S \* 12/2002 Ekkert ..... D9/434  
6,499,626 B1 12/2002 Julius  
6,655,544 B1 12/2003 Tanaka et al.  
7,597,213 B2 10/2009 McDonald  
D632,565 S \* 2/2011 Caldwell ..... D9/435  
D637,912 S \* 5/2011 Van Den Wouwer ..... D9/529  
D651,898 S \* 1/2012 Hess ..... D9/435

**1 Claim, 4 Drawing Sheets**



(56)

**References Cited**

U.S. PATENT DOCUMENTS

D673,049 S \* 12/2012 Kopulos ..... D9/529  
 D673,857 S \* 1/2013 Kopulos ..... D9/543  
 D694,062 S 11/2013 Andres  
 D694,063 S 11/2013 Andres  
 D694,575 S 12/2013 Andres  
 D704,059 S \* 5/2014 Glass ..... D9/457  
 D745,826 S 12/2015 De Tavares Duarte Nogueira  
 D763,075 S \* 8/2016 De Tavares Duarte Nogueira .....  
 D9/443  
 D812,474 S \* 3/2018 Rust ..... D9/449  
 D822,483 S \* 7/2018 Ahmed ..... D9/443  
 D823,688 S \* 7/2018 Diehl ..... D9/558  
 D827,442 S \* 9/2018 Stone ..... D9/529  
 D835,993 S \* 12/2018 Briggs ..... D9/543  
 D871,215 S \* 12/2019 Yu ..... D9/456  
 D896,088 S \* 9/2020 Cho ..... D9/543  
 D905,552 S \* 12/2020 Milbrandt ..... D9/443  
 D908,015 S \* 1/2021 Stadelmaier ..... D9/558  
 D912,513 S \* 3/2021 Moon ..... D9/449

2007/0278227 A1 12/2007 Damaghi et al.  
 2010/0122985 A1 5/2010 Peters et al.  
 2014/0238889 A1 8/2014 Sunder et al.  
 2016/0229599 A1 8/2016 Rogers et al.  
 2017/0297770 A1 10/2017 Snider et al.  
 2017/0298558 A1 10/2017 English, III et al.  
 2017/0349341 A1 12/2017 Girardot et al.  
 2017/0349342 A1 12/2017 Girardot et al.  
 2020/0031542 A1\* 1/2020 Morrissey ..... B65D 51/007

OTHER PUBLICATIONS

U.S. Appl. No. 15/933,702, filed Mar. 23, 2018, Nikola Curcic.  
 U.S. Appl. No. 29/684,617, filed Mar. 22, 2019, Massimiliano Carlomagno.  
 All Office Actions; U.S. Appl. No. 29/684,617.  
[https://www.amazon.com/Munchkin-Piece-Snack-Catcher-Green/dp/B01GKZNWTO/ref=sr\\_1\\_3\\_a\\_it?ie=UTF8&qid=1518207464&sr=8-3&keywords=kids+snack+cups+no+spill&dpID=41OaLVNURfL&preST=\\_SY300\\_QL70\\_&dp](https://www.amazon.com/Munchkin-Piece-Snack-Catcher-Green/dp/B01GKZNWTO/ref=sr_1_3_a_it?ie=UTF8&qid=1518207464&sr=8-3&keywords=kids+snack+cups+no+spill&dpID=41OaLVNURfL&preST=_SY300_QL70_&dp) (accessed Feb. 9, 2018).

\* cited by examiner

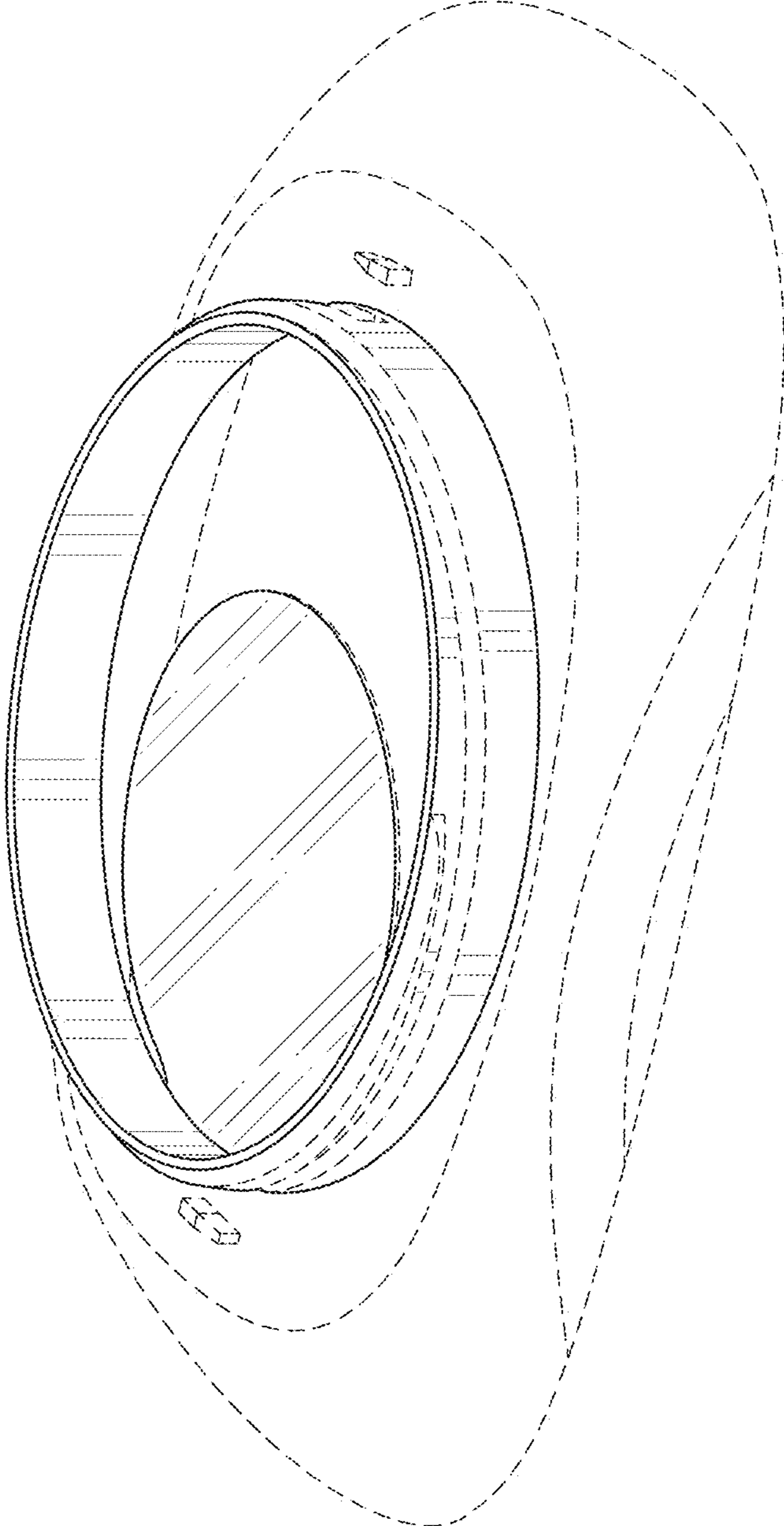


FIG. 1

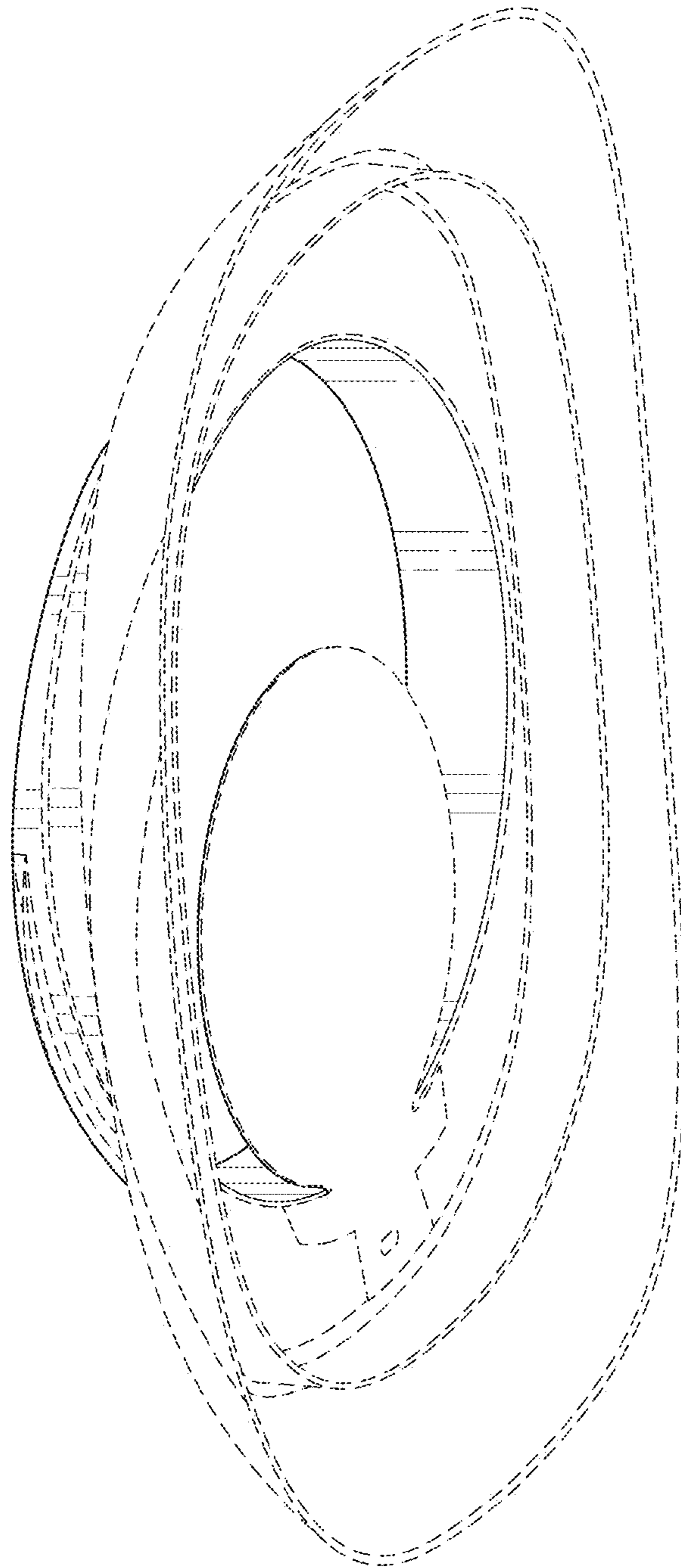


FIG. 2

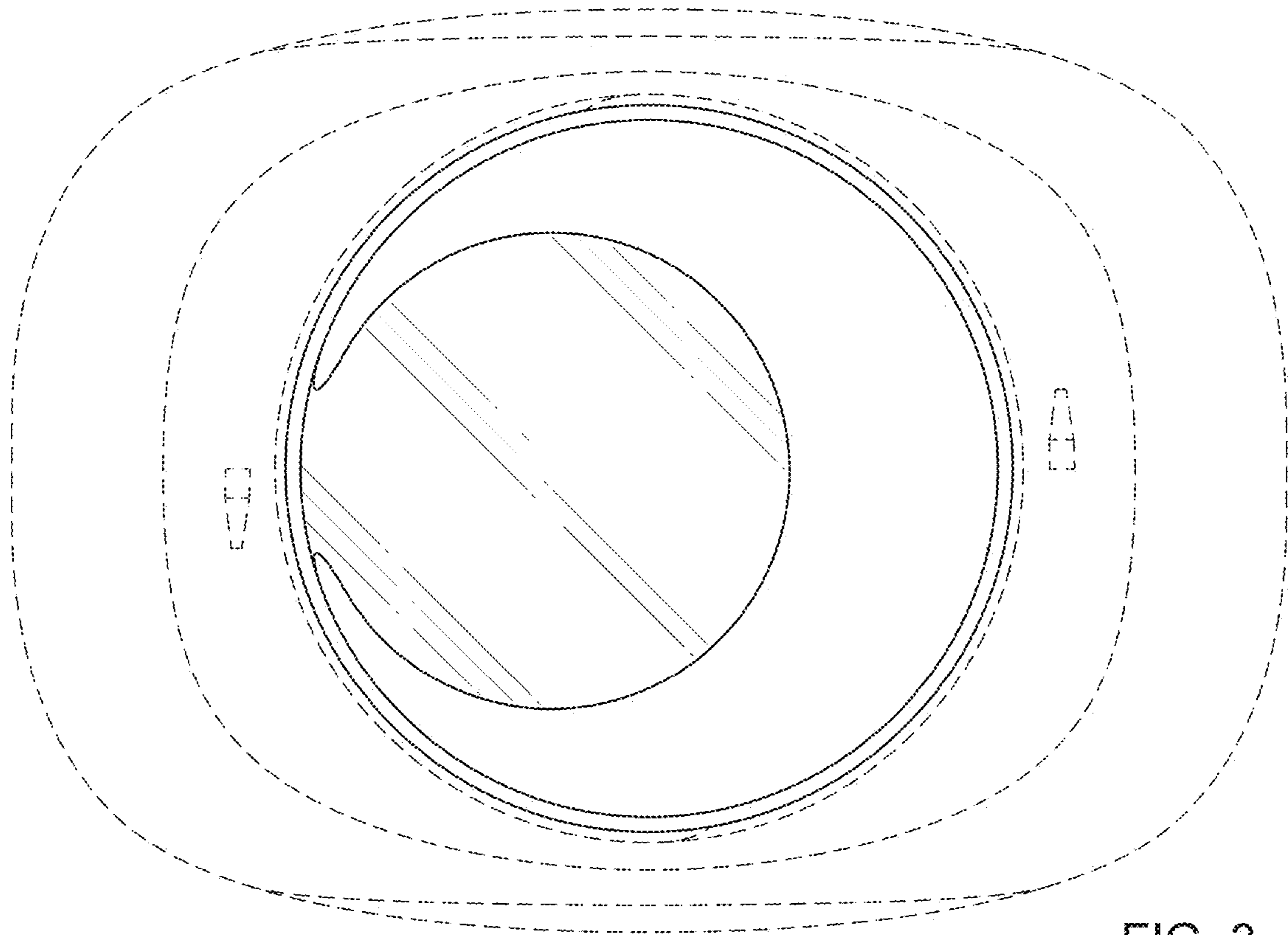


FIG. 3

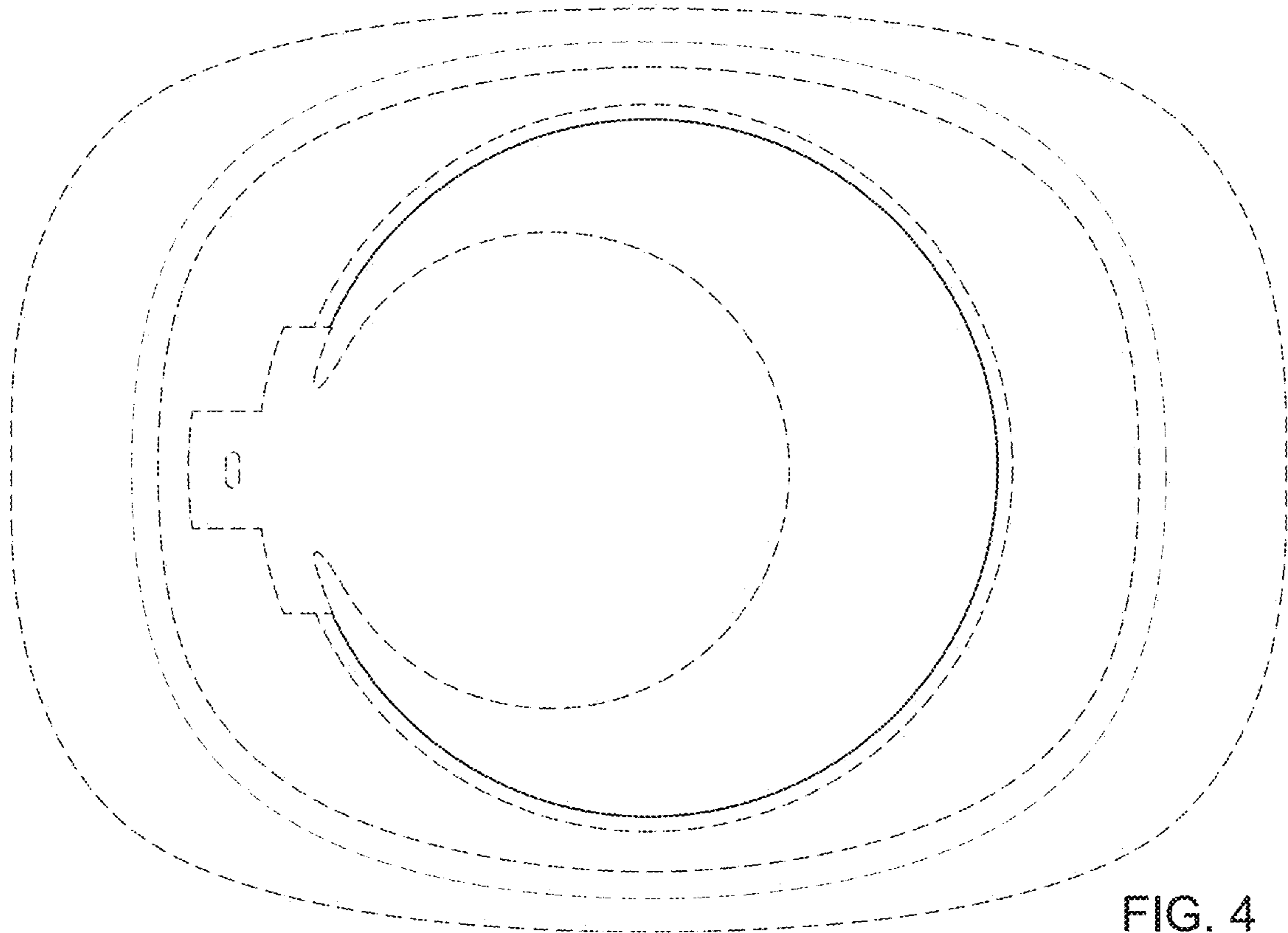


FIG. 4

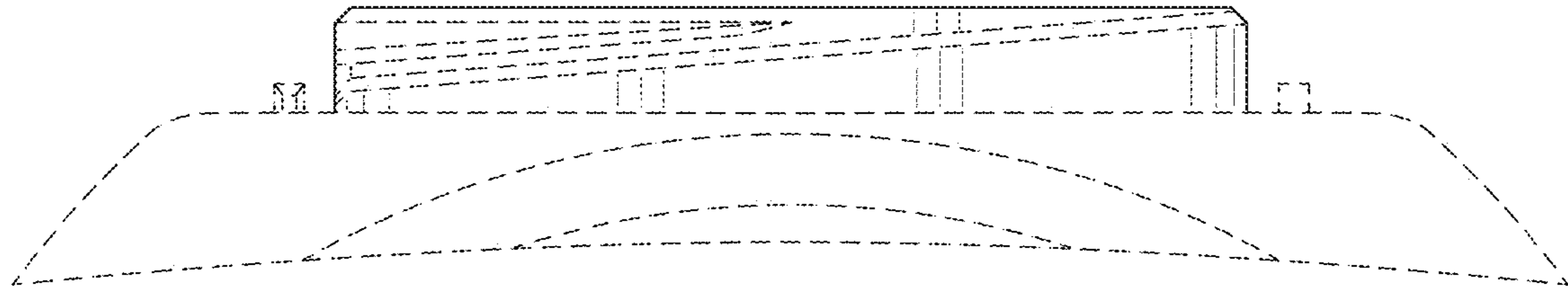


FIG. 5

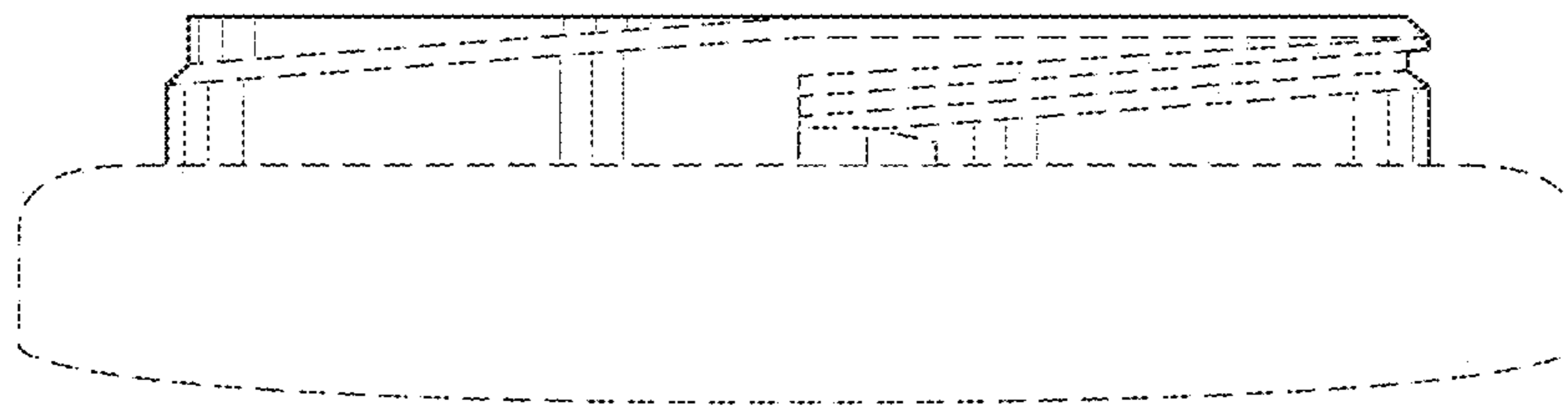


FIG. 6

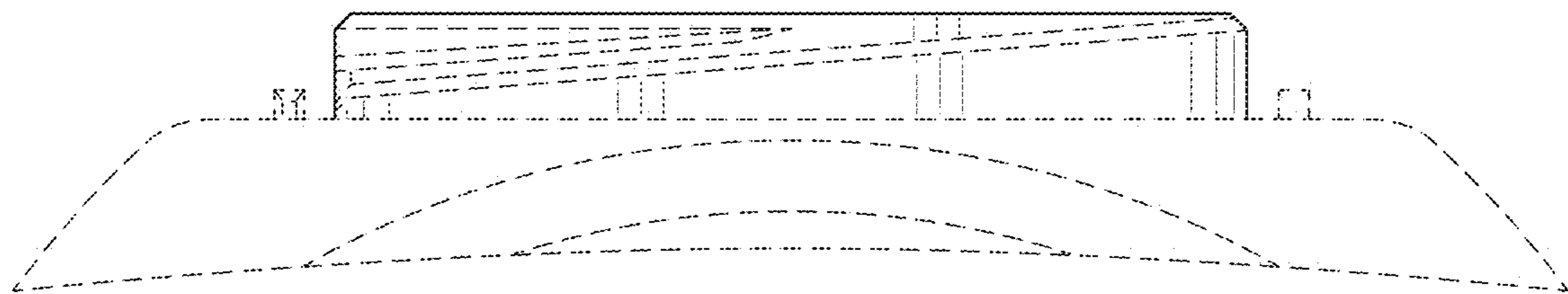


FIG. 7

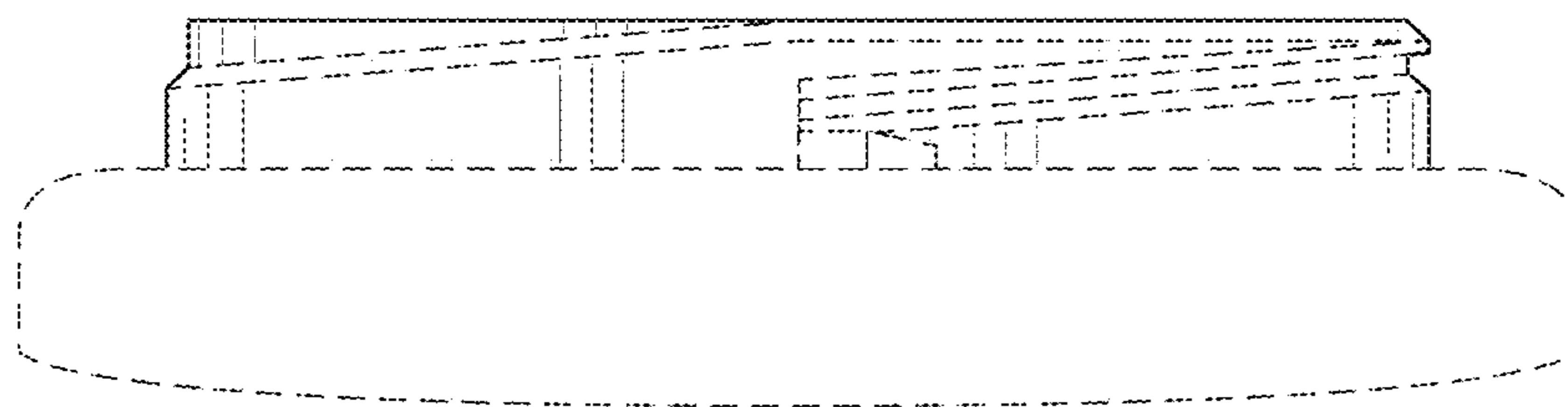


FIG. 8