



US00D957249S

(12) **United States Design Patent** (10) **Patent No.:** **US D957,249 S**
Glassman et al. (45) **Date of Patent:** **** *Jul. 12, 2022**

(54) **CAPSULE**
(71) Applicant: **Comcast Cable Communications, LLC**, Philadelphia, PA (US)
(72) Inventors: **Ellen Tave Glassman**, Closter, NJ (US); **Min Chul Song**, Belleville, NJ (US); **Richard William Pfeiffer**, Brooklyn, NY (US); **Michael Boylan**, Philadelphia, PA (US)
(73) Assignee: **Comcast Cable Communications, LLC**, Philadelphia, PA (US)
(*) Notice: This patent is subject to a terminal disclaimer.
(**) Term: **15 Years**
(21) Appl. No.: **29/731,957**
(22) Filed: **Apr. 20, 2020**
(51) **LOC (13) Cl.** **09-03**
(52) **U.S. Cl.**
USPC **D9/432**
(58) **Field of Classification Search**
USPC D9/414-416, 418, 419, 430-433, 438, D9/500, 501, 503-505, 702, 703, 705, D9/707, 711, 567, 568, 560, 715, 721, D9/737, 740-745, 420-423, 434, 435, D9/456, 499; D3/201, 229, 272-274, D3/300; D7/603, 605, 612, 703, 708; D23/366
CPC B65D 83/205; B65D 83/384; B65D 83/75
See application file for complete search history.

D245,580 S * 8/1977 Larsson D9/432
D269,361 S * 6/1983 Marschak D3/302
D274,396 S * 6/1984 Kikuchi D7/605
D276,400 S * 11/1984 Daenen D7/614
D276,401 S * 11/1984 Daenen D7/602
D276,594 S * 12/1984 Fahey D9/420
D310,784 S * 9/1990 Forbes, Jr. D9/416
D336,244 S * 6/1993 Arai D9/414
D354,435 S * 1/1995 Krupa D9/423
D385,787 S * 11/1997 Takano D9/423
D385,790 S * 11/1997 Setty D9/438
(Continued)

(56) **References Cited**
U.S. PATENT DOCUMENTS
724,607 A * 4/1903 Paget C08L 23/06
206/524.9
3,184,098 A * 5/1965 Sabaka B65D 47/26
220/270

OTHER PUBLICATIONS

Xfinity Eco Capsule. Posted on Vimeo Feb. 2021. Visited Sep. 28, 2021. <https://vimeo.com/513011871> (Year: 2021).*
(Continued)

Primary Examiner — Darcey E Gottschalk
Assistant Examiner — Vanessa M. Pursley
(74) *Attorney, Agent, or Firm* — Banner & Witcoff, Ltd.

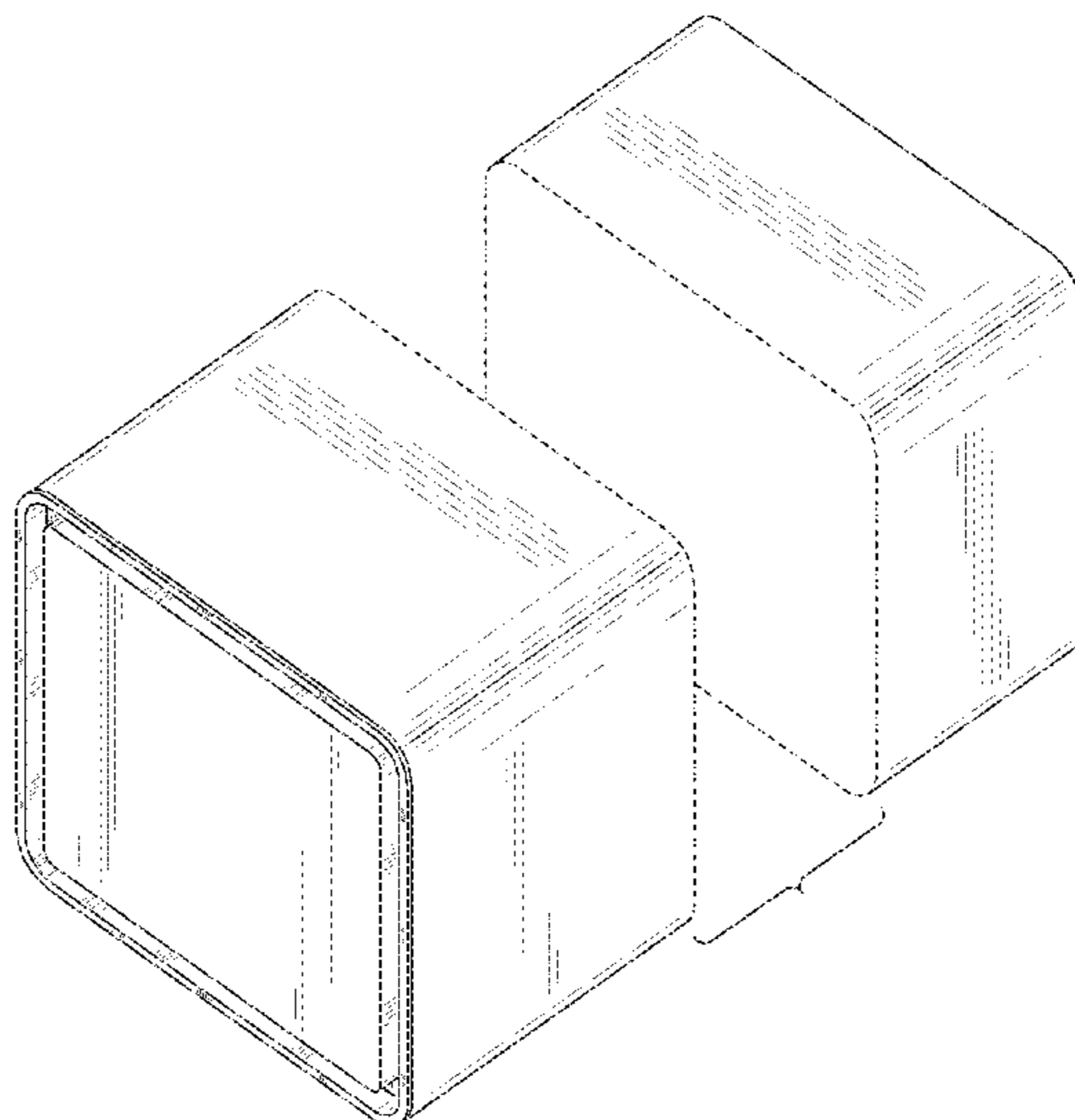
(57) **CLAIM**

The ornamental design for a capsule, as shown and described.

DESCRIPTION

FIG. 1 is a front perspective view of a capsule showing our new design;
FIG. 2 is a front view thereof;
FIG. 3 is a rear view thereof;
FIG. 4 is a left side view thereof;
FIG. 5 is a right side view thereof;
FIG. 6 is a top view thereof; and,
FIG. 7 is a bottom view thereof.
In the drawings, the broken lines show portions of a capsule that form no part of the claim. The capsule is shown with a symbolic break in its length. The appearance of any portion of the article between the break lines forms no part of the claimed design.

1 Claim, 5 Drawing Sheets



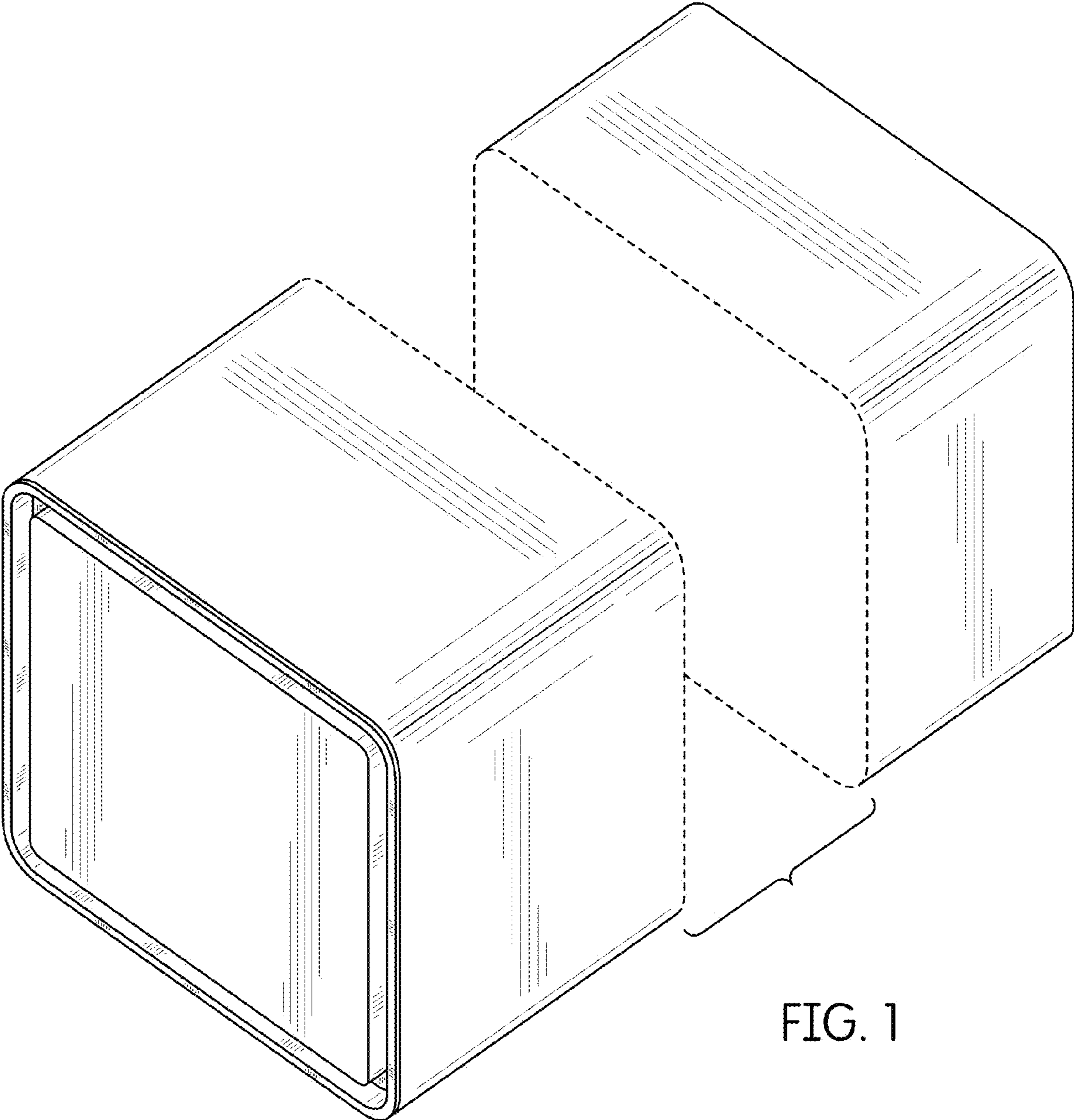


FIG. 1

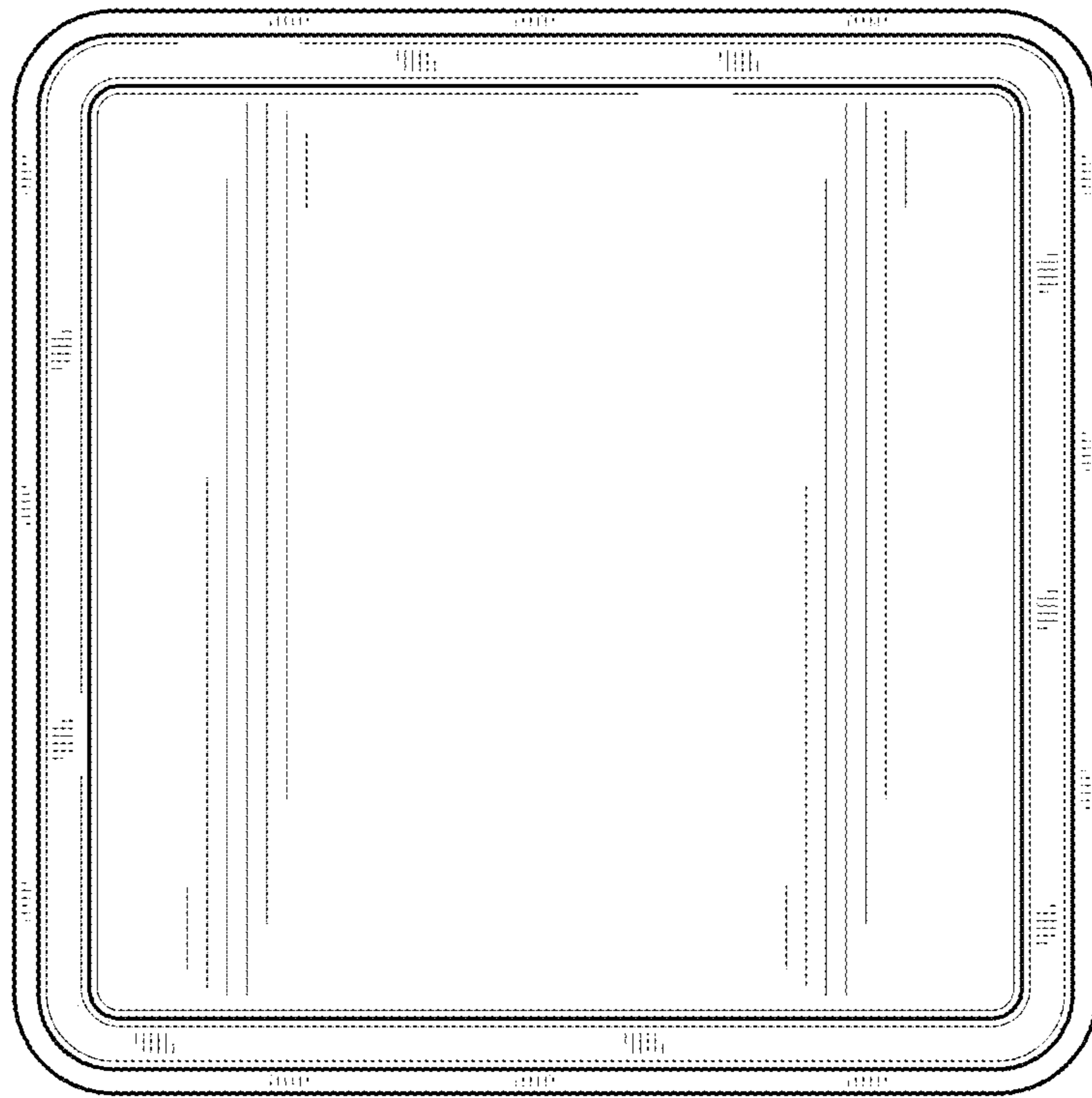


FIG. 2

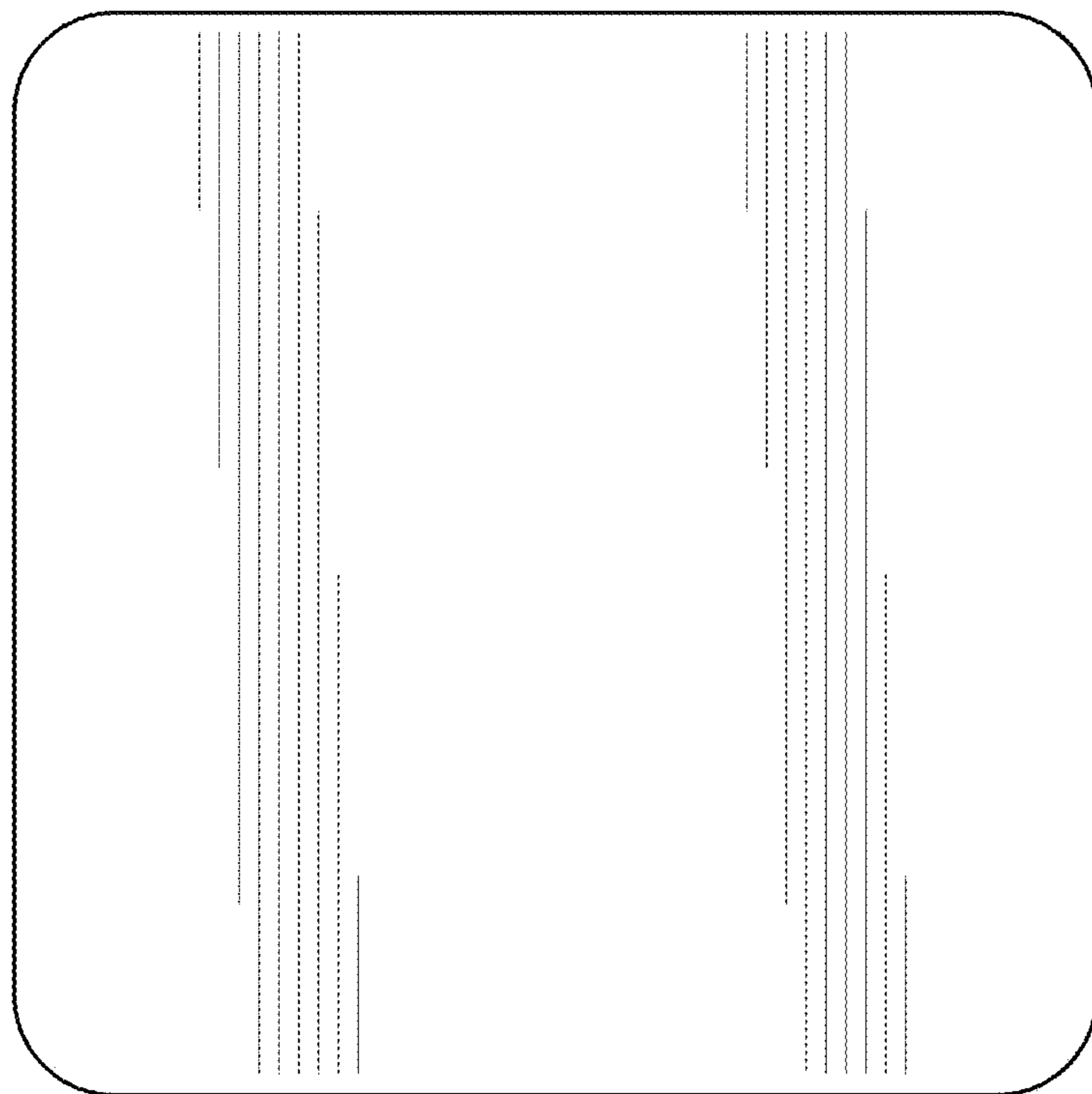


FIG. 3

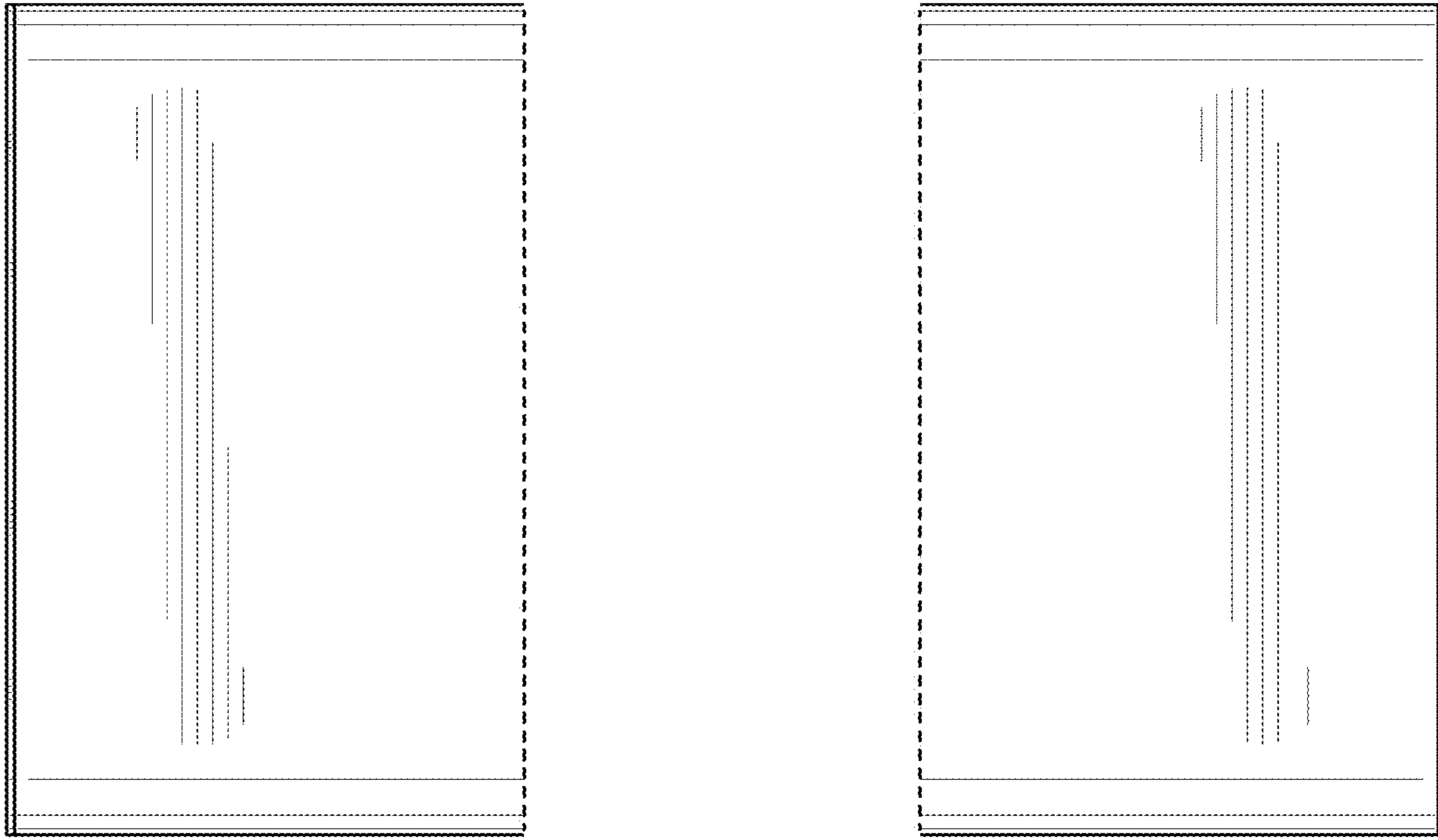


FIG. 4

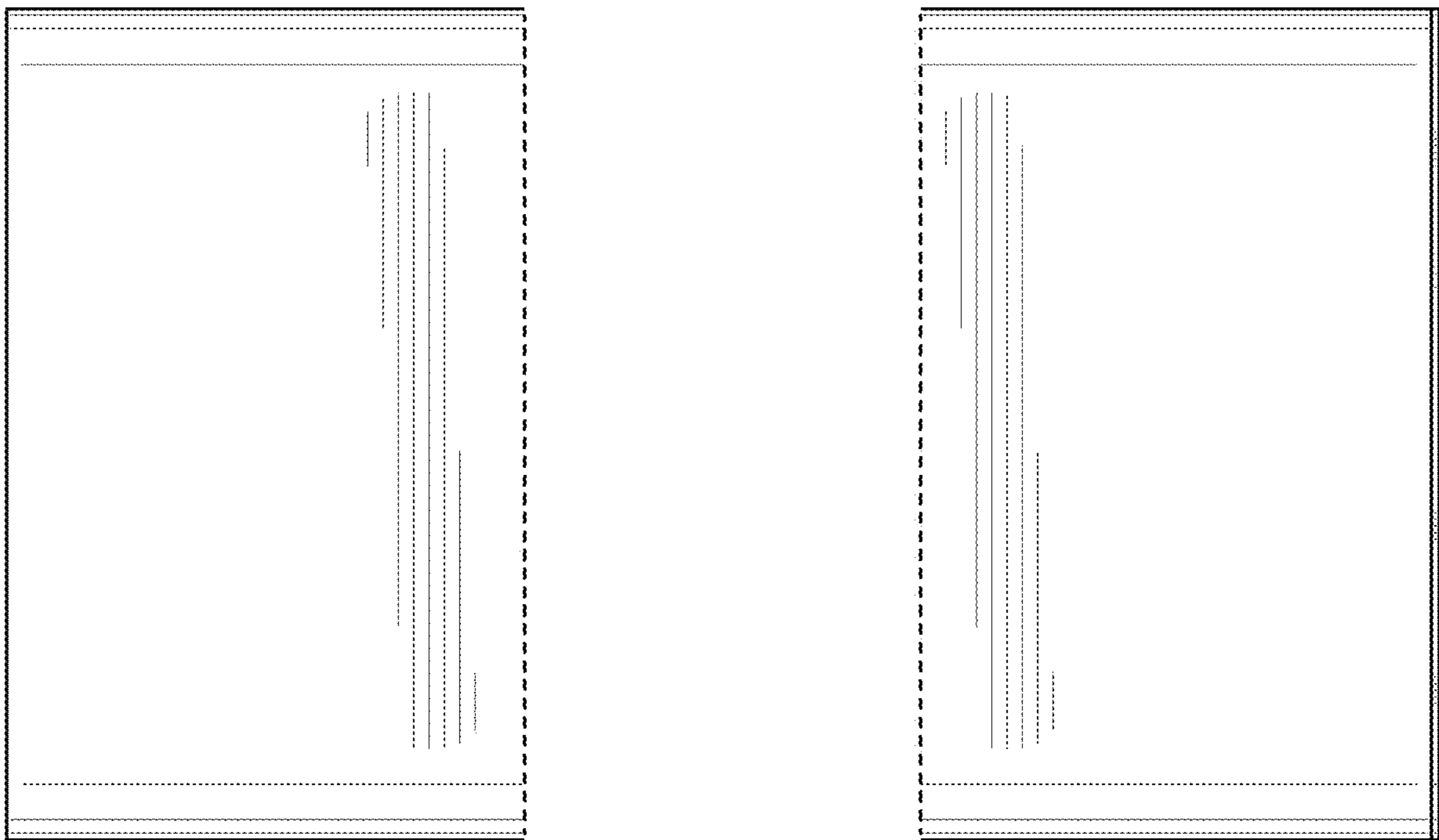


FIG. 5

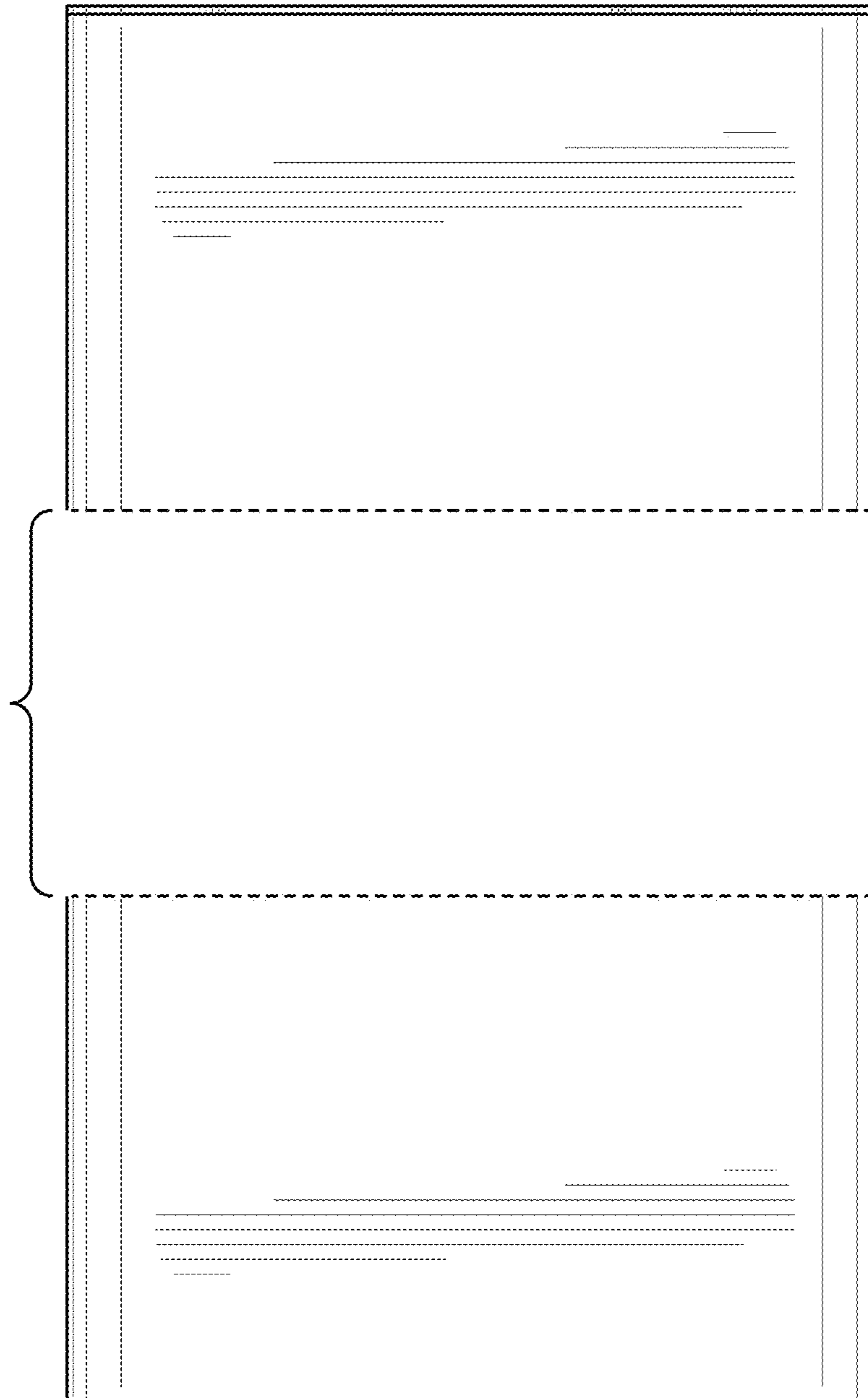


FIG. 6

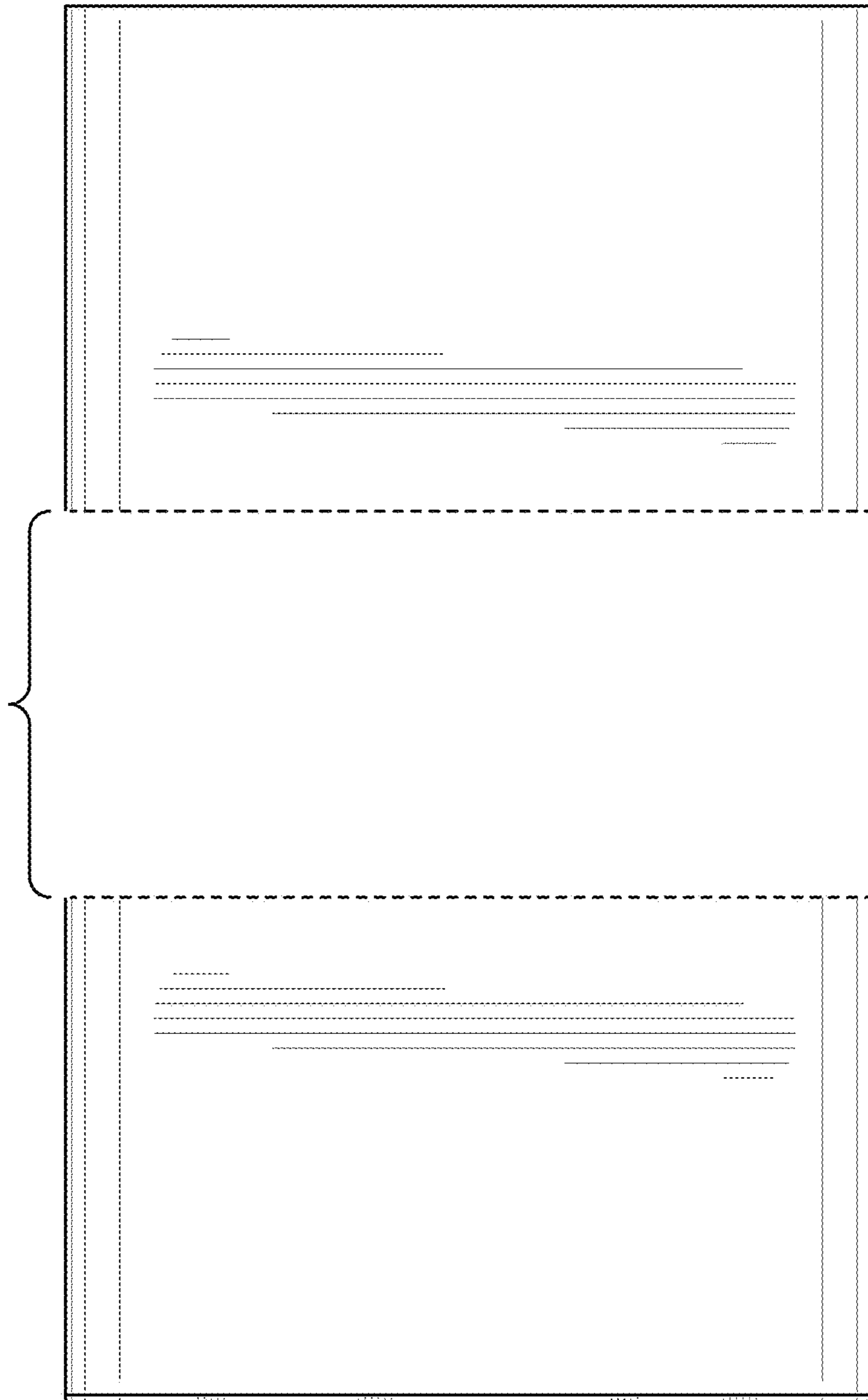


FIG. 7