



US00D957248S

(12) **United States Design Patent** (10) **Patent No.:** **US D957,248 S**
Glassman et al. (45) **Date of Patent:** **** *Jul. 12, 2022**

(54) **CAPSULE**
(71) Applicant: **Comcast Cable Communications, LLC**, Philadelphia, PA (US)
(72) Inventors: **Ellen Tave Glassman**, Closter, NJ (US); **Min Chul Song**, Belleville, NJ (US); **Richard William Pfeiffer**, Brooklyn, NY (US); **Michael Boylan**, Philadelphia, PA (US)

D245,580 S * 8/1977 Larsson D9/432
D269,361 S * 6/1983 Marschak D3/302
D274,396 S * 6/1984 Kikuchi D7/605
D276,400 S * 11/1984 Daenen D7/614
D276,401 S * 11/1984 Daenen D7/602
D276,594 S * 12/1984 Fahey D9/420
D310,784 S * 9/1990 Forbes, Jr. D9/416
D336,244 S * 6/1993 Arai D9/414
D354,435 S * 1/1995 Krupa D9/423
D385,787 S * 11/1997 Takano D9/423
D385,790 S * 11/1997 Setty D9/438

(Continued)

(73) Assignee: **Comcast Cable Communications, LLC**, Philadelphia, PA (US)

OTHER PUBLICATIONS

(*) Notice: This patent is subject to a terminal disclaimer.

Xfinity Eco Capsule. Posted on Vimeo Feb. 2021. Visited Sep. 28, 2021. <https://vimeo.com/513011871> (Year: 2021).*

(Continued)

(**) Term: **15 Years**

Primary Examiner — Darcey E Gottschalk
Assistant Examiner — Vanessa M. Pursley

(21) Appl. No.: **29/731,956**

(74) *Attorney, Agent, or Firm* — Banner & Witcoff, Ltd.

(22) Filed: **Apr. 20, 2020**

(51) **LOC (13) Cl.** **09-03**

(57) **CLAIM**

(52) **U.S. Cl.**
USPC **D9/432**

The ornamental design for a capsule, as shown and described.

(58) **Field of Classification Search**
USPC D9/414–416, 418, 419, 430–433, 438, D9/500, 501, 503–505, 702, 703, 705, D9/707, 711, 567, 568, 560, 715, 721, D9/737, 740–745, 420–423, 434, 435, D9/456, 499; D3/201, 229, 272–274, D3/300; D7/603, 605, 612, 703, 708; D23/366

DESCRIPTION

CPC B65D 83/205; B65D 83/384; B65D 83/75
See application file for complete search history.

FIG. 1 is a front perspective view of a capsule showing our new design;
FIG. 2 is a front view thereof;
FIG. 3 is a rear view thereof;
FIG. 4 is a left side view thereof;
FIG. 5 is a right side view thereof;
FIG. 6 is a top view thereof; and,
FIG. 7 is a bottom view thereof.

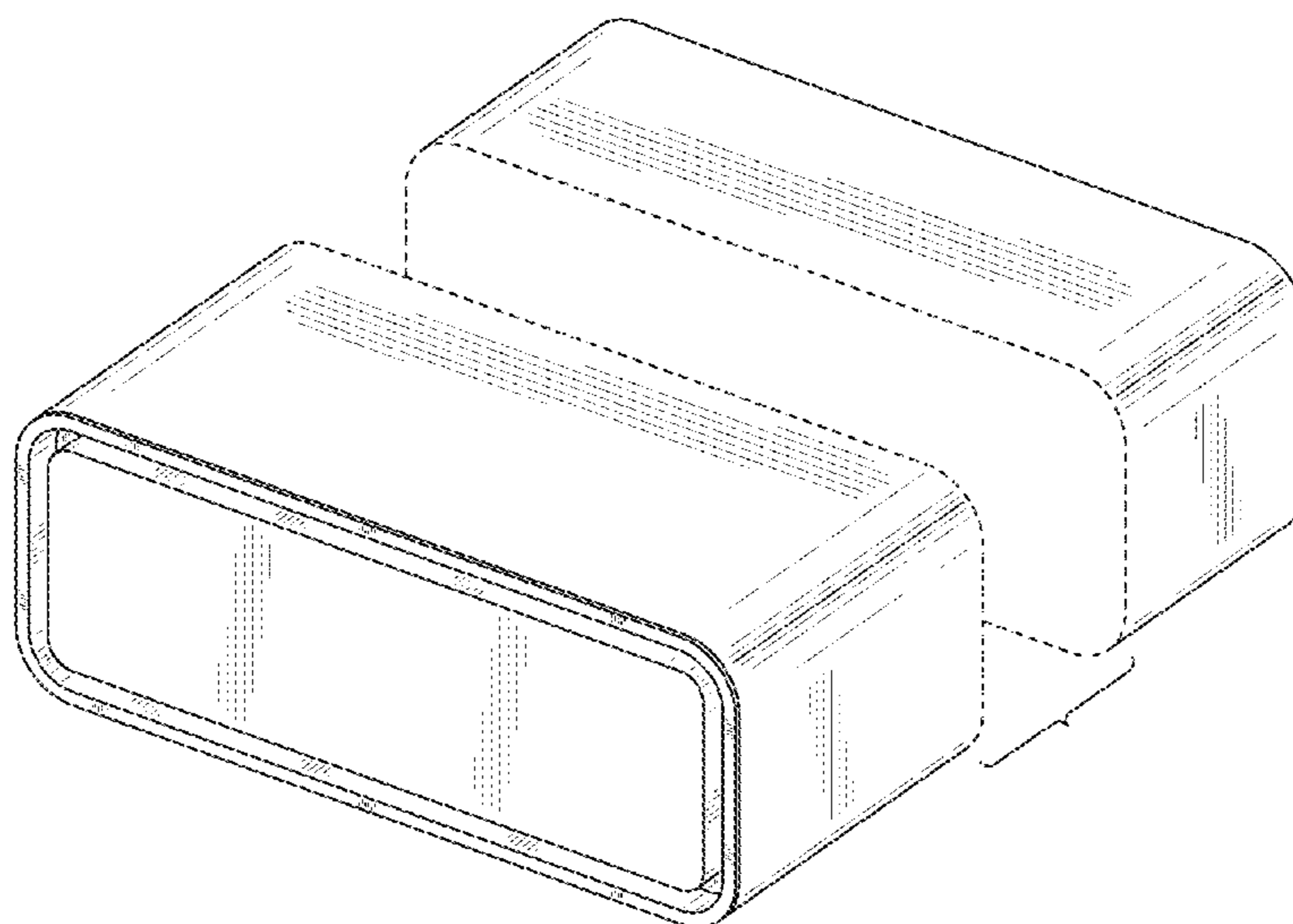
(56) **References Cited**

U.S. PATENT DOCUMENTS

724,607 A * 4/1903 Paget C08L 23/06
206/524.9
3,184,098 A * 5/1965 Sabaka B65D 47/26
220/270

In the drawings, the broken lines show portions of a capsule that form no part of the claim. The capsule is shown with a symbolic break in its length. The appearance of any portion of the article between the break lines forms no part of the claimed design.

1 Claim, 5 Drawing Sheets



(56)

References Cited

U.S. PATENT DOCUMENTS

| | | | |
|----------------|---------|---------------------|------------|
| D416,797 S * | 11/1999 | Rabe | D9/431 |
| 6,053,353 A * | 4/2000 | Helms | B65D 5/64 |
| | | | 206/508 |
| D433,631 S * | 11/2000 | Walsh | D9/500 |
| D439,838 S * | 4/2001 | Sagel | D9/416 |
| 6,523,713 B1 * | 2/2003 | Helms | B65D 51/20 |
| | | | 220/831 |
| D511,655 S * | 11/2005 | Kim | D7/612 |
| D517,408 S * | 3/2006 | Gonzalez | D9/438 |
| D520,871 S * | 5/2006 | Geisselbrecht | D9/435 |
| D521,379 S * | 5/2006 | Geisselbrecht | D9/435 |
| D521,380 S * | 5/2006 | Jackson | D9/425 |
| D544,789 S * | 6/2007 | Kaufman | D7/612 |
| D546,175 S * | 7/2007 | Sainz | D9/420 |
| D569,720 S * | 5/2008 | Lablaine | D9/420 |
| D571,197 S * | 6/2008 | Sanfilippo | D9/420 |
| D592,966 S * | 5/2009 | Nissen | D9/560 |
| D608,193 S * | 1/2010 | Sanfilippo | D9/420 |
| D636,257 S * | 4/2011 | Bougoulas | D9/420 |
| D643,726 S * | 8/2011 | Sander | D9/522 |
| D655,159 S * | 3/2012 | Killandi | D9/438 |

| | | | |
|-------------------|---------|------------------|--------------|
| 8,308,021 B2 * | 11/2012 | Turvey | B65D 43/0218 |
| | | | 220/793 |
| D696,075 S * | 12/2013 | Mashike | D7/605 |
| D704,549 S * | 5/2014 | Liu | D9/418 |
| D728,314 S * | 5/2015 | Carstensen | D7/510 |
| D748,468 S * | 2/2016 | Angeloni | D9/420 |
| D788,585 S * | 6/2017 | Roberts | D9/456 |
| D853,838 S * | 7/2019 | Liu | D9/432 |
| D869,955 S * | 12/2019 | Kilduff | D9/560 |
| D909,884 S * | 2/2021 | Ranno | D9/703 |
| D923,488 S * | 6/2021 | Loritz | D9/711 |
| D928,621 S * | 8/2021 | Kilduff | D9/560 |
| D929,043 S * | 8/2021 | Matsushita | D28/85 |
| D932,298 S * | 10/2021 | Kleiner | D9/438 |
| 2006/0201946 A1 * | 9/2006 | Witt | B29C 66/242 |
| | | | 220/276 |

OTHER PUBLICATIONS

Pop Box—Air-tight, stink-proof, and 5 times stronger. Posted on Youtube Nov. 13, 2016. Visited Oct. 14, 2021. <https://www.youtube.com/watch?v=fEdS25O3ylw> (Year: 2016).*

* cited by examiner

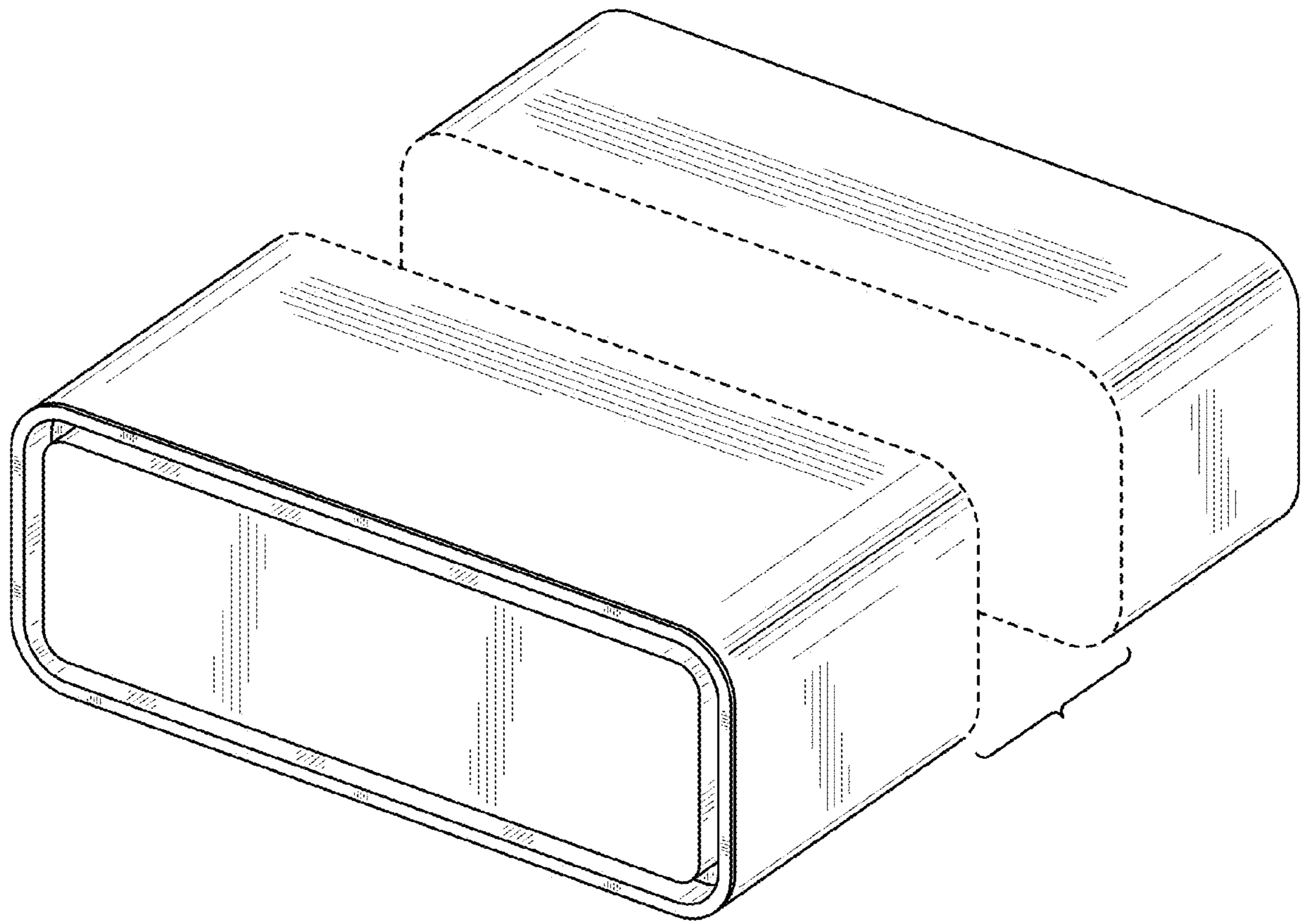


FIG. 1

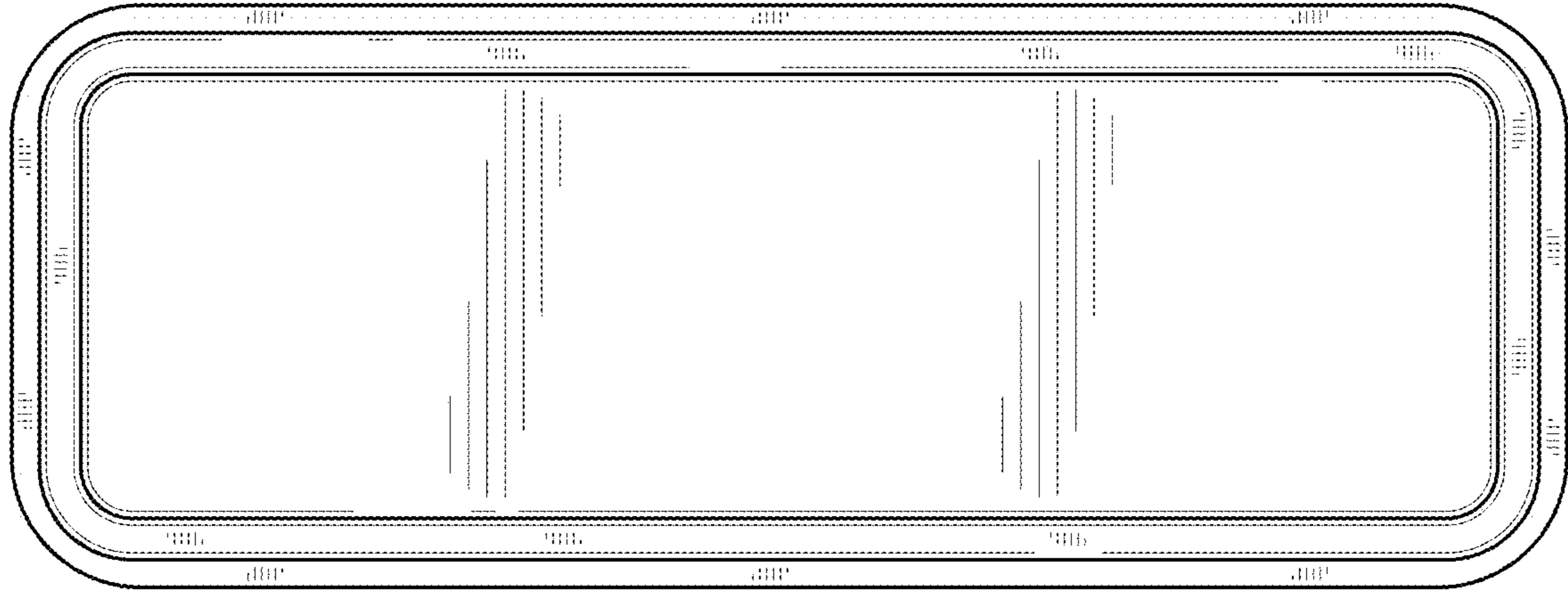


FIG. 2

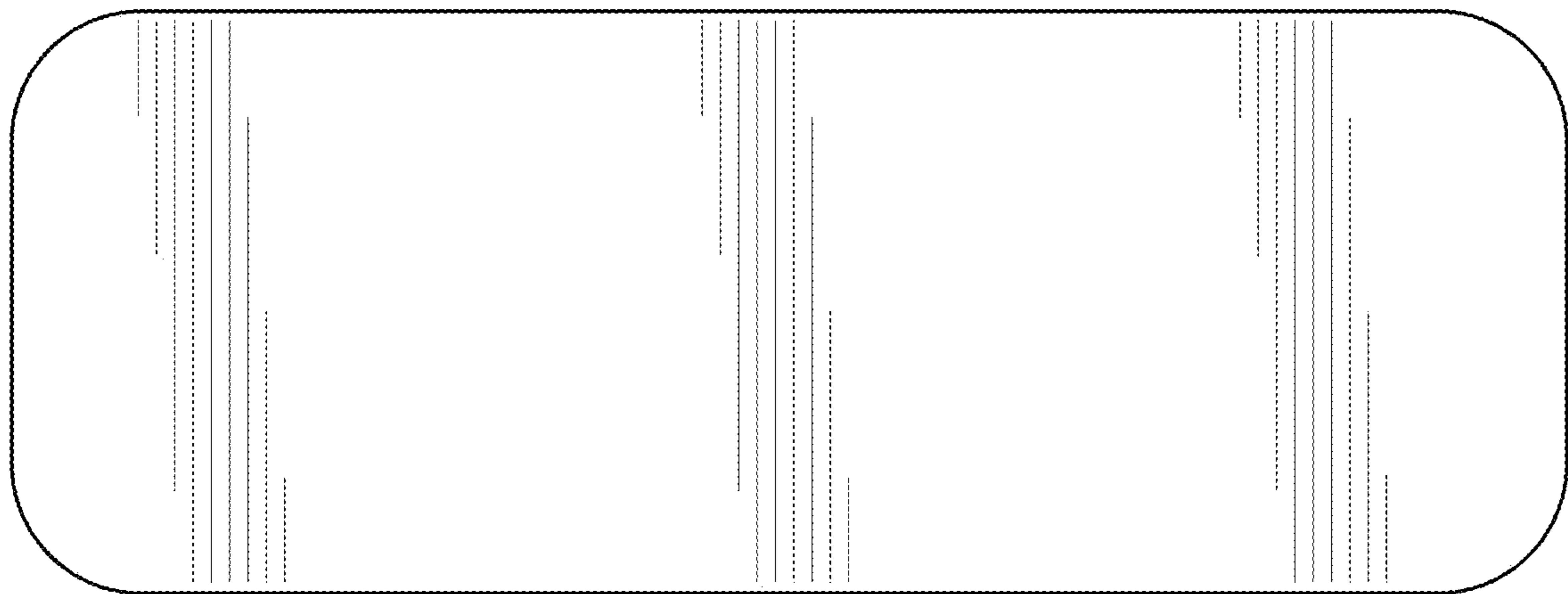


FIG. 3

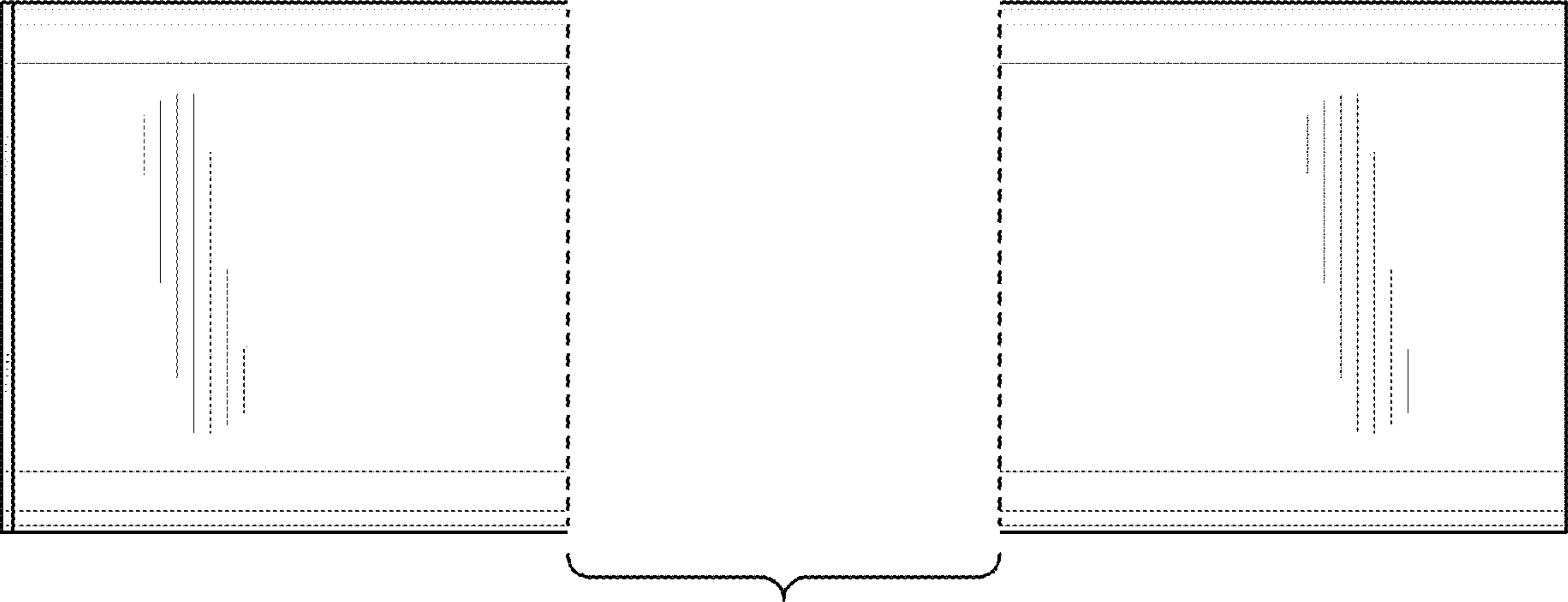


FIG. 4

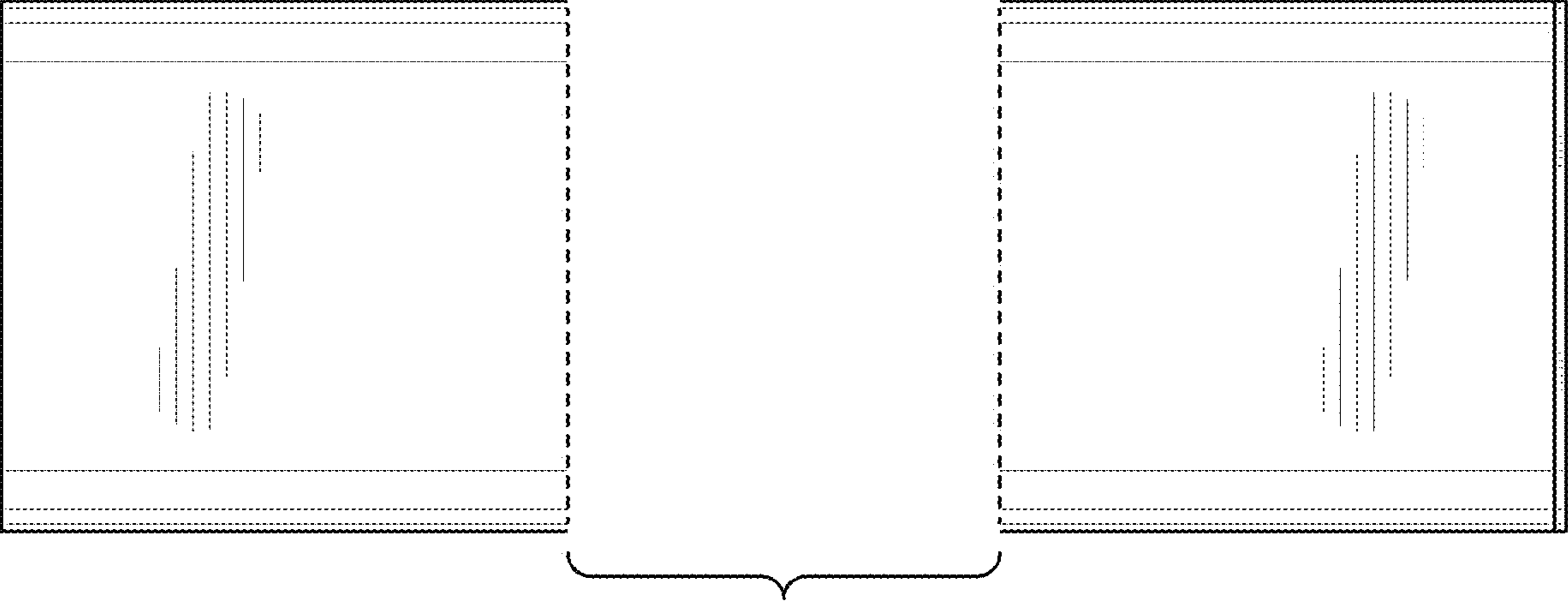


FIG. 5

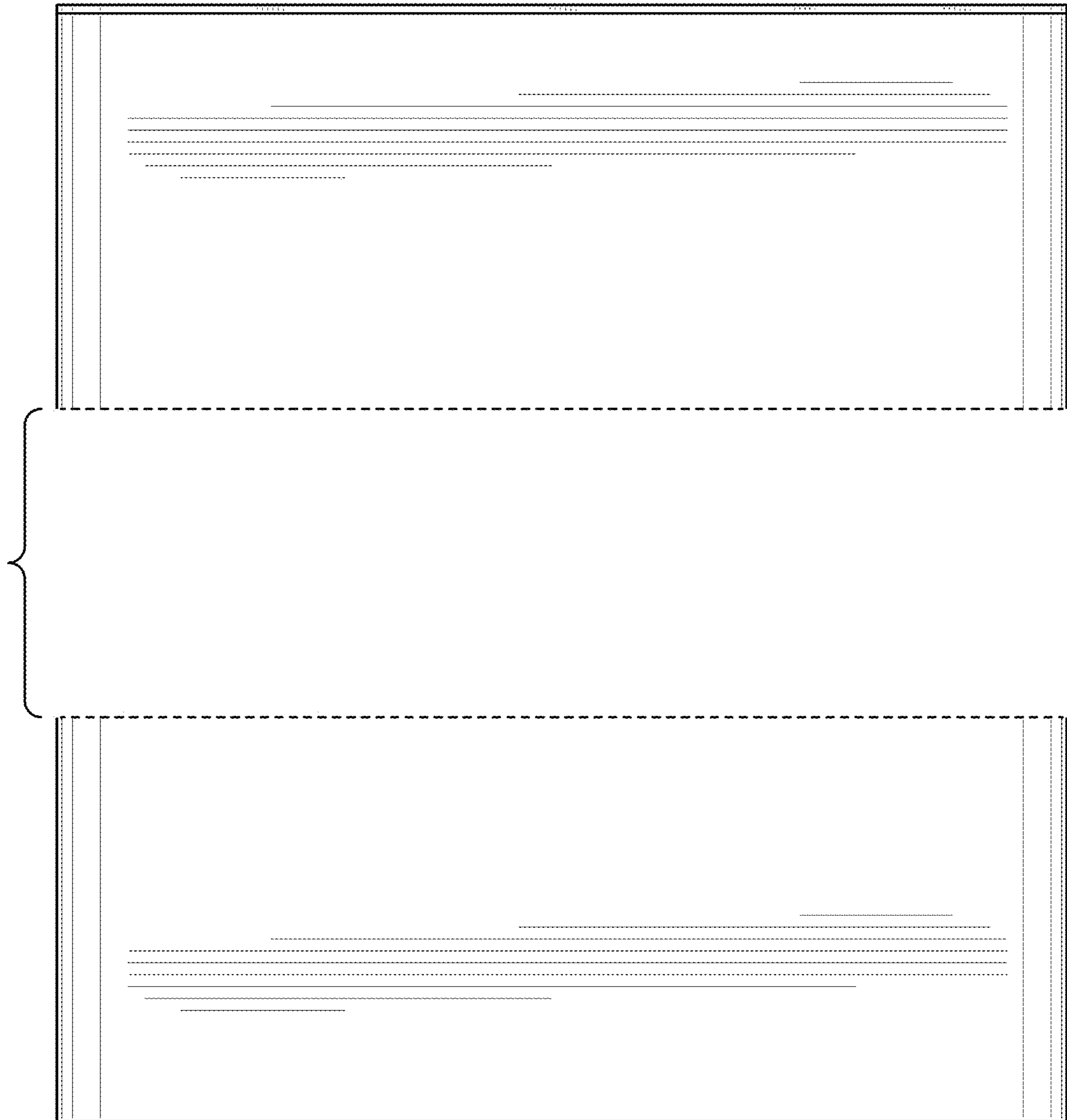


FIG. 6

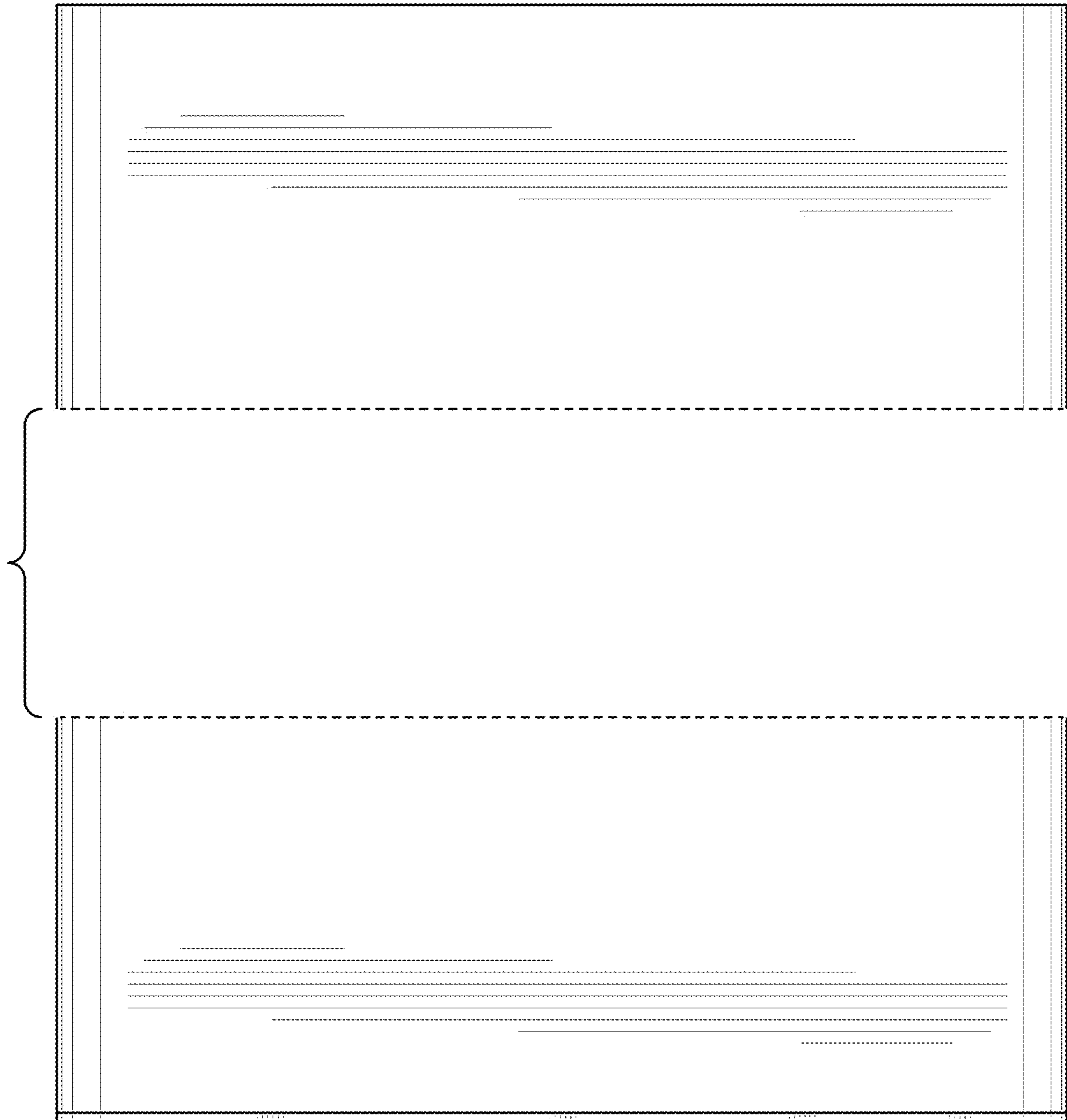


FIG. 7