



US00D957244S

(12) **United States Design Patent** (10) **Patent No.:** **US D957,244 S**
Smith et al. (45) **Date of Patent:** **** Jul. 12, 2022**

(54) CONTAINER AND PORTIONS THEREOF	2,434,860 A	1/1948	Oxley
	D149,460 S	4/1948	Tunstall
(71) Applicants: William Thomas Smith , Fair Oaks, CA (US); Cheryl Ann Smith , Fair Oaks, CA (US)	D158,699 S	5/1950	Wasilevich
	3,086,658 A	4/1963	Palmer
	D205,123 S	6/1966	Giesecke
	3,393,819 A *	7/1968	Van De Walle ... A47G 19/2255 215/372
(72) Inventors: William Thomas Smith , Fair Oaks, CA (US); Cheryl Ann Smith , Fair Oaks, CA (US)	3,482,731 A *	12/1969	Douty B65D 7/04 220/630
	3,847,305 A	11/1974	Tobin
	3,853,263 A	12/1974	Otsuka
(73) Assignee: All Plastic, Inc. , Rancho Cordova, CA (US)	D251,426 S	3/1979	Molyneux
	D284,777 S	7/1986	Anthony
	D319,150 S	8/1991	Biddlecom

(Continued)

(**) Term: **15 Years**

(21) Appl. No.: **29/684,096**

(22) Filed: **Mar. 19, 2019**

(30) **Foreign Application Priority Data**

Sep. 21, 2018 (CA) CA 183718

(51) **LOC (13) Cl.** **09-03**

(52) **U.S. Cl.**
USPC **D9/414**

(58) **Field of Classification Search**
USPC D9/414-416, 418, 428, 516, 517, 528
CPC A47F 1/00; B65D 5/52
See application file for complete search history.

(56) **References Cited**

U.S. PATENT DOCUMENTS

1,597,548 A	8/1926	Sharp
1,628,108 A	5/1927	Brown
1,628,330 A	5/1927	Peck et al.
1,646,702 A	10/1927	Moyer
1,743,520 A	1/1930	Baron
1,883,806 A	10/1932	Martin
D141,059 S	7/1944	Siegel
D141,727 S	6/1945	Toussaint
2,409,814 A	10/1946	Vargish

Primary Examiner — Holly E Thurman
(74) Attorney, Agent, or Firm — Ballard Spahr LLP

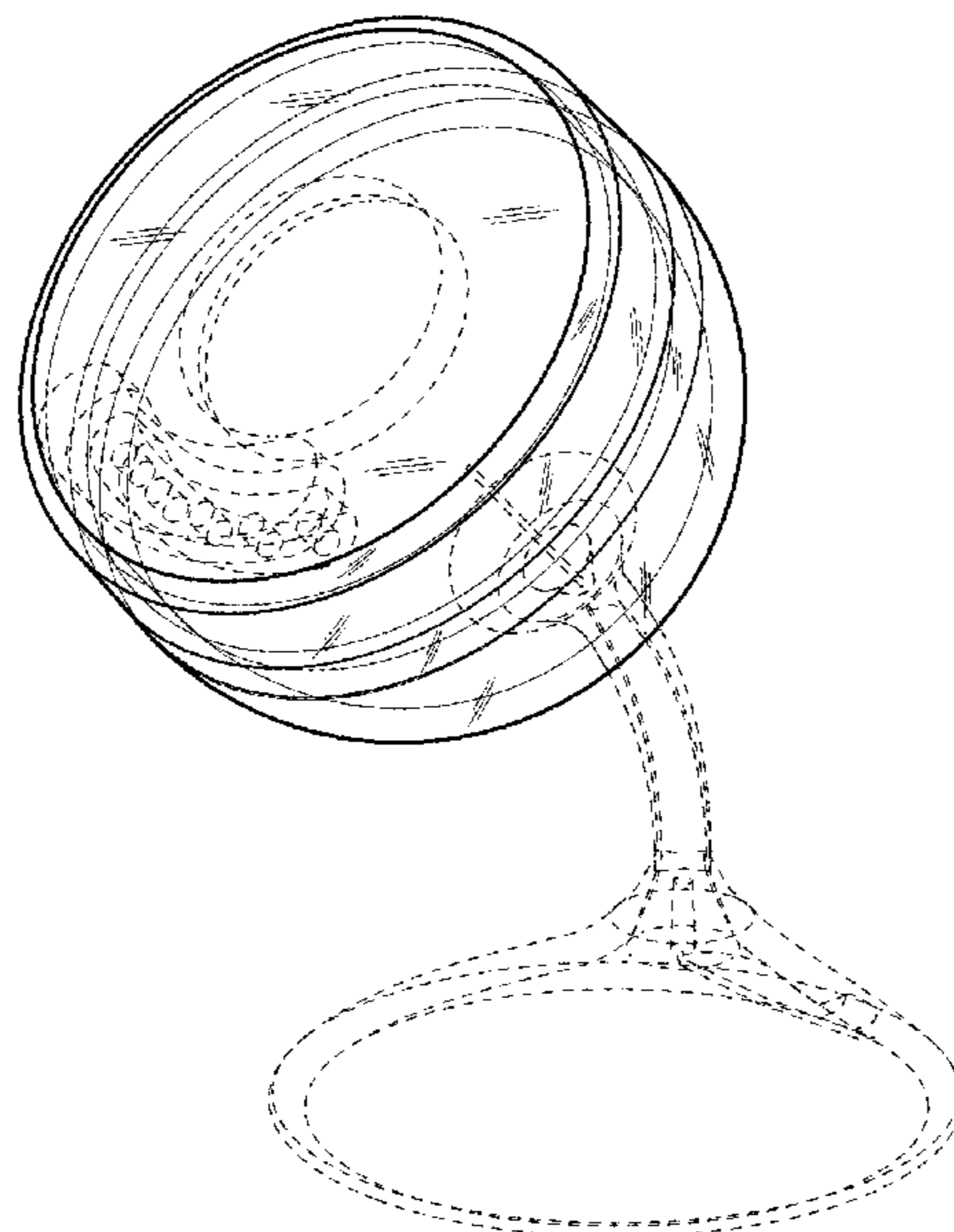
(57) **CLAIM**

We claim the ornamental design for a container and portions thereof, as shown and described.

DESCRIPTION

FIG. 1 is a perspective view of a portion of a container in accordance with our invention;
FIG. 2 is a top view of the portion of the container shown in FIG. 1;
FIG. 3 is a bottom view of the portion of the container shown in FIG. 1;
FIG. 4 is a left side view of the portion of the container shown in FIG. 1;
FIG. 5 is a right side view of the portion of the container shown in FIG. 1;
FIG. 6 is a front view of the portion of the container shown in FIG. 1; and,
FIG. 7 is a rear view of the portion of the container shown in FIG. 1.
The broken lines depict portions of the container that form no part of the claimed design.

1 Claim, 7 Drawing Sheets



(56)

References Cited

U.S. PATENT DOCUMENTS

D329,558 S 9/1992 Keown
 D329,763 S 9/1992 Cuminale
 D362,123 S 9/1995 Johnston et al.
 D367,560 S 3/1996 Kwan
 D370,355 S 6/1996 Kenney
 D372,131 S 7/1996 Perkins, Jr.
 D393,104 S 3/1998 Wolff
 D396,562 S 8/1998 Kenney
 5,794,771 A 8/1998 Krawec et al.
 D421,074 S 2/2000 Resich
 D424,330 S 5/2000 DeWitt
 D426,205 S 6/2000 Knoop
 6,132,123 A 10/2000 Gueret
 6,205,688 B1 3/2001 Grosser-Samuels
 D457,011 S 5/2002 Wenner et al.
 D473,721 S 4/2003 Chu
 D475,930 S 6/2003 Chang
 D482,493 S 11/2003 Lillelund et al.
 D499,890 S 12/2004 Peck
 D500,640 S 1/2005 Lawson et al.
 D502,338 S 3/2005 Zanghi et al.
 D533,330 S * 12/2006 Beaulieu D99/34
 D537,753 S * 3/2007 Belokin D11/145
 D540,068 S 4/2007 Zhang
 D544,727 S 6/2007 Valdez
 D581,681 S 12/2008 Goolrick
 D607,666 S 1/2010 Isbell
 D628,020 S 11/2010 Lim
 D643,231 S 8/2011 Huang
 D646,904 S 10/2011 Feldstein et al.
 D649,153 S 11/2011 Symons
 D649,594 S 11/2011 Yi et al.
 D655,582 S * 3/2012 Matsumoto D7/629
 D658,444 S * 5/2012 Krašovec Pogorelčnik .. D7/509
 D662,366 S * 6/2012 Smyers D7/612
 D682,045 S 5/2013 Myoung
 D683,141 S 5/2013 Symons

D685,610 S * 7/2013 Bangert D7/537
 D690,137 S 9/2013 Kikkert et al.
 D690,138 S 9/2013 Kikkert et al.
 D693,607 S 11/2013 Johnson et al.
 D730,091 S 5/2015 Chan
 D782,853 S 4/2017 Foster
 D784,737 S 4/2017 Kroll
 D785,977 S 5/2017 Kroll
 D786,668 S 5/2017 Cornaglia
 D787,840 S 5/2017 Spigler
 D789,348 S 6/2017 Kim
 RE46,460 E 7/2017 Kroll
 D806,450 S 1/2018 Seong
 D813,576 S 3/2018 Schwalbach et al.
 D814,831 S 4/2018 Modlin
 D827,923 S 9/2018 Whetsel et al.
 D830,744 S 10/2018 Kroll
 D838,525 S 1/2019 Guo
 D850,165 S 6/2019 Eads et al.
 D851,459 S * 6/2019 McGill D7/524
 D855,449 S * 8/2019 Smith D9/414
 D856,045 S 8/2019 Schwalbach et al.
 D856,046 S 8/2019 Akana et al.
 D863,053 S * 10/2019 Smith D9/414
 D876,945 S * 3/2020 Smith D9/414
 D887,383 S 6/2020 Wang
 D914,412 S 3/2021 Angeles
 D917,235 S * 4/2021 Manska D7/524
 2008/0023347 A1 * 1/2008 Wahl B65D 77/2024
 206/217
 2201/0028292 11/2010 Boies
 2013/0306516 A1 11/2013 Dougherty et al.
 2014/0106608 A1 4/2014 Howarth et al.
 2016/0223126 A1 8/2016 Mireles
 2018/0134447 A1 5/2018 Zimmer
 2018/0160828 A1 6/2018 Turner et al.
 2018/0282011 A1 10/2018 Evans
 2020/0113353 A1 4/2020 Bigioni
 2020/0146422 A1 5/2020 Kamboj

* cited by examiner

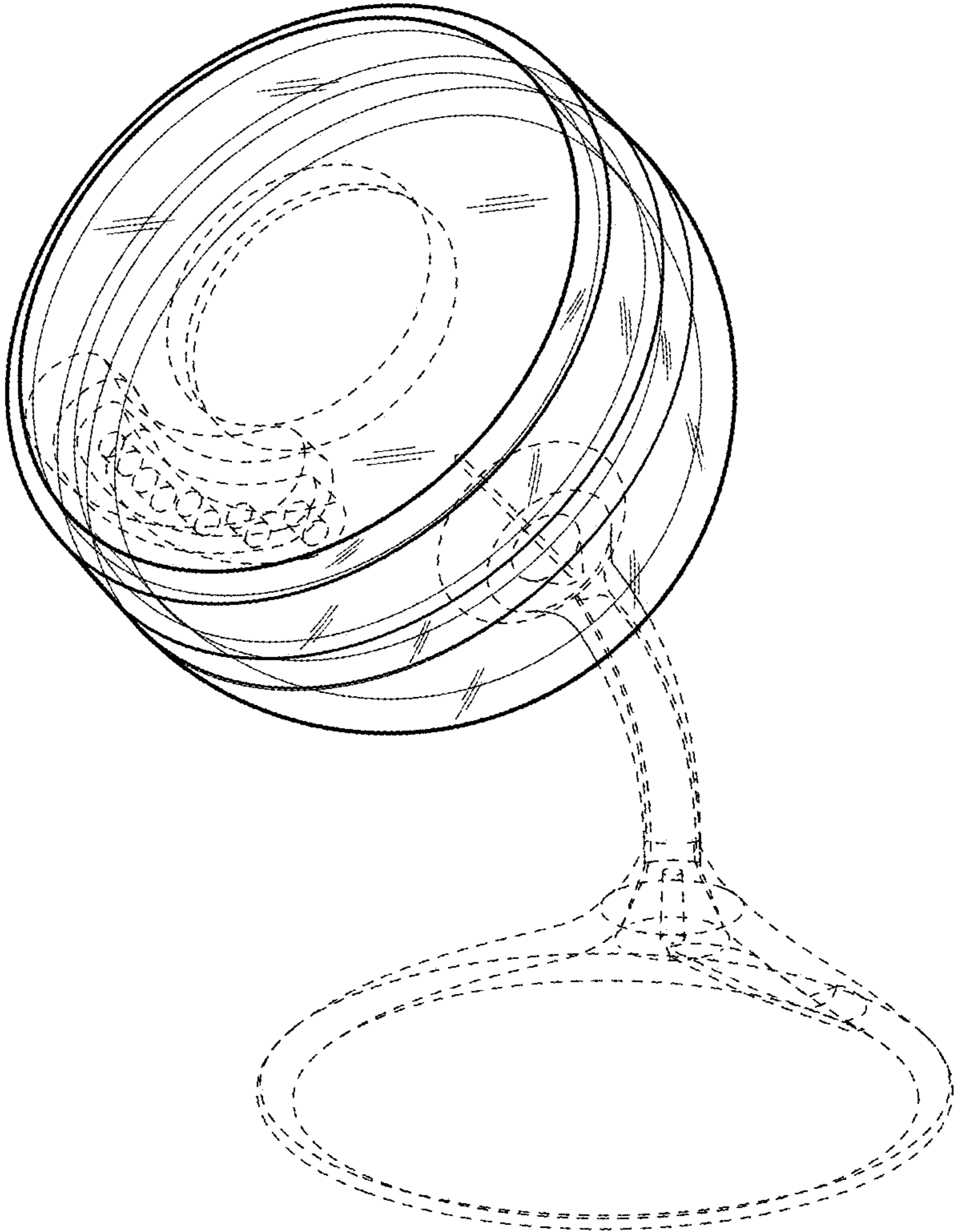


FIG. 1

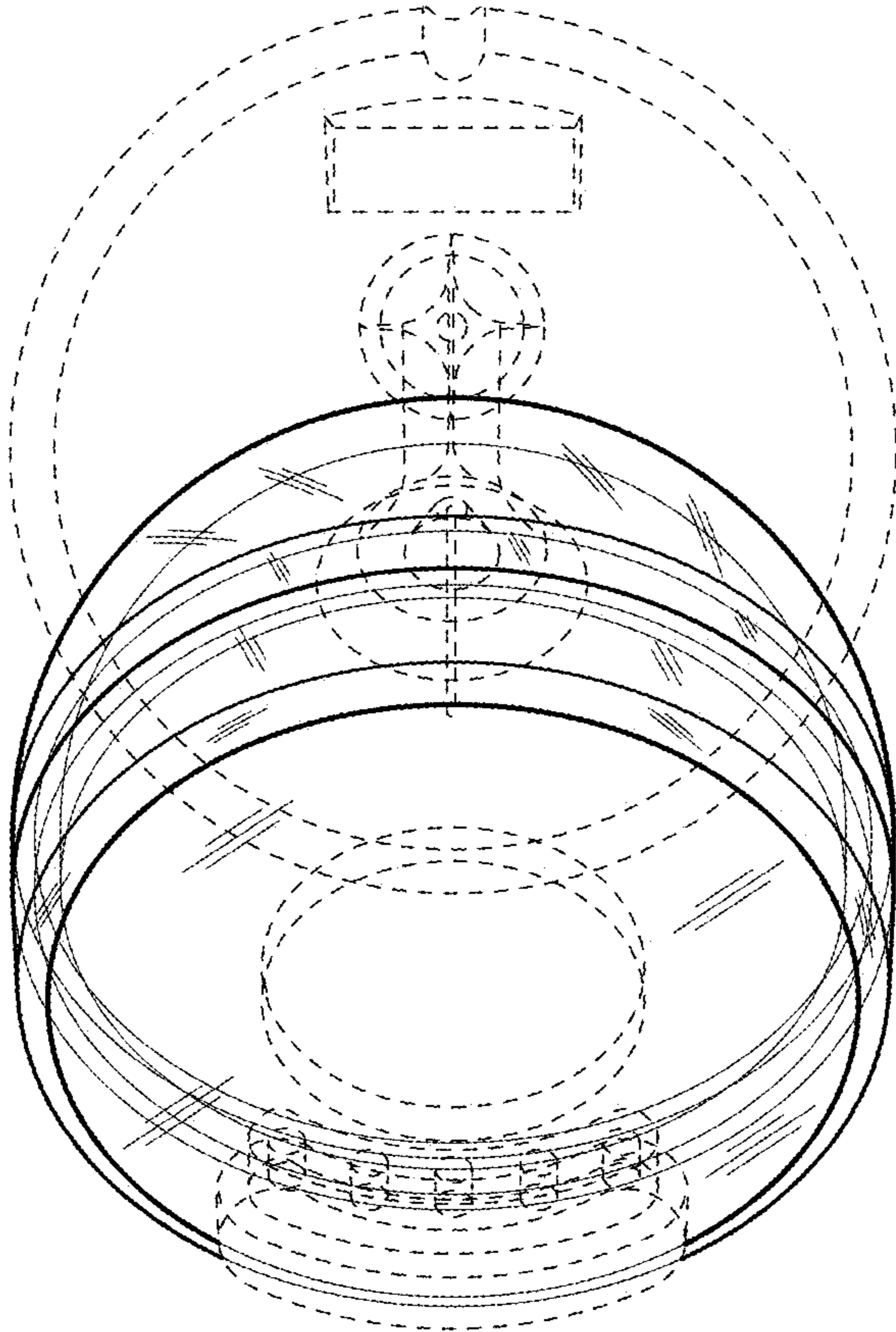


FIG. 2

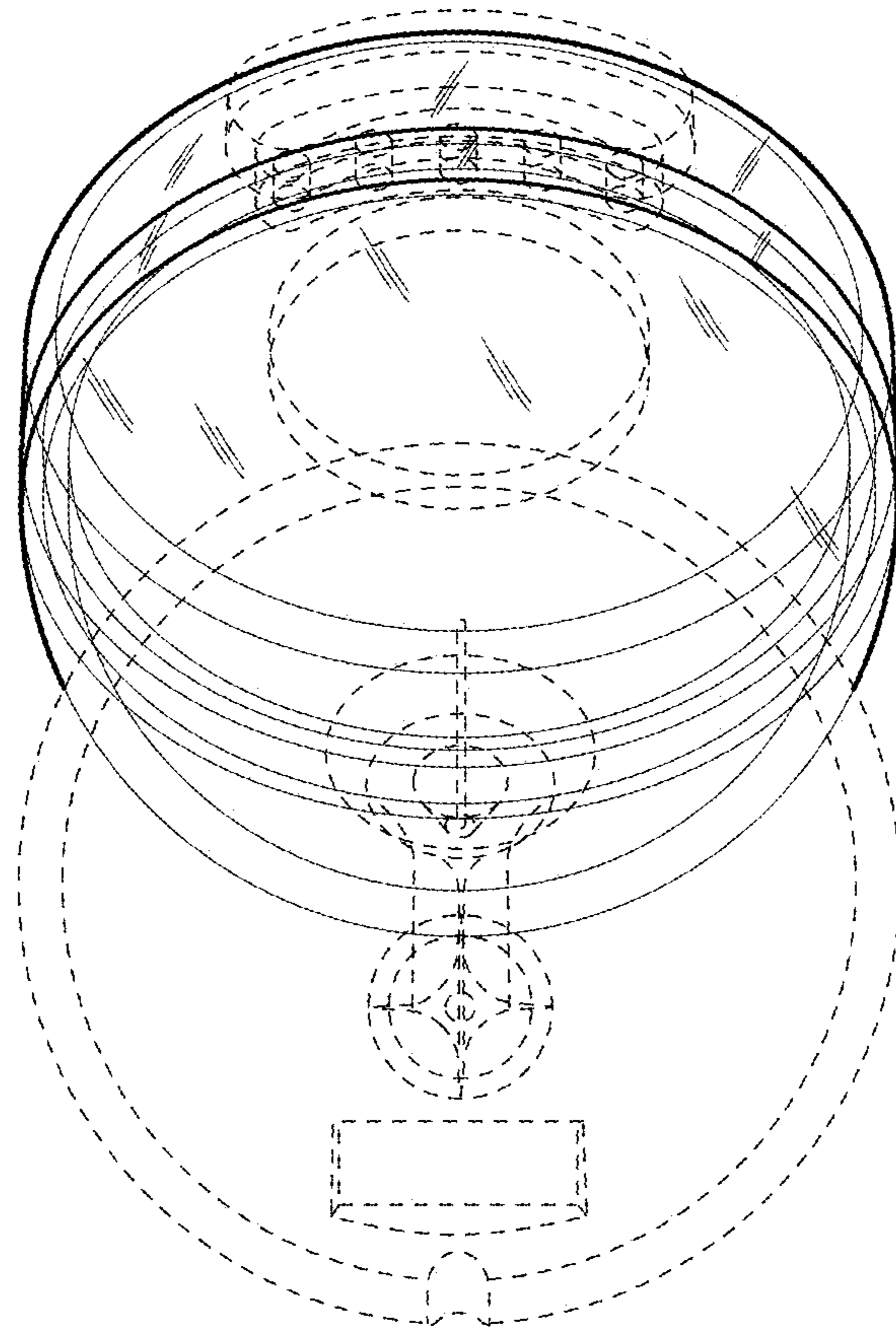


FIG. 3

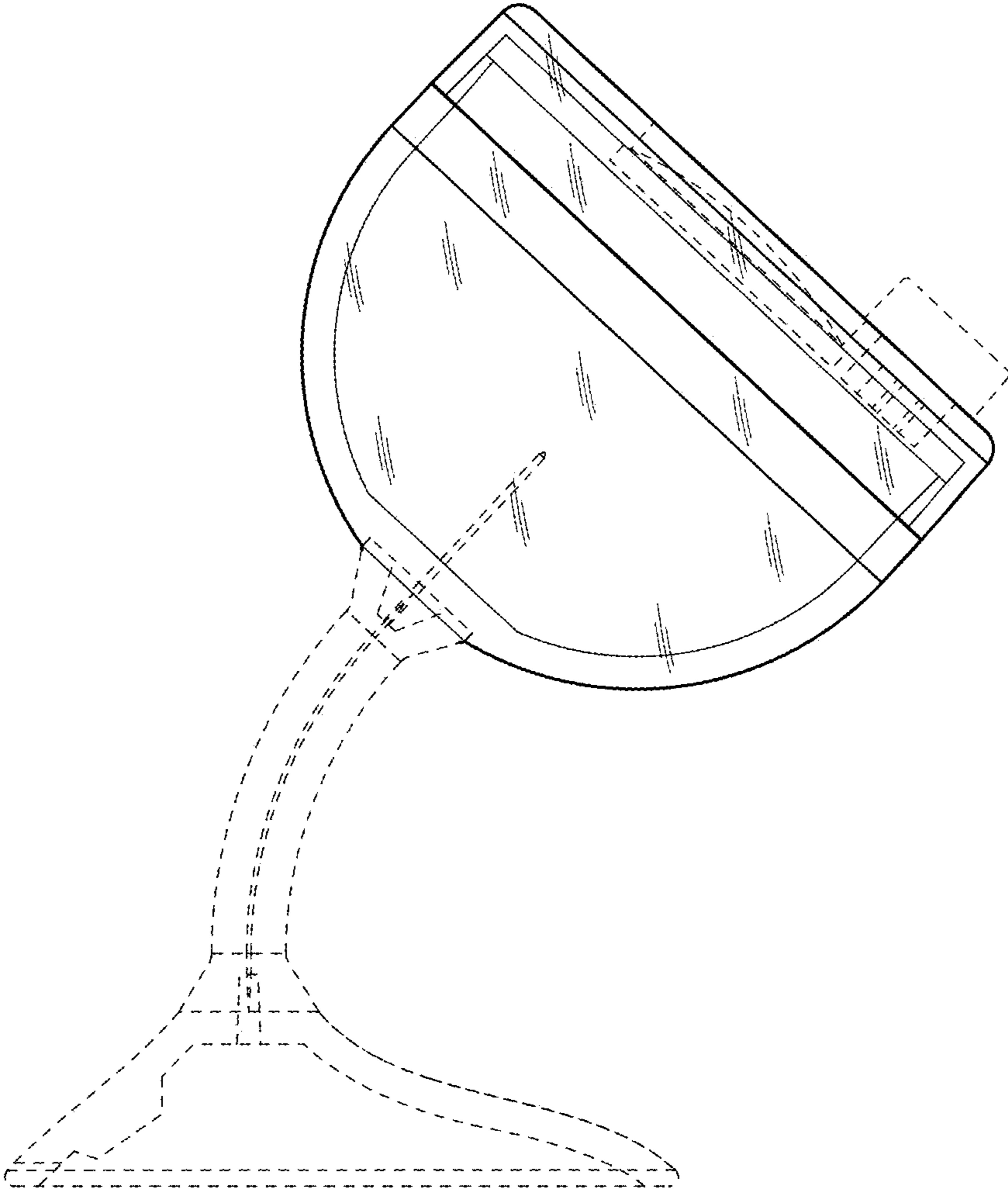


FIG. 4

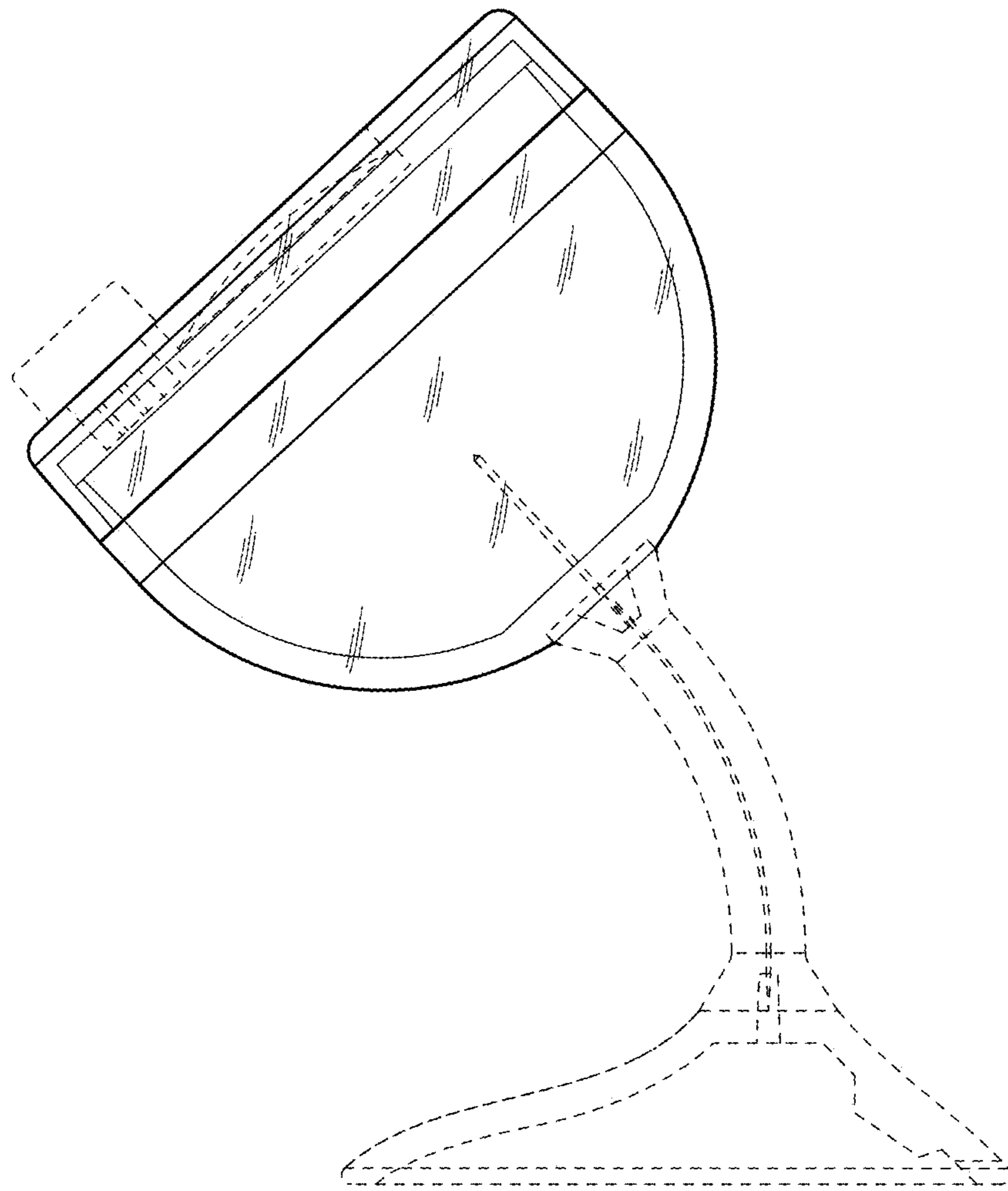


FIG. 5

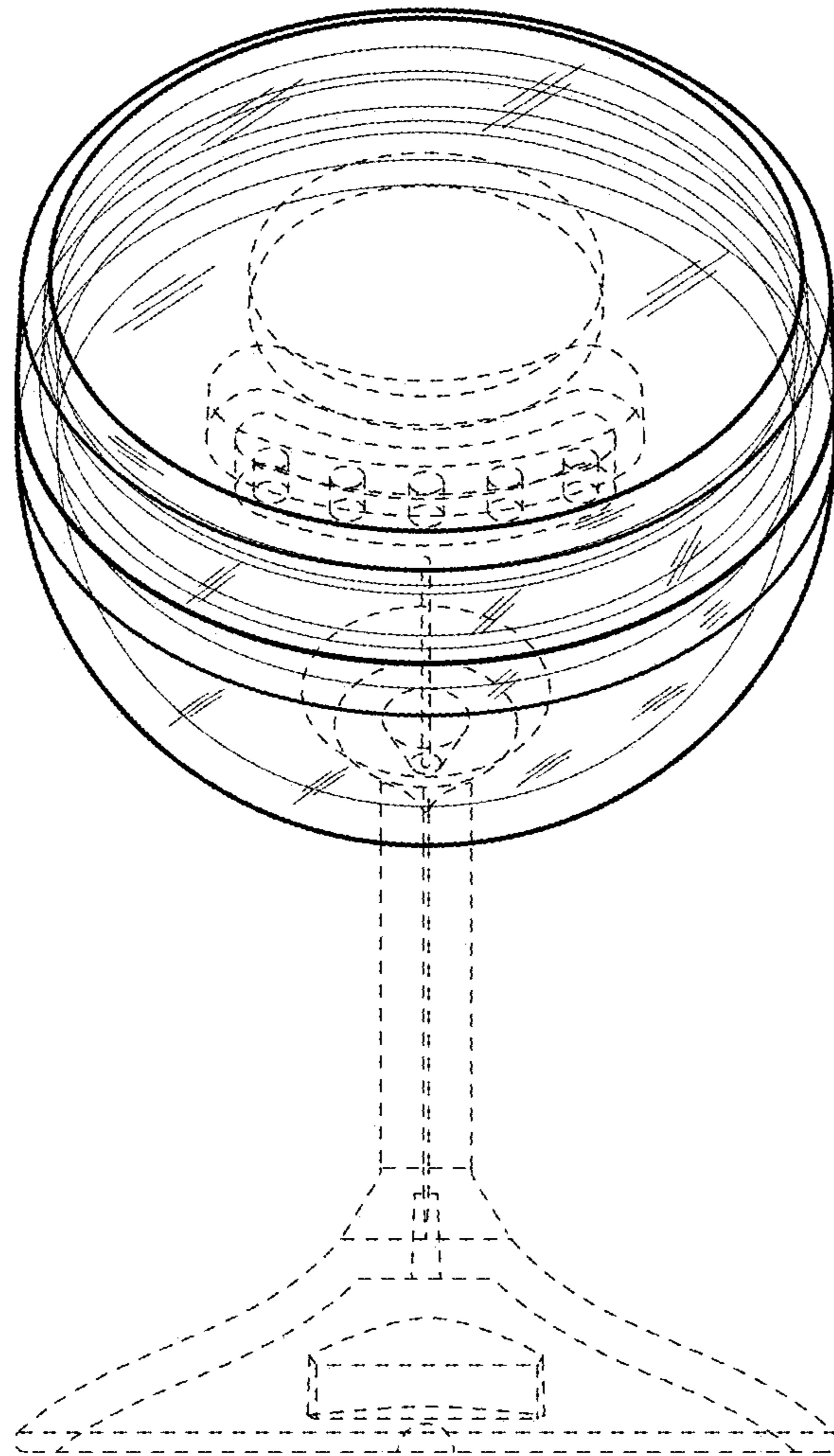


FIG. 6

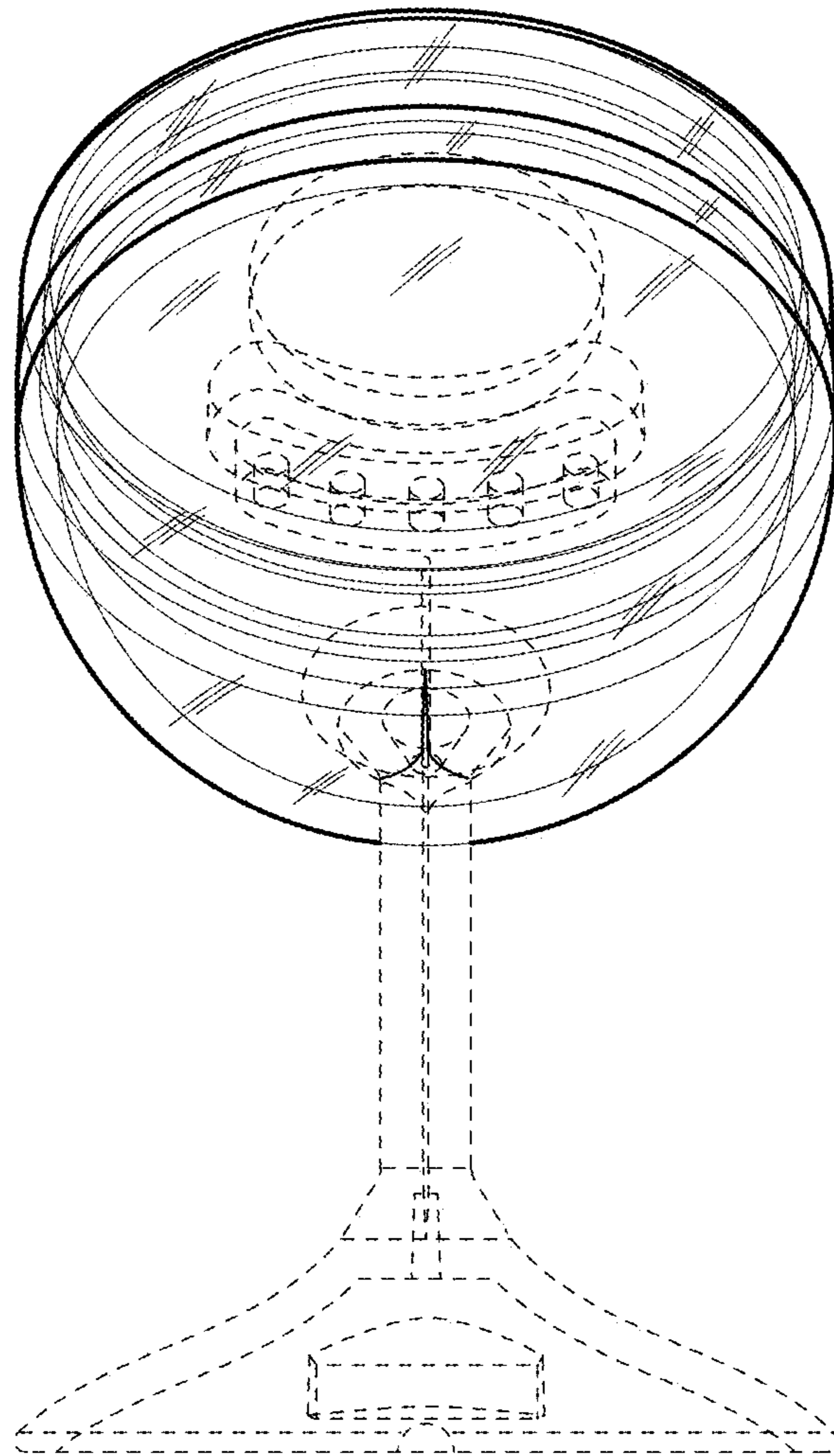


FIG. 7