



US00D957243S

(12) **United States Design Patent** (10) **Patent No.:** **US D957,243 S**  
**Dancy et al.** (45) **Date of Patent:** **\*\* Jul. 12, 2022**

- (54) **ANTI-LIGATURE COVER FOR CORNER APPLICATIONS**
- (71) Applicant: **NATIONAL GUARD PRODUCTS, INC.**, Memphis, TN (US)
- (72) Inventors: **Derald Gene Dancy**, Collierville, TN (US); **Theophil Durwin Goossens**, Southaven, MS (US)
- (73) Assignee: **NATIONAL GUARD PRODUCTS, INC.**, Memphis, TN (US)
- (\*\*) Term: **15 Years**
- (21) Appl. No.: **29/723,125**
- (22) Filed: **Feb. 4, 2020**
- (51) **LOC (13) Cl.** ..... **08-09**
- (52) **U.S. Cl.**  
USPC ..... **D8/403**
- (58) **Field of Classification Search**  
USPC ..... D8/321, 322, 330, 331, 338, 340, 341, D8/343, 381, 346, 354, 403  
CPC ..... E05B 13/00; E05B 15/00; E05B 17/00  
See application file for complete search history.

(56) **References Cited**

**U.S. PATENT DOCUMENTS**

2,995,863	A *	8/1961	Bright	.....	A45C 13/36 217/69
D253,506	S *	11/1979	Vigue	.....	D8/403
4,731,918	A *	3/1988	Burghardt	.....	B27F 5/12 29/525.12
D336,033	S *	6/1993	Welsh	.....	D8/403
D356,946	S *	4/1995	Rekuc	.....	D8/403
5,619,953	A *	4/1997	Griffin	.....	A01K 15/024 119/621
D473,498	S *	4/2003	Breckner	.....	D12/172
D499,674	S *	12/2004	Breckner	.....	D12/167

D618,995	S *	7/2010	Lavelle	.....	D8/403
D624,813	S *	10/2010	Lavelle	.....	D8/403
9,119,611	B2 *	9/2015	Super	.....	A61L 2/26
D768,474	S *	10/2016	Super	.....	D8/403
D783,856	S *	4/2017	Super	.....	D24/227
D829,368	S *	9/2018	Hynek	.....	D26/138
D865,509	S *	11/2019	Stewart	.....	D8/403
10,709,109	B2 *	7/2020	Stewart	.....	A47C 31/11
D898,553	S *	10/2020	Trombley	.....	D8/354
D924,676	S *	7/2021	Dancy	.....	D8/403
D937,268	S *	11/2021	Jourson	.....	D14/432
2004/0211946	A1 *	10/2004	Farrara	.....	B66F 7/28 254/90
2011/0278199	A1 *	11/2011	Dane	.....	A61L 2/26 29/525.01

\* cited by examiner

*Primary Examiner* — Keli L Hill

*Assistant Examiner* — Harold E Blackwell, II

(74) *Attorney, Agent, or Firm* — Bass, Berry & Sims, PLC; Shu Chen

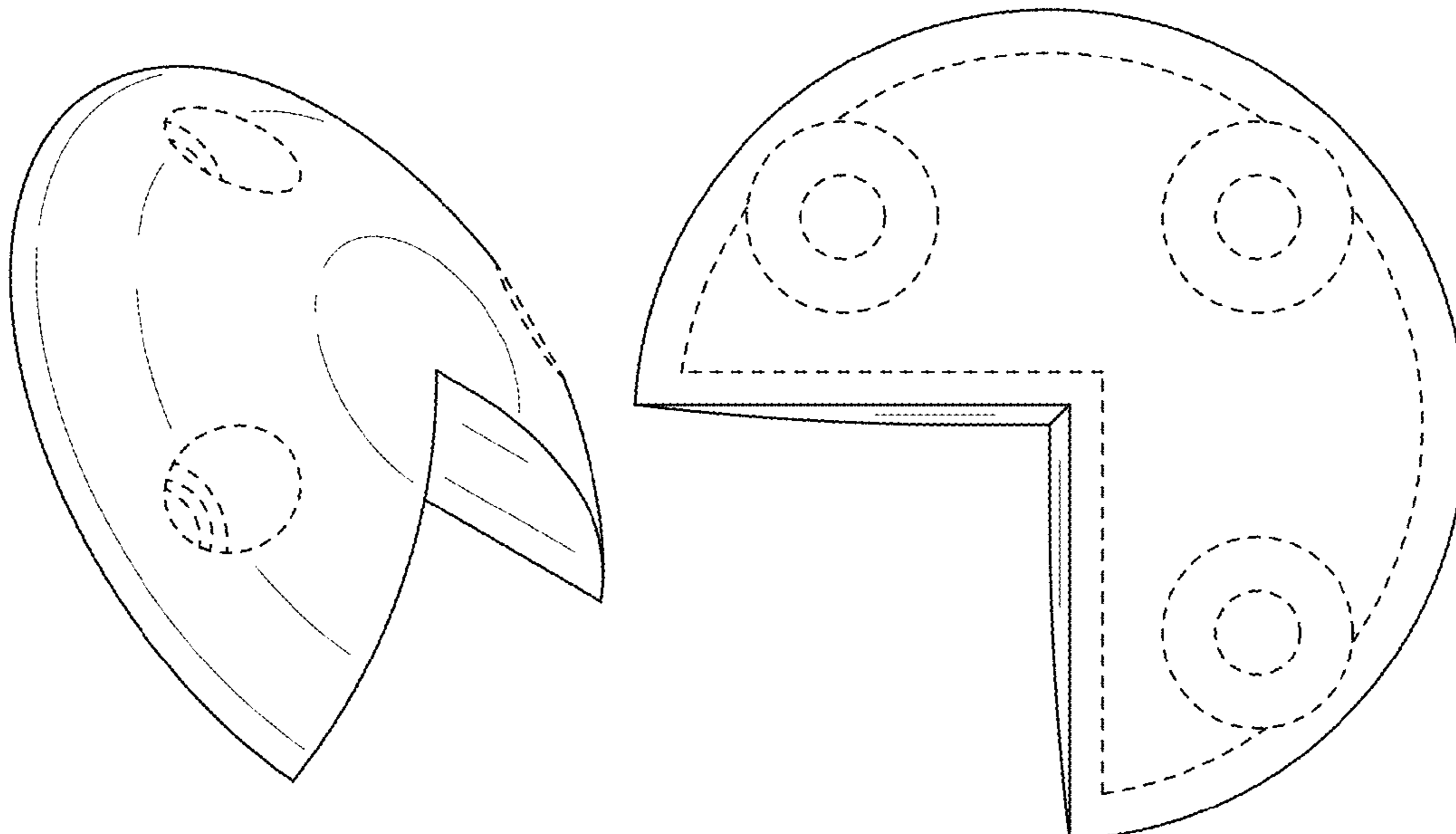
(57) **CLAIM**

The ornamental design for an anti-ligature cover for corner applications, as shown and described.

**DESCRIPTION**

FIG. 1 is a perspective view of an anti-ligature cover for corner applications showing our new design; FIG. 2 is a front side view thereof; FIG. 3 is a back side view thereof; FIG. 4 is a left side view thereof; FIG. 5 is a right side view thereof; FIG. 6 is a top view thereof; and, FIG. 7 is a bottom view thereof. The broken lines are included for the purpose of illustrating portions of the anti-ligature cover for corner applications that form no part of the claimed design.

**1 Claim, 7 Drawing Sheets**



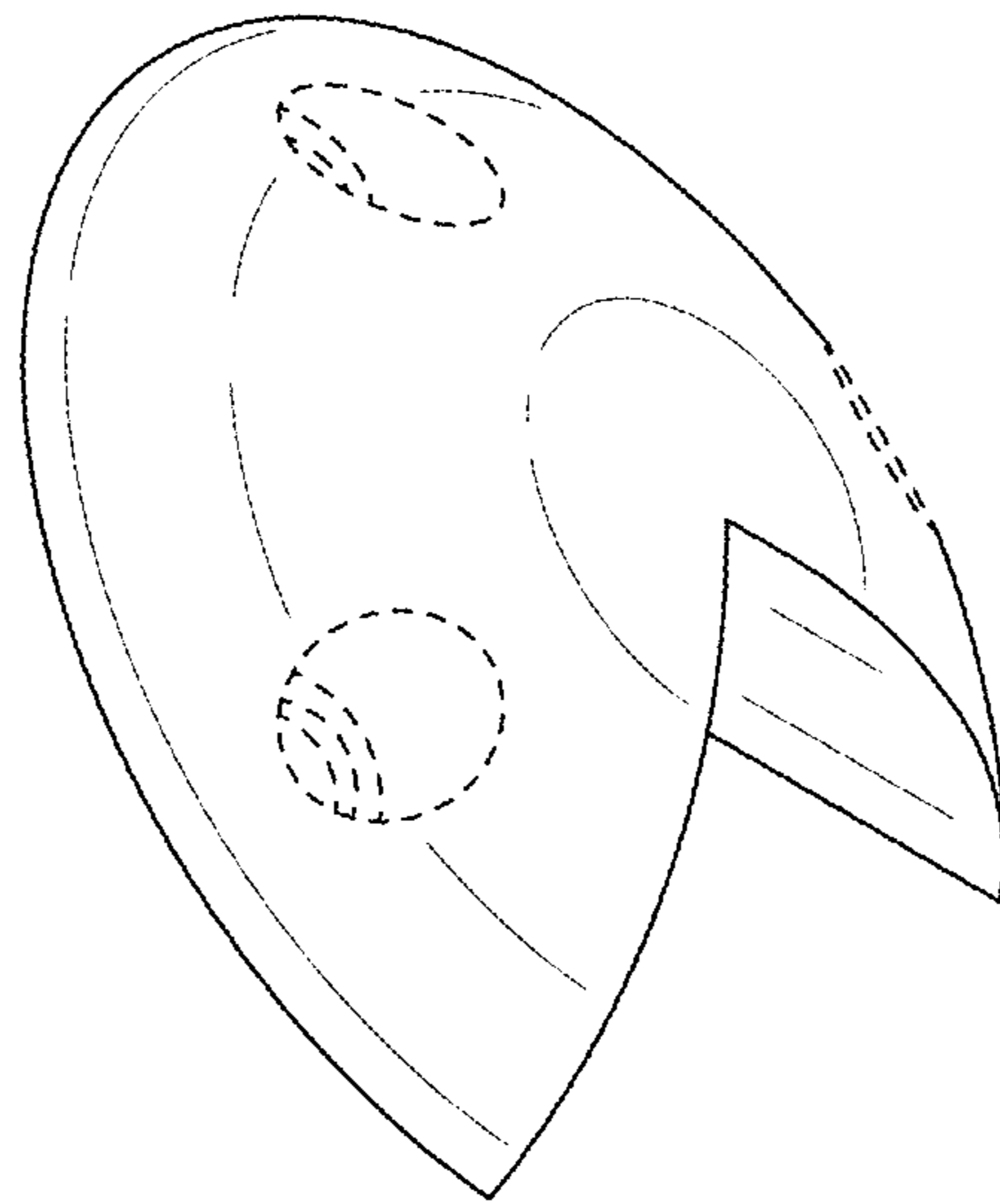


FIG. 1

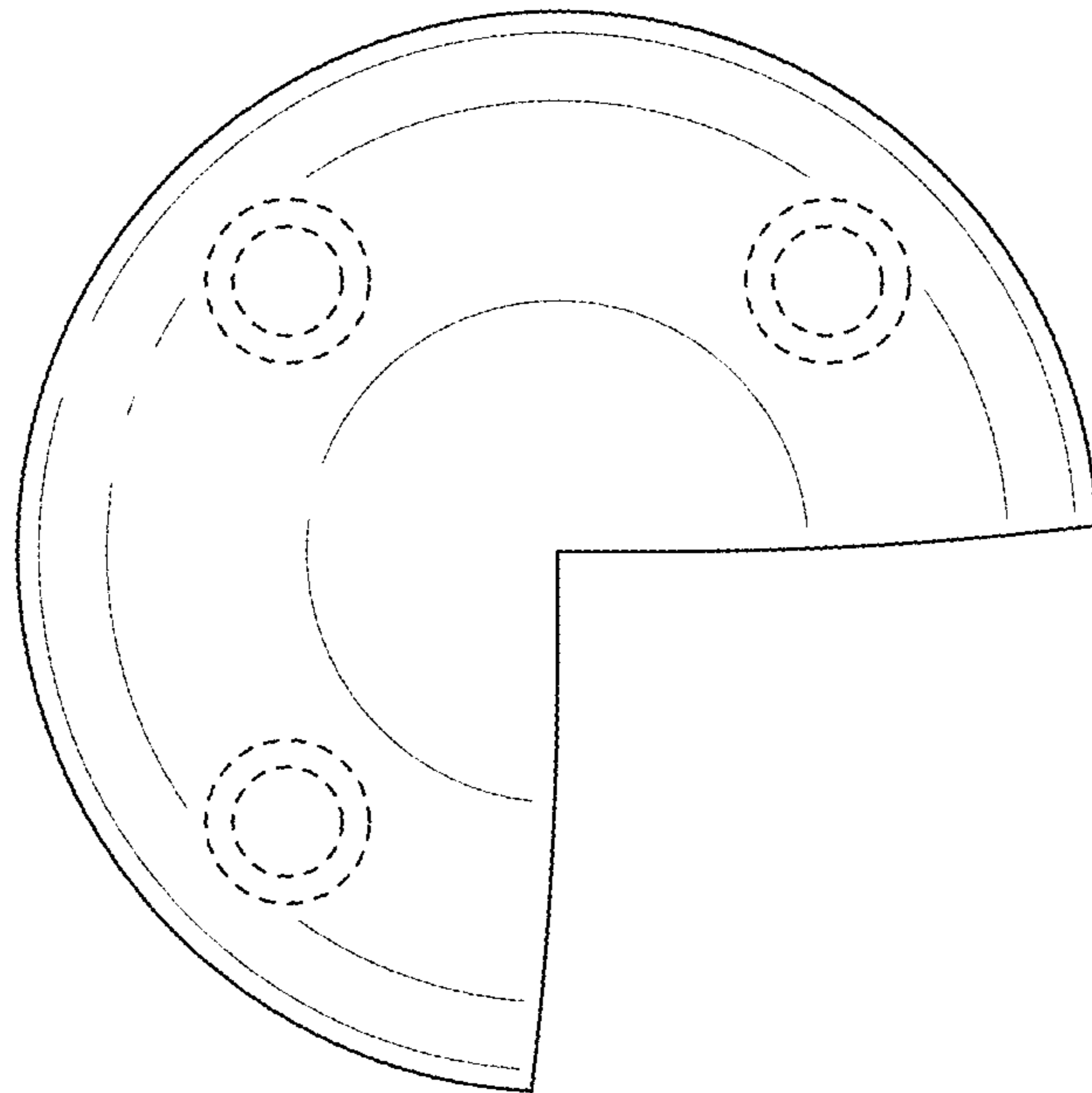


FIG. 2

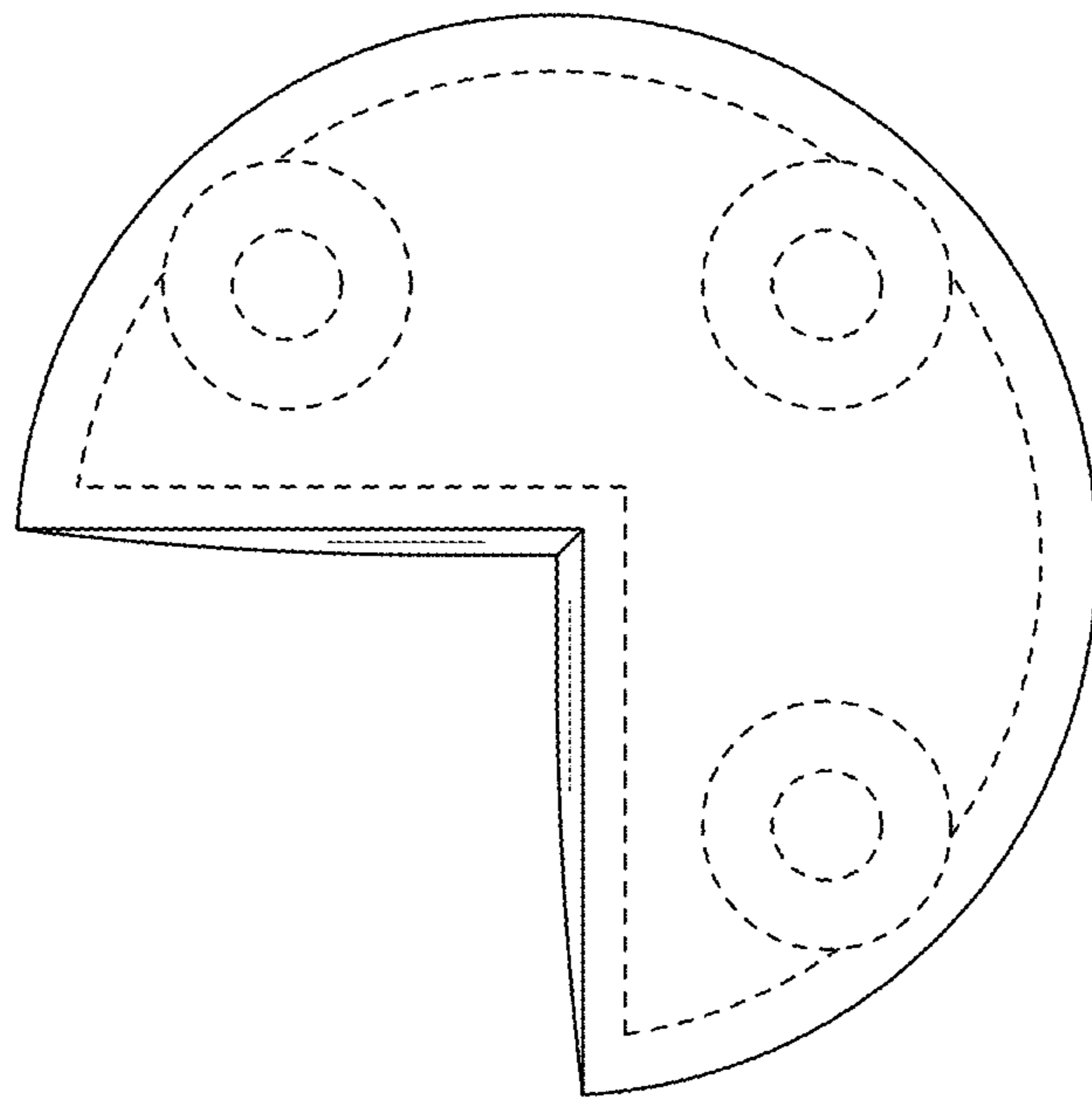


FIG. 3

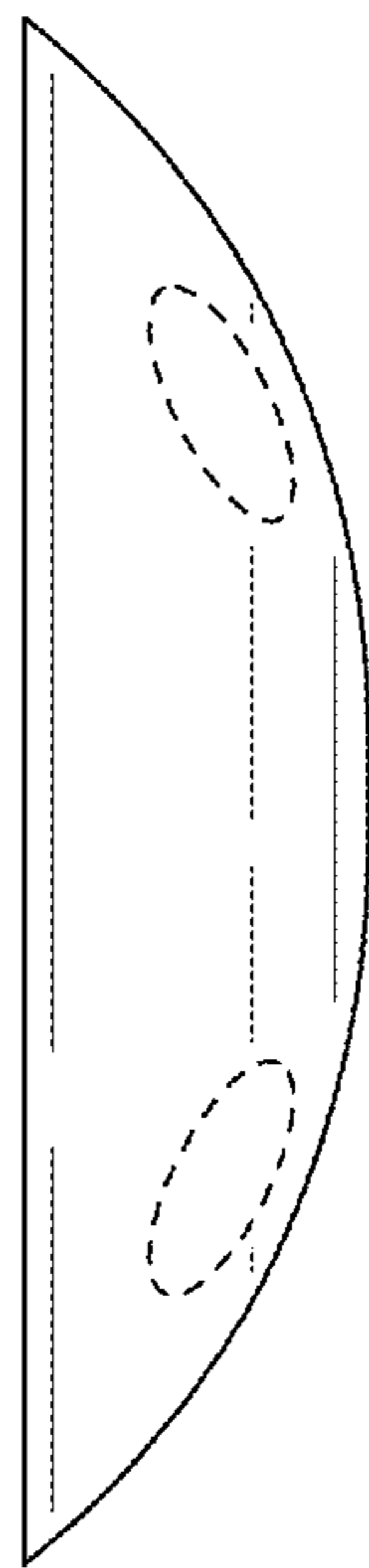


FIG. 4

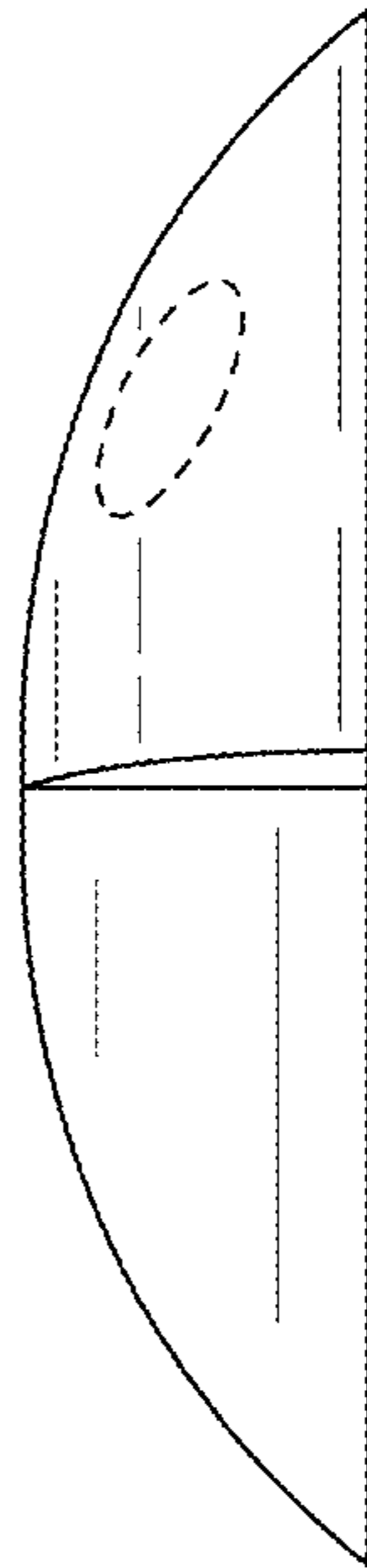


FIG. 5

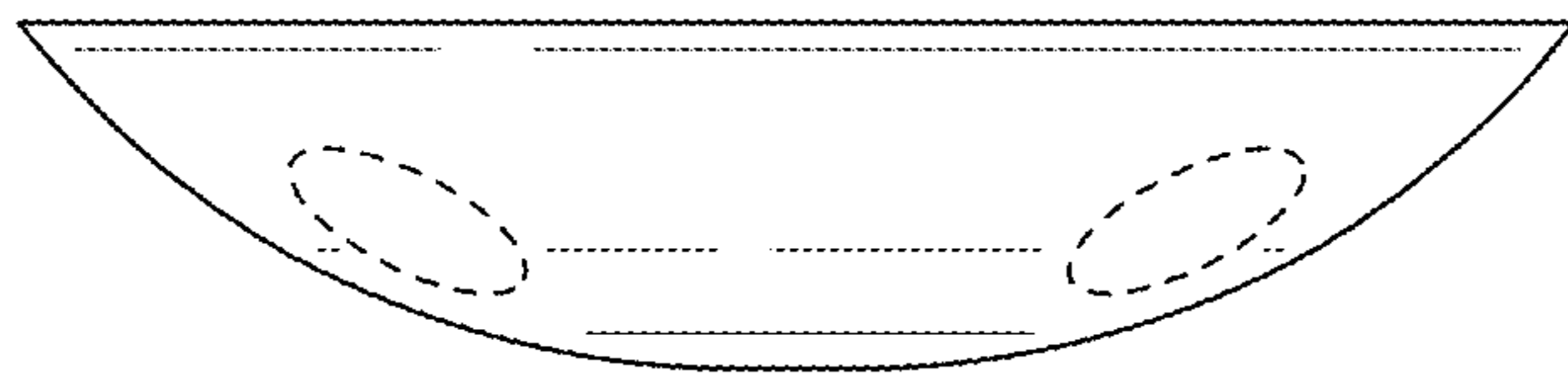


FIG. 6

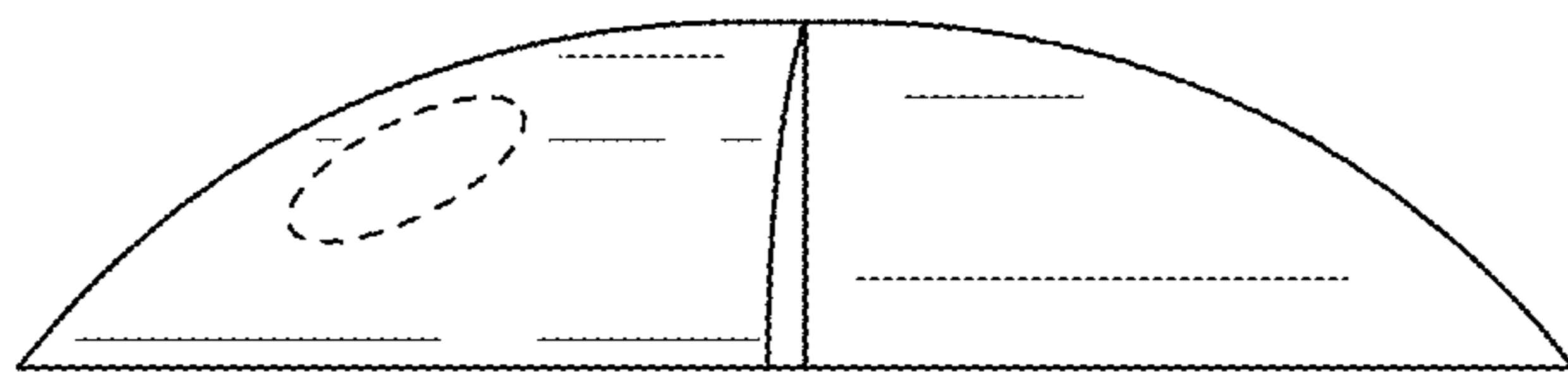


FIG. 7