



US00D957241S

(12) **United States Design Patent** (10) **Patent No.:** **US D957,241 S**  
**Deng** (45) **Date of Patent:** **\*\* Jul. 12, 2022**

(54) **PLAYPEN CONNECTOR**  
(71) Applicant: **Xiang Deng**, Shenzhen (CN)  
(72) Inventor: **Xiang Deng**, Shenzhen (CN)  
(\*\*) Term: **15 Years**

D827,416 S \* 9/2018 Macdonald ..... D8/349  
D831,850 S \* 10/2018 Nguyen ..... D8/382  
D867,108 S \* 11/2019 Bowron ..... D8/354  
D885,170 S \* 5/2020 McMullin ..... D8/382  
D926,295 S \* 7/2021 Zhang ..... D23/262  
(Continued)

(21) Appl. No.: **29/783,212**  
(22) Filed: **May 12, 2021**  
(51) **LOC (13) Cl.** ..... **08-08**  
(52) **U.S. Cl.**  
USPC ..... **D8/382**  
(58) **Field of Classification Search**  
USPC ..... D6/331, 702, 718.26; D8/349, 354, 373,  
D8/380, 382, 394, 396, 499; D23/262,  
D23/263  
CPC ..... F16B 2012/145; F16B 12/02; F16B  
2012/443; F16B 2012/446; F16B 12/46;  
F16B 12/50; F16B 2012/505; A47D  
13/063; A47D 13/065  
See application file for complete search history.

FOREIGN PATENT DOCUMENTS

CN 300768825 \* 4/2008  
CN 303160824 \* 4/2015  
(Continued)

OTHER PUBLICATIONS

AOJOYS Baby playpen Accessories Suction Cup Tee, Image upload date: Unknown, Image retrieved on: Feb. 10, 2022 (online ), [https://www.amazon.com/AOJOYS-Baby-playpen-Accessories-Suction/dp/B092V7MRVB/ref=asc\\_df\\_B092V7MRVB/?tag=hyprod-20&linkCode=df0&hvadid=563767984736&hvpos=&hvnetw=g&hvrnd=8270171237863561914&hvpon=&hvptwo=&hvqmt=&hvdev=c&hvdcmld=&hvlocint=&hvlocphy=9008130&hvtargid=pla-1601553670452&psc=1.\\*](https://www.amazon.com/AOJOYS-Baby-playpen-Accessories-Suction/dp/B092V7MRVB/ref=asc_df_B092V7MRVB/?tag=hyprod-20&linkCode=df0&hvadid=563767984736&hvpos=&hvnetw=g&hvrnd=8270171237863561914&hvpon=&hvptwo=&hvqmt=&hvdev=c&hvdcmld=&hvlocint=&hvlocphy=9008130&hvtargid=pla-1601553670452&psc=1.*)

*Primary Examiner* — Sheryl Lane  
*Assistant Examiner* — Ieisha N Price

(56) **References Cited**

U.S. PATENT DOCUMENTS

2,839,320 A \* 6/1958 Hill ..... F16B 7/0486  
D8/382  
3,386,590 A \* 6/1968 Gretz ..... F21V 35/00  
D6/702  
D211,905 S \* 8/1968 Goodridge ..... D25/68  
5,423,604 A \* 6/1995 Chern ..... A47B 47/005  
312/265.5  
5,615,530 A \* 4/1997 Kartler ..... E04F 21/1655  
52/287.1  
D381,573 S \* 7/1997 Sabounjian ..... D8/382  
D397,211 S \* 8/1998 Hirano ..... D23/262  
D418,047 S \* 12/1999 Hirano ..... D8/382  
D418,398 S \* 1/2000 Hirano ..... D8/382  
D423,918 S \* 5/2000 Hirano ..... D8/382  
6,247,869 B1 \* 6/2001 Lichvar ..... F16L 47/00  
403/403  
D453,553 S \* 2/2002 Maerz ..... D23/263  
D617,584 S \* 6/2010 Miller ..... D6/702  
9,255,396 B2 \* 2/2016 Eberhart ..... E04H 17/1417  
D783,390 S \* 4/2017 Nelson ..... D8/382

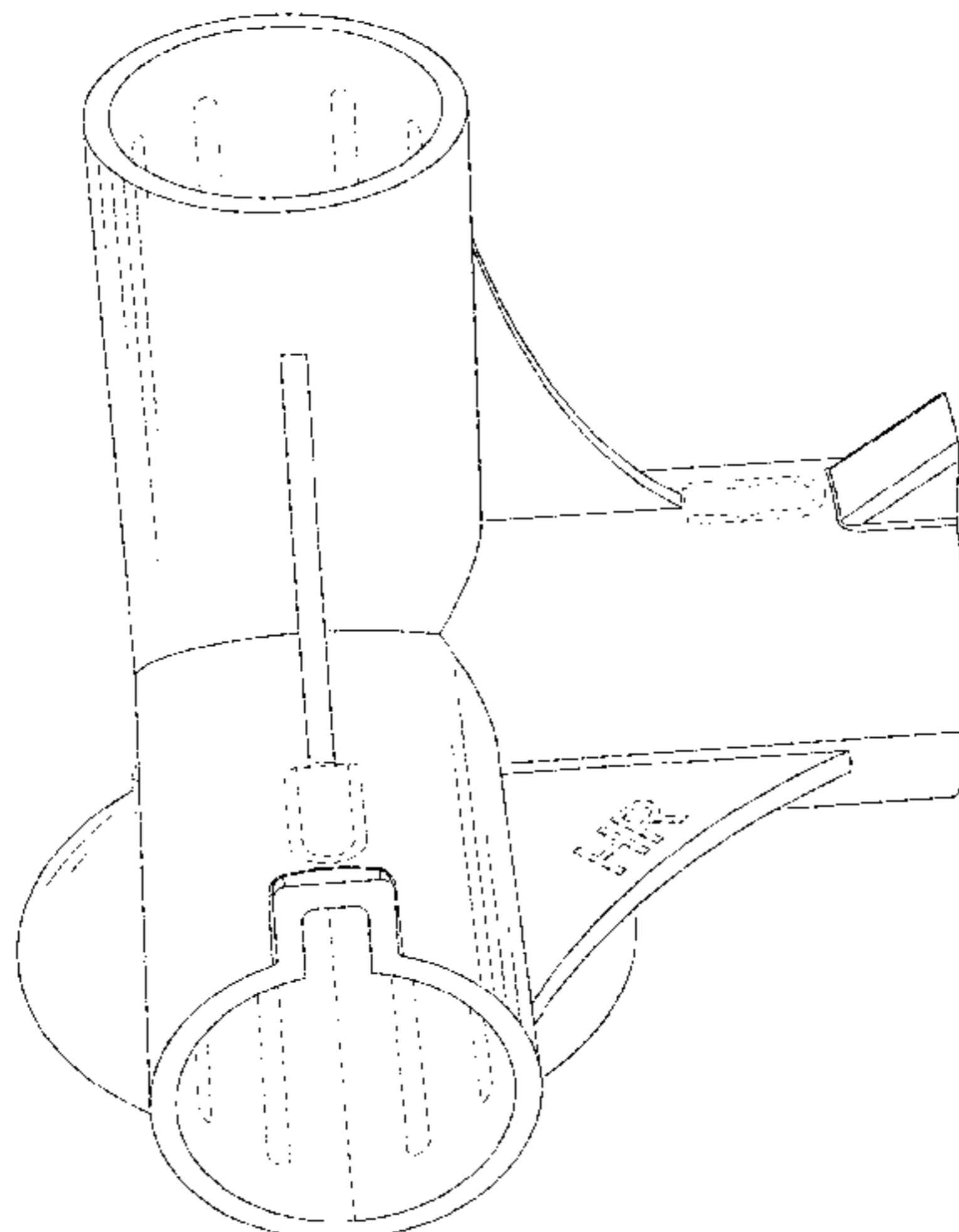
(57) **CLAIM**

The ornamental design for a playpen connector, as shown and described.

**DESCRIPTION**

FIG. 1 is a perspective view of a playpen connector showing my new design;  
FIG. 2 is a top plan view thereof;  
FIG. 3 is a bottom plan view thereof;  
FIG. 4 is a left side elevational view thereof;  
FIG. 5 is a right side elevational view thereof;  
FIG. 6 is a front elevational view thereof; and,  
FIG. 7 is a rear elevational view thereof.  
The broken lines in the drawings depict portions of the playpen connector that form no part of the claimed design.

**1 Claim, 7 Drawing Sheets**



(56)

**References Cited**

U.S. PATENT DOCUMENTS

D929,209 S \* 8/2021 Bowron ..... D8/354  
D930,277 S \* 9/2021 Huthmaker ..... D30/119  
2003/0097711 A1 5/2003 Cheng  
2007/0067907 A1\* 3/2007 Chen ..... A47D 7/007  
5/99.1  
2010/0260536 A1 10/2010 Yu et al.  
2015/0007387 A1\* 1/2015 Lo ..... A47D 9/005  
5/98.1  
2019/0301504 A1\* 10/2019 Nelson ..... F16B 12/50  
2020/0248852 A1\* 8/2020 Xie ..... F16B 12/50

FOREIGN PATENT DOCUMENTS

CN 305204434 \* 6/2019  
CN 306463018 \* 4/2021  
CN 306822537 \* 9/2021  
KR 301139997.0000 \* 12/2021

\* cited by examiner

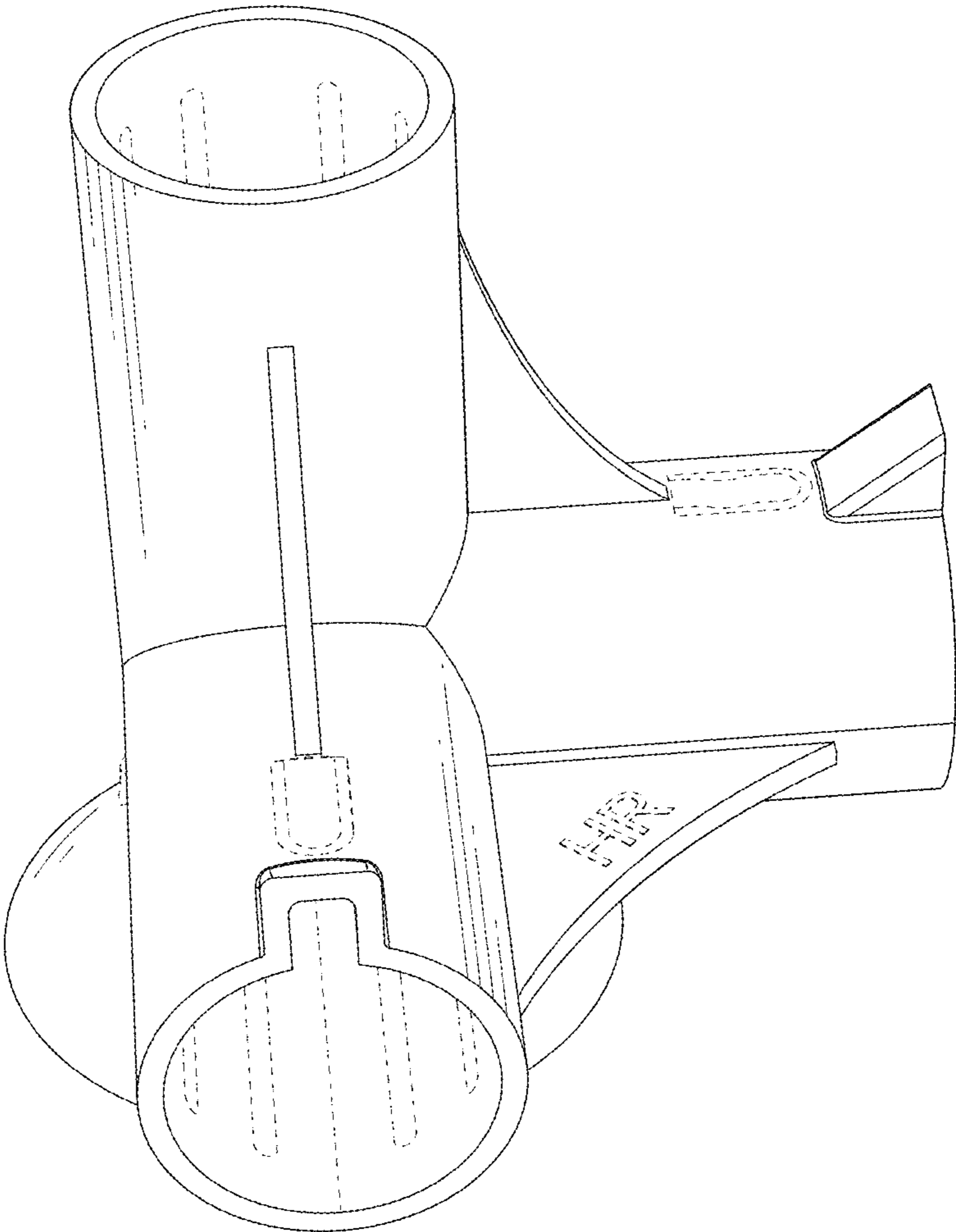


FIG. 1

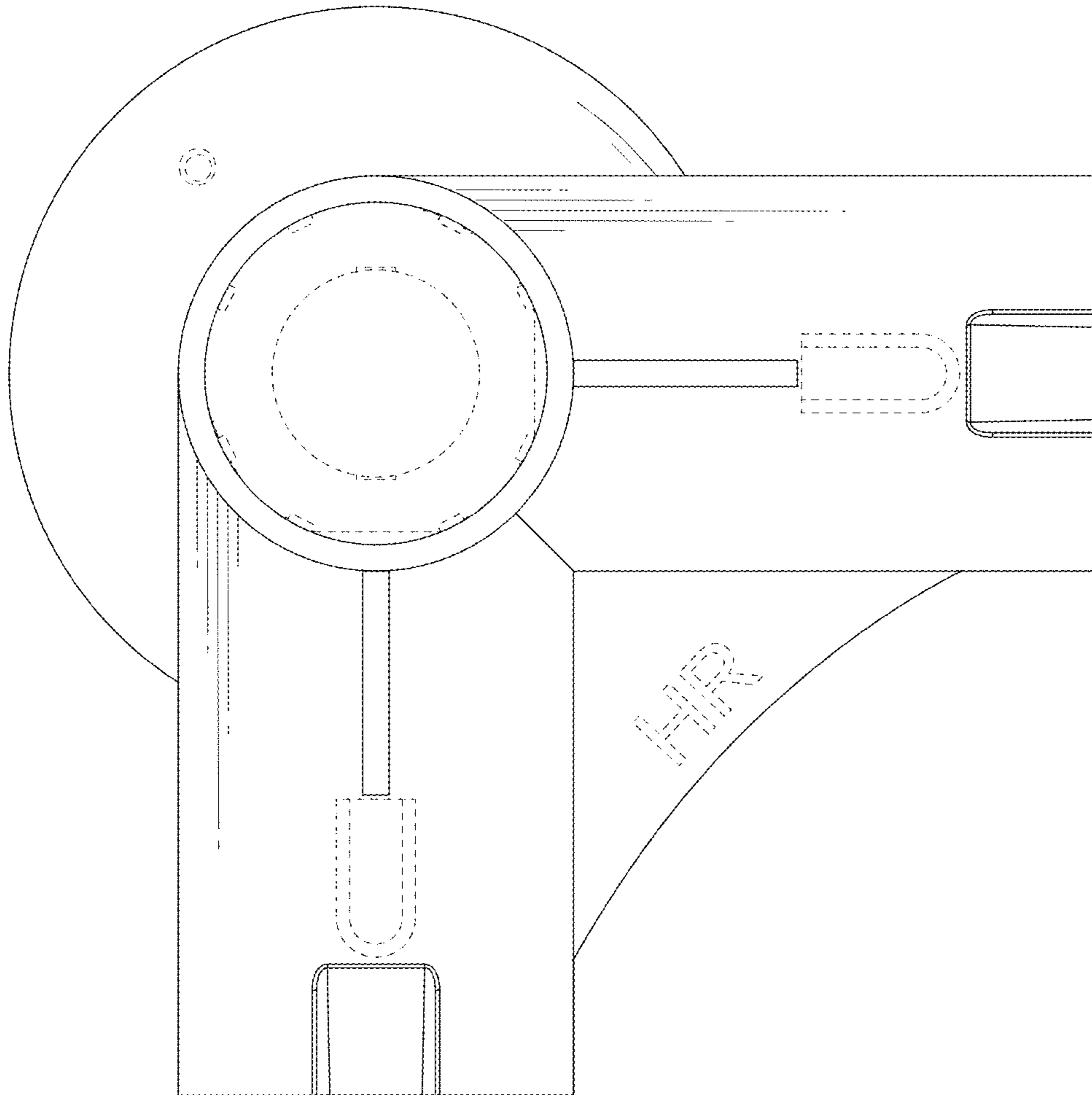


FIG. 2

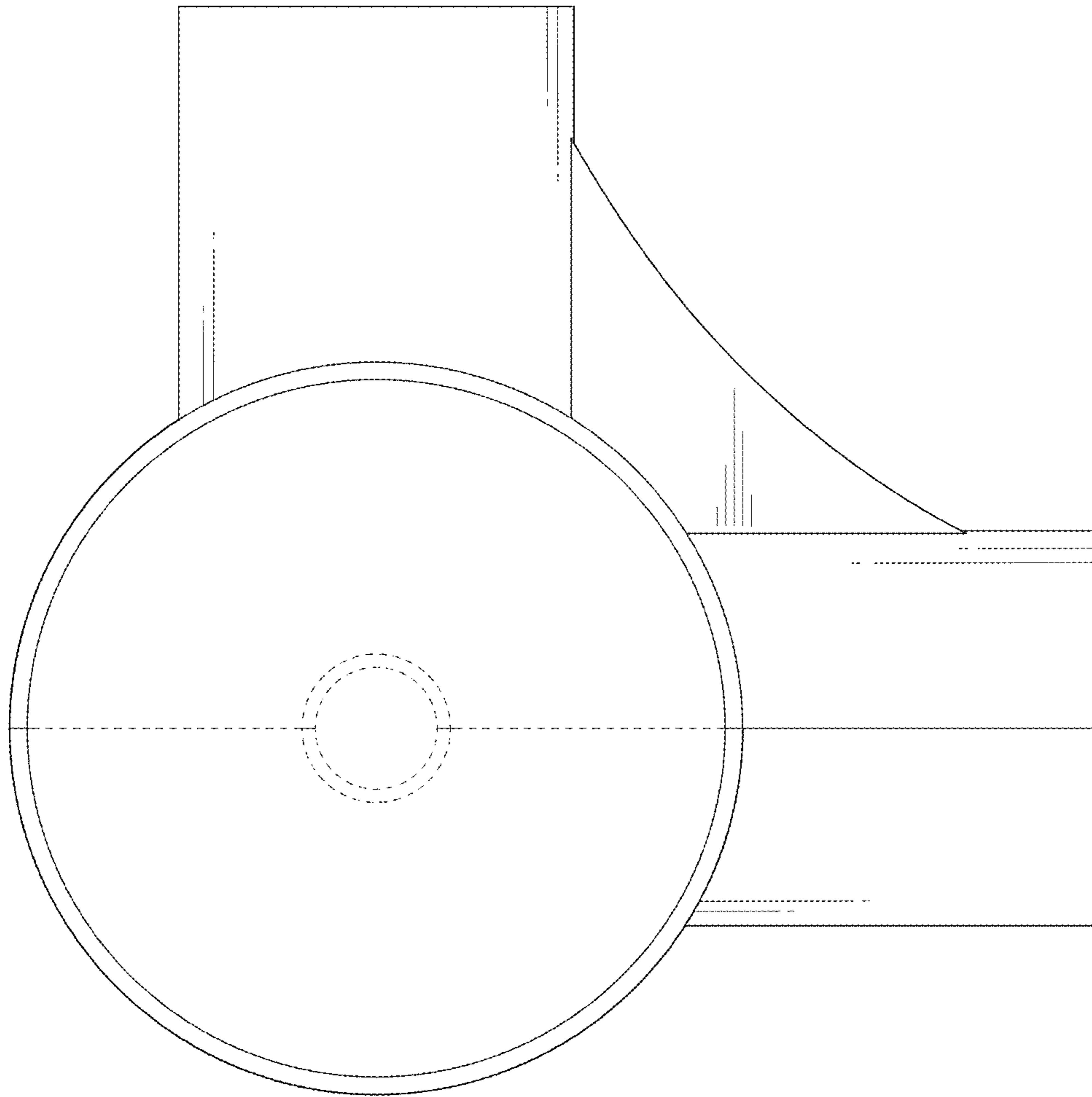


FIG. 3

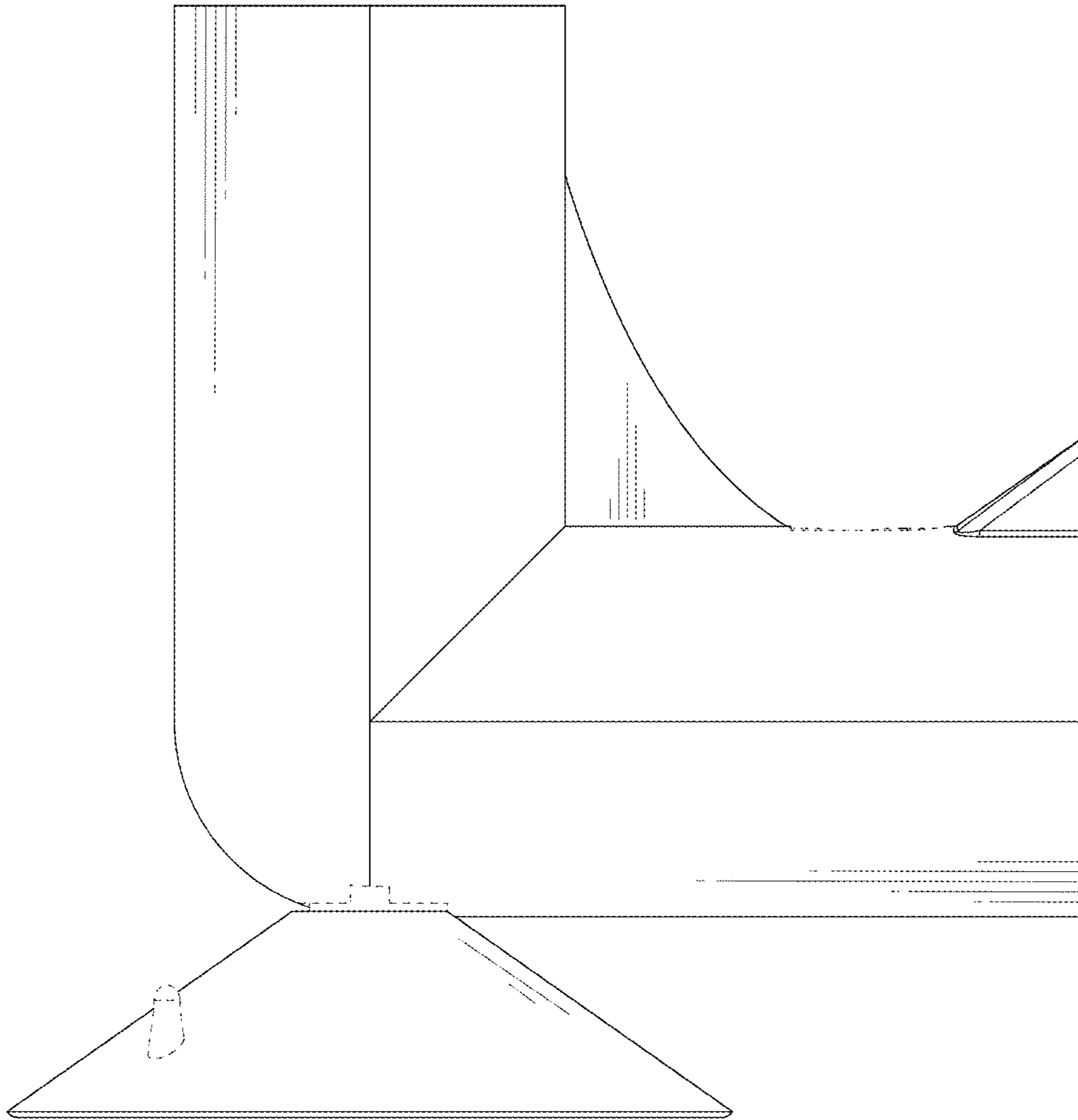


FIG. 4

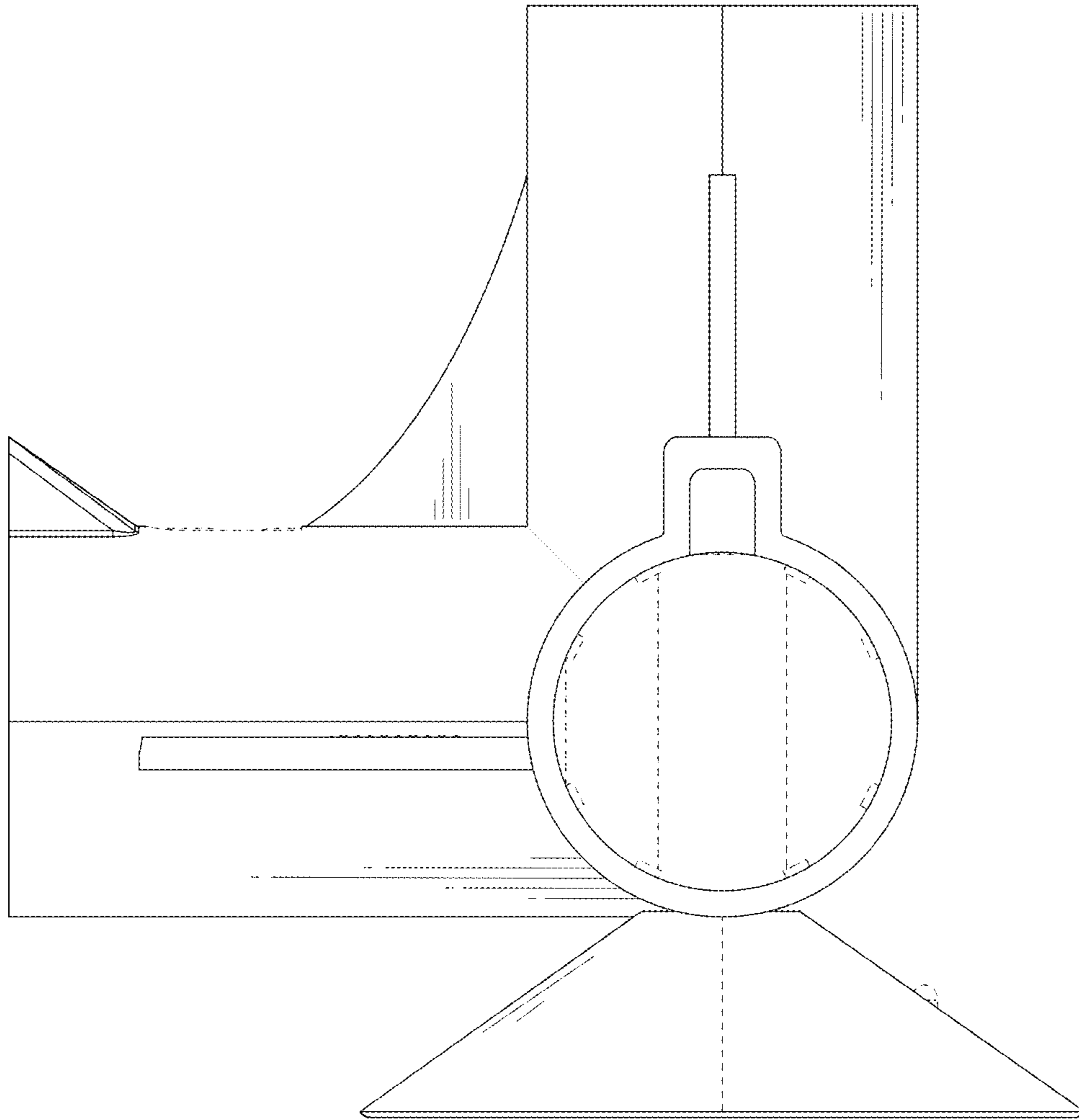


FIG. 5



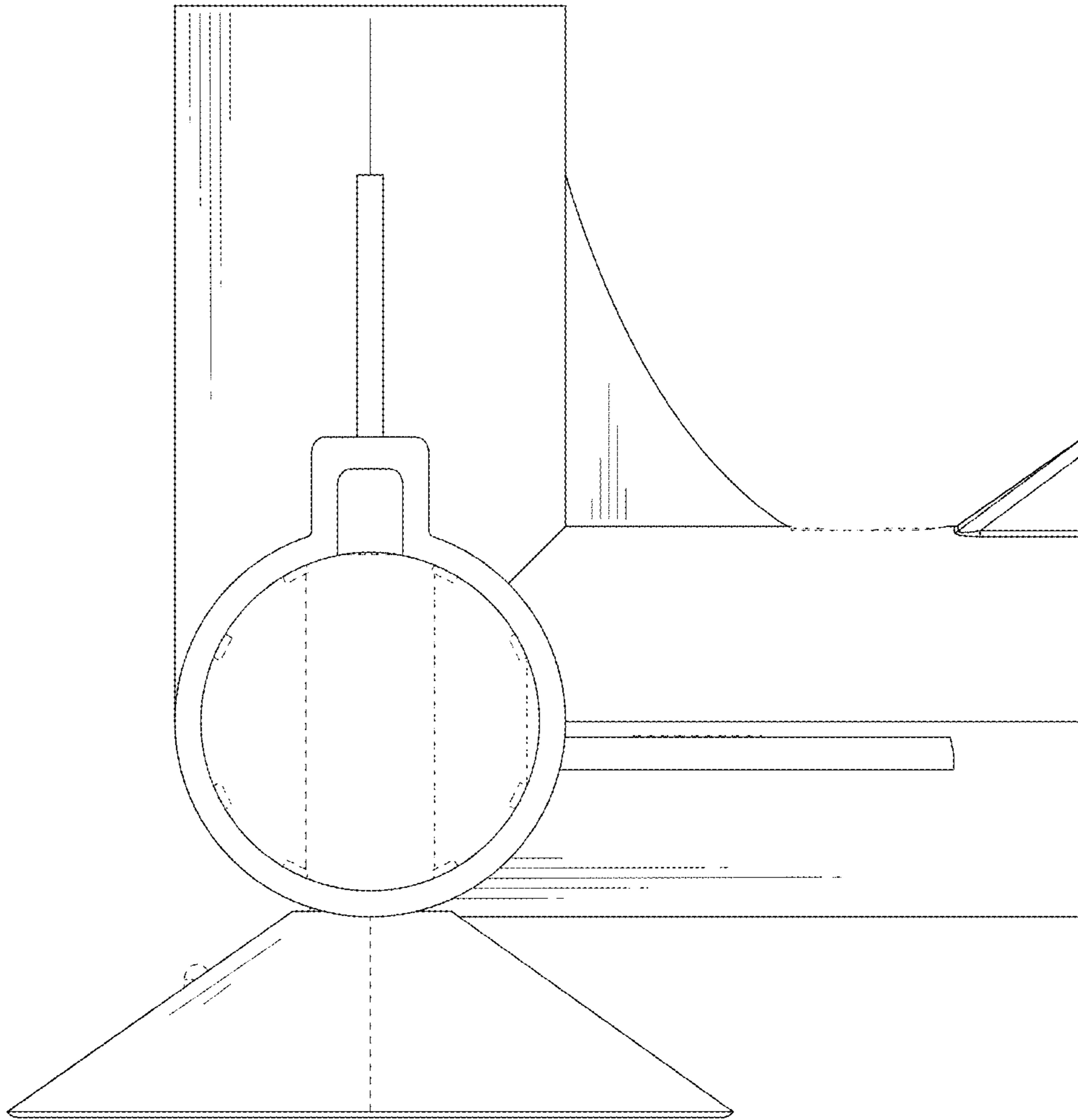


FIG. 6



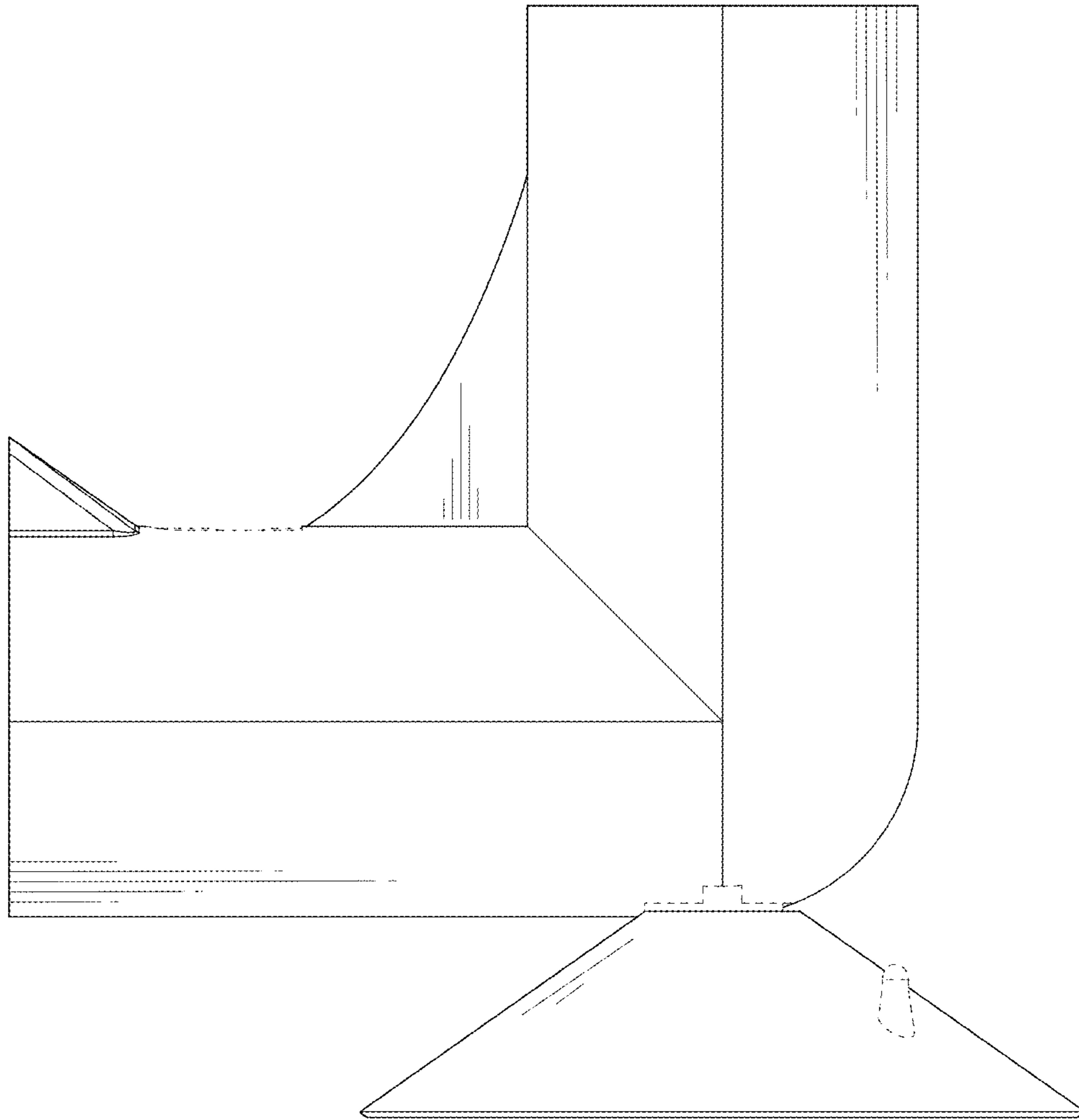


FIG. 7