



US00D957240S

(12) **United States Design Patent** (10) **Patent No.:** **US D957,240 S**
Brown et al. (45) **Date of Patent:** **** Jul. 12, 2022**

(54) **SECURITY SCREW**
(71) Applicants: **Randall Brown**, Surrey (CA); **William Leroy Kellett**, Langley (CA)
(72) Inventors: **Randall Brown**, Surrey (CA); **William Leroy Kellett**, Langley (CA)
(**) Term: **15 Years**
(21) Appl. No.: **29/722,451**
(22) Filed: **Jan. 30, 2020**
(51) **LOC (13) Cl.** **08-08**
(52) **U.S. Cl.**
USPC **D8/382**
(58) **Field of Classification Search**
USPC D8/387, 388, 391, 393
CPC F16B 23/0069; F16B 23/0007; F16B 41/005;
F16B 23/003; B21K 1/463; B25B 15/005
See application file for complete search history.

D677,146 S * 3/2013 Davis D8/387
D723,910 S 3/2015 Totsu
D847,622 S * 5/2019 Taylor D8/387
D848,252 S * 5/2019 Taylor D8/387
D906,099 S * 12/2020 Winter D8/387
2005/0129486 A1* 6/2005 Totsu B25B 15/005
411/402
2007/0043379 A1* 2/2007 Sullivan A61B 17/888
606/104
2013/0030476 A1* 1/2013 Shimko A61B 17/8615
606/308
2015/0257807 A1* 9/2015 Strnad B25B 15/005
606/308

(Continued)

(56) **References Cited**
U.S. PATENT DOCUMENTS
D243,317 S * 2/1977 Fukuyama D8/397
D322,928 S * 1/1992 Snodell D8/387
5,449,260 A * 9/1995 Whittle F16B 23/0007
411/377
D375,452 S * 11/1996 Housser D8/393
D415,676 S * 10/1999 Negishi D8/387
D482,957 S 12/2003 Lajeunesse et al.
D496,260 S 9/2004 Echazabal
D506,922 S 7/2005 Simon
D516,656 S * 3/2006 Hoffman D21/789
D517,404 S * 3/2006 Schluter D8/387
D524,637 S 7/2006 Schluter
D565,943 S * 4/2008 Bulte D8/388
D567,643 S * 4/2008 Campbell D8/387
D580,261 S * 11/2008 Bulte D8/387
D592,044 S * 5/2009 Bulte D8/387
D608,626 S * 1/2010 Camisasca D8/382
D640,918 S * 7/2011 Totsu D8/387

OTHER PUBLICATIONS

US Trademark Serial No. 88640679; Word Mark—Roby-Pin Filing date: Oct. 3, 2019 Publication date: Feb. 11, 2020.
(Continued)

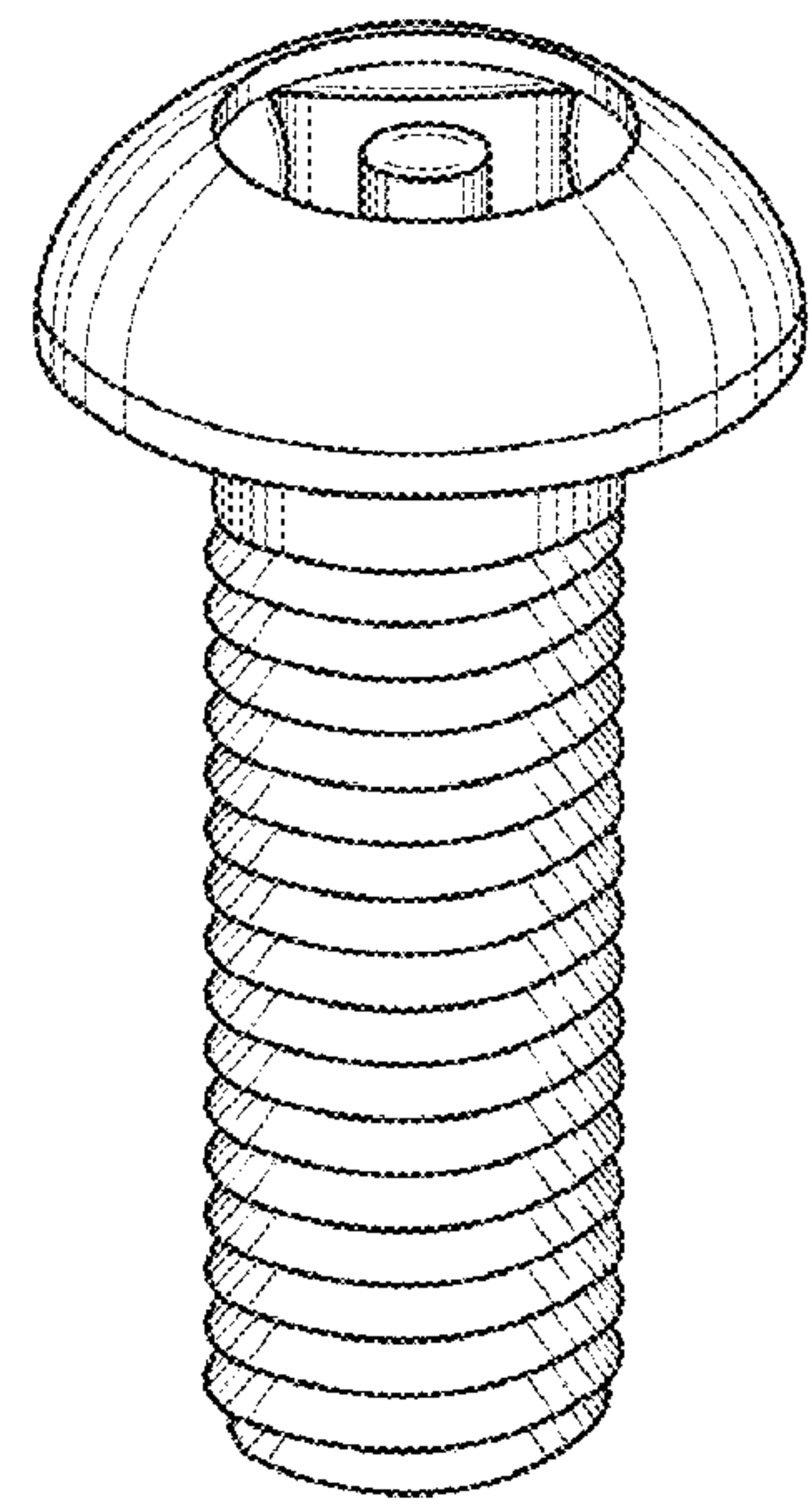
Primary Examiner — Sheryl Lane
Assistant Examiner — Ieisha N Price
(74) *Attorney, Agent, or Firm* — LegalForce RAPC Worldwide

(57) **CLAIM**
The ornamental design for a security screw, as shown and described.

DESCRIPTION

FIG. 1 is a front top perspective view of a security screw, showing our new design;
FIG. 2 is a front elevational view of thereof, with the rear elevational view, left side elevational view and right side elevational view being a mirror image of; and,
FIG. 3 is a top plan view of thereof.
The broken lines in the drawings illustrate portions of the security screw and form no part of the claimed design.

1 Claim, 3 Drawing Sheets



(56)

References Cited

U.S. PATENT DOCUMENTS

2017/0234352 A1* 8/2017 Nielson B25B 15/004
81/436

OTHER PUBLICATIONS

“Roby-Pin Security screws” by Loss Prevention Fasteners, Found Online on [Jan. 29, 2020] <https://www.losspreventionfasteners.com/wp-content/uploads/2019/11/Roby-Pin-High-Security-Screws.jpg>.

“Ultra 5 Lobe Pin Security Screws” by Loss Prevention Fasteners, Found Online on [Jan. 29, 2020] <https://www.losspreventionfasteners.com/wp-content/uploads/2007/10/10.100-Five-Lobe-Pin-HIGH-SECURE.jpg>.

“Self Tapping Security Socket Button Screws” by AccuScrews, Found Online on [Jan. 29, 2020] https://img.accu.co.uk/products/SSSBT-A2_xl.jpg.

“Multi Pin-Hex Security Screw Button Head” by J. C. Gupta & Sons, Found Online on [Jan. 29, 2020] <https://5.imimg.com/data5/CB/RG/MY-2448527/hexagonal-socket-500x500.jpg>.

“Star Drive With Pin Security Pan Head Self Drilling Screws” by Albany County Fasteners, Found Online on [Jan. 29, 2020] <https://www.albanycountyfasteners.com/mm5/graphics/00000001/star-tamper-proof-pan-head-self-drillers-410-stainless-steel-1-resize-min.jpg>.

“Pentaforce Self Tapping Screws” by Newcastle Hi-tensile Bolt, Found Online on [Jan. 29, 2020] <https://nhtb.com.au/libraries/images/Category-Product/security-screws-pentaforce-self-tapping-screws.jpg>.

* cited by examiner

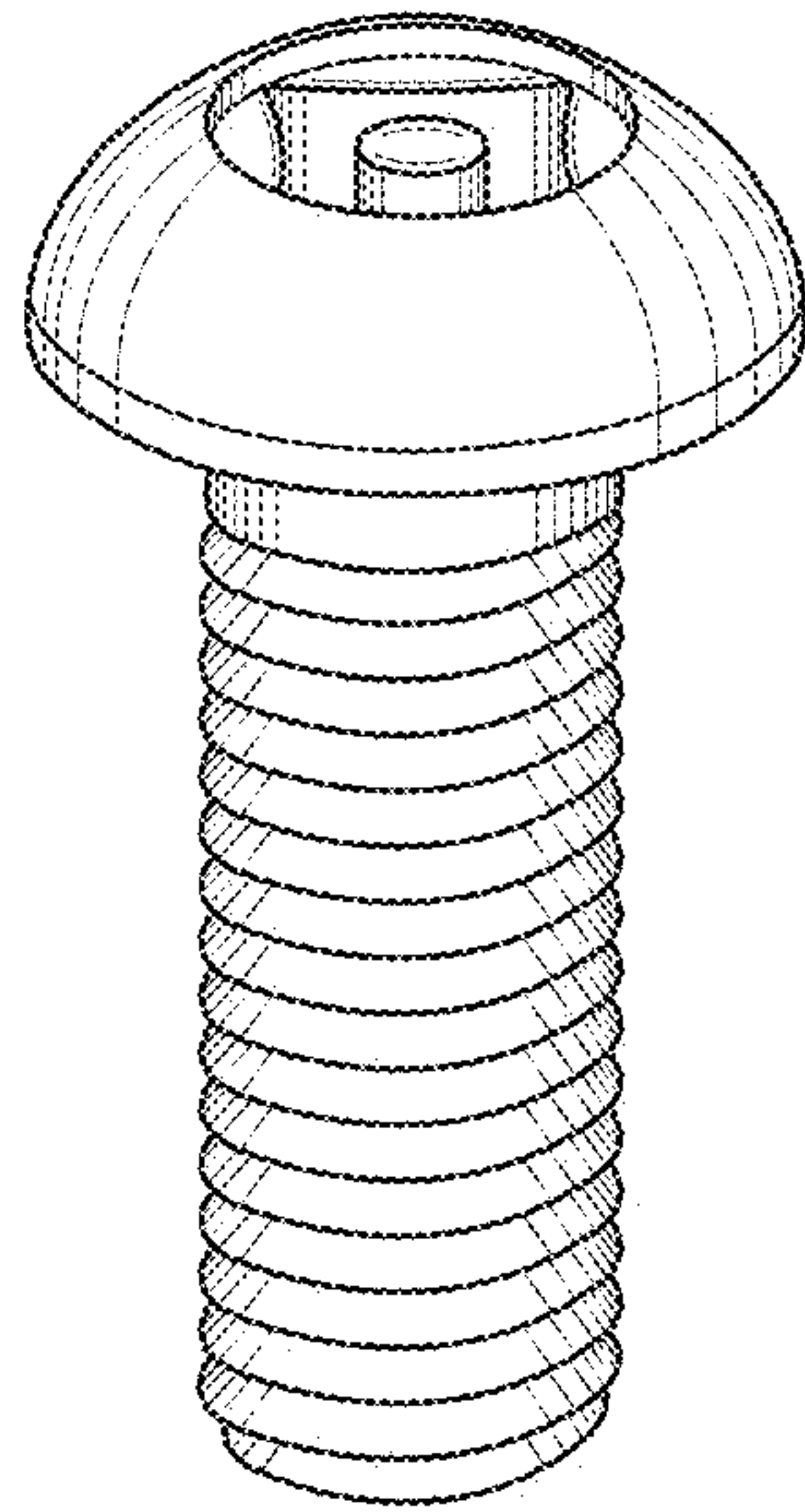


FIG. 1

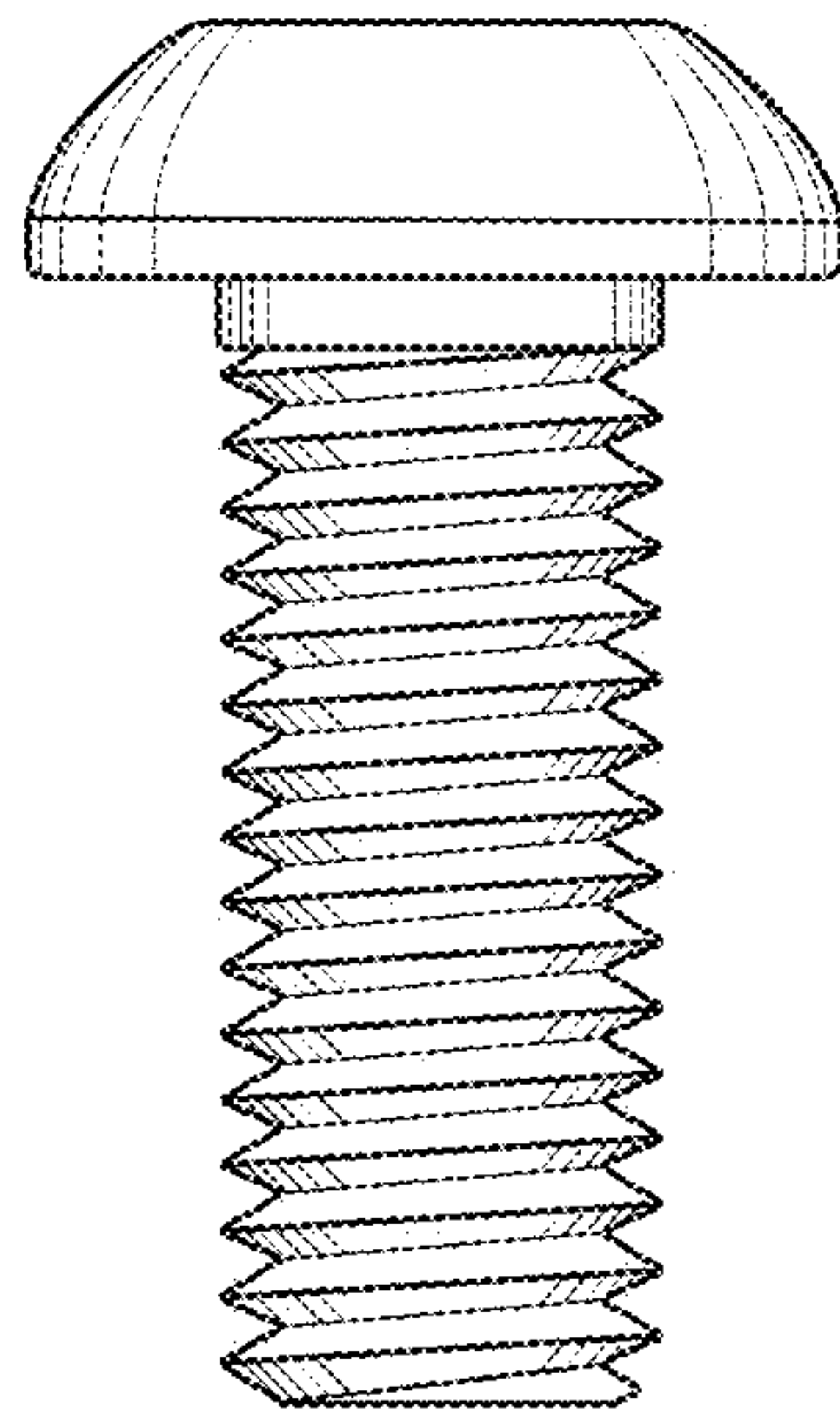


FIG. 2

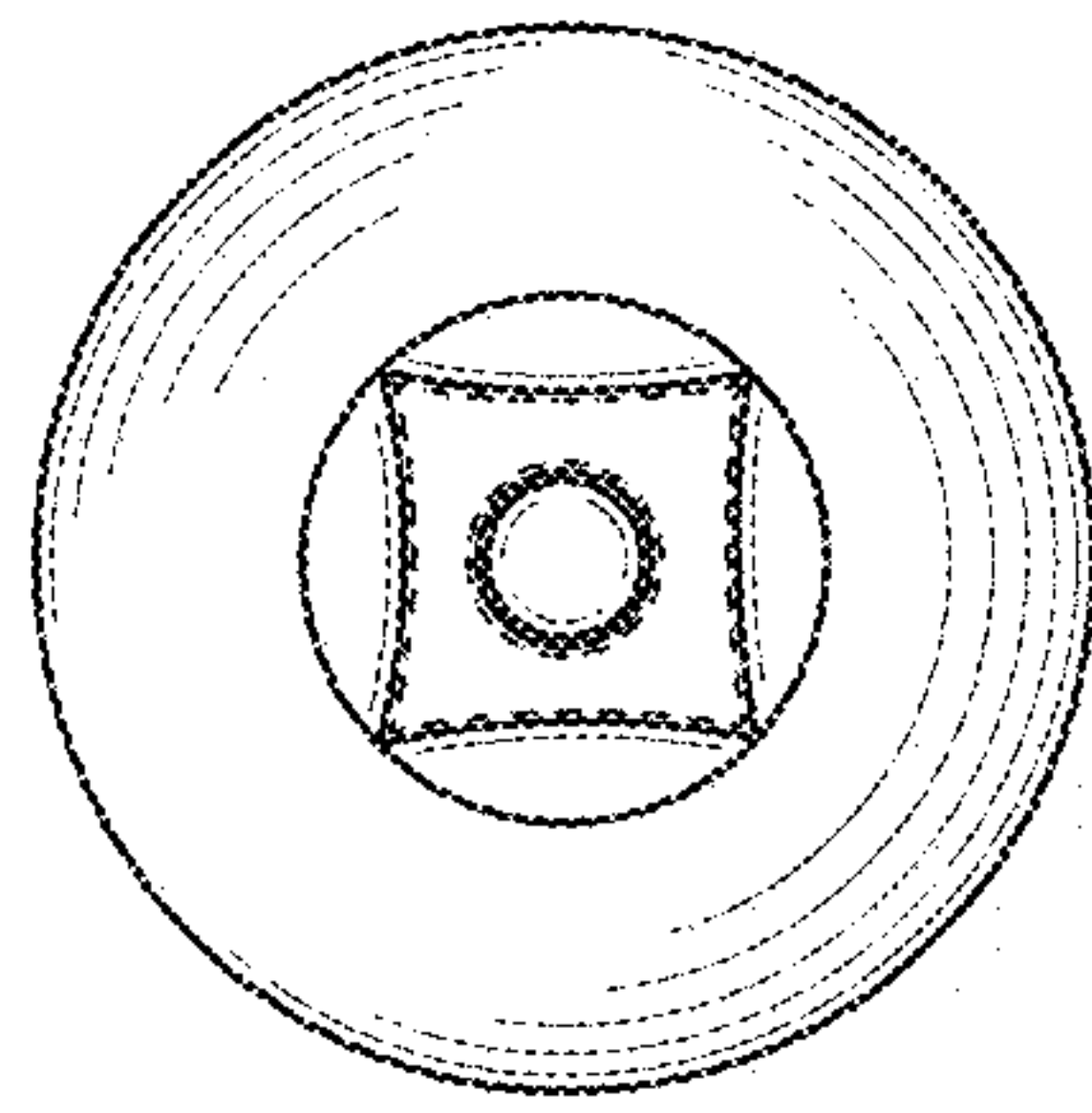


FIG. 3