



US00D957236S

(12) **United States Design Patent**
Zeng

(10) **Patent No.:** **US D957,236 S**
(45) **Date of Patent:** **** Jul. 12, 2022**

- (54) **PUNCHING BAG HANGER**
- (71) Applicant: **Xiaofang Zeng**, Dongguan (CN)
- (72) Inventor: **Xiaofang Zeng**, Dongguan (CN)
- (**) Term: **15 Years**
- (21) Appl. No.: **29/800,207**
- (22) Filed: **Jul. 20, 2021**
- (51) **LOC (13) Cl.** **08-11**
- (52) **U.S. Cl.**
USPC **D8/367; D8/373**
- (58) **Field of Classification Search**
USPC D8/360, 356, 354, 349, 373, 397;
D30/139; D11/218; 24/129 R; 254/390
See application file for complete search history.

D899,230 S *	10/2020	Tang	D8/367
D899,907 S *	10/2020	Tang	D8/367
D908,477 S *	1/2021	Liu	D8/367
D917,268 S	4/2021	Garcia		
D922,185 S *	6/2021	Liu	D8/367
D922,859 S *	6/2021	Kao	D8/367
D922,860 S *	6/2021	Kao	D8/367
D928,597 S *	8/2021	Nucci	D8/373
D937,665 S *	12/2021	Zhang	D8/367
D944,074 S *	2/2022	Schicker	D8/367
2015/0274061 A1 *	10/2015	Wilkinson	F16D 1/112 403/287
2018/0187713 A1 *	7/2018	Chmelar	B60P 7/0823

* cited by examiner

Primary Examiner — Cynthia R Underwood

(56) **References Cited**

U.S. PATENT DOCUMENTS

2,435,864 A *	2/1948	Adams	A63B 69/20 482/90
D327,000 S *	6/1992	Johnson, Jr.	D8/367
D599,647 S *	9/2009	Cubides	D8/373
D602,348 S *	10/2009	Berney	D8/382
D686,058 S *	7/2013	Paik	D8/356
D773,286 S *	12/2016	Moses	D8/363
D799,623 S *	10/2017	Pajonk-Taylor	D21/787
D801,161 S *	10/2017	Xiao	D8/367
D877,600 S *	3/2020	Chen	D8/373
D899,227 S *	10/2020	Tang	D8/367
D899,229 S *	10/2020	Tang	D8/367

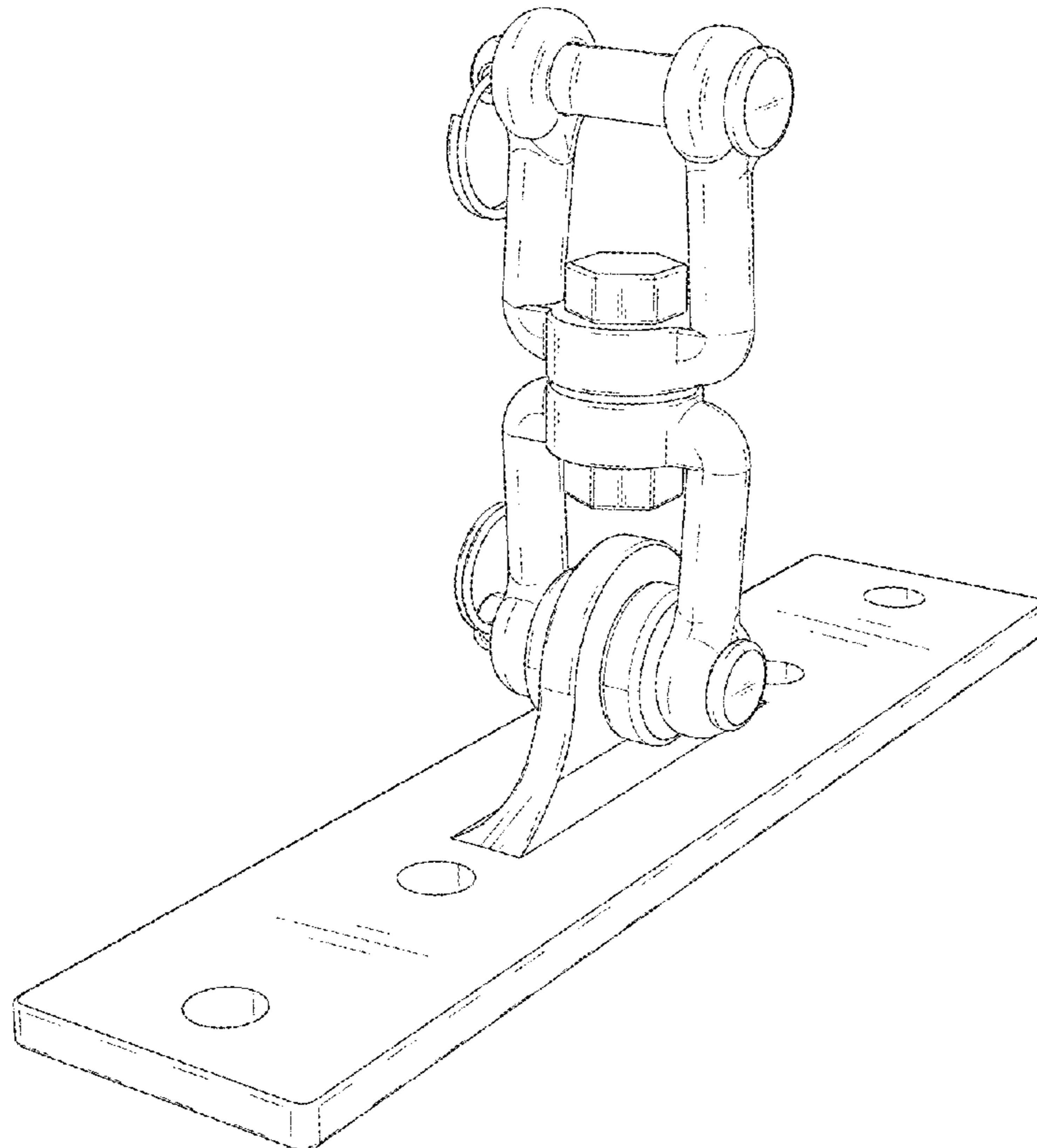
(57) **CLAIM**

The ornamental design for a punching bag hanger, as shown and described.

DESCRIPTION

FIG. 1 is a perspective view of a punching bag hanger showing my new design;
FIG. 2 is a front elevational view thereof;
FIG. 3 is a rear elevational view thereof;
FIG. 4 is a left side elevational view thereof;
FIG. 5 is a right side elevational view thereof;
FIG. 6 is a top plan view thereof; and,
FIG. 7 is a bottom plan view thereof.

1 Claim, 7 Drawing Sheets



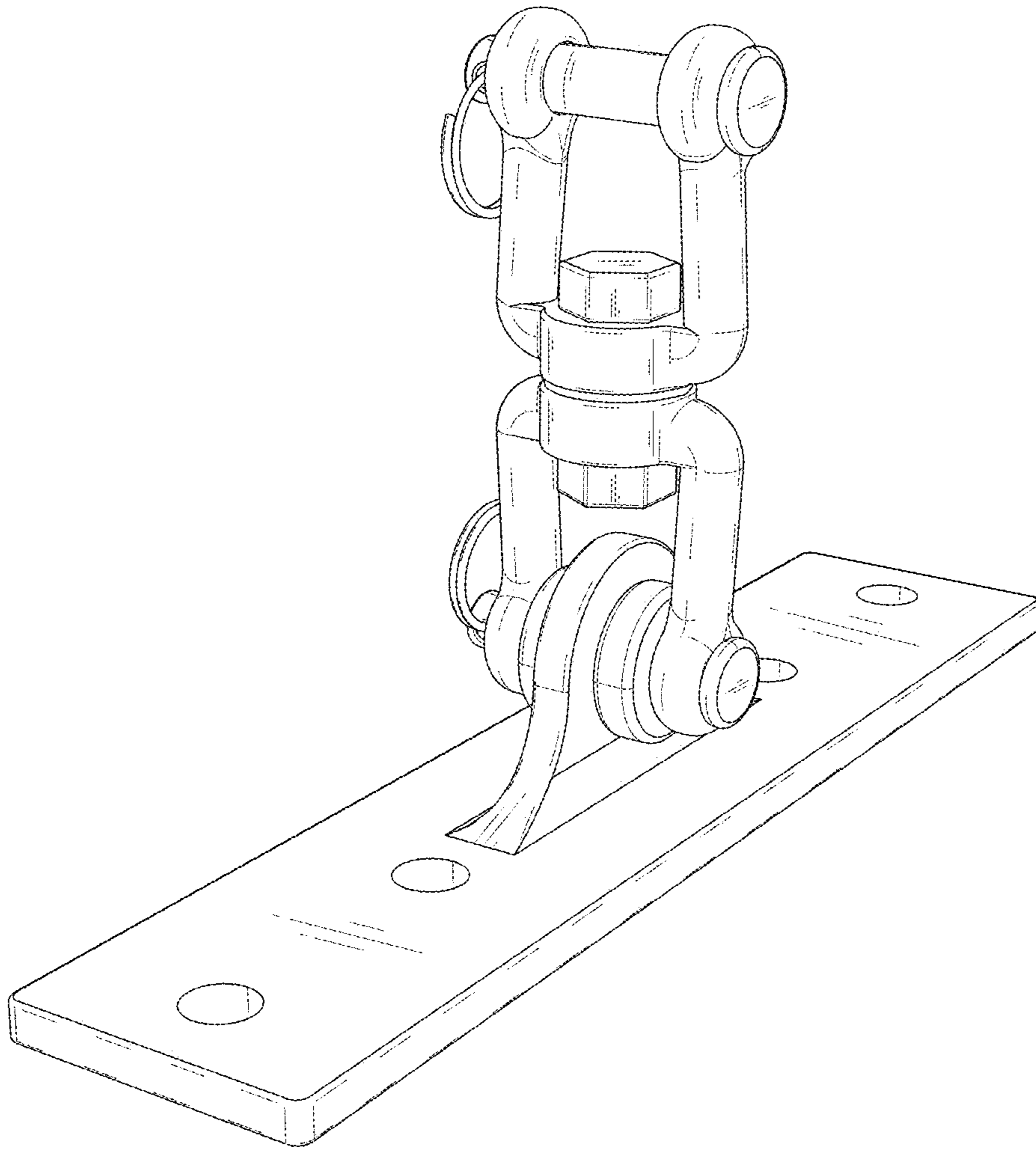


FIG. 1

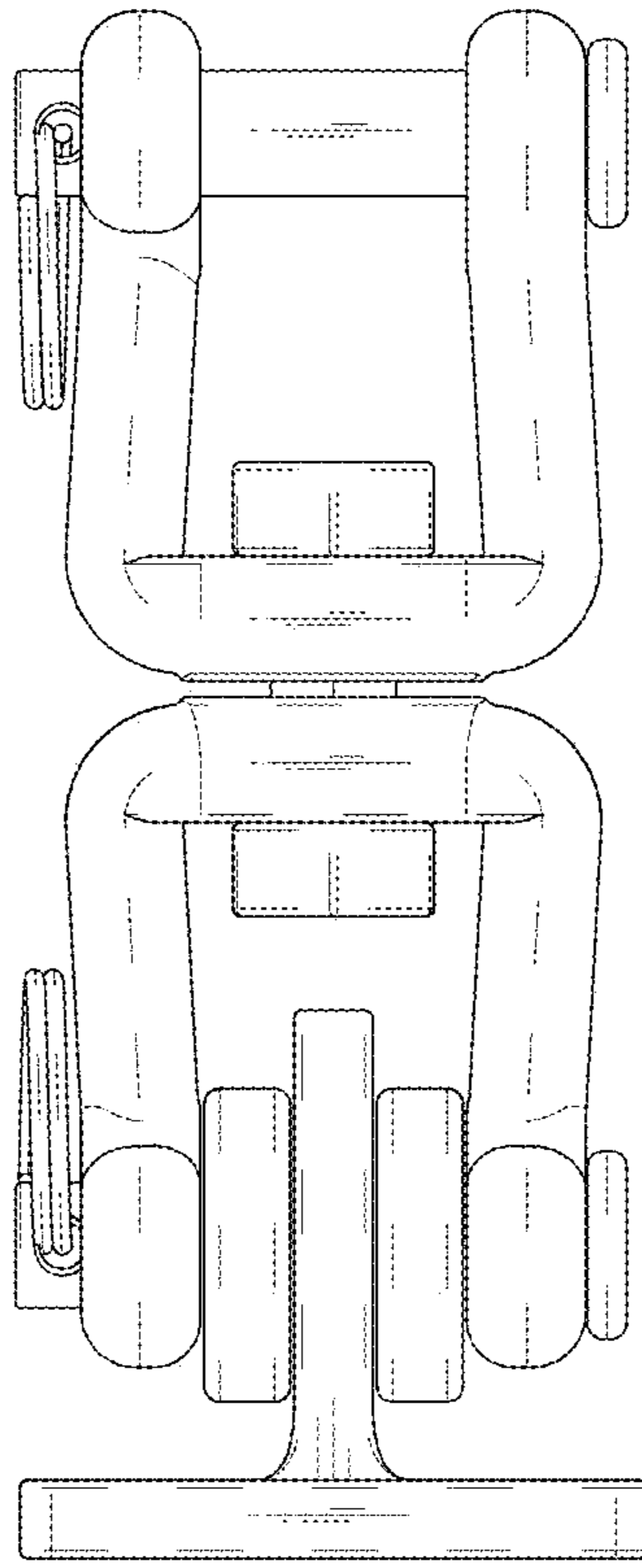


FIG. 2

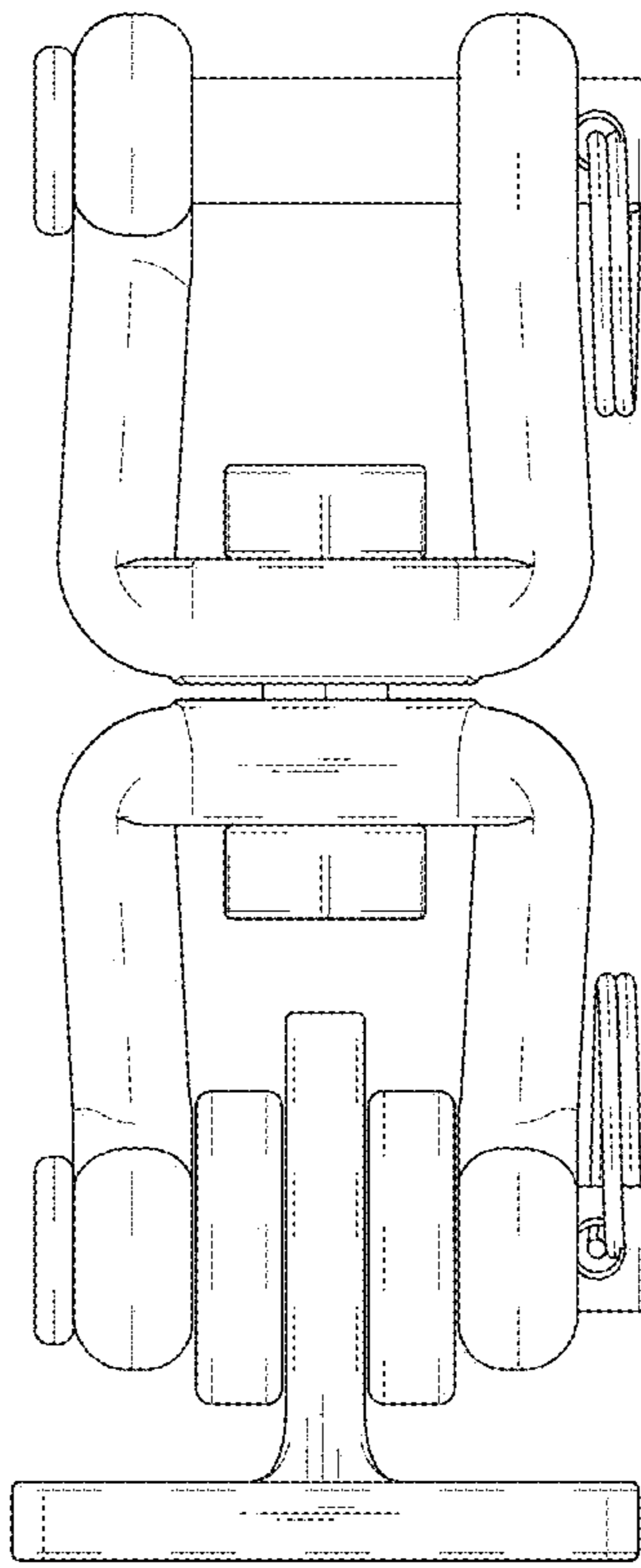


FIG. 3

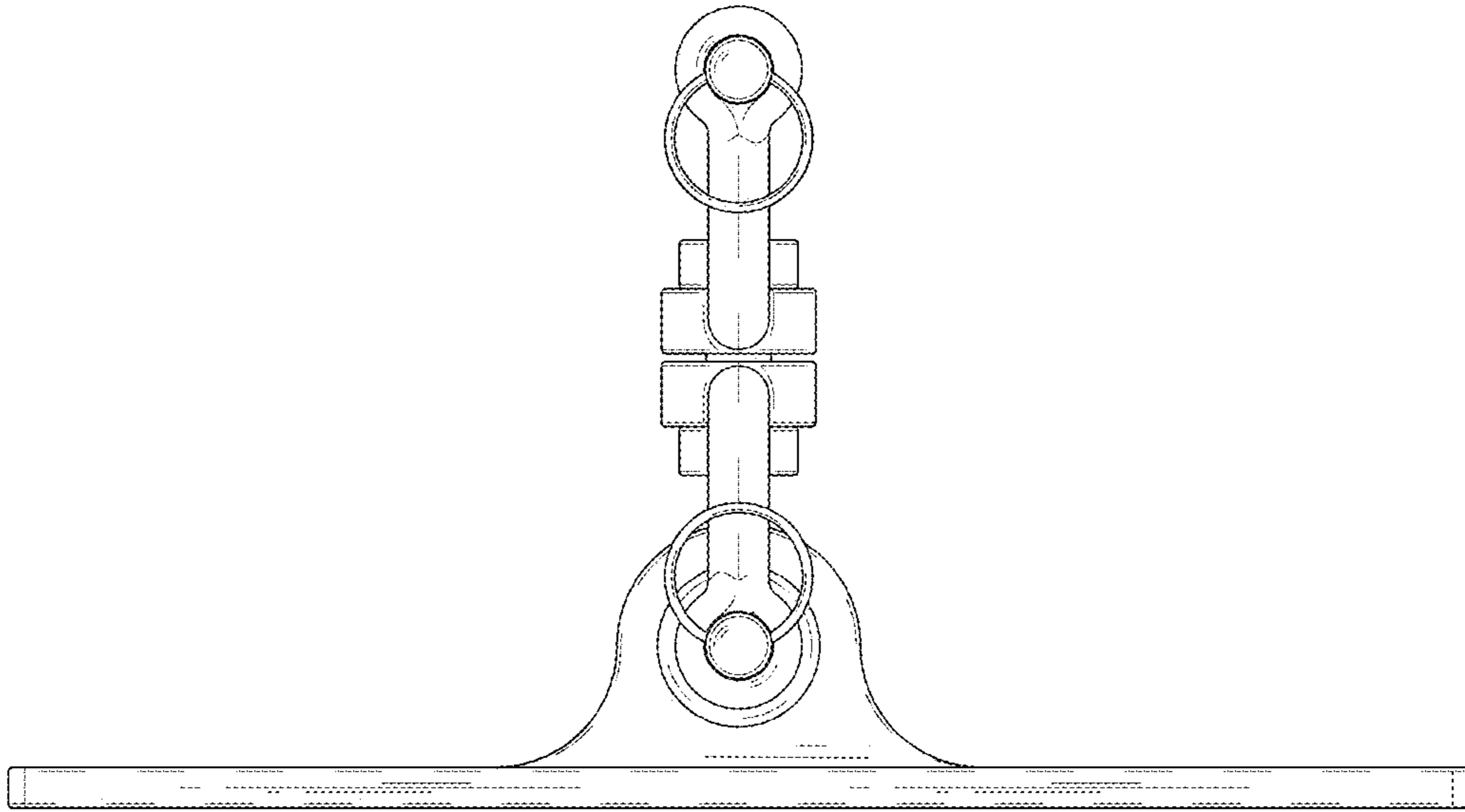


FIG. 4

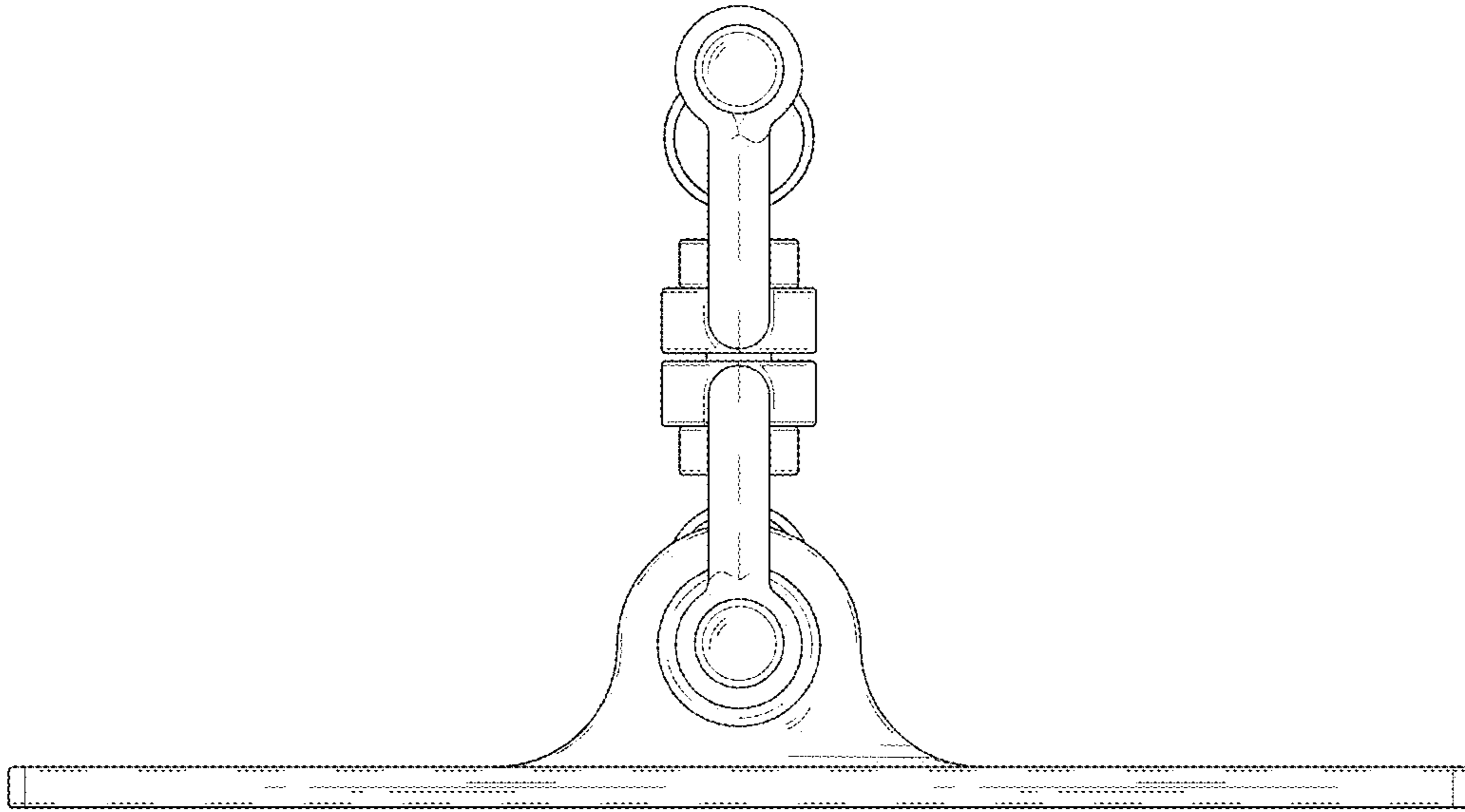


FIG. 5

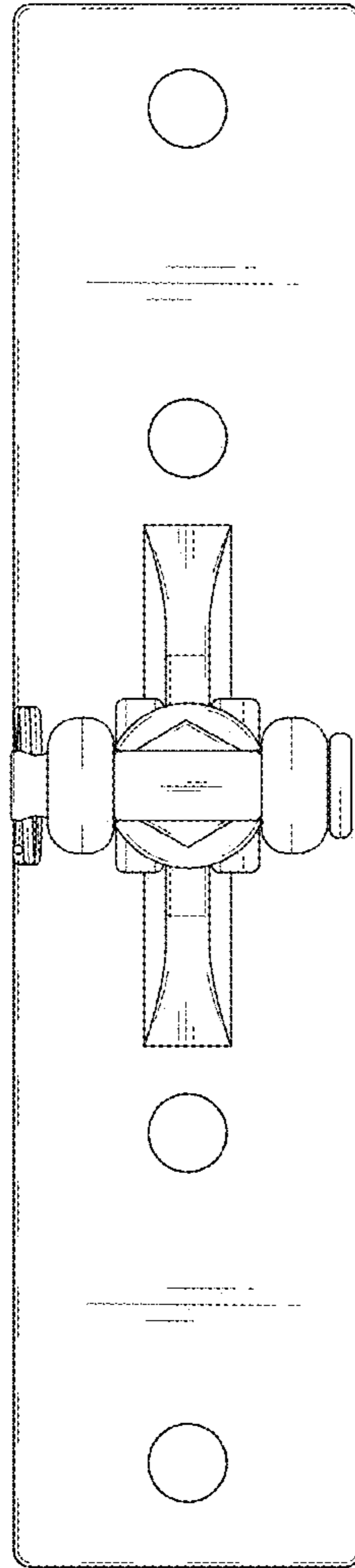


FIG. 6

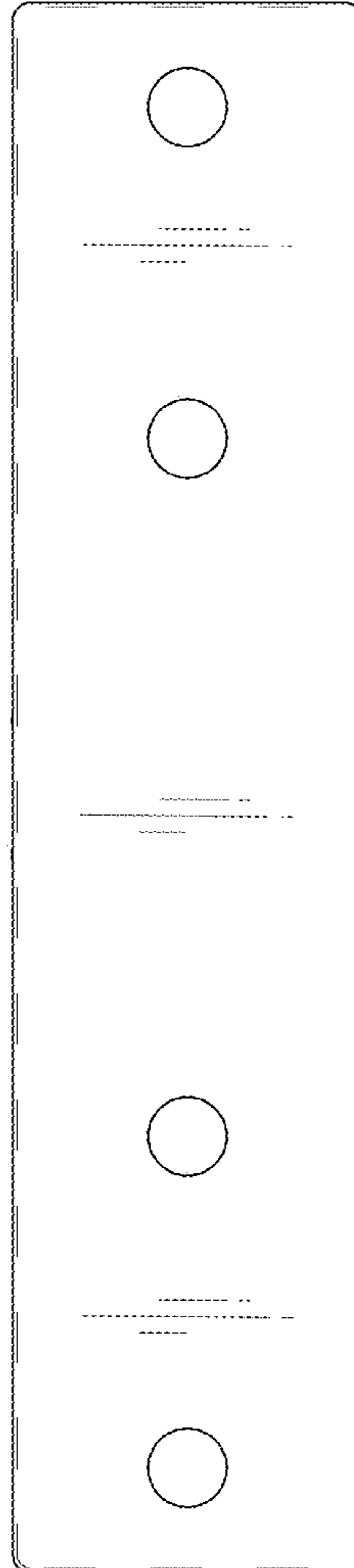


FIG. 7