



US00D957234S

(12) **United States Design Patent**
Limber

(10) **Patent No.:** **US D957,234 S**

(45) **Date of Patent:** **** Jul. 12, 2022**

(54) **SUCTION CUP WITH HOOK FOR SUPPORTING DECORATIVE WREATHS AND THE LIKE**

(71) Applicant: **Jamie Limber**, Phoenix, AZ (US)

(72) Inventor: **Jamie Limber**, Phoenix, AZ (US)

(73) Assignee: **Simple Living Solutions, LLC**,
Scottsdale, AZ (US)

(**) Term: **15 Years**

(21) Appl. No.: **29/747,906**

(22) Filed: **Aug. 26, 2020**

(51) **LOC (13) Cl.** **08-05**

(52) **U.S. Cl.**
USPC **D8/367**

(58) **Field of Classification Search**
USPC D8/367, 354, 349, 373; D6/323;
248/301, 302, 303, 304, 339, 205.5
CPC A47G 1/00; A47G 25/00
See application file for complete search history.

(56) **References Cited**

U.S. PATENT DOCUMENTS

1,560,029	A *	11/1925	Erickson	F16B 47/003 248/467
D130,418	S *	11/1941	Reynolds	248/205.5
2,679,998	A *	6/1954	Keller	F16B 47/003 D8/367
D174,366	S *	3/1955	Ziskind	248/205.5
5,078,356	A *	1/1992	Adams	F16B 47/00 248/309.3
D401,499	S *	11/1998	Barry	D8/367
D408,725	S *	4/1999	Adams	D8/373
D415,673	S *	10/1999	Hampshire	D8/367
D416,783	S *	11/1999	Hampshire	D8/373
6,131,865	A *	10/2000	Adams	A47G 1/17 248/205.5

6,308,923	B1 *	10/2001	Howard	F16B 47/00 248/205.8
6,550,735	B1 *	4/2003	Zheng	F16B 47/00 248/205.5
D480,625	S *	10/2003	Snell	D8/367
6,869,053	B2 *	3/2005	Adams, IV	A47K 1/09 248/363
7,066,434	B2 *	6/2006	Kwok	F16B 47/006 248/205.8
D552,458	S *	10/2007	Adams	D8/367
D600,536	S *	9/2009	Hager	D8/367
D608,624	S *	1/2010	Adams	D8/367
D621,694	S *	8/2010	Adams	D8/367

(Continued)

Primary Examiner — Cynthia R Underwood

(74) *Attorney, Agent, or Firm* — Michelle L. Gross, P.C.

(57) **CLAIM**

The ornamental design for a suction cup with hook for supporting decorative wreaths, as shown.

DESCRIPTION

FIG. 1 is a perspective view of the suction cup with hook for supporting decorative wreaths showing a top, a front and a right side of my new design;

FIG. 2 is a perspective view of the suction cup with hook for supporting decorative wreaths showing a bottom, a rear and a left side of my new design;

FIG. 3 is the suction cup with hook for supporting decorative wreaths showing the front view thereof;

FIG. 4 is the suction cup with hook for supporting decorative wreaths showing the rear view thereof;

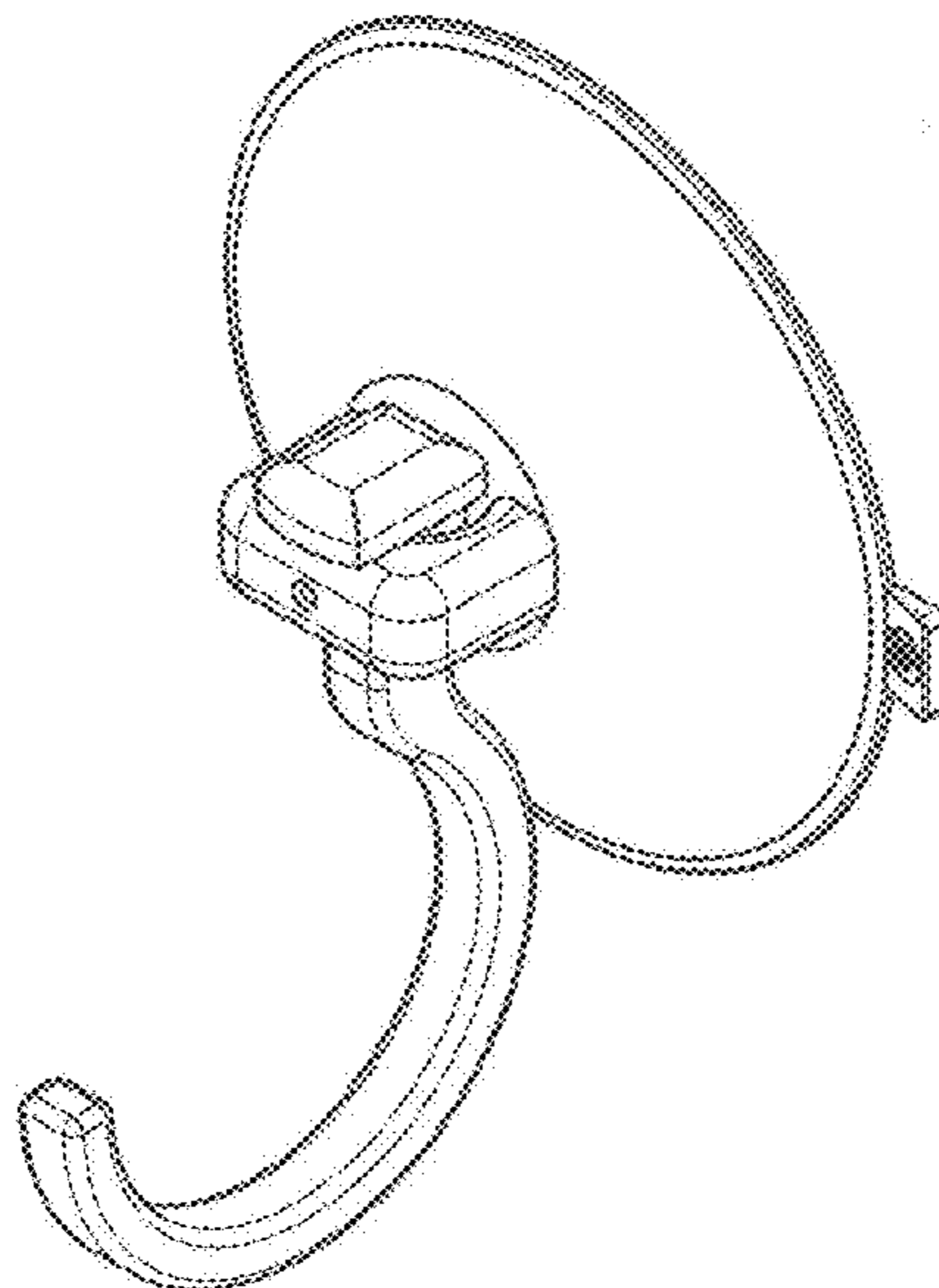
FIG. 5 is the suction cup with hook for supporting decorative wreaths showing the right-side view thereof;

FIG. 6 is the suction cup with hook for supporting decorative wreaths showing the left-side view thereof;

FIG. 7 is the suction cup with hook for supporting decorative wreaths showing the top view thereof; and,

FIG. 8 is the suction cup with hook for supporting decorative wreaths showing the bottom view thereof.

1 Claim, 4 Drawing Sheets



(56)

References Cited

U.S. PATENT DOCUMENTS

D642,897 S * 8/2011 Berkowitz D8/367
D659,519 S * 5/2012 Berkowitz D8/367
8,480,045 B2 * 7/2013 Adams, IV F16B 45/00
248/205.5
D766,759 S * 9/2016 Lenz D10/74
9,936,828 B1 * 4/2018 Adams, IV A47G 1/17
D873,121 S * 1/2020 Mieldon D8/367
D880,990 S * 4/2020 Liu D8/367
D885,164 S * 5/2020 Frydenger D8/349
D889,162 S * 7/2020 Elliott D6/526
D899,224 S * 10/2020 Elliott D8/354
D923,460 S * 6/2021 McNaughton D8/354
D931,091 S * 9/2021 Blakely D8/373
D948,997 S * 4/2022 Wang D8/367
2003/0189147 A1 * 10/2003 Immerman A47G 25/0614
248/302
2003/0201369 A1 * 10/2003 Dretzka F16B 47/00
248/206.3

* cited by examiner

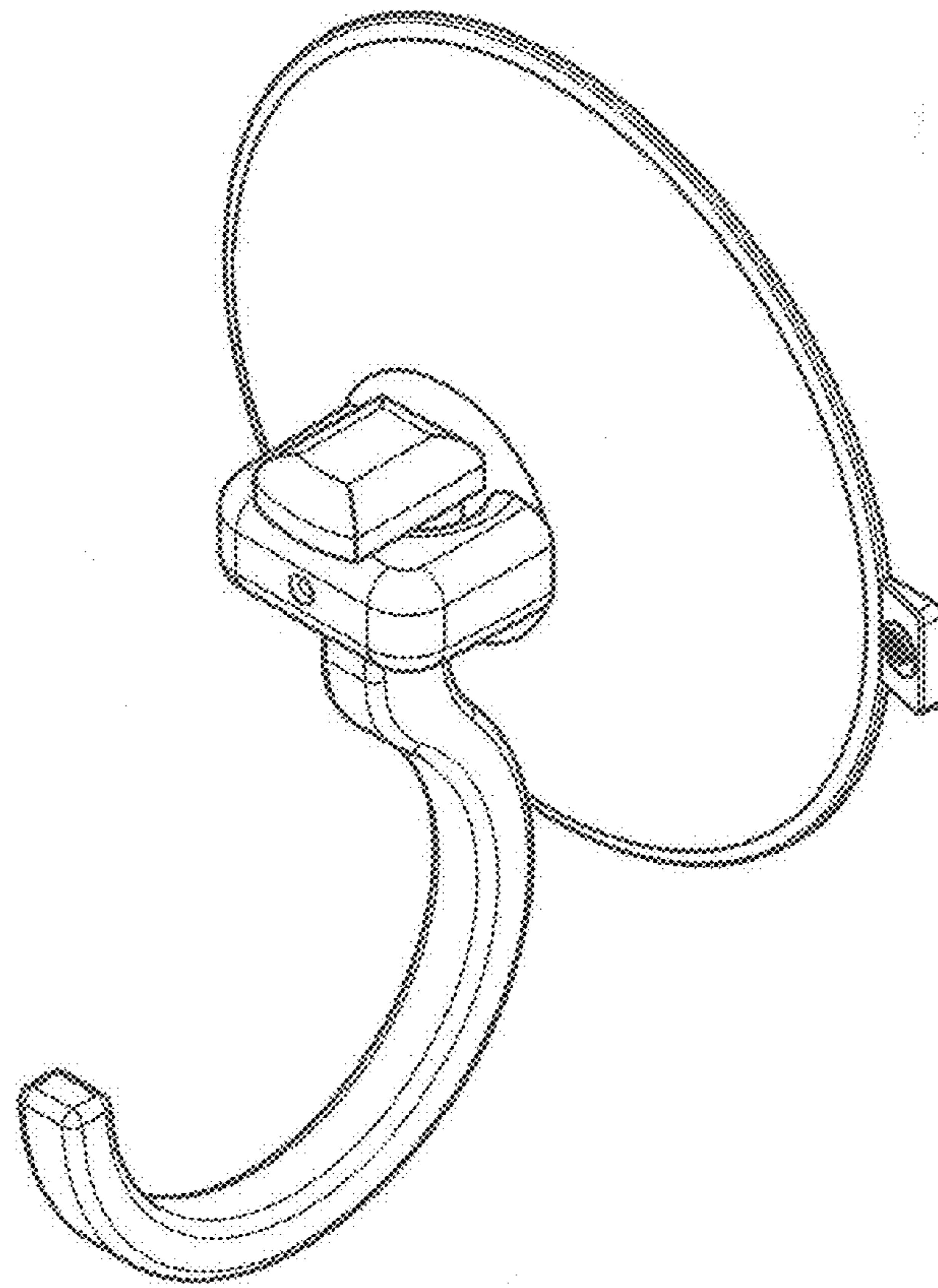


FIG 1

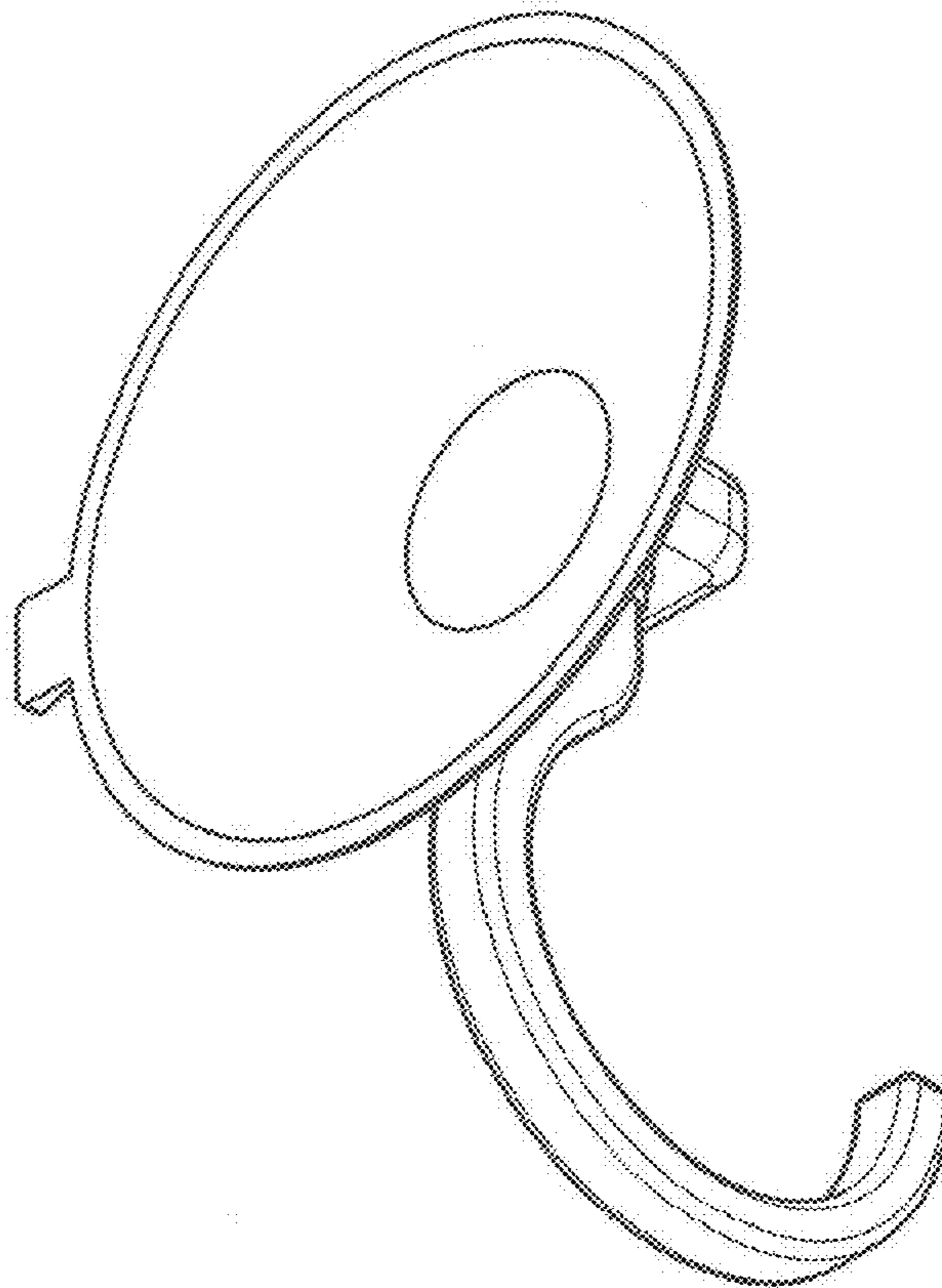


FIG 2

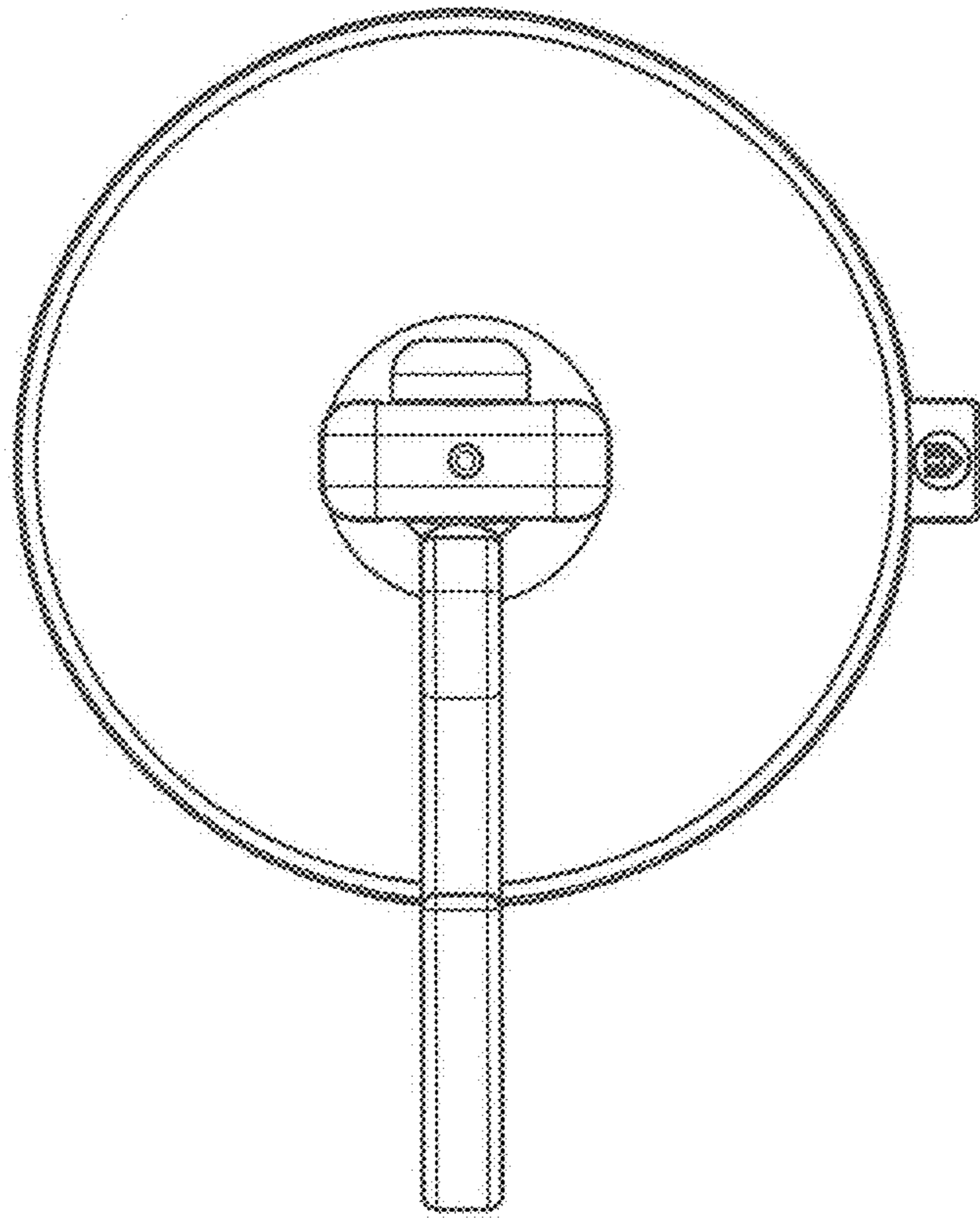


FIG 3

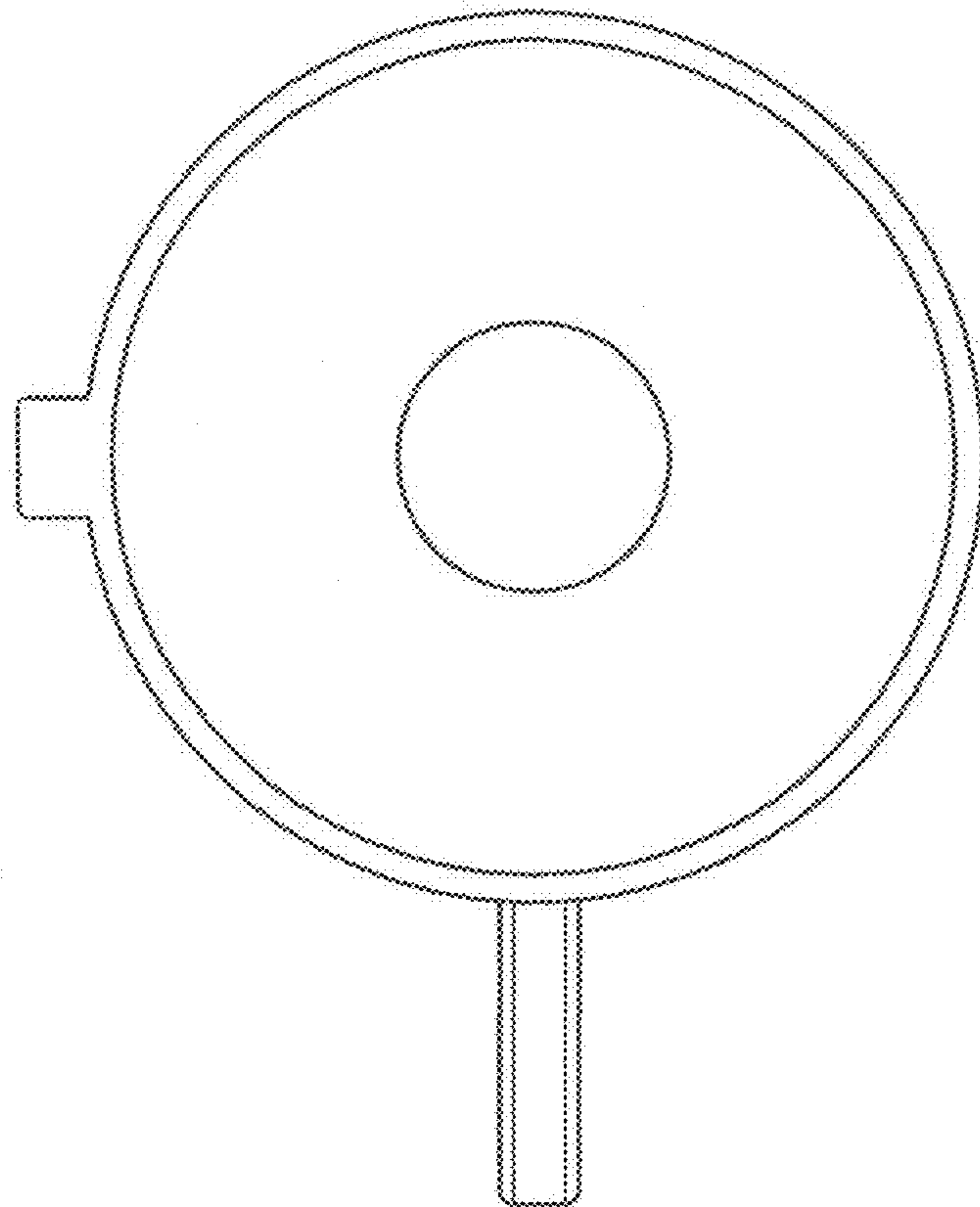


FIG 4

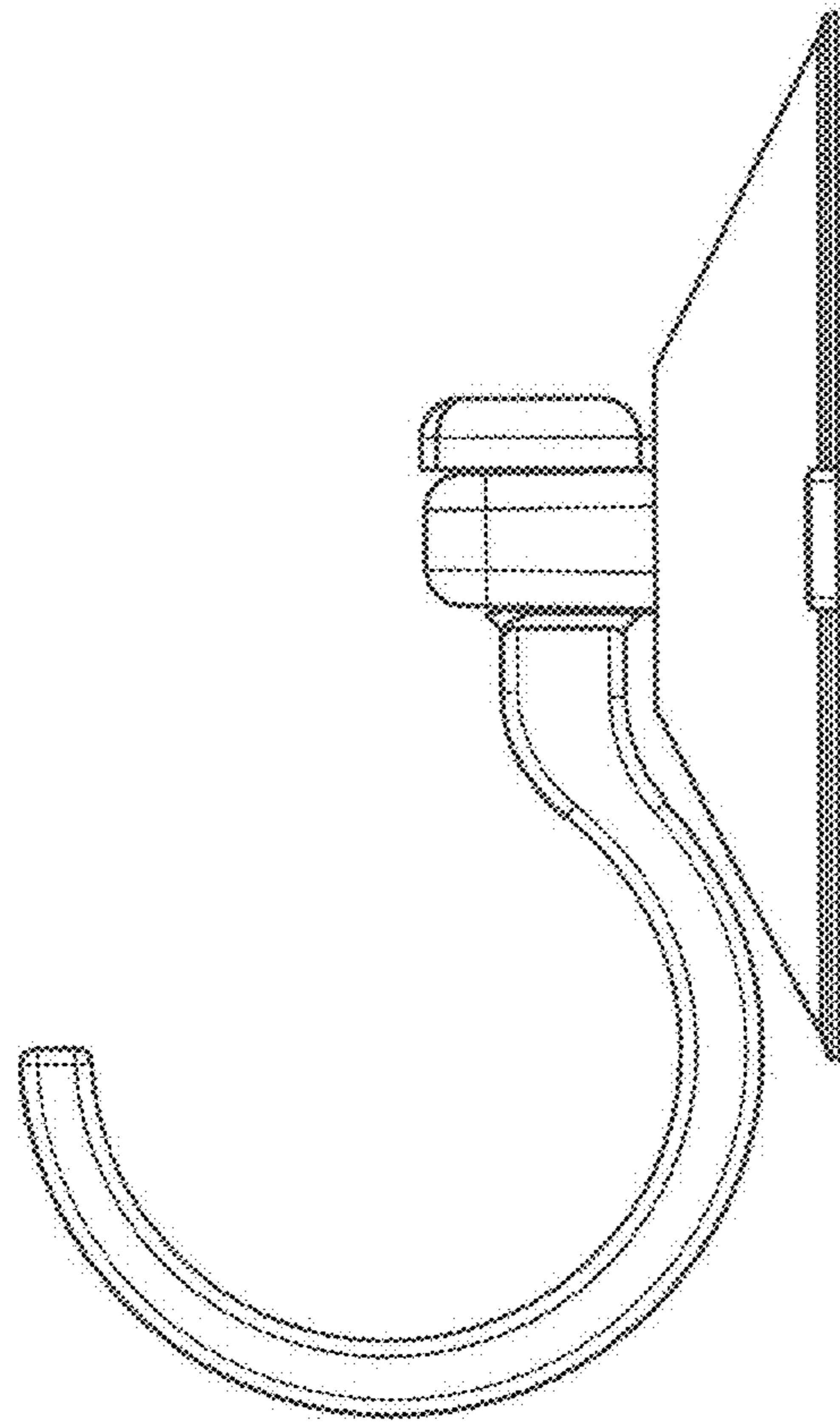


FIG 5

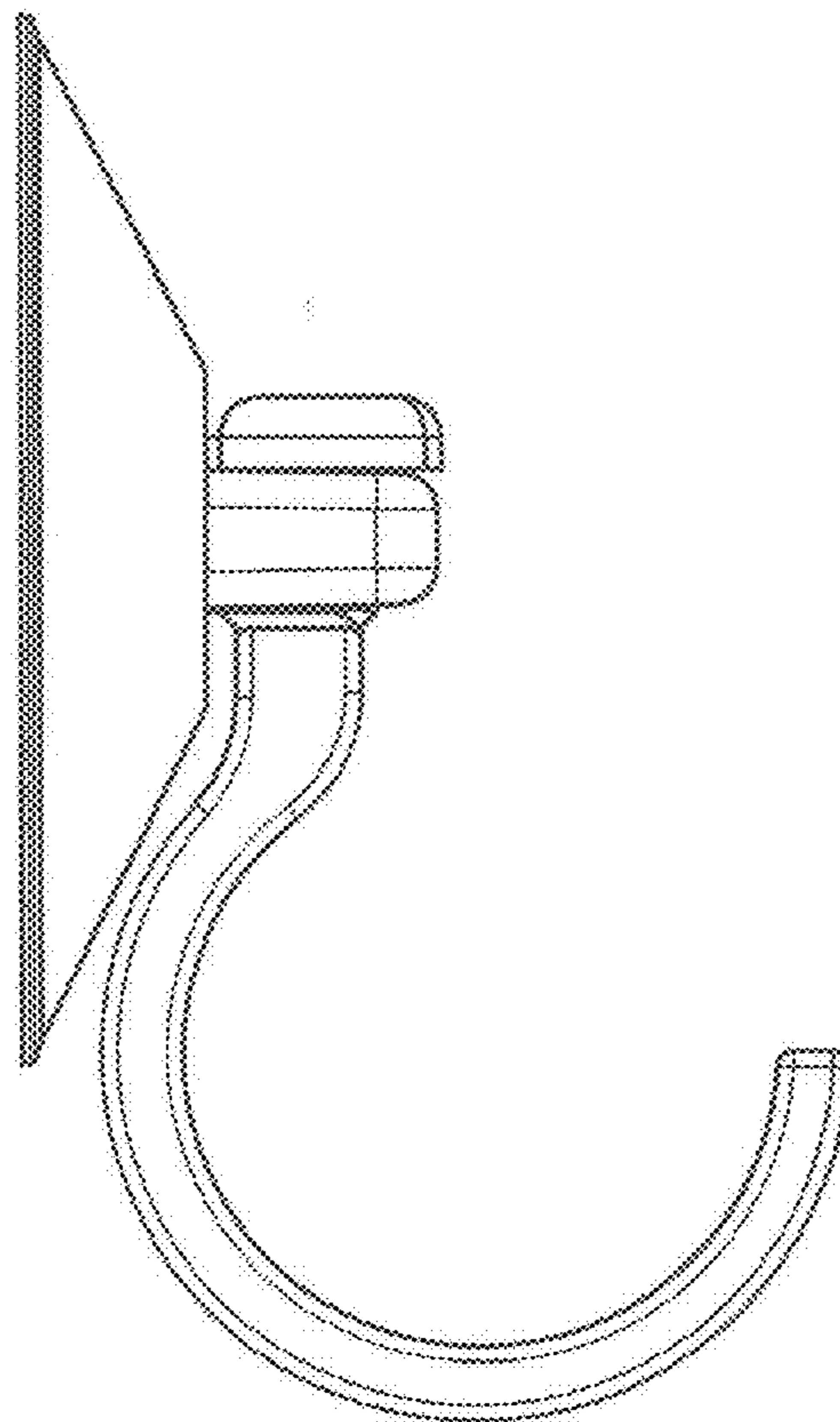


FIG 6

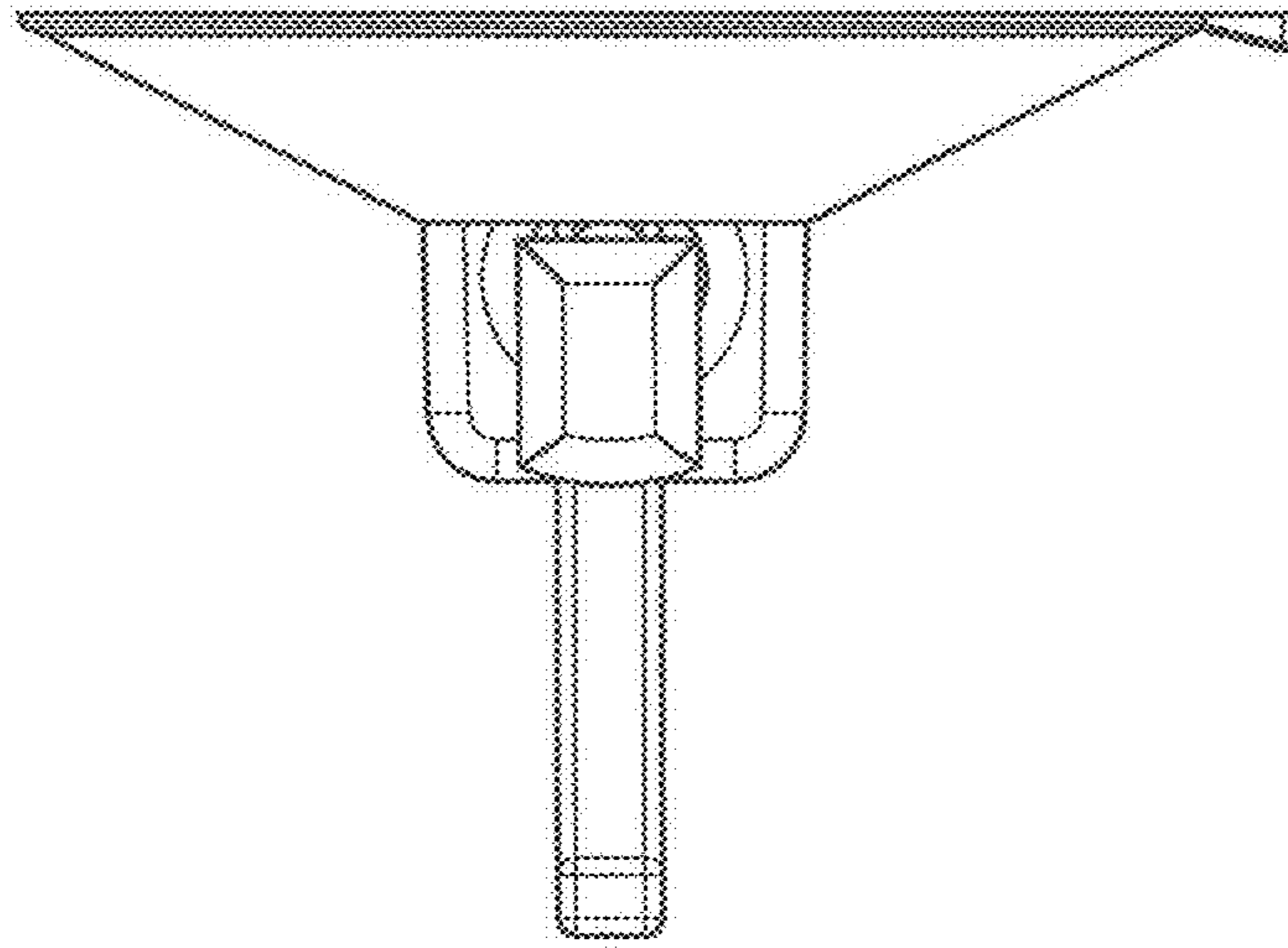


FIG 7

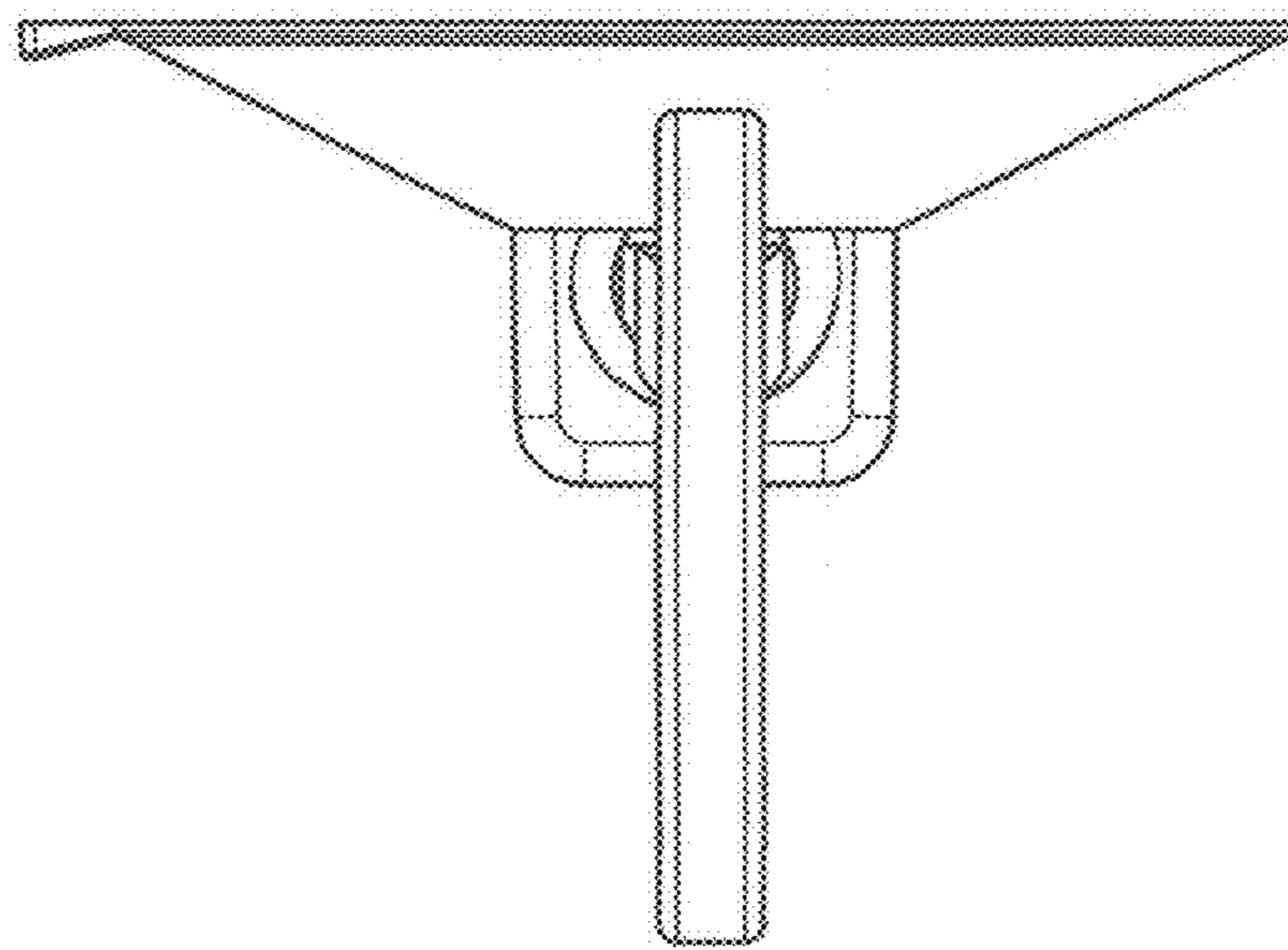


FIG 8