



US00D957233S

(12) **United States Design Patent**
Yui

(10) **Patent No.:** **US D957,233 S**
(45) **Date of Patent:** **** Jul. 12, 2022**

(54) **REEL FOR METAL WIRE**
(71) Applicant: **TOKUSEN KOGYO CO., LTD.**,
Hyogo (JP)
(72) Inventor: **Kiyoshi Yui**, Ono (JP)
(**) Term: **15 Years**

D628,466 S * 12/2010 Taatjes D8/358
7,891,599 B2 * 2/2011 Kishimoto B65H 75/285
242/586.6
D705,643 S * 5/2014 Siboni D8/358
D850,242 S * 6/2019 Gubbins D8/358
D891,239 S * 7/2020 Goldstein D8/395
D949,677 S * 4/2022 Ruberto D8/395
2018/0118503 A1 * 5/2018 Grillet B65H 54/343
2021/0371230 A1 * 12/2021 Yui B21C 47/26

(21) Appl. No.: **35/511,074**

FOREIGN PATENT DOCUMENTS

(22) Filed: **Jun. 30, 2020**

JP 10245160 A * 9/1998 B65H 65/00
JP D1676954 * 1/2021
WO WO-2007007785 A1 * 1/2007 B65H 75/285

(80) **Hague Agreement Data**

Int. Filing Date: **Jun. 30, 2020**
Int. Reg. No.: **DM/209958**
Int. Reg. Date: **Jun. 30, 2020**
Int. Reg. Pub. Date: **Jan. 1, 2021**

* cited by examiner

Primary Examiner — Deanna L Pratt

(51) **LOC (13) Cl.** **08-99**

(57) **CLAIM**

(52) **U.S. Cl.**
USPC **D8/358; D8/395**

The ornamental design for a reel for metal wire, as shown and described.

(58) **Field of Classification Search**
USPC D8/358, 383, 395, 499, 371, 356, 360.1;
D15/78, 122, 138, 140, 199

DESCRIPTION

CPC B65H 65/005
See application file for complete search history.

- 1.1 : Perspective view 1
- 1.2 : Perspective view 2
- 1.3 : Partial enlarged perspective view of 1.2
- 1.4 : Front
- 1.5 : Back
- 1.6 : Top
- 1.7 : Bottom
- 1.8 : Left
- 1.9 : Right

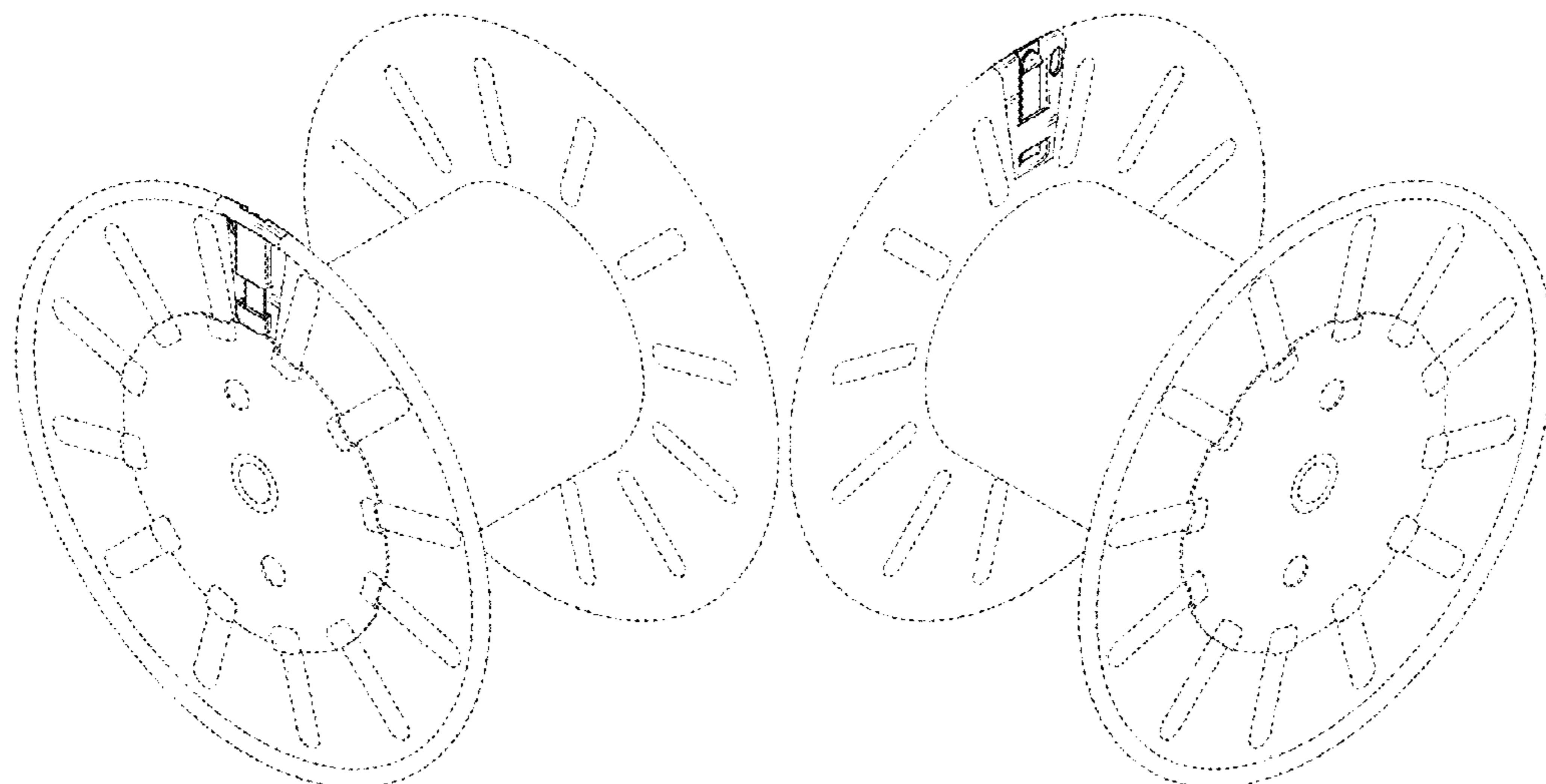
(56) **References Cited**

U.S. PATENT DOCUMENTS

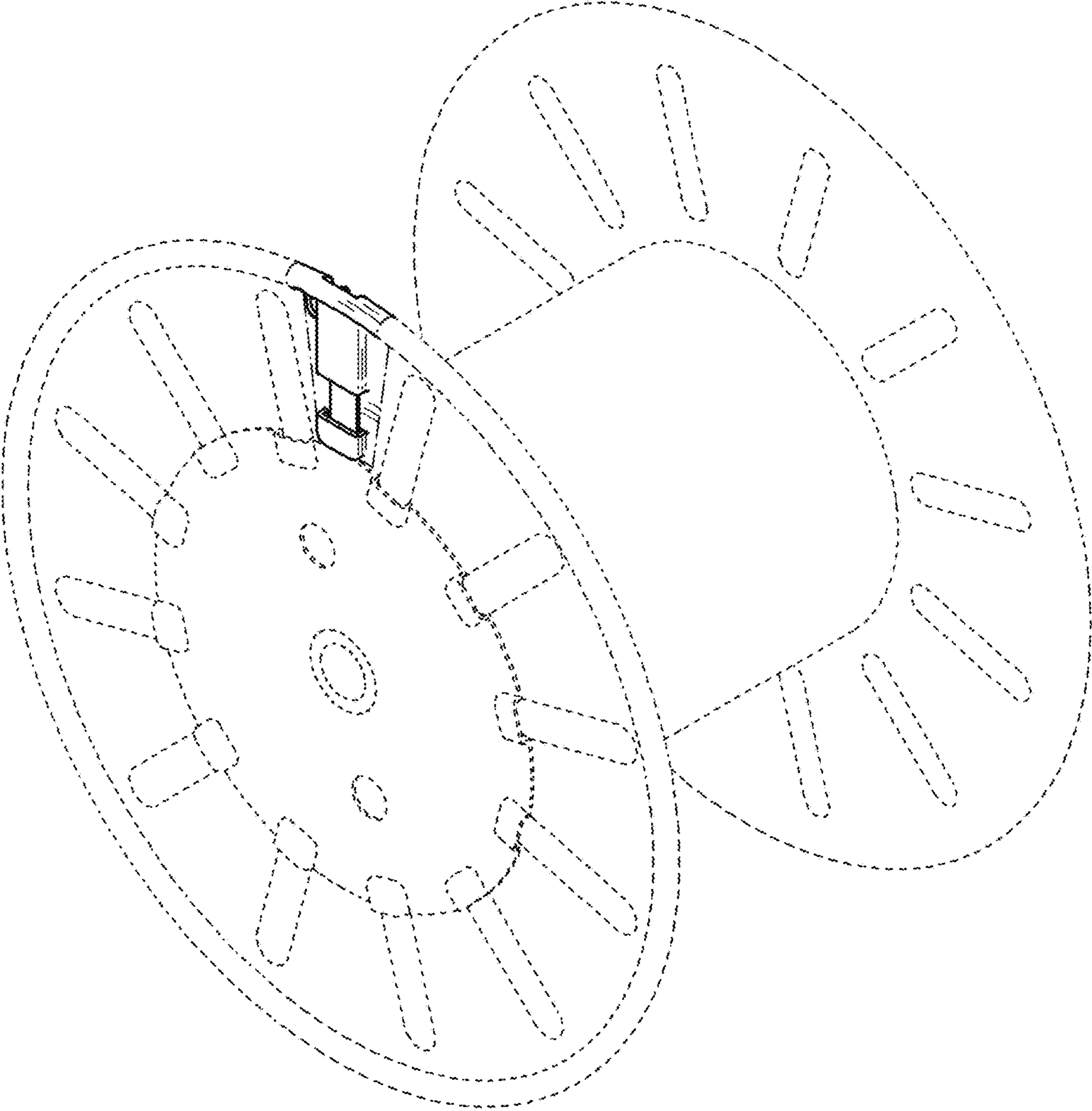
5,425,509 A * 6/1995 Van Severen B65H 65/005
242/475.7
5,549,257 A * 8/1996 Sanda B65H 75/28
242/580
5,603,469 A * 2/1997 Stocchi F16B 2/248
242/580
D399,857 S * 10/1998 Kanemichi D15/138
5,901,920 A * 5/1999 Takahashi B65H 75/28
242/125.3
5,931,408 A * 8/1999 Ishii B65H 75/28
242/125.3
7,740,199 B2 * 6/2010 Aikoh B65H 75/28
242/580
D625,172 S * 10/2010 Pauwels D8/358

The thin lines in the representations represent contours only and do not illustrate an ornamentation or decoration on the surface of the product; the parts shown by means of broken lines in the reproductions of design 1 are not part of the claimed design; the dotted-dashed lines in the reproductions of design 1 show only the boundary between the part of the claimed design and the other part.

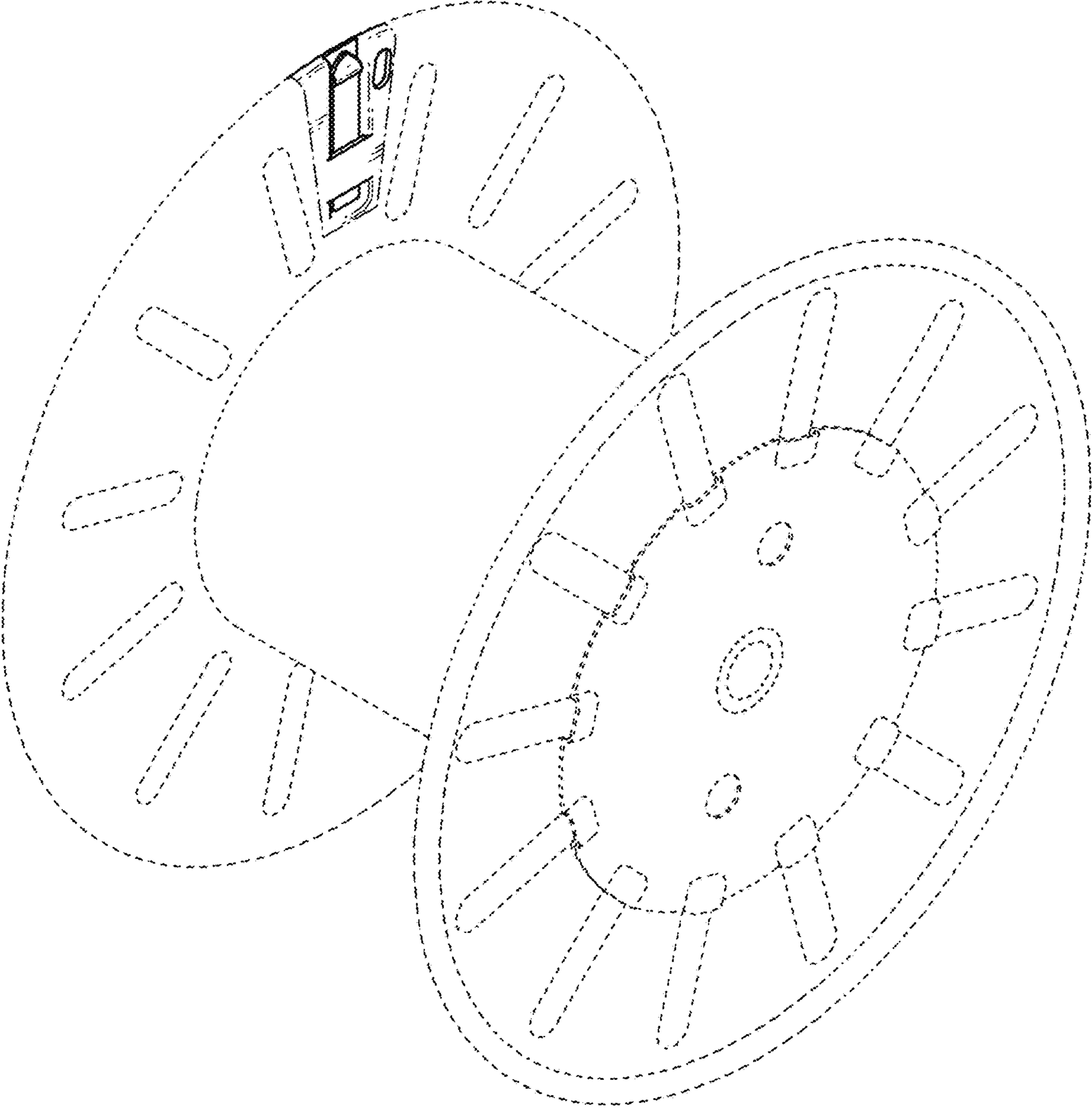
1 Claim, 9 Drawing Sheets



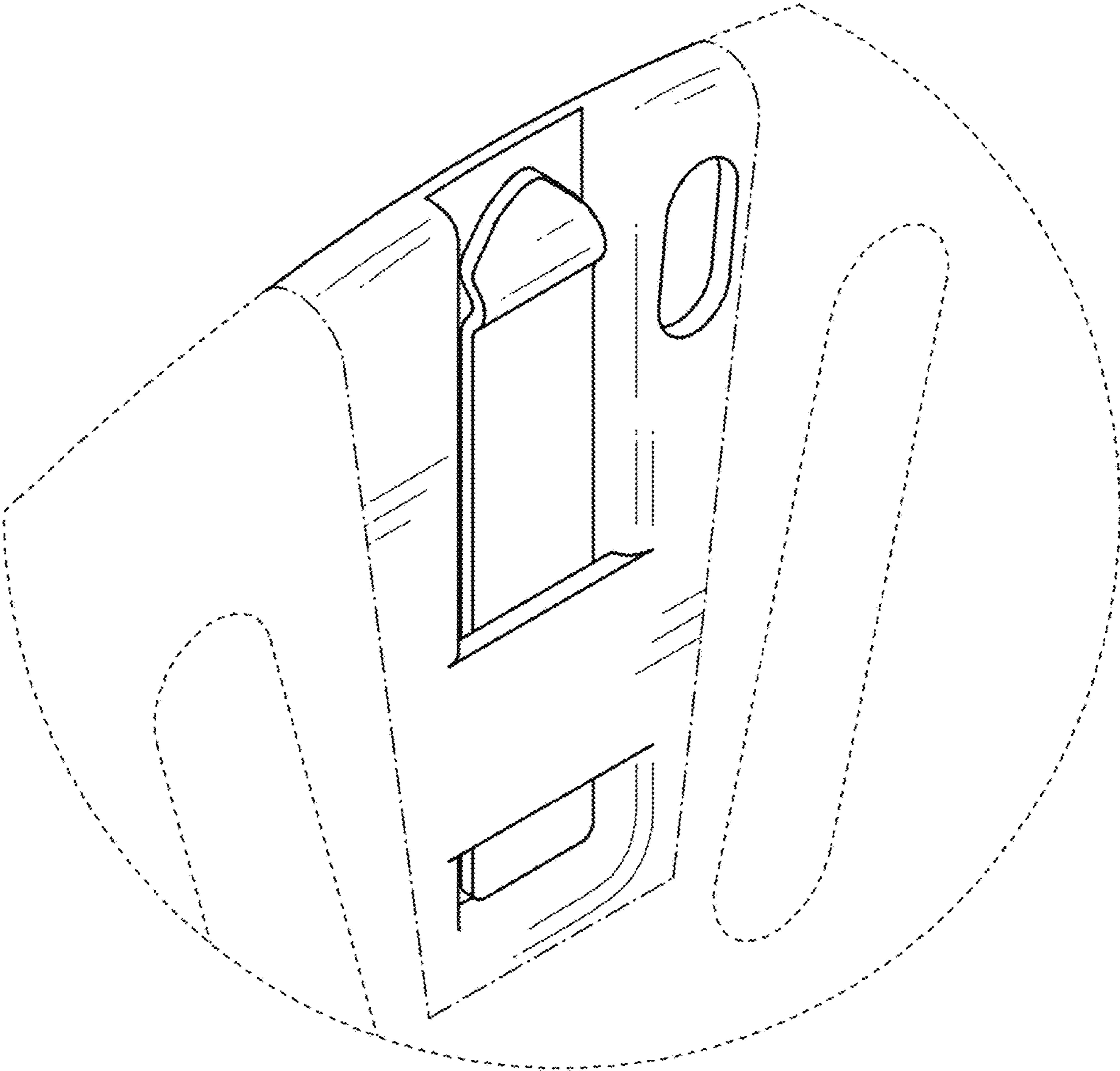
1.1



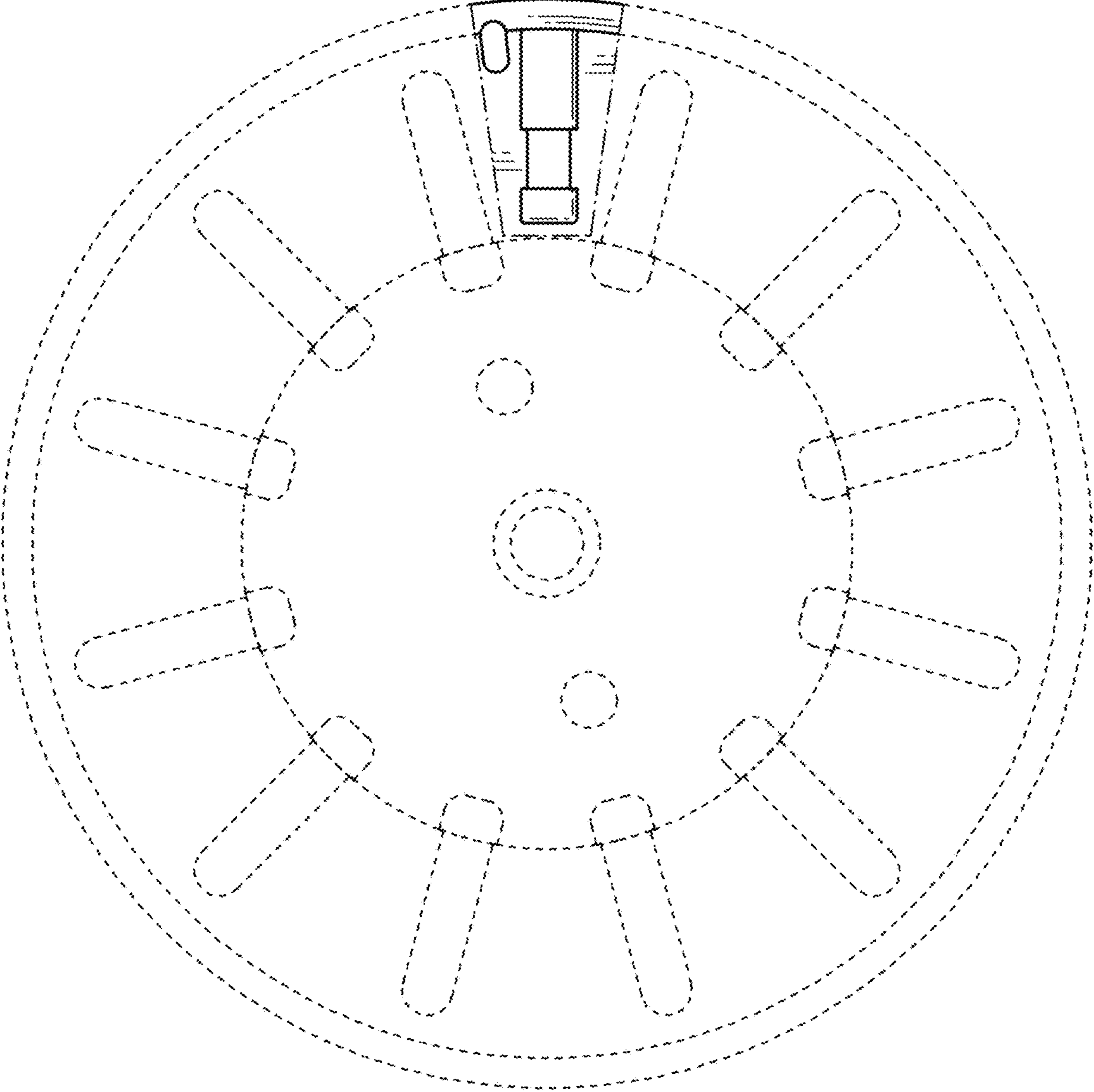
1.2



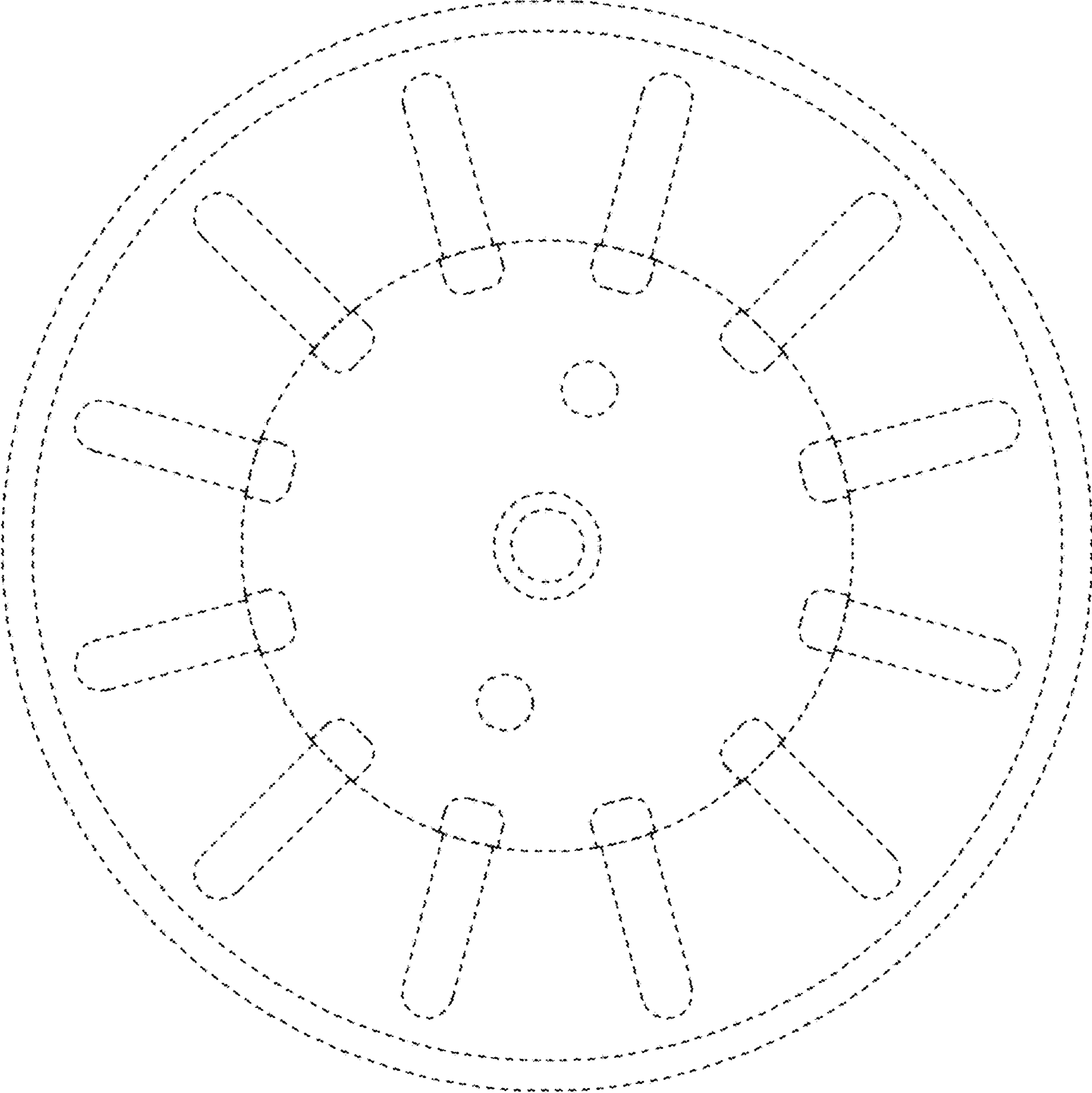
1.3



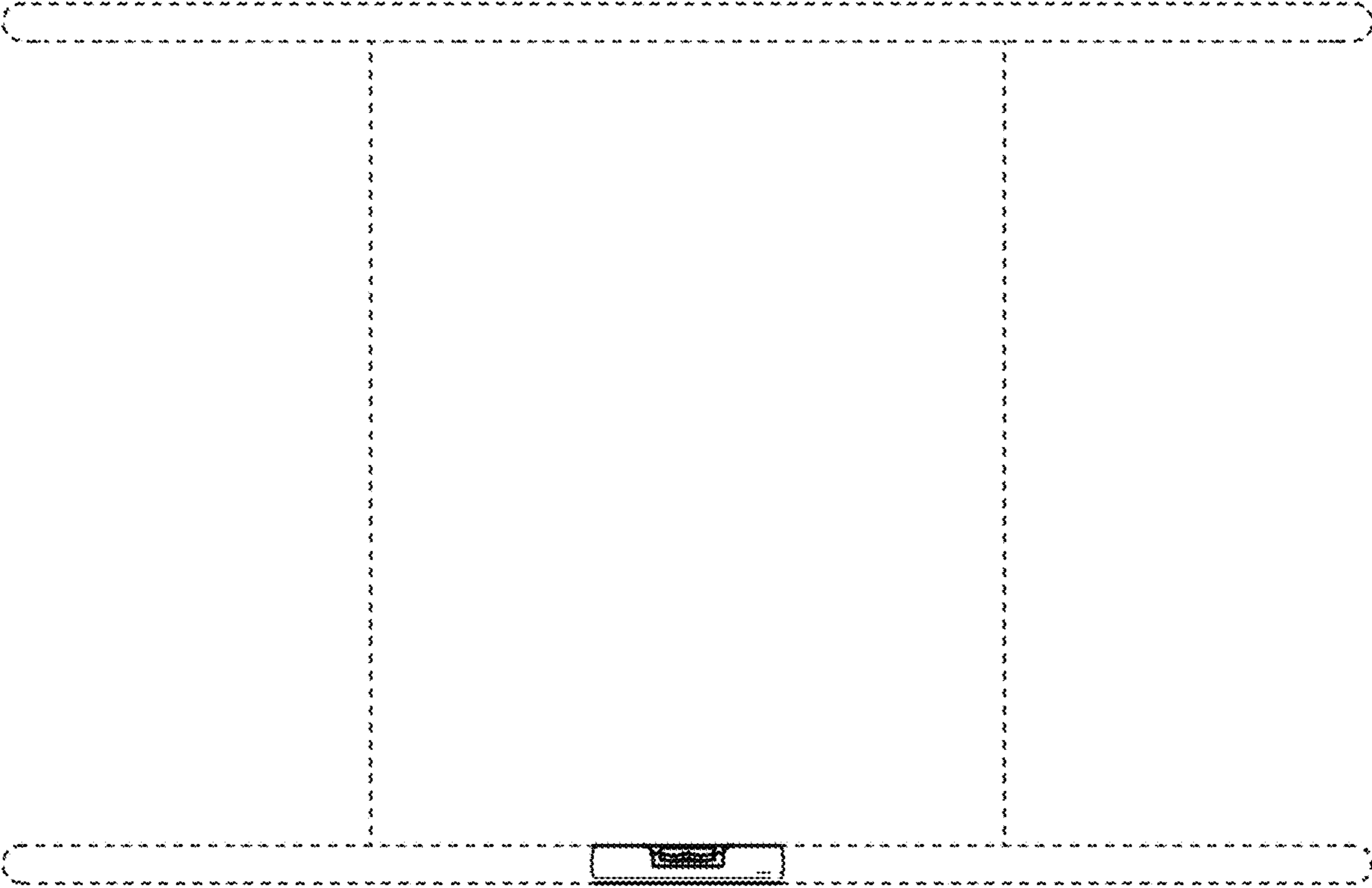
1.4



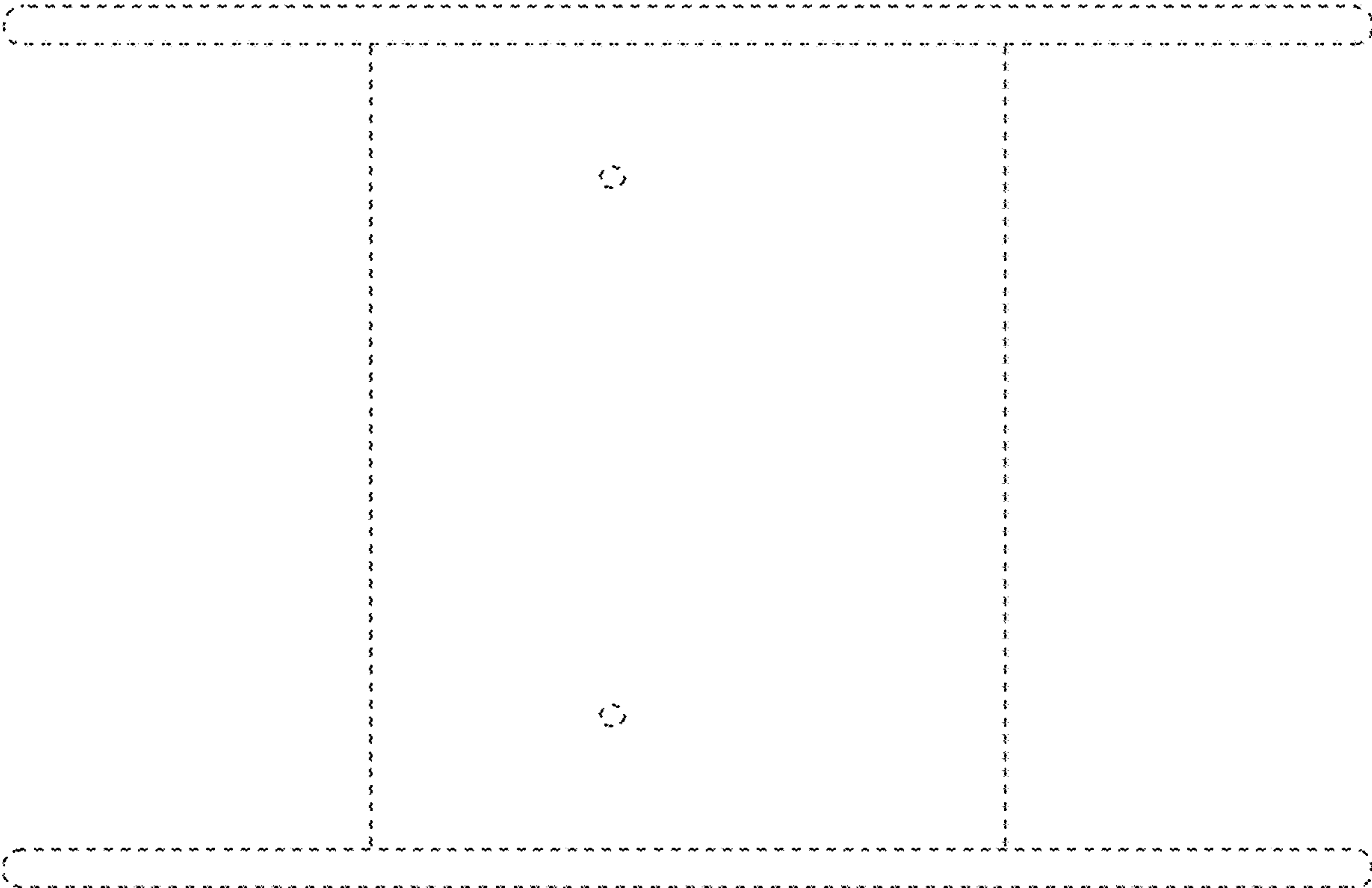
1.5



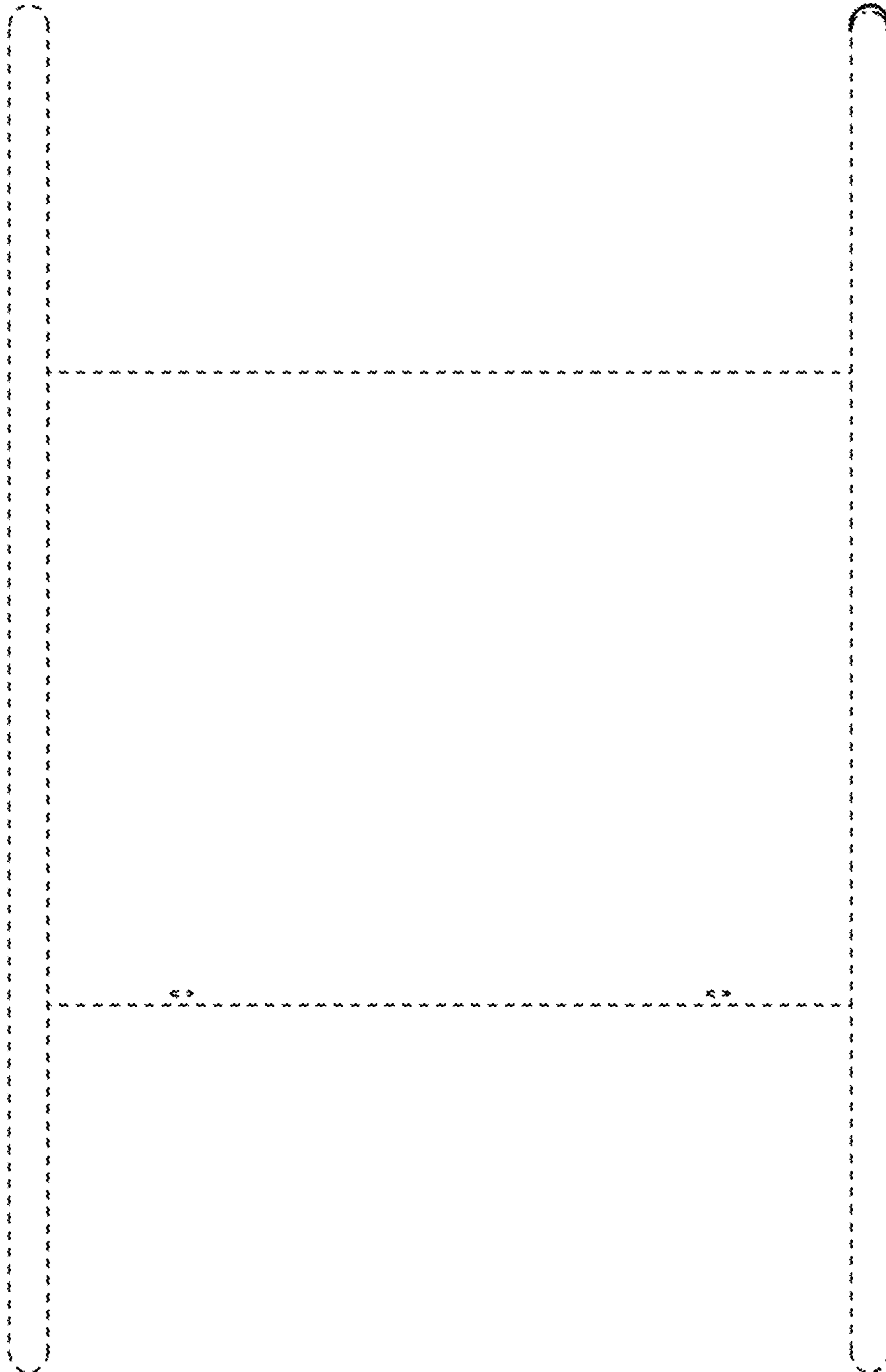
1.6



1.7



1.8



1.9

