



US00D957232S

(12) **United States Design Patent**
Sharma et al.

(10) **Patent No.:** **US D957,232 S**
(45) **Date of Patent:** **** Jul. 12, 2022**

- (54) **MOUNTABLE BRACKET**
- (71) Applicant: **Weber-Stephen Products LLC**,
Palatine, IL (US)
- (72) Inventors: **Aman Sharma**, Round Lake, IL (US);
Romualdo Sonny Siazon, Woodstock,
IL (US)
- (73) Assignee: **WEBER-STEPHEN PRODUCTS
LLC**, Palatine, IL (US)
- (**) Term: **15 Years**
- (21) Appl. No.: **29/788,909**
- (22) Filed: **Aug. 12, 2021**

Related U.S. Application Data

- (63) Continuation of application No. 29/733,239, filed on
Apr. 30, 2020, now Pat. No. Des. 931,711.
- (51) **LOC (13) Cl.** **08-05**
- (52) **U.S. Cl.**
USPC **D8/354**
- (58) **Field of Classification Search**
USPC D8/354, 349, 355, 363, 373, 380, 387,
D8/388, 389; D20/22, 27, 42, 43;
D6/315, 320, 328, 319
CPC H05K 5/0204; H05K 7/14; F16M 13/02;
H04N 5/655
See application file for complete search history.

(56) **References Cited**

U.S. PATENT DOCUMENTS

D158,138 S	4/1950	Simpson
2,529,285 A	11/1950	Felton
3,187,923 A	6/1965	Christensen
3,260,486 A	7/1966	Groff
D250,443 S	12/1978	Romanoff

D255,668 S	7/1980	Sidders et al.
D256,861 S	9/1980	Ryan et al.
4,331,123 A	5/1982	Alles et al.
4,337,751 A	7/1982	Sampson et al.
D272,505 S	2/1984	Daenen et al.
4,665,888 A	5/1987	Christen, Jr. et al.
D312,185 S	11/1990	Prater, Sr.
D314,485 S	2/1991	Chap et al.
D332,367 S	1/1993	McKeone et al.
5,221,006 A	6/1993	Plumlee et al.

(Continued)

OTHER PUBLICATIONS

Weber, "Charcoal Grill Replacement Parts—iGrill Bracket," dated 2020, 4 pages.

(Continued)

Primary Examiner — Keli L Hill

Assistant Examiner — Harold E Blackwell, II

(74) *Attorney, Agent, or Firm* — Hanley, Flight & Zimmerman, LLC

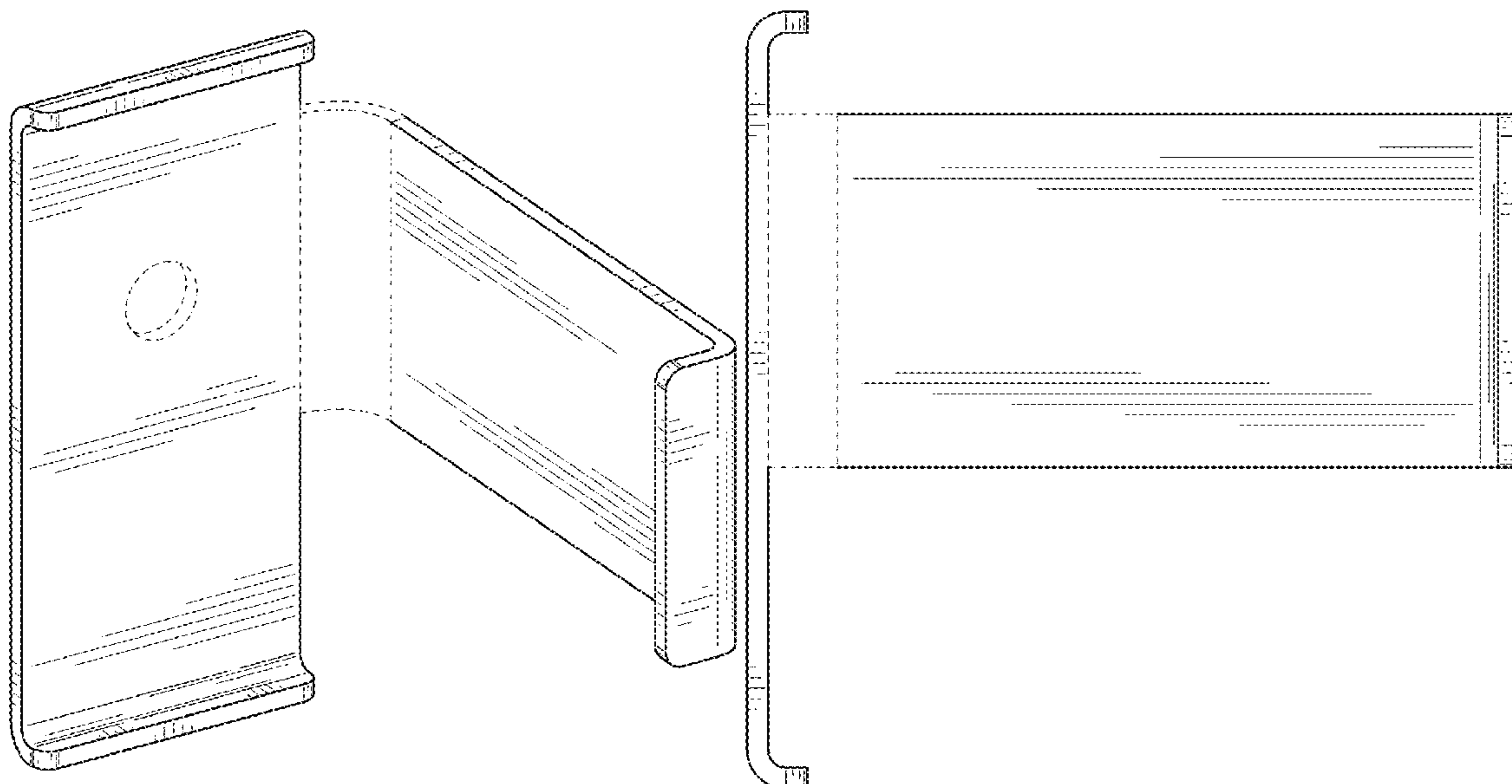
(57) **CLAIM**

The ornamental design for a mountable bracket, as shown and described.

DESCRIPTION

FIG. 1 is a perspective view of a mountable bracket.
 FIG. 2 is a front view of the mountable bracket of FIG. 1.
 FIG. 3 is a rear view of the mountable bracket of FIG. 1.
 FIG. 4 is a right side view of the mountable bracket of FIG. 1.
 FIG. 5 is a left side view of the mountable bracket of FIG. 1.
 FIG. 6 is a top view of the mountable bracket of FIG. 1; and,
 FIG. 7 is a bottom view of the mountable bracket of FIG. 1.
 The features shown in broken lines form no part of the claimed design.

1 Claim, 4 Drawing Sheets



(56)

References Cited

OTHER PUBLICATIONS

U.S. PATENT DOCUMENTS

D341,971 S 12/1993 Corbin
 D371,506 S 7/1996 Nofziger
 5,560,576 A 10/1996 Cargill
 5,615,504 A 4/1997 Peterson et al.
 D432,836 S 10/2000 Gastelum et al.
 D433,858 S 11/2000 Gastelum et al.
 D446,719 S 8/2001 Garraway
 6,350,089 B1 2/2002 Tekavec
 D469,249 S 1/2003 Cain
 D484,097 S 12/2003 Drane et al.
 D493,256 S 7/2004 Kim
 D496,816 S 10/2004 Hoernig
 6,808,147 B2 10/2004 Brannen et al.
 D513,171 S 12/2005 Richardson
 D541,044 S 4/2007 Wagner, II
 D543,403 S 5/2007 Tau
 7,252,274 B1 8/2007 Brannen
 7,431,251 B2 10/2008 Carnevali
 D607,198 S 1/2010 Andre et al.
 D620,706 S 8/2010 Wagner, II
 D622,058 S 8/2010 Wagner, II
 D638,137 S 5/2011 Gross et al.
 D655,575 S 3/2012 Ruzika
 D667,249 S 9/2012 London
 8,333,285 B2 12/2012 Kiehna et al.
 D682,682 S 5/2013 Biery
 D699,097 S 2/2014 Chung et al.
 D727,657 S 4/2015 Lim
 D727,791 S 4/2015 Montagano
 D733,772 S 7/2015 Kim et al.
 D754,533 S 4/2016 Afford et al.
 D759,958 S 6/2016 Requa
 D761,614 S 7/2016 Zemel et al.
 D770,232 S 11/2016 Brown et al.
 9,634,711 B2 4/2017 Sirichai
 9,847,805 B2 12/2017 Sirichai
 D806,381 S 1/2018 Yu
 D821,743 S 7/2018 Cao
 D826,044 S 7/2018 Jefferies
 D824,692 S 8/2018 Kwiatkowski et al.
 10,067,004 B1 9/2018 Allen
 D839,078 S 1/2019 Stahl et al.
 D848,731 S 5/2019 Ge
 10,304,429 B1 5/2019 Broadbelt et al.
 D852,793 S 7/2019 Zhou
 10,362,855 B2 7/2019 Whang et al.
 D863,040 S 10/2019 DeDios-Shirley et al.
 D865,487 S 11/2019 DeDios-Shirley et al.
 D886,569 S * 6/2020 Vlad D8/354
 D887,890 S 6/2020 Liu
 D891,777 S 8/2020 Newton
 D899,896 S * 10/2020 Palmer D8/349
 D902,016 S * 11/2020 Yehishalom D8/354
 D906,095 S 12/2020 DeDios-Shirley et al.
 D919,413 S * 5/2021 Eveland D13/102
 D924,673 S * 7/2021 Bean D8/382
 D931,711 S 9/2021 Sharma et al.
 D938,803 S * 12/2021 Gualtieri D8/349
 2006/0070613 A1 4/2006 Cummings et al.
 2018/0177335 A1 6/2018 Polaczek et al.
 2018/0338351 A1 11/2018 Schmeski
 2018/0372555 A1 12/2018 Allen, Sr.

IP Australia, "Formalities notice No. 1—requirements not met," issued in connection with Australian Patent Application No. 202014604, dated Nov. 9, 2020, 2 pages.
 IP Australia, "Formalities notice No. 1—requirements not met," issued in connection with Australian Patent Application No. 202014603, dated Nov. 13, 2020, 2 pages.
 IP Australia, "Certificate of Registration," issued in connection with Australian Patent Application No. 202014603, dated Nov. 17, 2020, 8 pages.
 IP Australia, "Certificate of Registration," issued in connection with Australian Patent Application No. 202014604, dated Nov. 18, 2020, 7 pages.
 IP Australia, "Certificate of Registration," issued in connection with Australian Patent Application No. 202014602, dated Nov. 9, 2020, 8 pages.
 European Union Intellectual Property Office, "Certificate of Registration No. 008166680-0001," dated Sep. 11, 2020, 5 pages.
 China National Intellectual Property Administration, "Design Certificate," issued in connection with Chinese Patent No. ZL 202030532259.7, dated Feb. 26, 2021, 3 pages.
 China National Intellectual Property Administration, "Notice of Grant," issued in connection with Chinese Patent Application No. 202030530708.4, dated Jan. 13, 2021, 4 pages.
 China National Intellectual Property Administration, "Notice of Grant," issued in connection with Chinese Patent Application No. 202030530918.3, dated Jan. 28, 2021, 5 pages.
 China National Intellectual Property Administration, "Notice of Grant," issued in connection with Chinese Patent Application No. 202030532259.7, dated Jan. 18, 2021, 4 pages.
 China National Intellectual Property Administration, "Design Certificate," issued in connection with Chinese Patent No. ZL 202030530918.3, dated Mar. 9, 2021, 3 pages.
 China National Intellectual Property Administration, "Design Certificate," issued in connection with Chinese Patent No. ZL 202030530708.4, dated Feb. 19, 2021, 3 pages.
 European Union Intellectual Property Office, "Certificate of Registration No. 008160139-0001," dated Sep. 11, 2020, 4 pages.
 European Union Intellectual Property Office, "Certificate of Registration No. 008167449-0001," dated Sep. 11, 2020, 4 pages.
 United States Patent and Trademark Office, "Notice of Allowance and Fee(s) Due," issued in connection with U.S. Appl. No. 29/733,234, dated Oct. 5, 2021, 8 pages.
 United States Patent and Trademark Office, "Notice of Allowance and Fee(s) Due," issued in connection with U.S. Appl. No. 29/733,239, dated Jul. 13, 2021, 7 pages.
 United States Patent and Trademark Office, "Notice of Allowance and Fee(s) Due," issued in connection with U.S. Appl. No. 29/733,243, dated Oct. 19, 2021, 6 pages.
 IP Australia, "Certificate of Examination," issued in connection with Australian Patent Application No. 202014605, dated Apr. 7, 2021, 2 pages.
 IP Australia, "Certificate of Registration," issued in connection with Australian Patent Application No. 202014605, dated Nov. 18, 2020, 8 pages.
 Canadian Intellectual Property Office, "Notice of Registration," issued in connection with Canadian Patent Application No. 198057, dated Mar. 4, 2022, 8 pages.

* cited by examiner

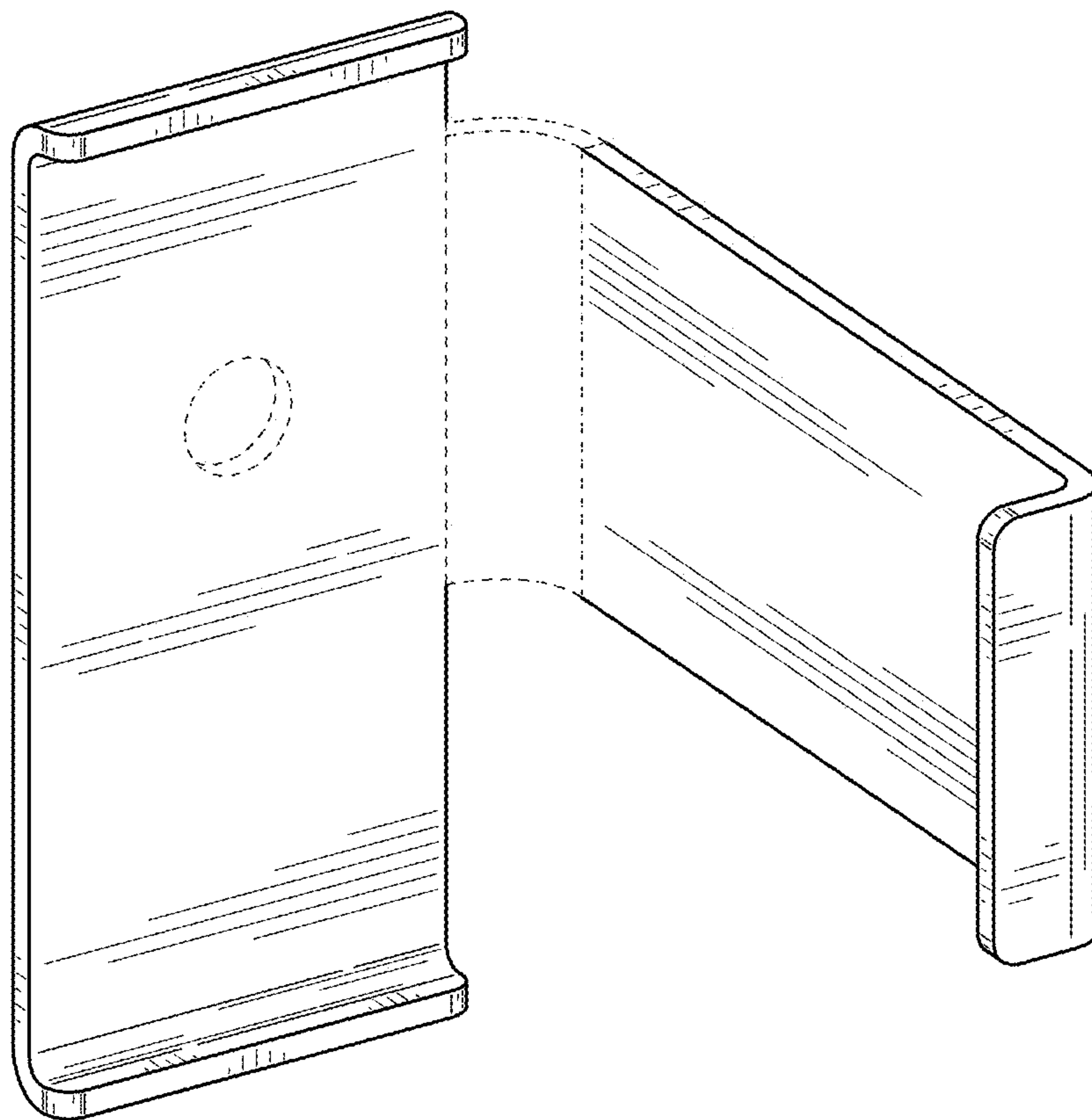
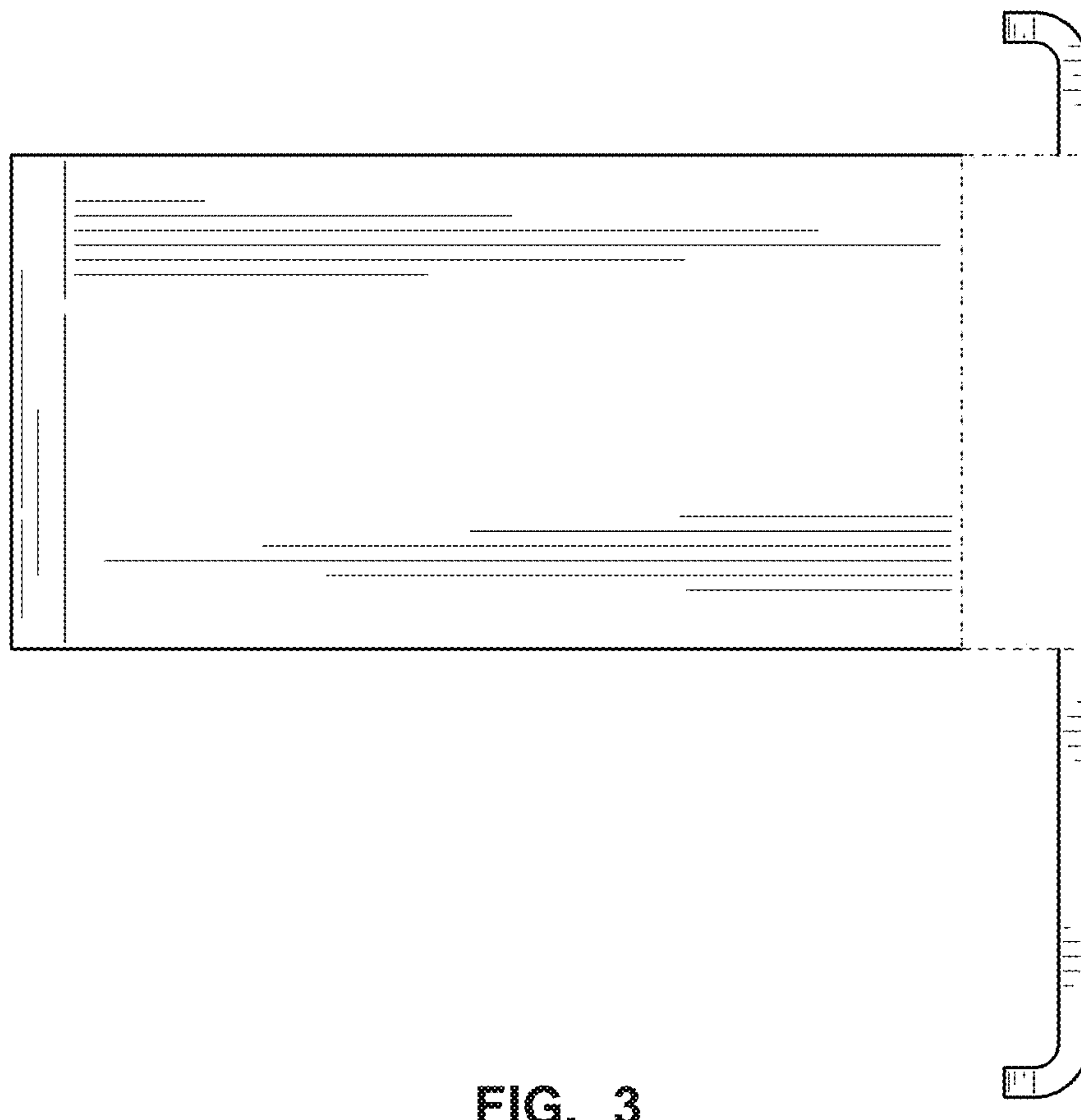
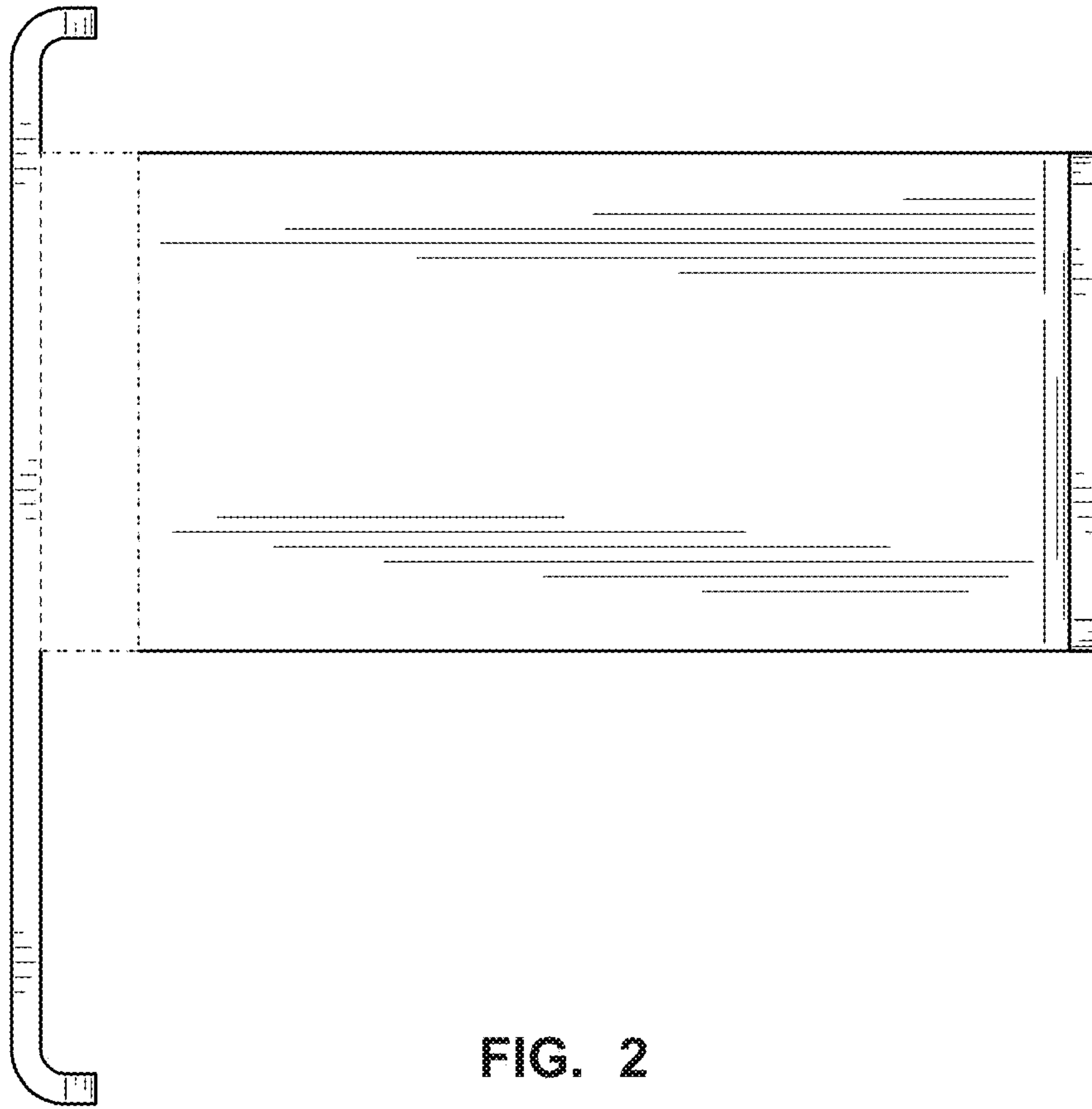


FIG. 1



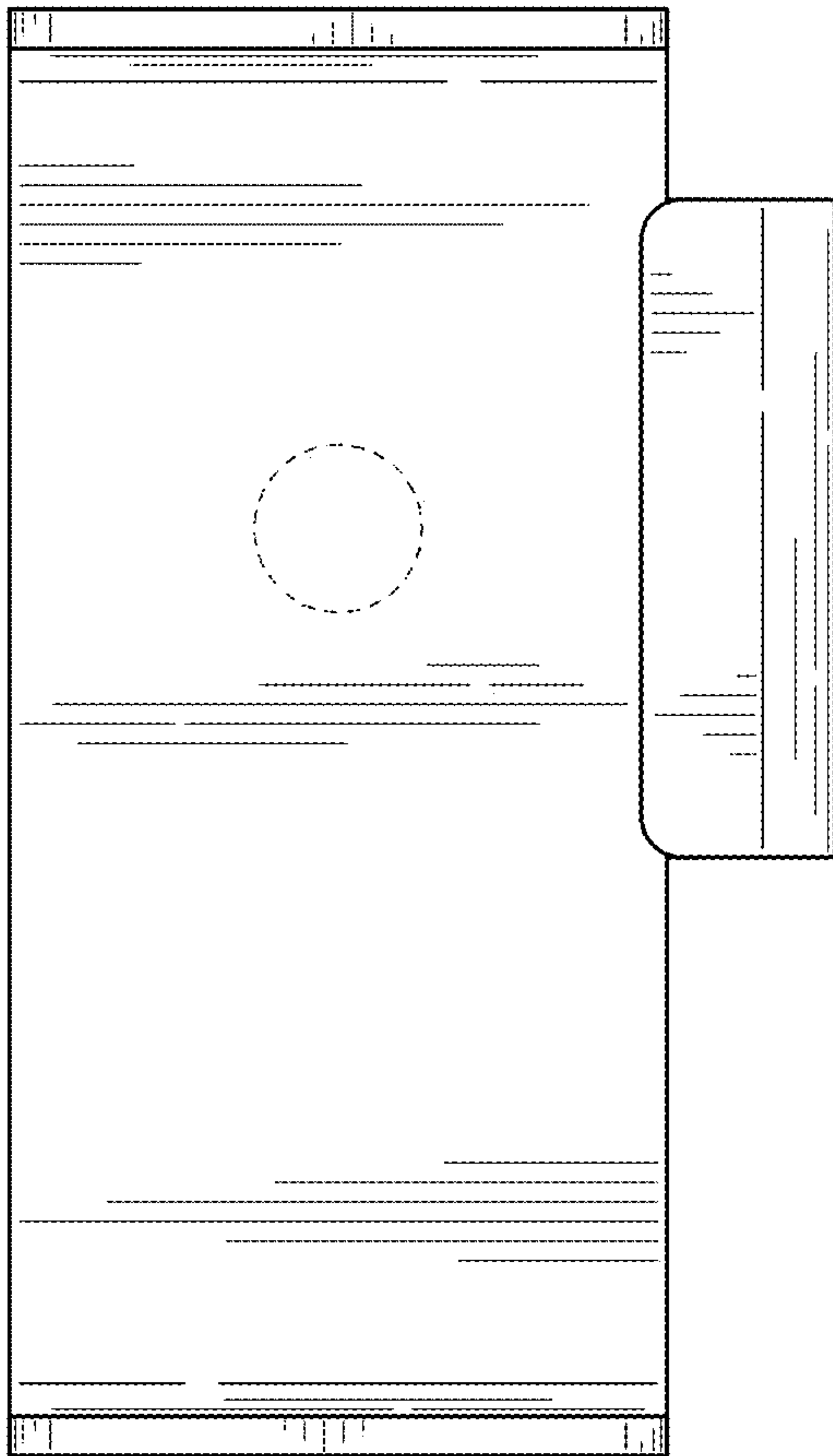


FIG. 4

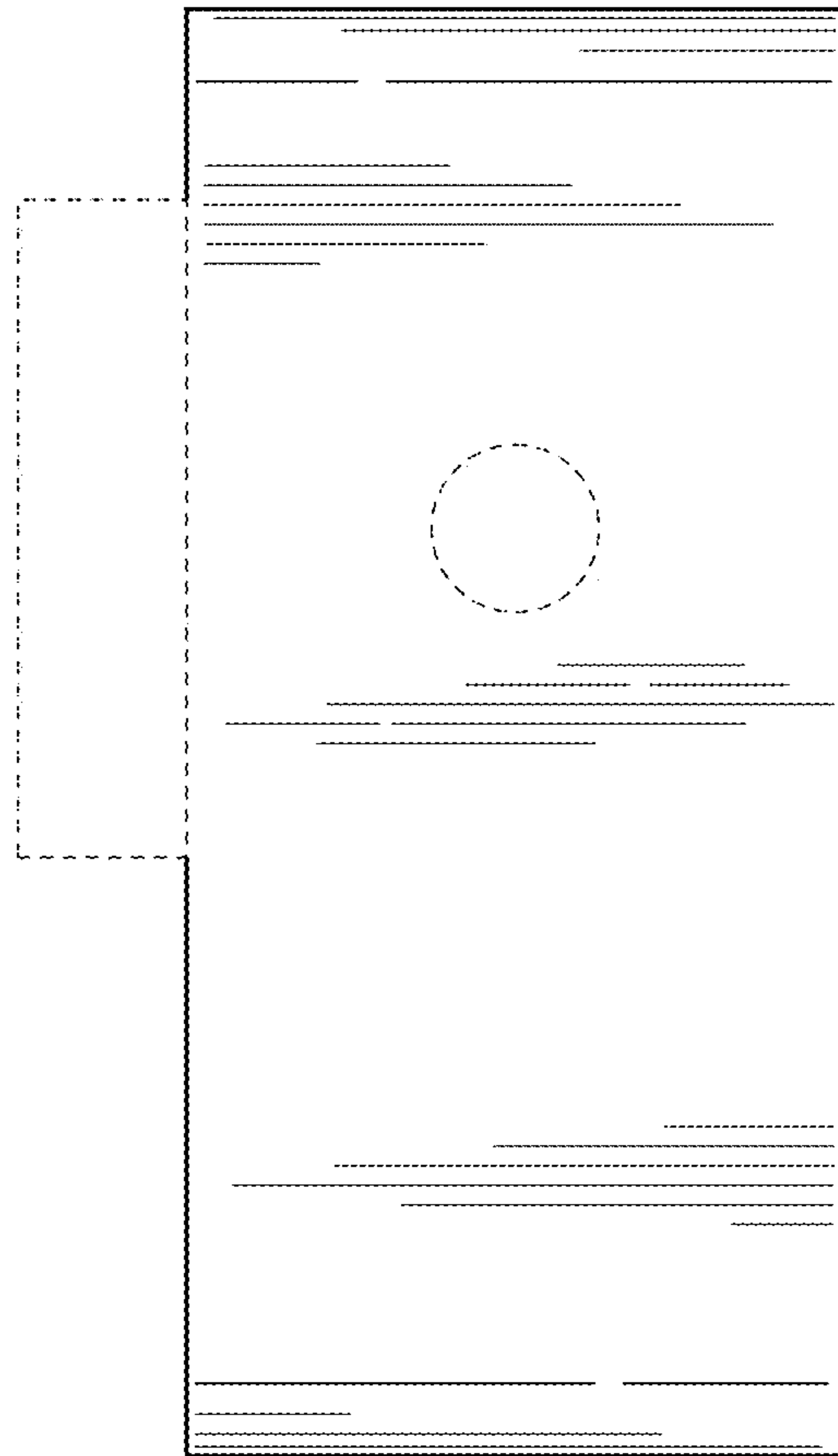


FIG. 5

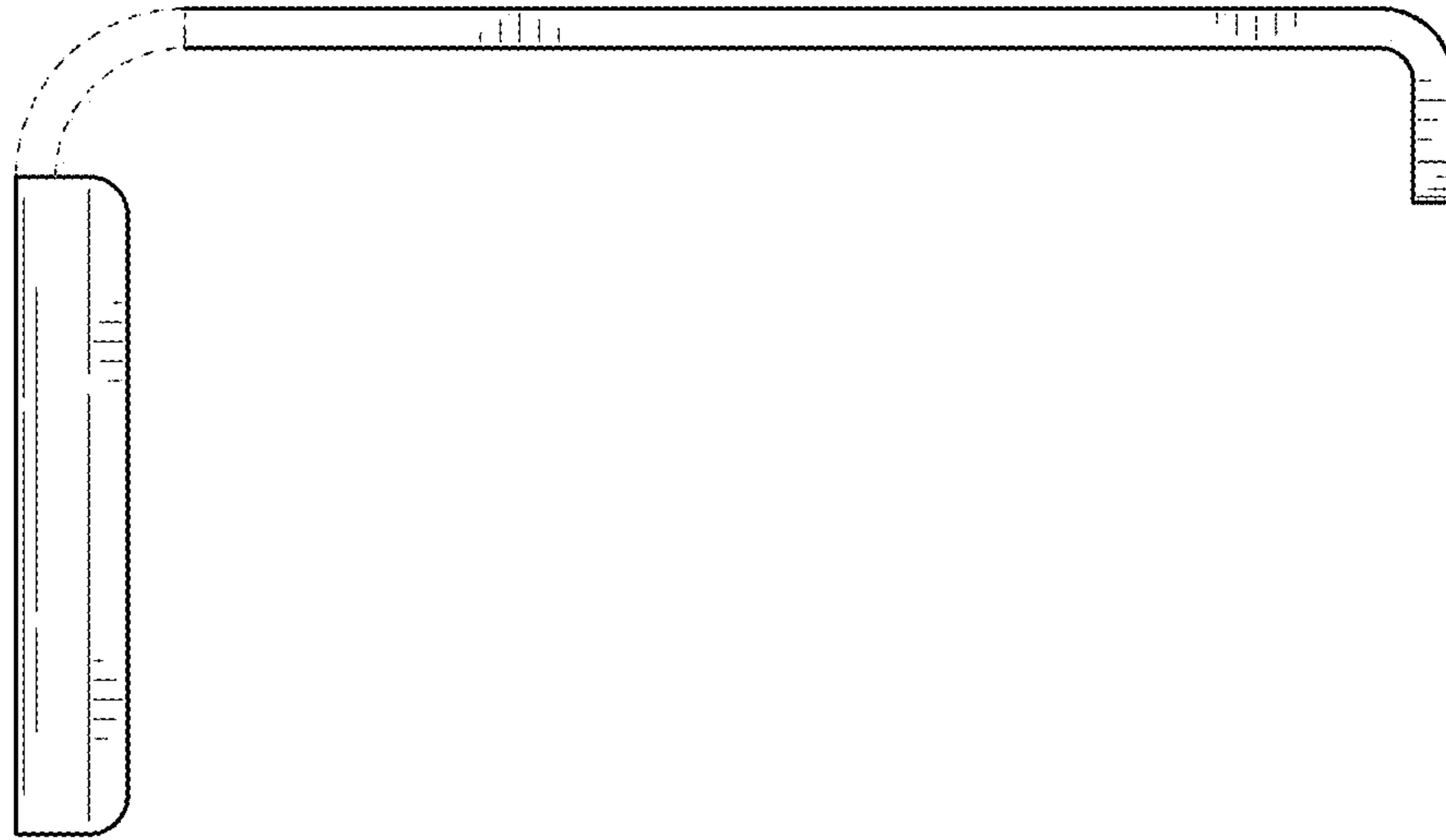


FIG. 6

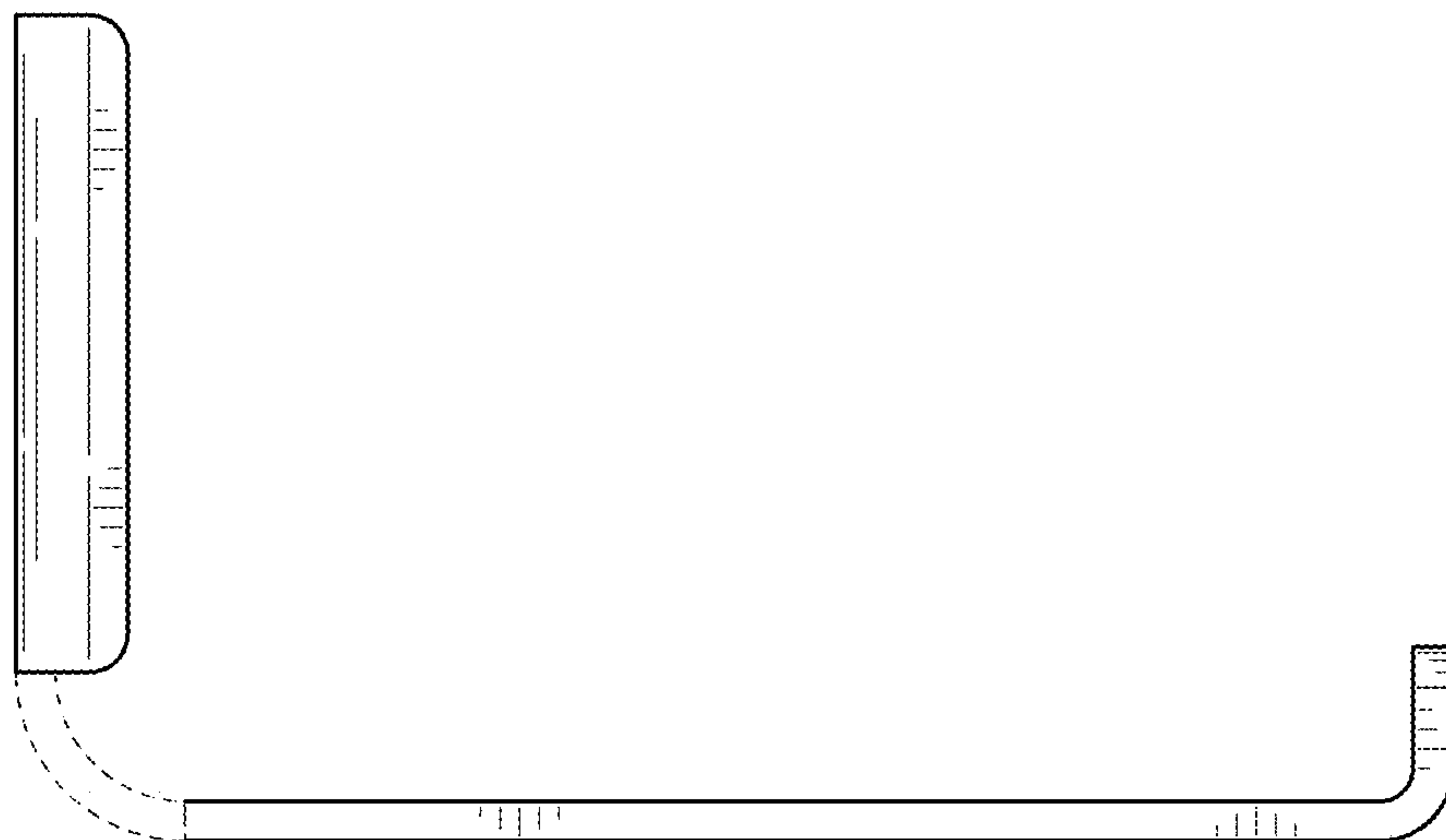


FIG. 7