



US00D957231S

(12) **United States Design Patent** (10) **Patent No.:** **US D957,231 S**  
**Dai** (45) **Date of Patent:** **\*\* Jul. 12, 2022**

(54) **FINGERPRINT HANDLE LOCK**  
(71) Applicant: **SAFESKY TECHNOLOGY CO., LTD.**, Shenzhen (CN)  
(72) Inventor: **Rui Dai**, Shenzhen (CN)  
(73) Assignee: **SAFESKY TECHNOLOGY CO., LTD.**, Shenzhen (CN)  
(\*\*) Term: **15 Years**  
(21) Appl. No.: **29/798,656**  
(22) Filed: **Jul. 9, 2021**  
(51) **LOC (13) Cl.** ..... **08-07**  
(52) **U.S. Cl.**  
USPC ..... **D8/330; D8/343**  
CPC ..... **E05B 9/02 (2013.01)**  
(58) **Field of Classification Search**  
USPC ..... D8/300, 308, 330, 336-338, 343, 499;  
70/283.1, 277; 340/5.53  
CPC ..... E05B 9/02; E05B 47/00; E05B 47/0001;  
E05B 63/20; E05B 47/02; E05B 47/06;  
E05B 49/00; E05B 47/0012; E05B 15/00;  
E05B 59/00; E05B 55/00; E05B 65/104;  
E05B 47/026; E05B 2047/0048; E05B  
2047/0072; E05B 2047/0067; E05B  
2047/0086; E05B 2047/0056; E05B  
2047/0068; G07C 9/33; E05C 1/14; Y10T  
70/8946; Y10T 70/625; Y10T 70/7068  
See application file for complete search history.

(56) **References Cited**  
U.S. PATENT DOCUMENTS  
D429,139 S \* 8/2000 Ahn ..... D8/352  
D515,401 S \* 2/2006 Osiecki ..... D8/331  
D519,356 S \* 4/2006 Osiecki ..... D8/331  
7,023,319 B2 \* 4/2006 Hwang ..... G07C 9/00944  
341/20  
D558,026 S \* 12/2007 Luo ..... D8/338

D581,245 S \* 11/2008 Conway ..... D8/330  
D581,246 S \* 11/2008 Conway ..... D8/330  
7,984,631 B2 \* 7/2011 Case ..... E05B 15/02  
D8/352  
D794,414 S \* 8/2017 Chou ..... D8/350  
D818,795 S 5/2018 Morstatt  
D904,855 S \* 12/2020 Min ..... D8/330  
D906,087 S \* 12/2020 Zheng ..... D8/331  
D909,850 S \* 2/2021 Lin ..... D8/331  
D911,812 S \* 3/2021 Moyer ..... D8/330  
D912,492 S \* 3/2021 Singh ..... H04N 7/147  
D8/332  
D916,577 S \* 4/2021 Min ..... D8/330  
D923,452 S \* 6/2021 Bae ..... D8/330  
D931,081 S \* 9/2021 Kong ..... G07C 9/00174  
D8/336  
D933,454 S \* 10/2021 Xiang ..... D8/343  
D944,250 S \* 2/2022 Lavallee ..... D8/308  
D950,353 S \* 5/2022 Dai ..... D8/302  
D951,753 S \* 5/2022 Xiang ..... D8/343  
D951,754 S \* 5/2022 Xiang ..... D8/343

(Continued)

Primary Examiner — Richard E Chilcot

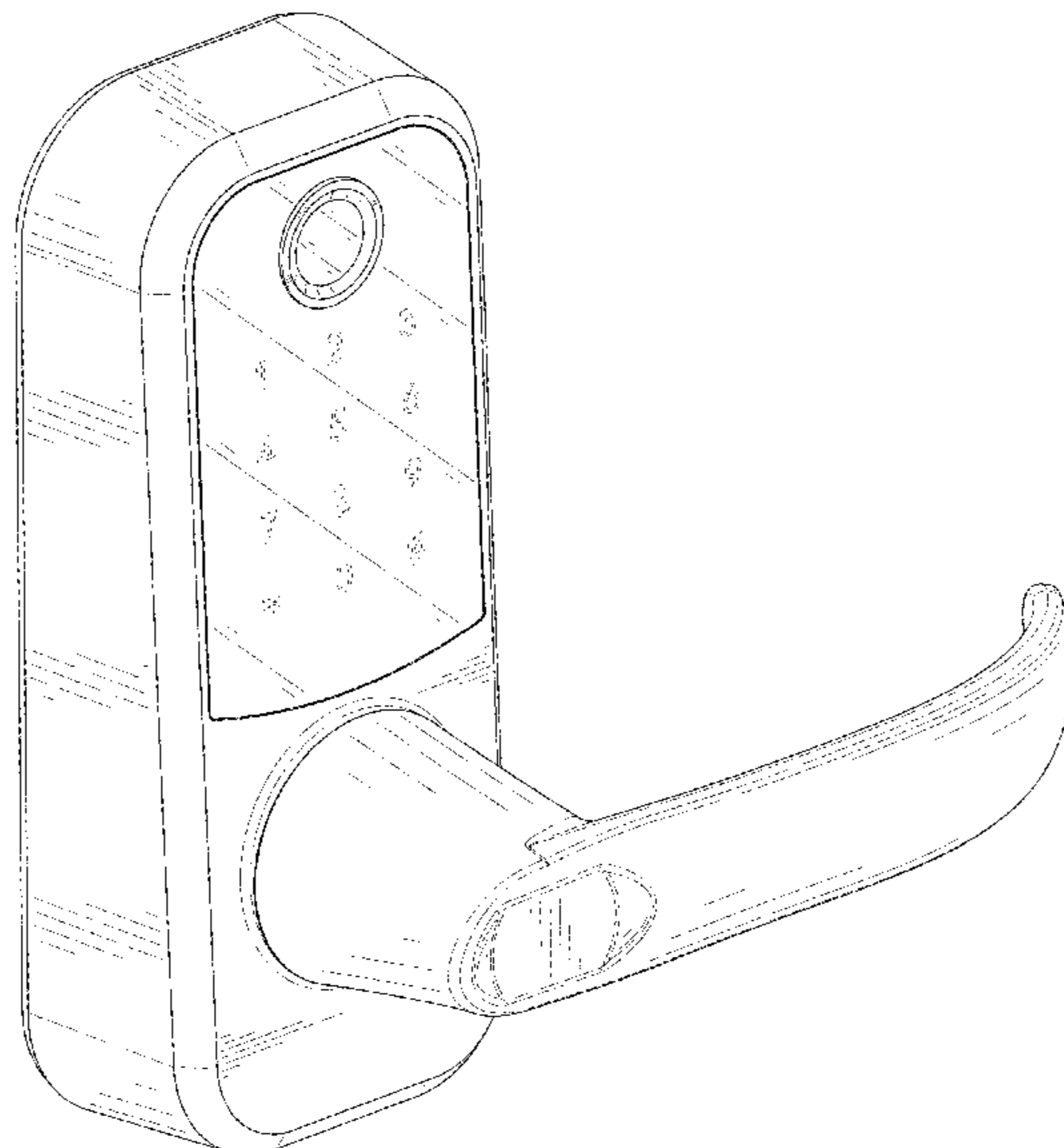
(57) **CLAIM**

The ornamental design for a fingerprint handle lock, as shown and described.

**DESCRIPTION**

FIG. 1 is a perspective view of a fingerprint handle lock showing my new design;  
FIG. 2 is another perspective view thereof;  
FIG. 3 is a front elevational view thereof;  
FIG. 4 is a rear elevational view thereof;  
FIG. 5 is a left side elevational view thereof;  
FIG. 6 is a right side elevational view thereof;  
FIG. 7 is a top plan view thereof; and,  
FIG. 8 is a bottom plan view thereof.  
The broken lines in the drawings depict portions of the fingerprint handle lock that form no part of the claimed design.

**1 Claim, 8 Drawing Sheets**



(56)

**References Cited**

U.S. PATENT DOCUMENTS

2010/0156594 A1\* 6/2010 Chaikin ..... G07C 9/00563  
70/283.1  
2010/0194527 A1\* 8/2010 Loughlin ..... E05B 37/10  
70/91  
2010/0300163 A1\* 12/2010 Loughlin ..... G07C 9/00896  
70/333 R  
2015/0027178 A1\* 1/2015 Scalisi ..... H04N 7/186  
292/144  
2015/0128667 A1\* 5/2015 Yoon ..... E05B 9/02  
70/278.1  
2019/0360238 A1\* 11/2019 Liu ..... E05B 17/14  
2020/0354991 A1\* 11/2020 Derham ..... E05B 63/0065  
2022/0157102 A1\* 5/2022 Kranzler ..... G07C 9/00563  
D8/343

\* cited by examiner

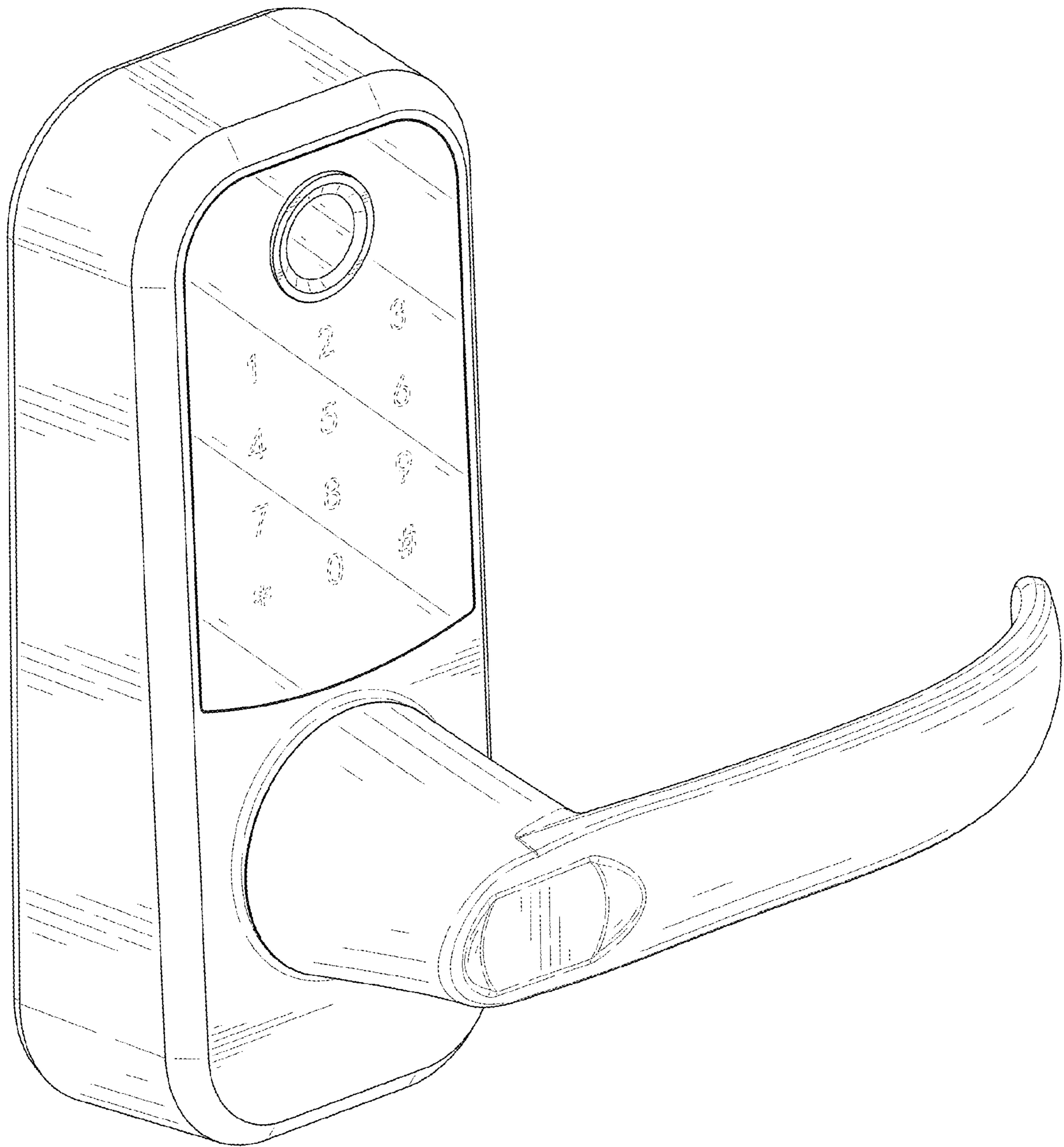


FIG. 1

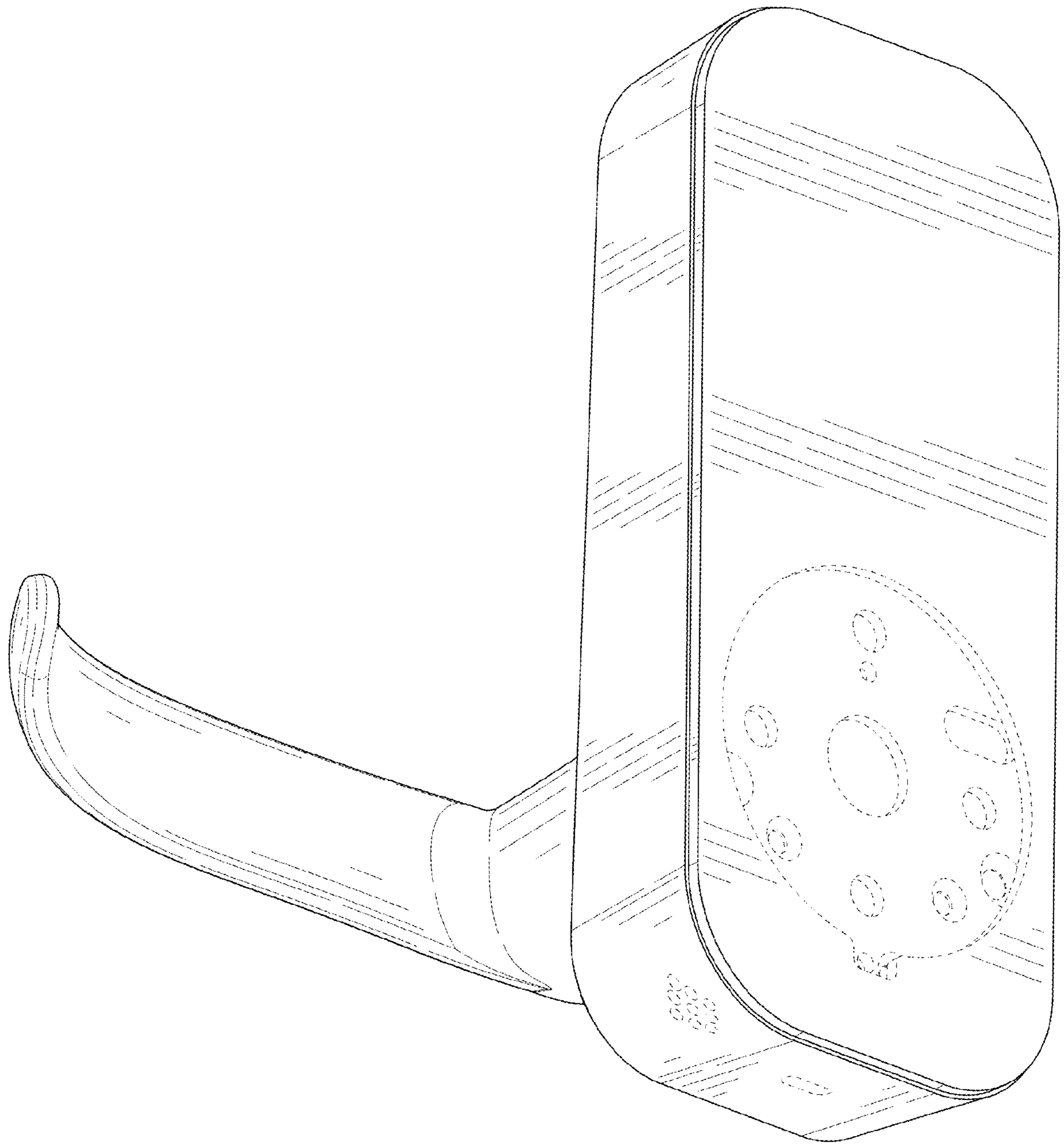


FIG. 2

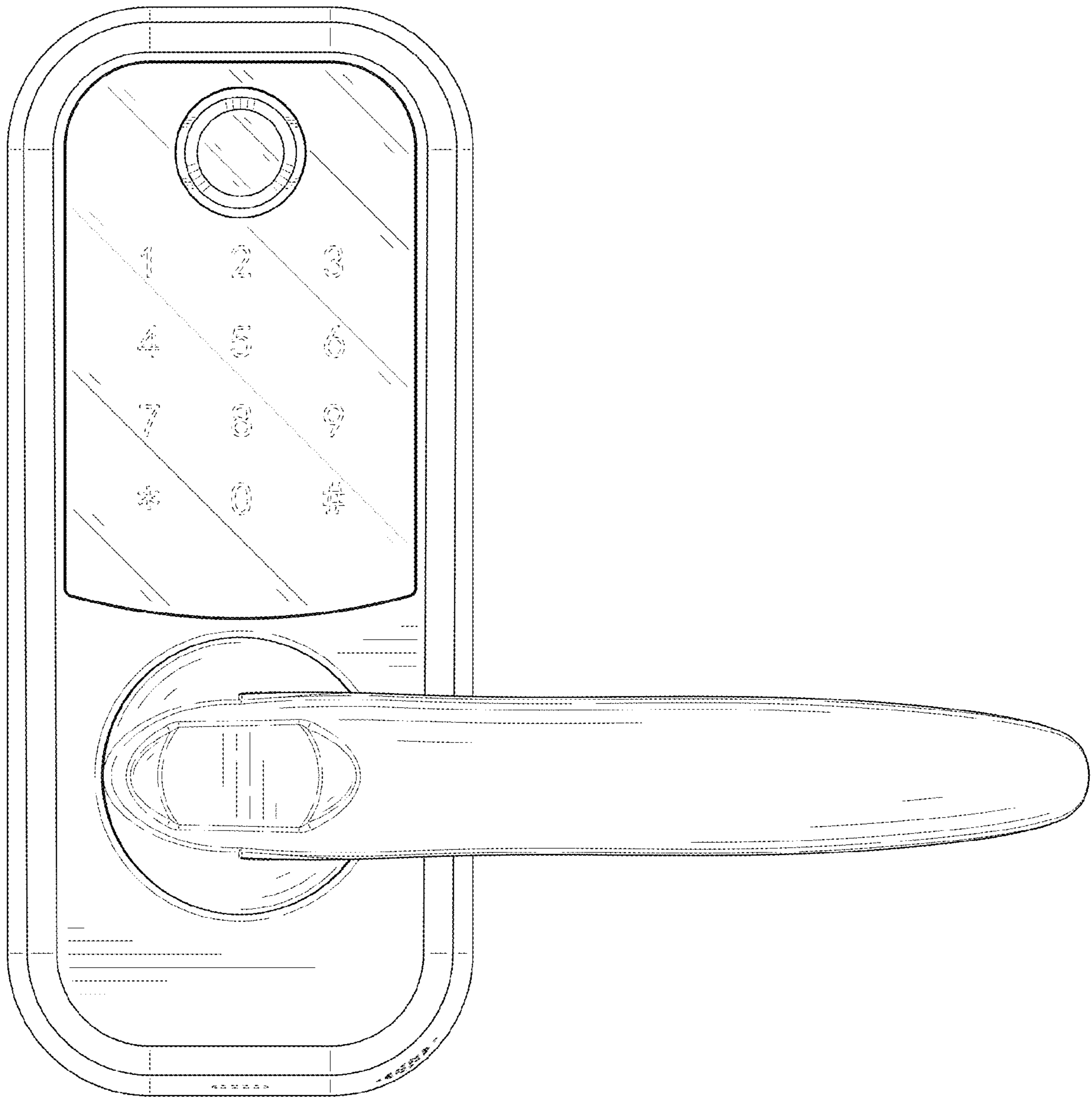


FIG. 3

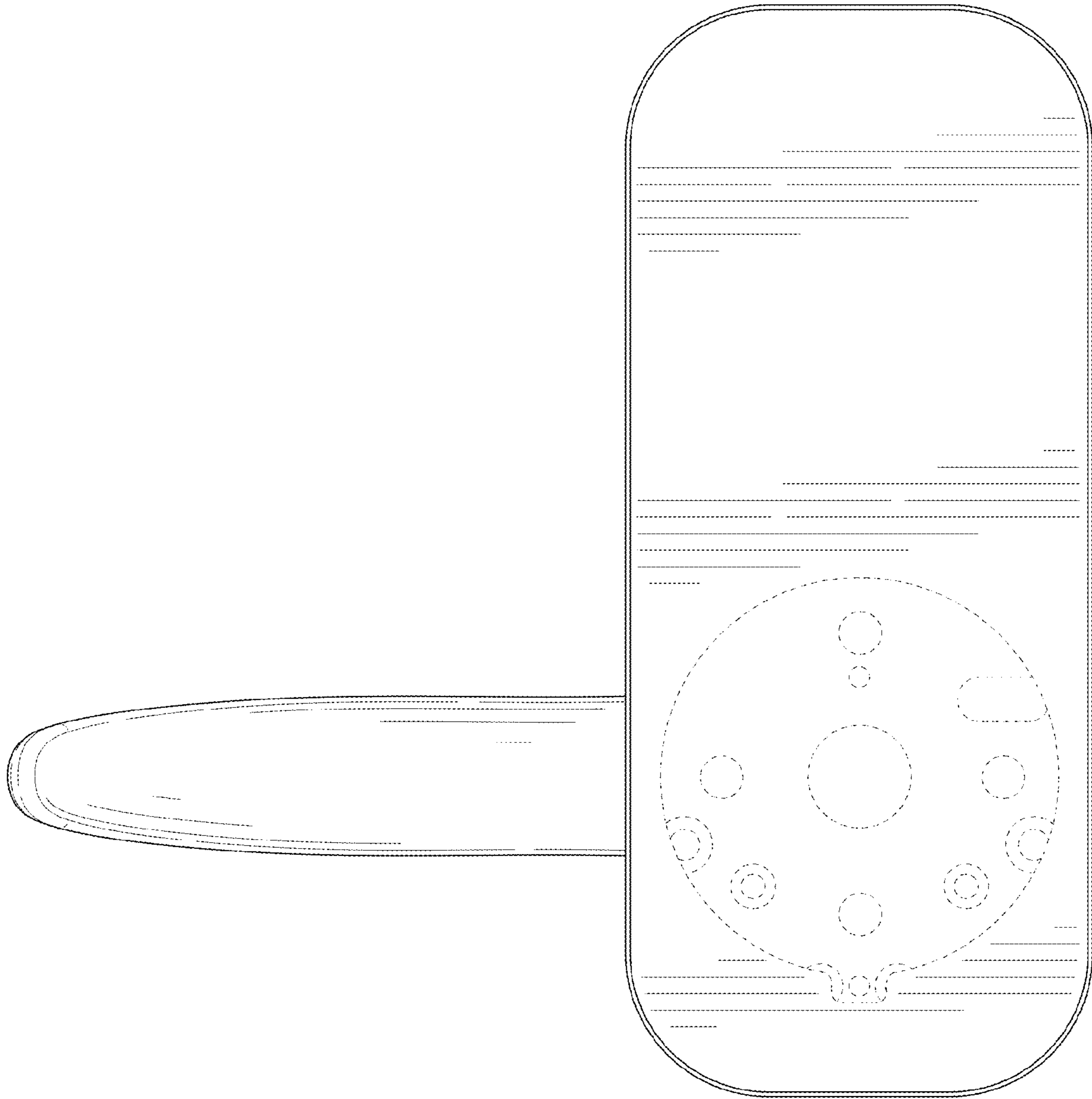


FIG. 4

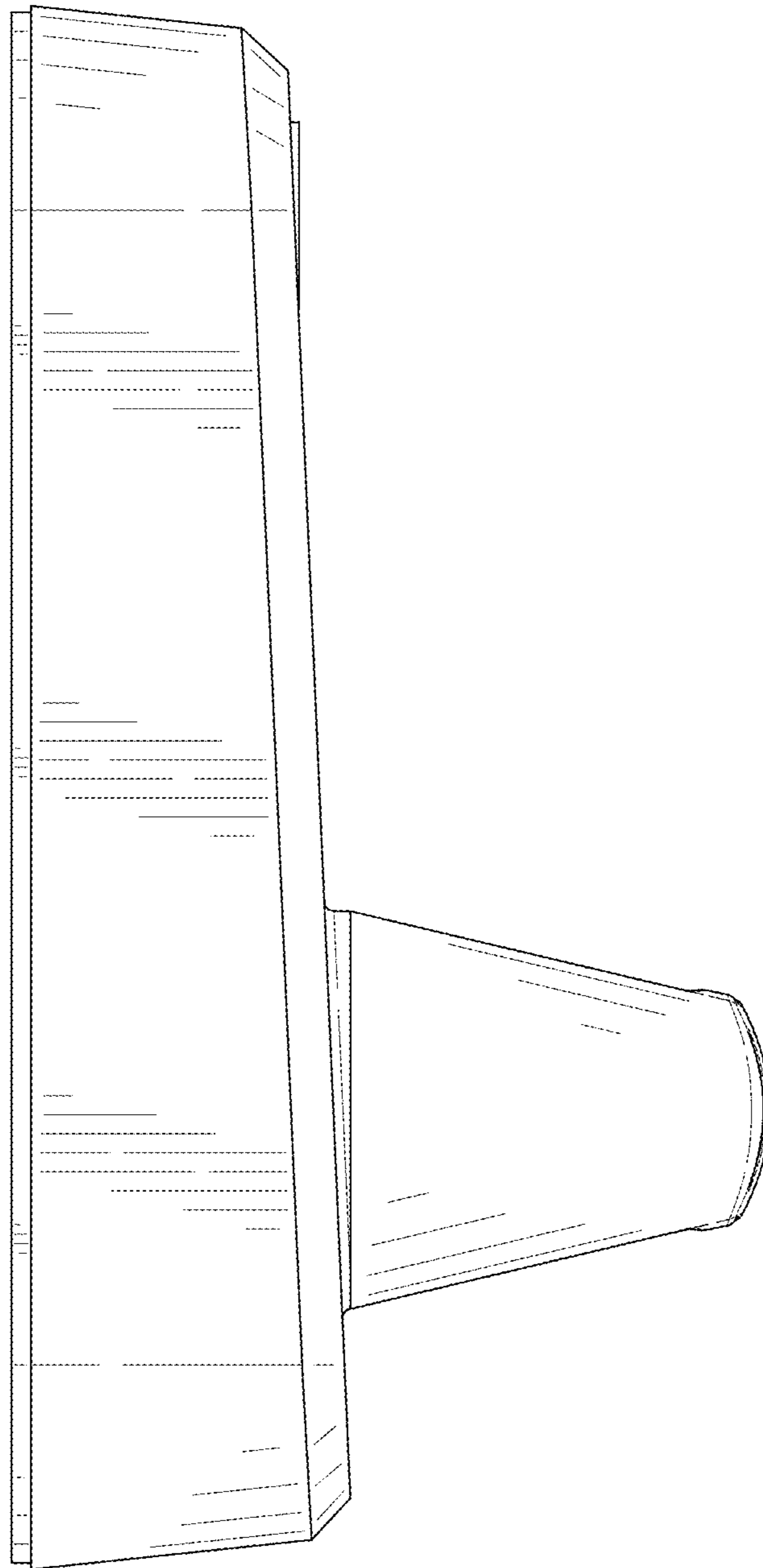


FIG. 5

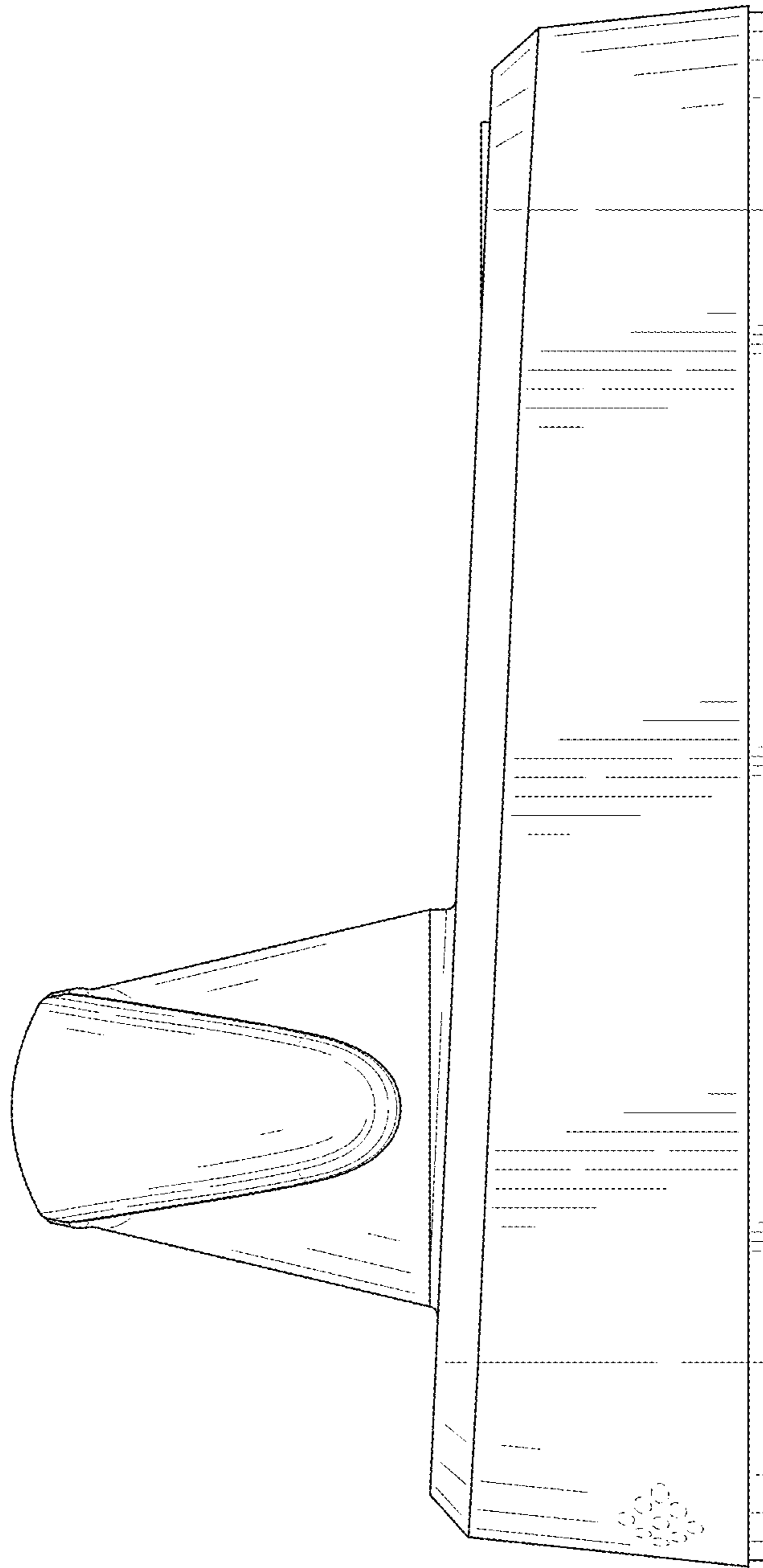


FIG. 6



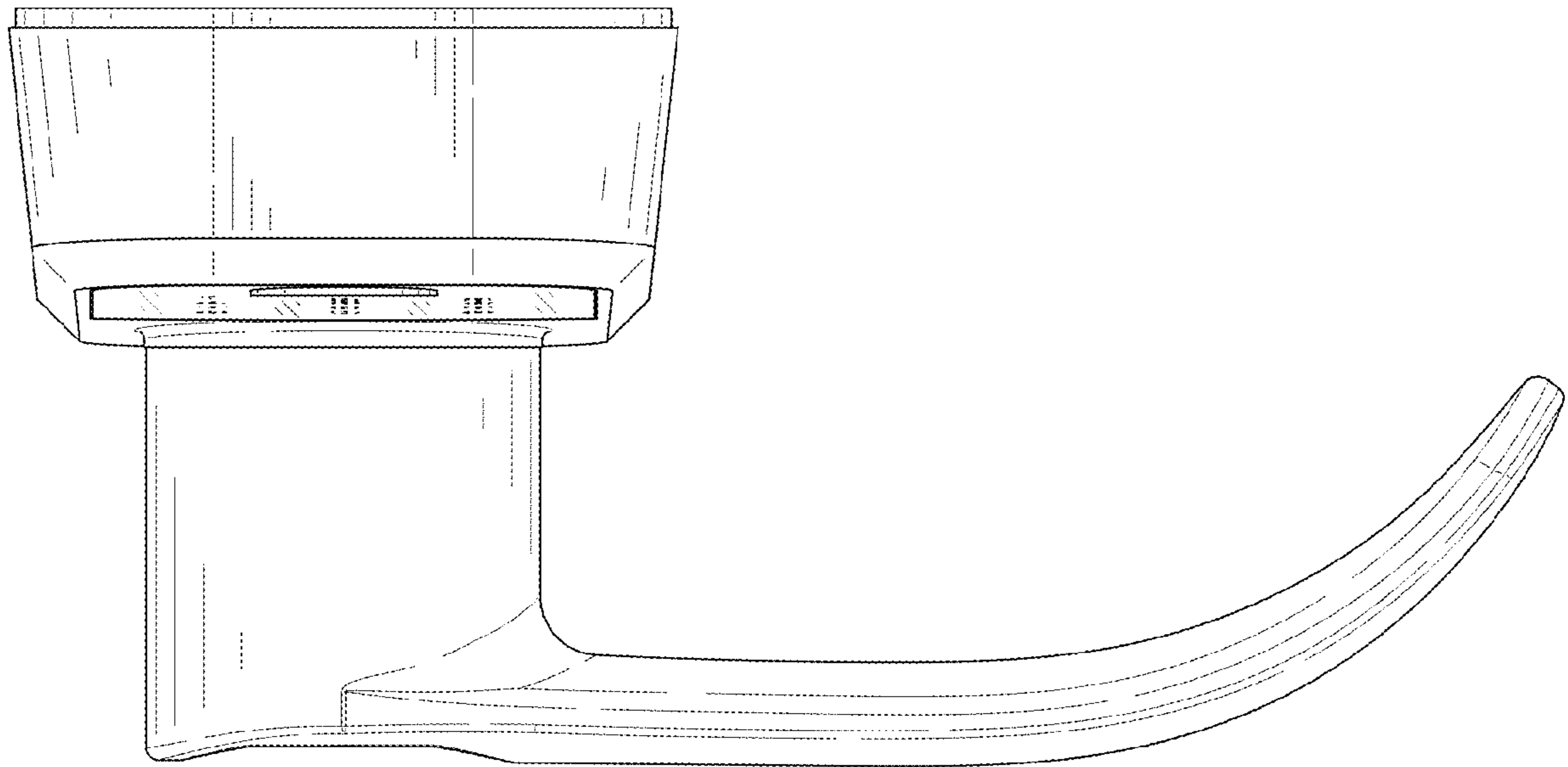


FIG. 7

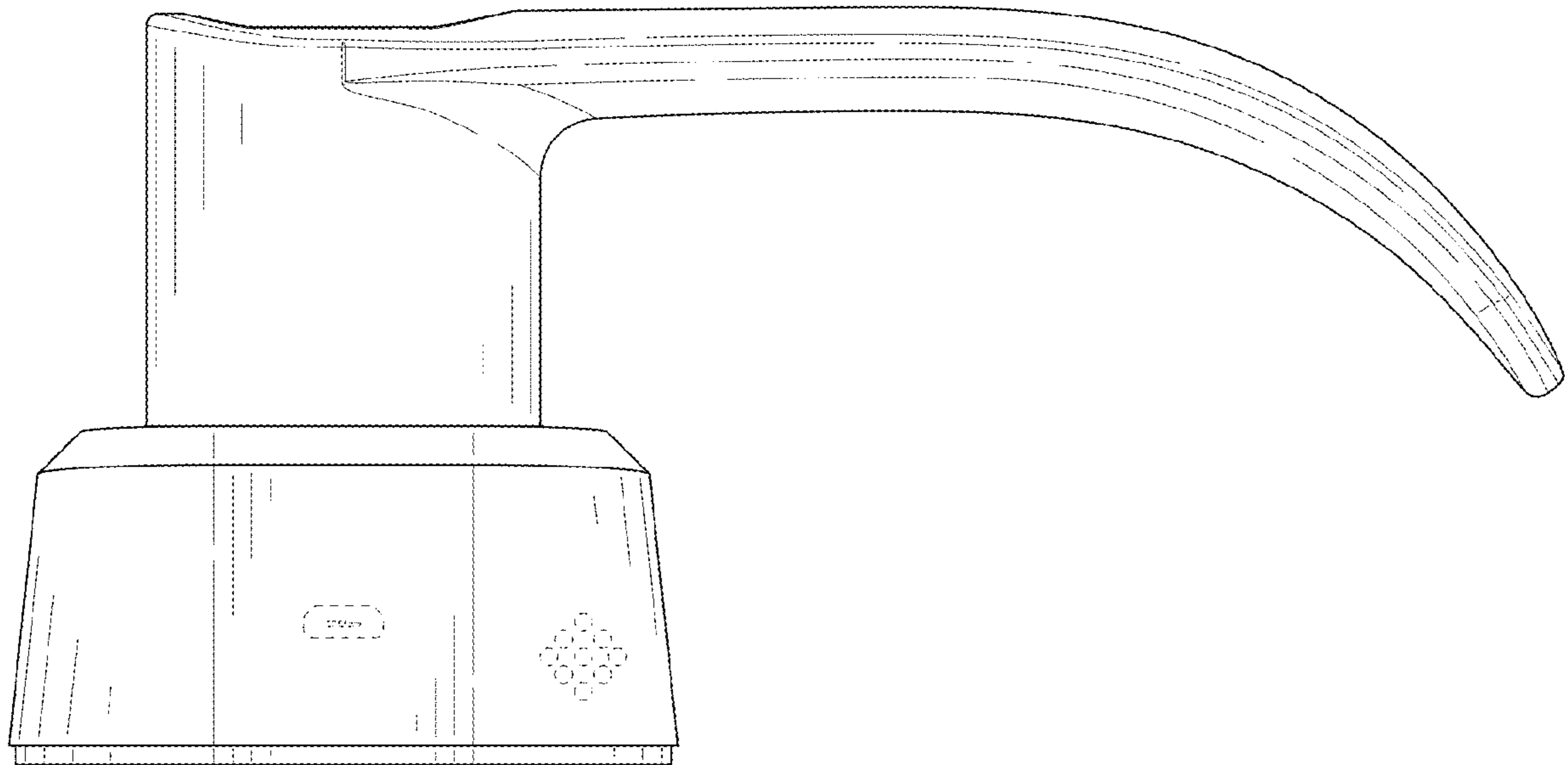


FIG. 8