



US00D957227S

(12) **United States Design Patent**
Azmi et al.

(10) **Patent No.:** **US D957,227 S**
(45) **Date of Patent:** **** Jul. 12, 2022**

(54) **CUTTING DEVICE**

DESCRIPTION

(71) Applicants: **The Green Twist LLC**, Tenafly, NJ (US); **Hooman Azmi**
(72) Inventors: **Hooman Azmi**, Tenafly, NJ (US); **Arman Azmi**, Tenafly, NJ (US); **Mazyar Azmi**, Tenafly, NJ (US)
(73) Assignee: **THE GREEN TWIST LLC**, Tenafly, NJ (US)
(**) Term: **15 Years**
(21) Appl. No.: **29/685,844**
(22) Filed: **Apr. 1, 2019**
(51) **LOC (13) Cl.** **08-03**
(52) **U.S. Cl.**
USPC **D8/98**
(58) **Field of Classification Search**
USPC D8/20, 40, 41, 98, 99, 66, 499, 15, 51;
D15/139, 133, 138, 77, 127; D19/65, 72
(Continued)

(56) **References Cited**

U.S. PATENT DOCUMENTS

D138,912 S * 9/1944 Bye D8/41
2,759,544 A 8/1956 De Vries
(Continued)

FOREIGN PATENT DOCUMENTS

CN 101716587 A 6/2010
DE 2 815 383 A1 10/1979
(Continued)

Primary Examiner — Nathaniel D. Buckner

(74) *Attorney, Agent, or Firm* — Myers Wolin, LLC

(57) **CLAIM**

The ornamental design for a cutting device, as shown and described.

FIG. 1 is a front left top perspective view of a cutting device showing our new design;
FIG. 2 is a front top perspective view thereof;
FIG. 3 is a right rear perspective view thereof;
FIG. 4 is a front elevation view thereof, the rear elevation view being identical;
FIG. 5 is a right side elevation view thereof, the left side elevation being identical;
FIG. 6 is a top view thereof;
FIG. 7 is a bottom view thereof;
FIG. 8 is an exploded view thereof with a first element, second element and third element shown separately for clarity;
FIG. 9 is an exploded view thereof with the first element and second element shown assembled and the third element shown separately;
FIG. 10 is an exploded view thereof with the first element shown separately and with the second element and the third element shown assembled;
FIG. 11 is a front left top perspective view of the first element of the cutting device shown separately;
FIG. 12 is a front top perspective view thereof;
FIG. 13 is a right rear perspective view thereof;
FIG. 14 is a front elevation view thereof, the rear elevation view being identical;
FIG. 15 is a right side elevation view thereof, the left side elevation being identical;
FIG. 16 is a top view thereof;
FIG. 17 is a bottom view thereof;
FIG. 18 is a front left top perspective view of the second element of the cutting device shown separately;
FIG. 19 is a right rear bottom perspective view thereof;
FIG. 20 is a front elevation view thereof;
FIG. 21 is a left side elevation view thereof;
FIG. 22 is a right side elevation view thereof;
FIG. 23 is a top view thereof;
FIG. 24 is a bottom view thereof;
FIG. 25 is a rear elevation view thereof;
FIG. 26 is a front left top perspective view of the third element of the cutting device shown separately;
FIG. 27 is a right rear top perspective view thereof;
FIG. 28 is a right rear bottom perspective view thereof;

(Continued)

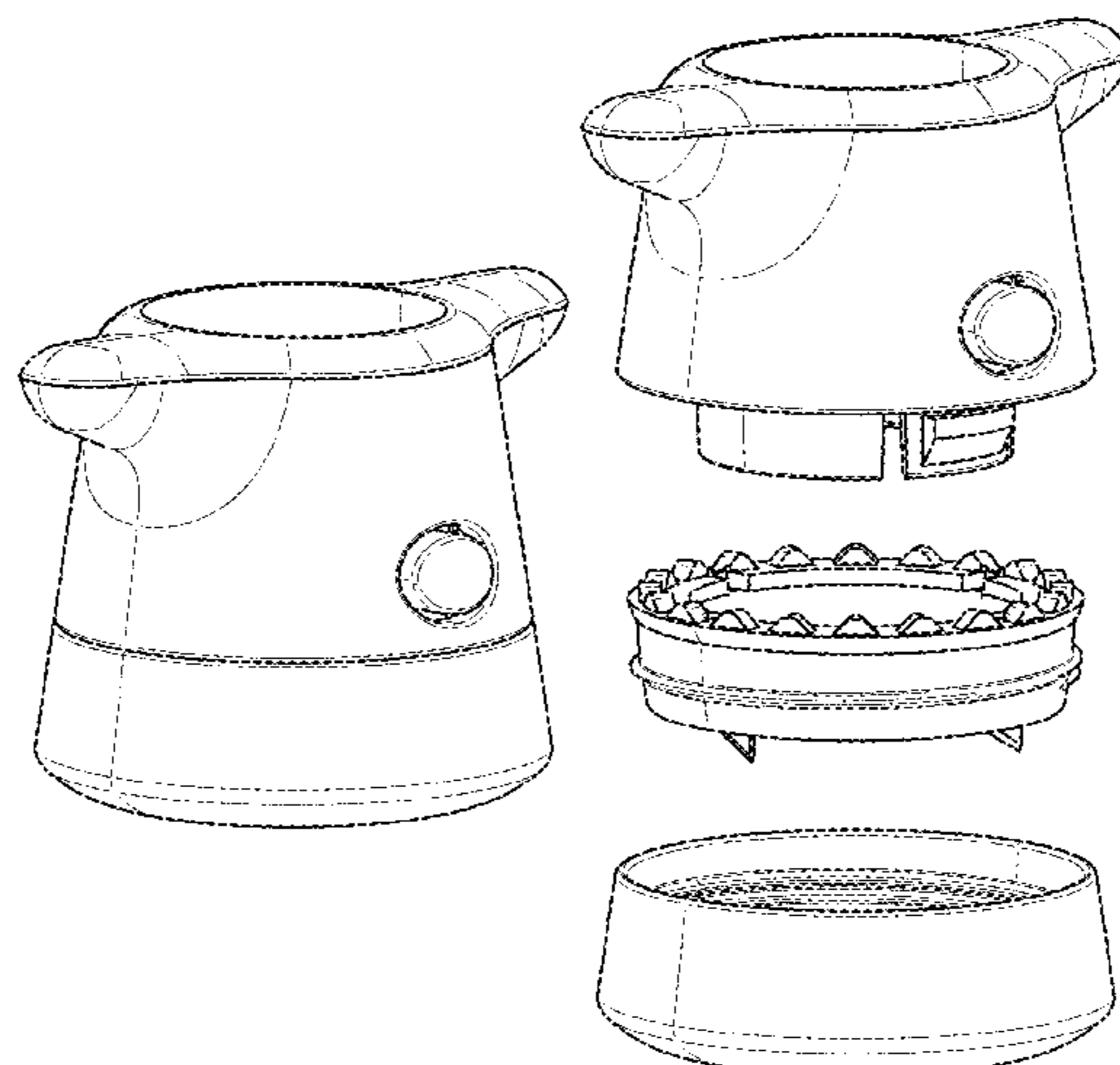


FIG. 29 is a front elevation view thereof, the rear elevation view being identical;
FIG. 30 is a right side elevation view thereof; the left side elevation view being identical;
FIG. 31 is a top view thereof; and,
FIG. 32 is a bottom view thereof.

1 Claim, 10 Drawing Sheets

(58) **Field of Classification Search**

CPC B23C 2200/085; B23C 2200/125; B23C 2210/168; B23C 5/2221; E21C 35/1837; Y10T 407/1924; Y10T 407/235; Y10T 83/9319; Y10T 408/895; Y10T 83/8789; B26B 27/005; B26B 29/06; B26B 5/00; B26F 1/32; B26F 1/3846

See application file for complete search history.

(56)

References Cited

U.S. PATENT DOCUMENTS

3,574,050 A 4/1971 Rice
3,944,127 A 3/1976 Bruke et al.
D245,392 S * 8/1977 Bascom D8/15

D258,933 S * 4/1981 Takahashi D8/98
D393,657 S * 4/1998 Bennett D19/65
5,871,161 A 2/1999 Nishibori
D409,630 S * 5/1999 Cornell D15/127
6,238,516 B1 5/2001 Watson et al.
6,282,985 B1 * 9/2001 Tseng B67B 7/0441
81/3.29
6,338,619 B1 * 1/2002 Rusch B29C 73/025
156/94
6,681,491 B2 1/2004 Currie
6,796,211 B1 * 9/2004 Braunberger B26F 1/3846
30/310
6,813,839 B2 * 11/2004 McLean B26B 5/00
144/144.1
D499,325 S * 12/2004 McLean D8/51
D594,308 S * 6/2009 Davies D8/98
D741,129 S * 10/2015 Sanders D8/41
D748,700 S * 2/2016 Velozny D15/139
D763,055 S * 8/2016 Lipscomb D8/98
D807,417 S * 1/2018 Korte D15/139
2020/0038977 A1 * 2/2020 Azmi B26F 1/32

FOREIGN PATENT DOCUMENTS

EP 0 769 355 A1 4/1997
FR 2 729 883 A1 8/1996
JP 3039962 U 8/1997

* cited by examiner

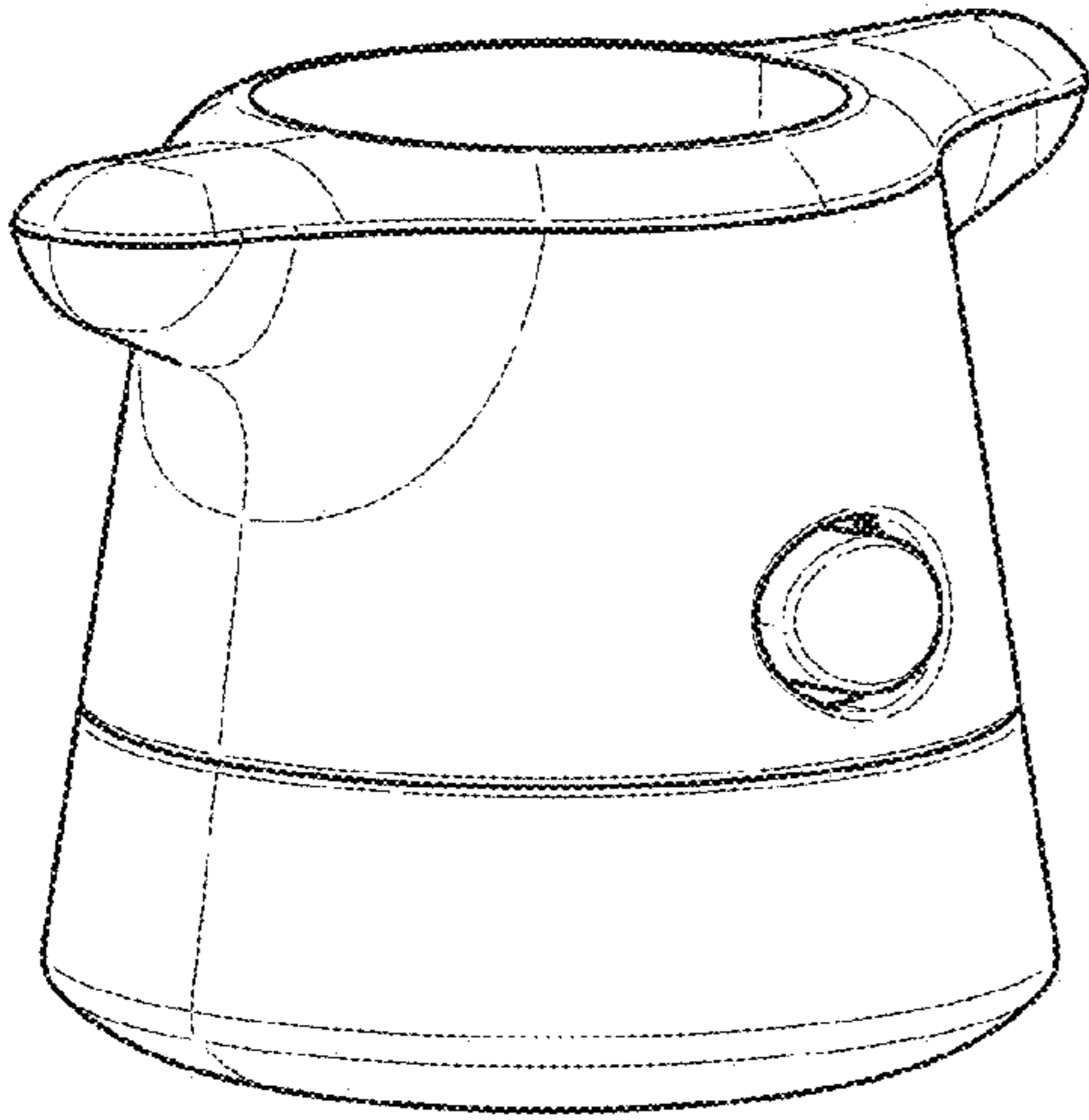


FIG. 1

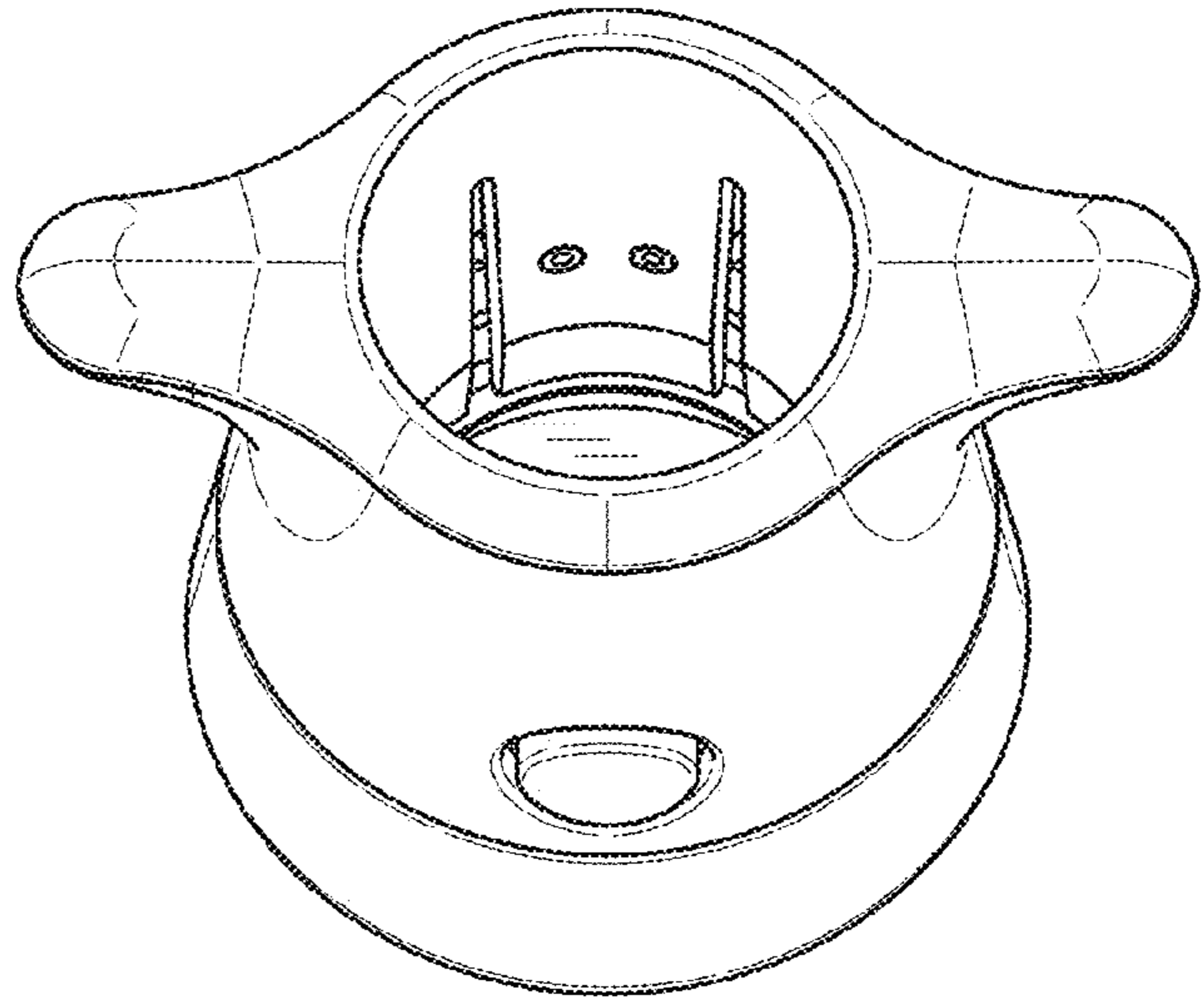


FIG. 2

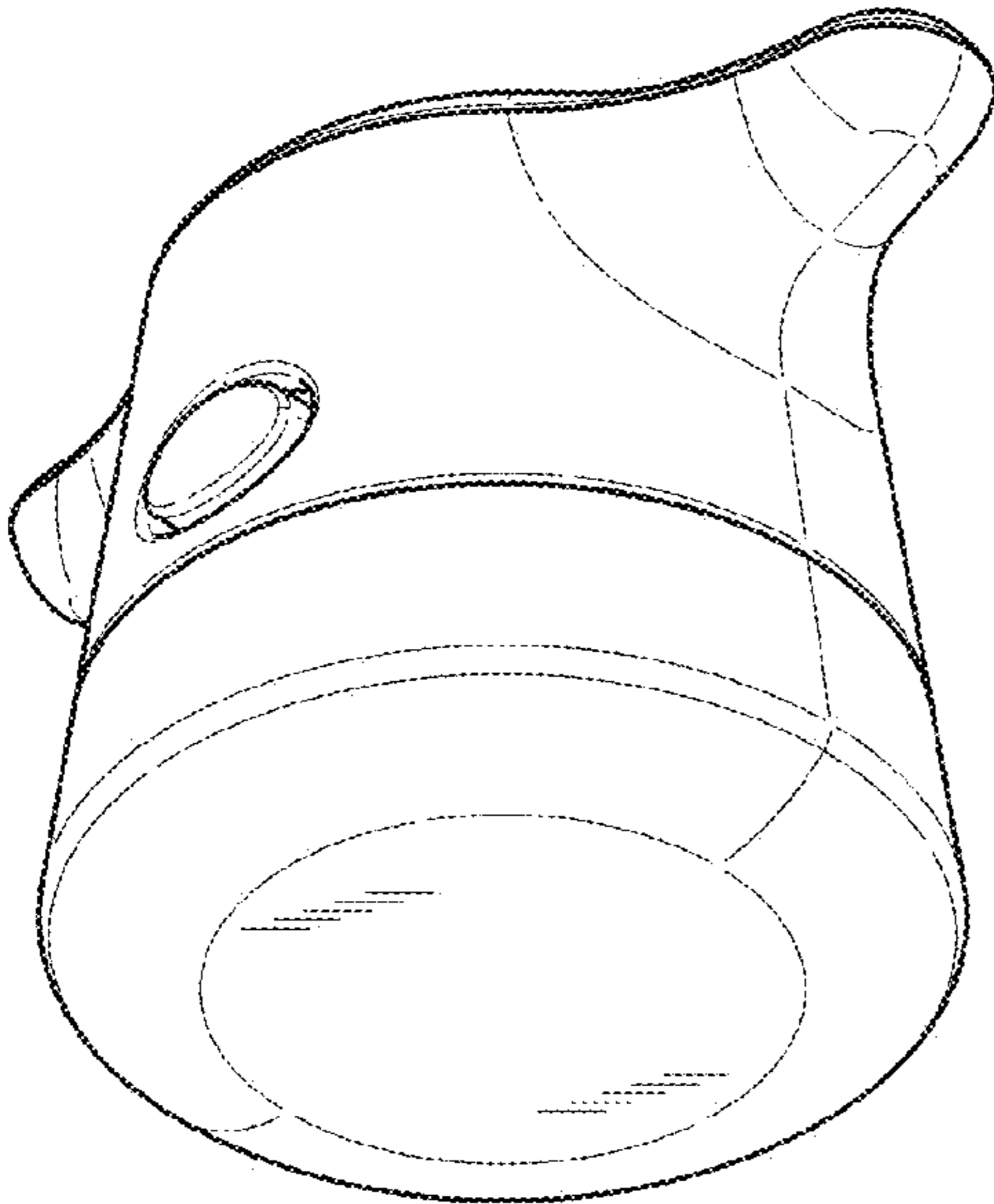


FIG. 3

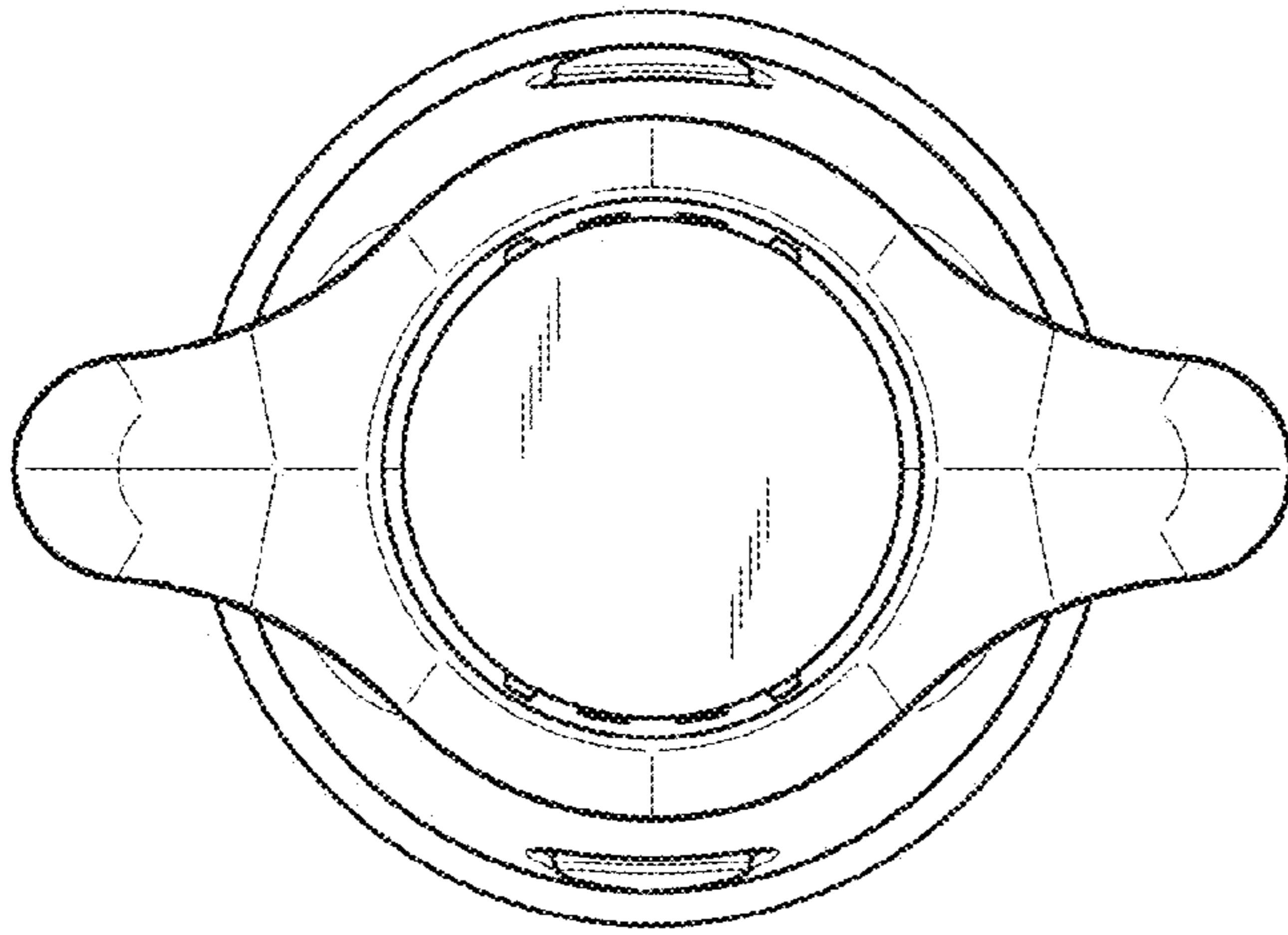


FIG. 6

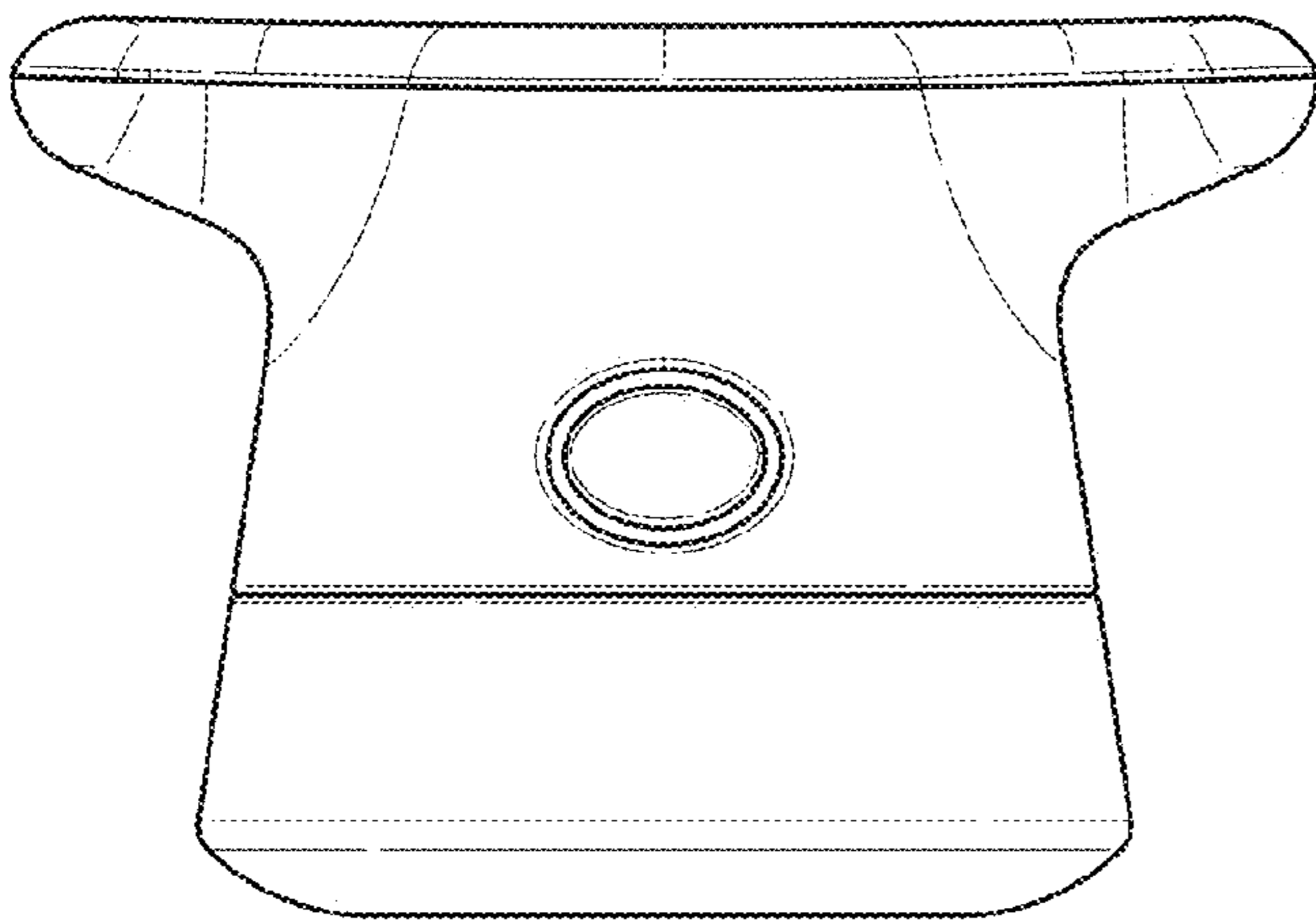


FIG. 4

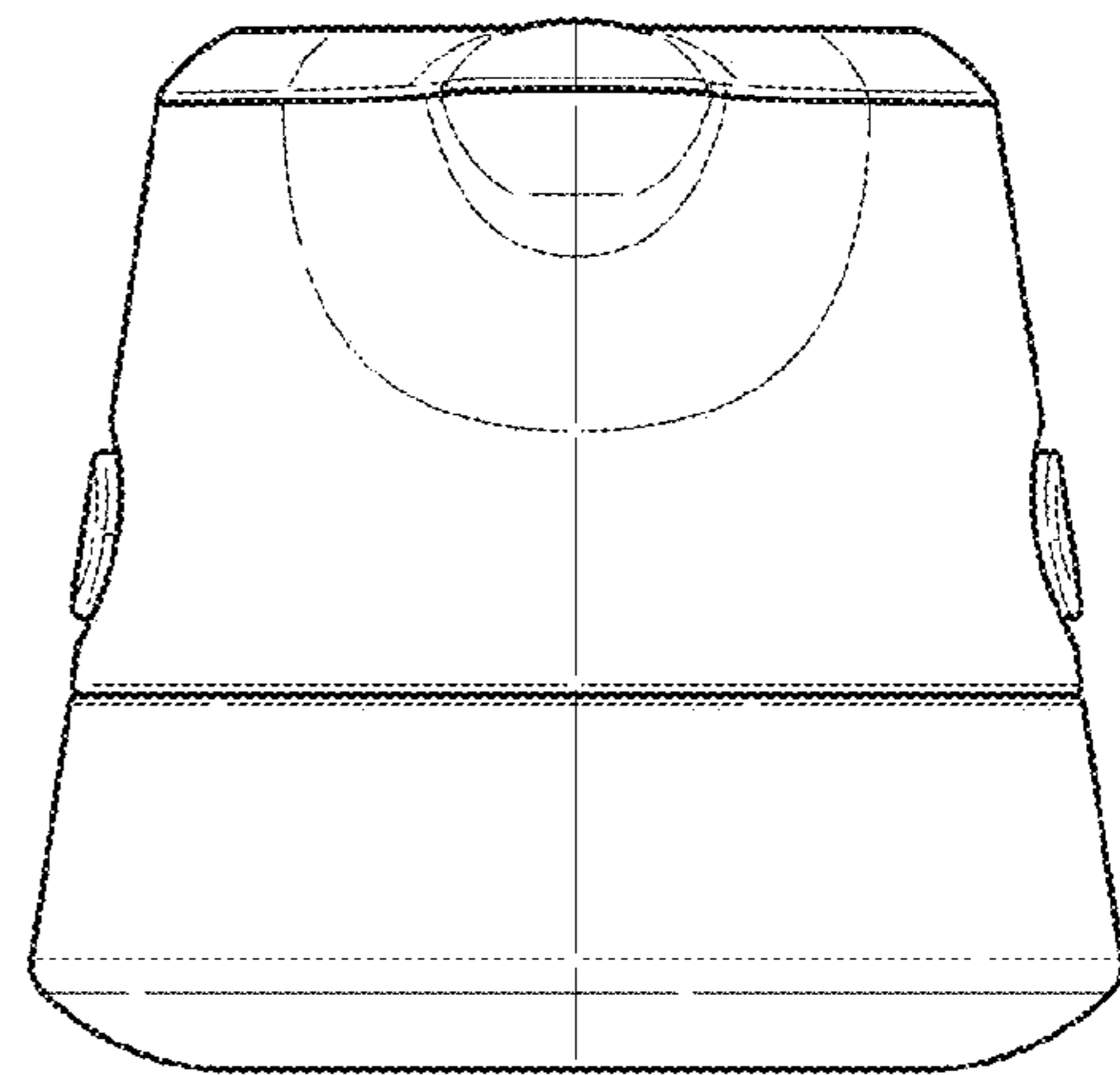


FIG. 5

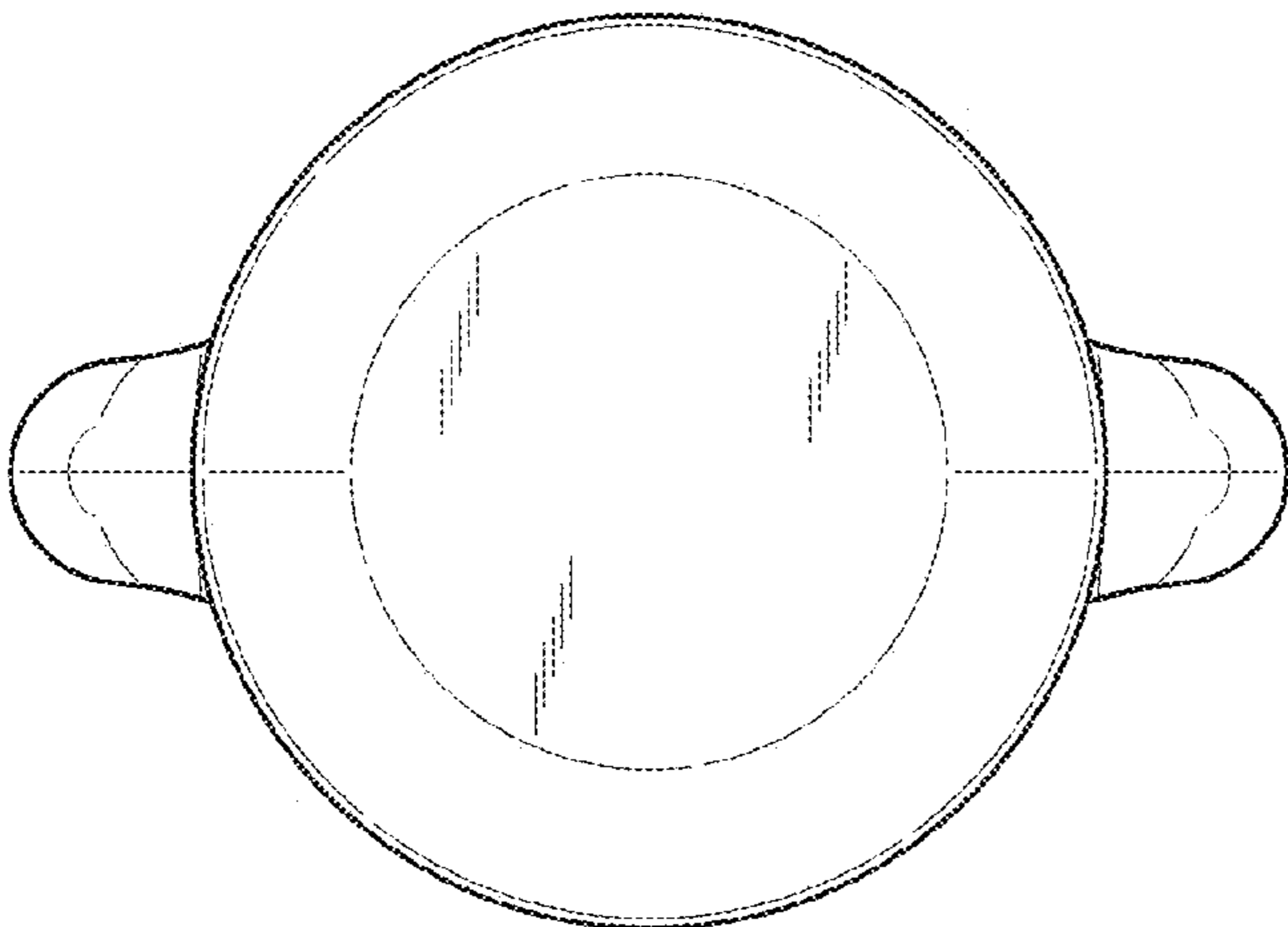


FIG. 7

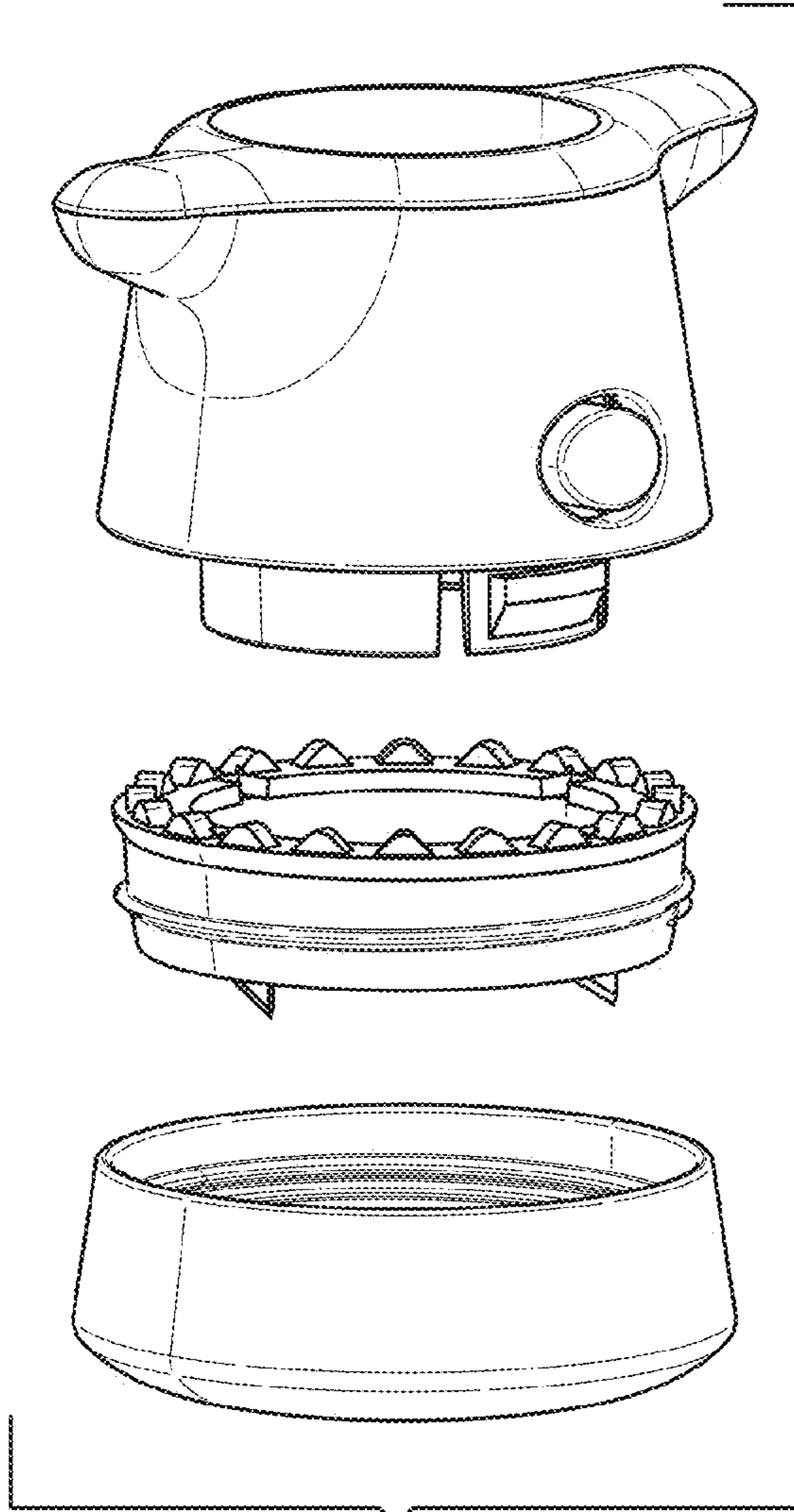


FIG. 8

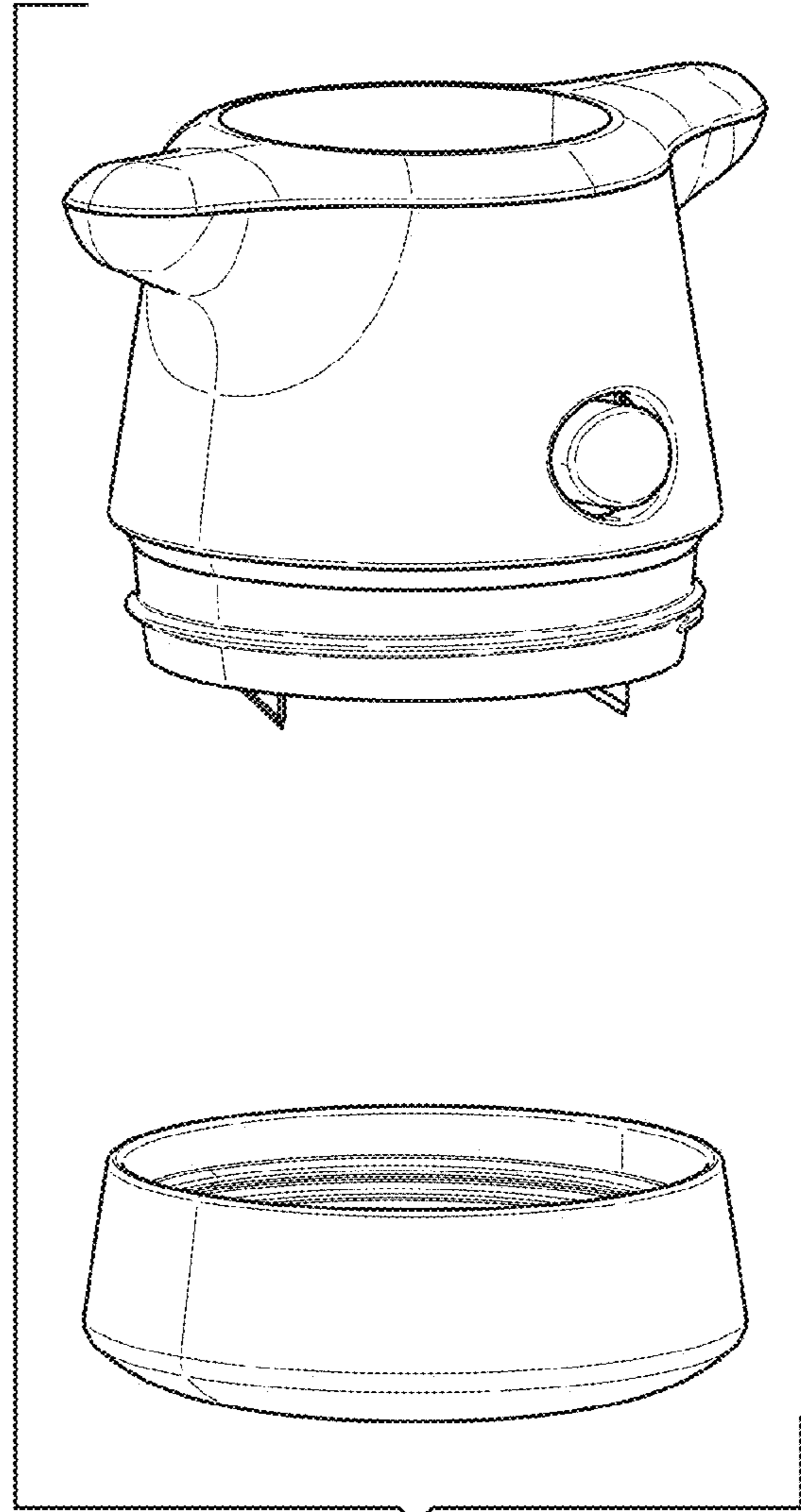


FIG. 9

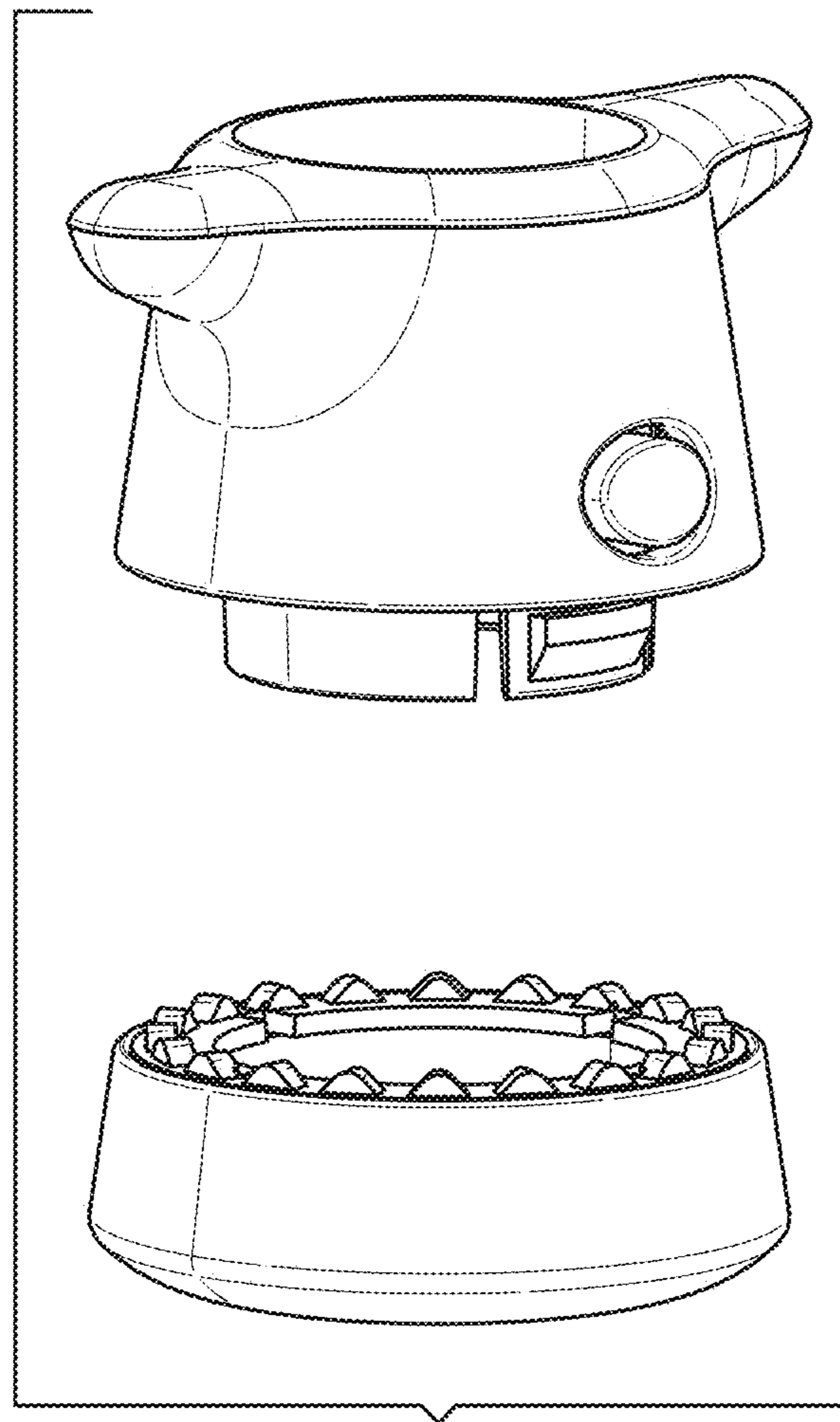


FIG. 10

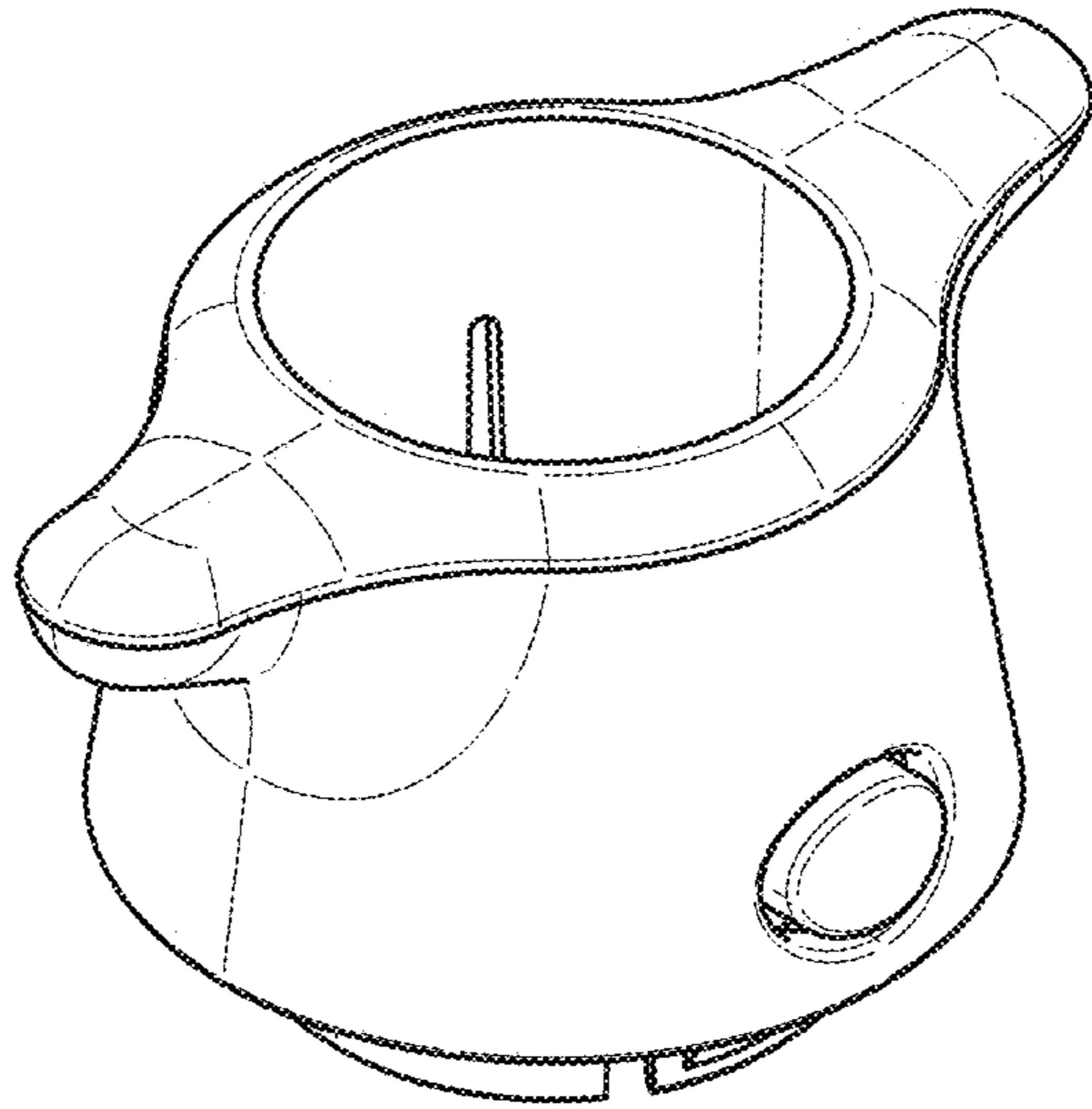


FIG. 11

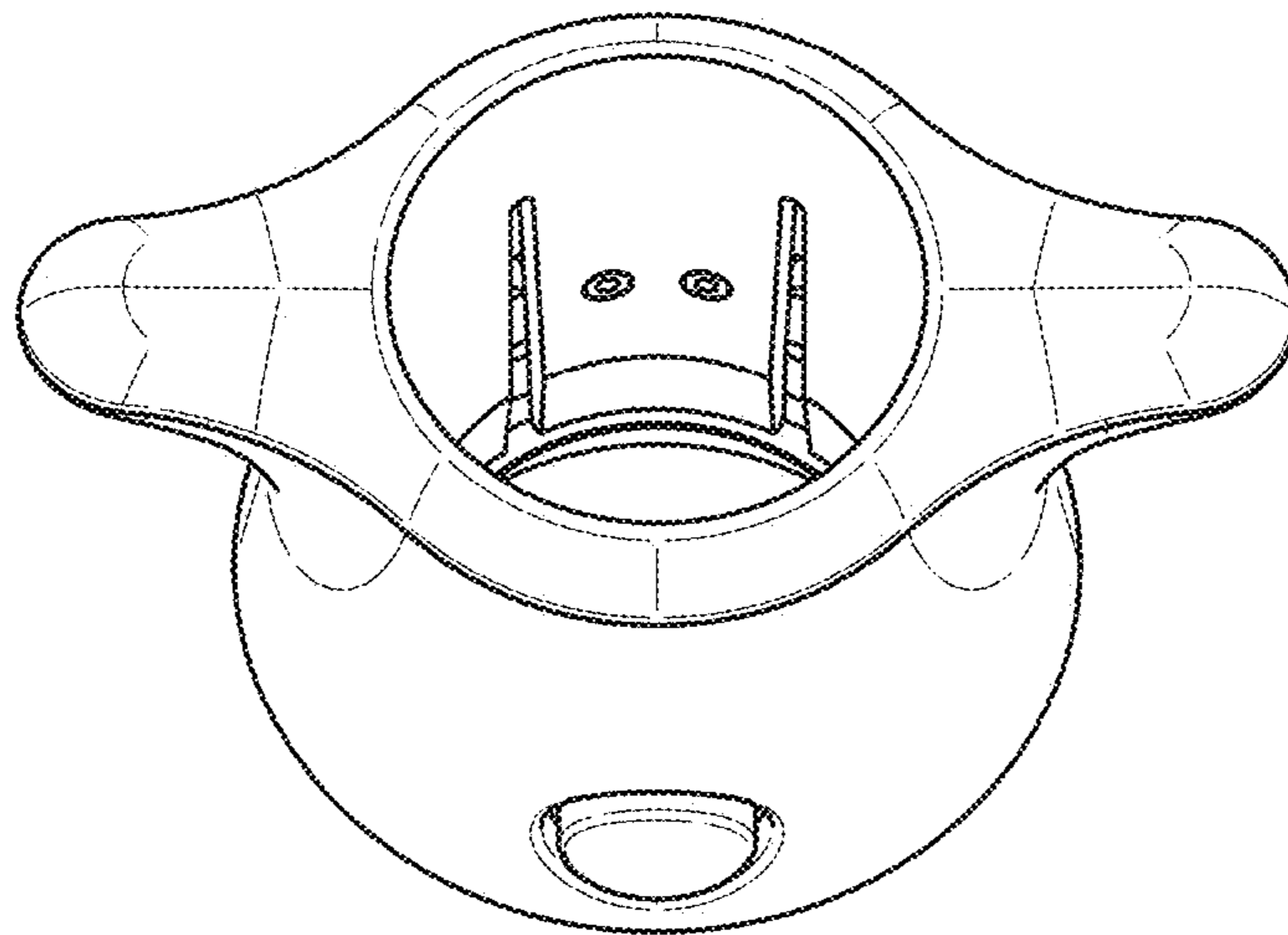


FIG. 12

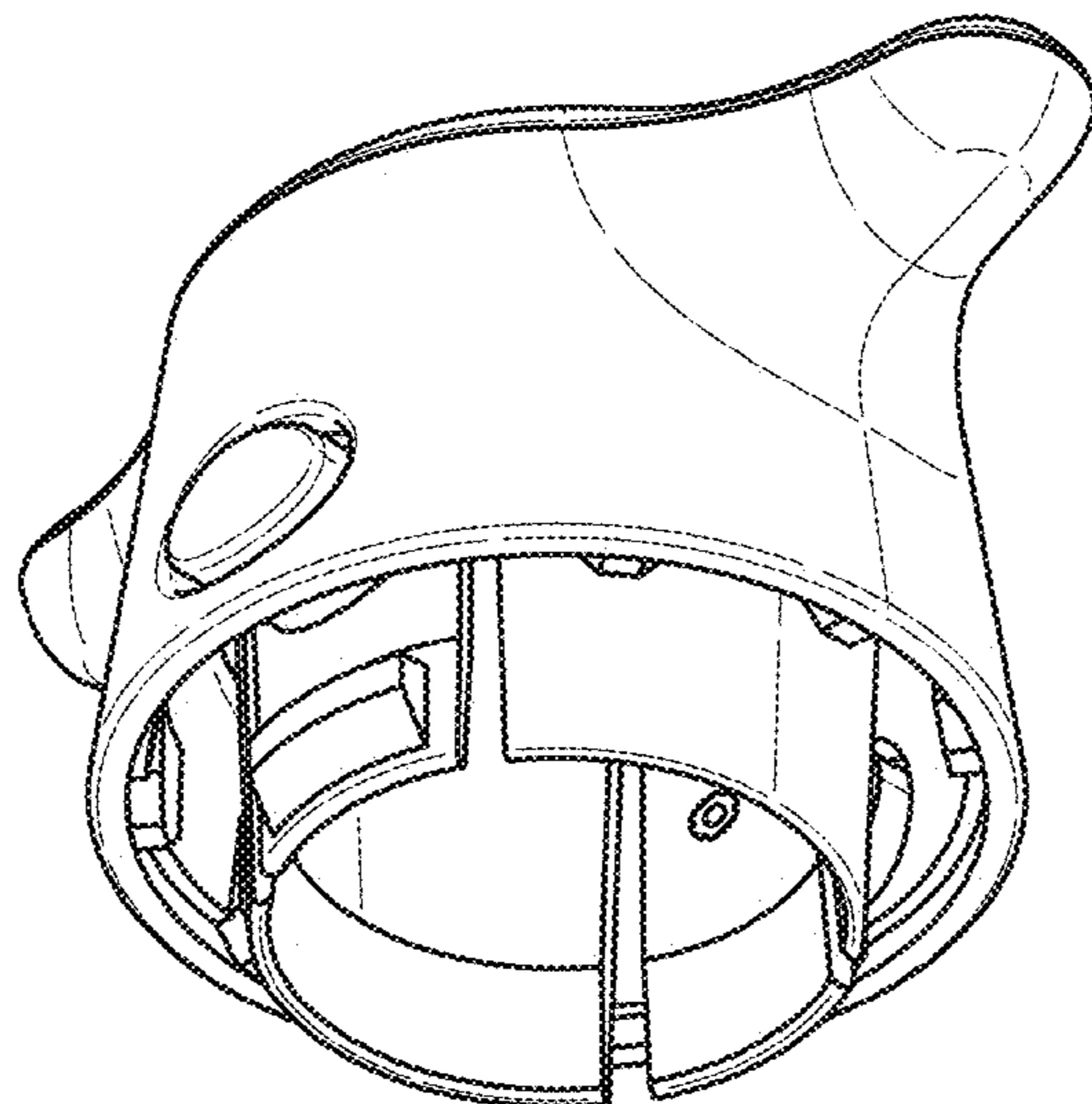


FIG. 13

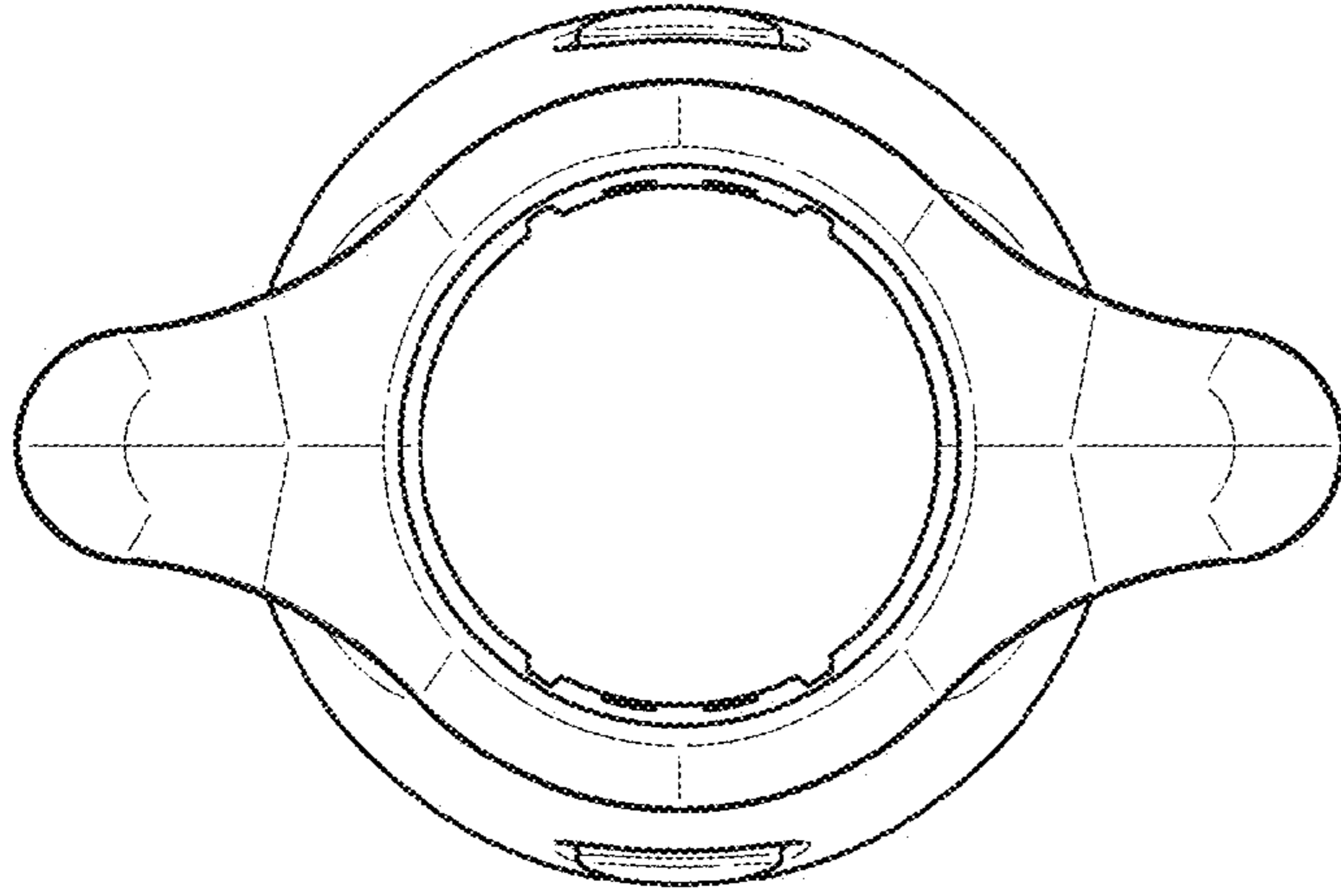


FIG. 16

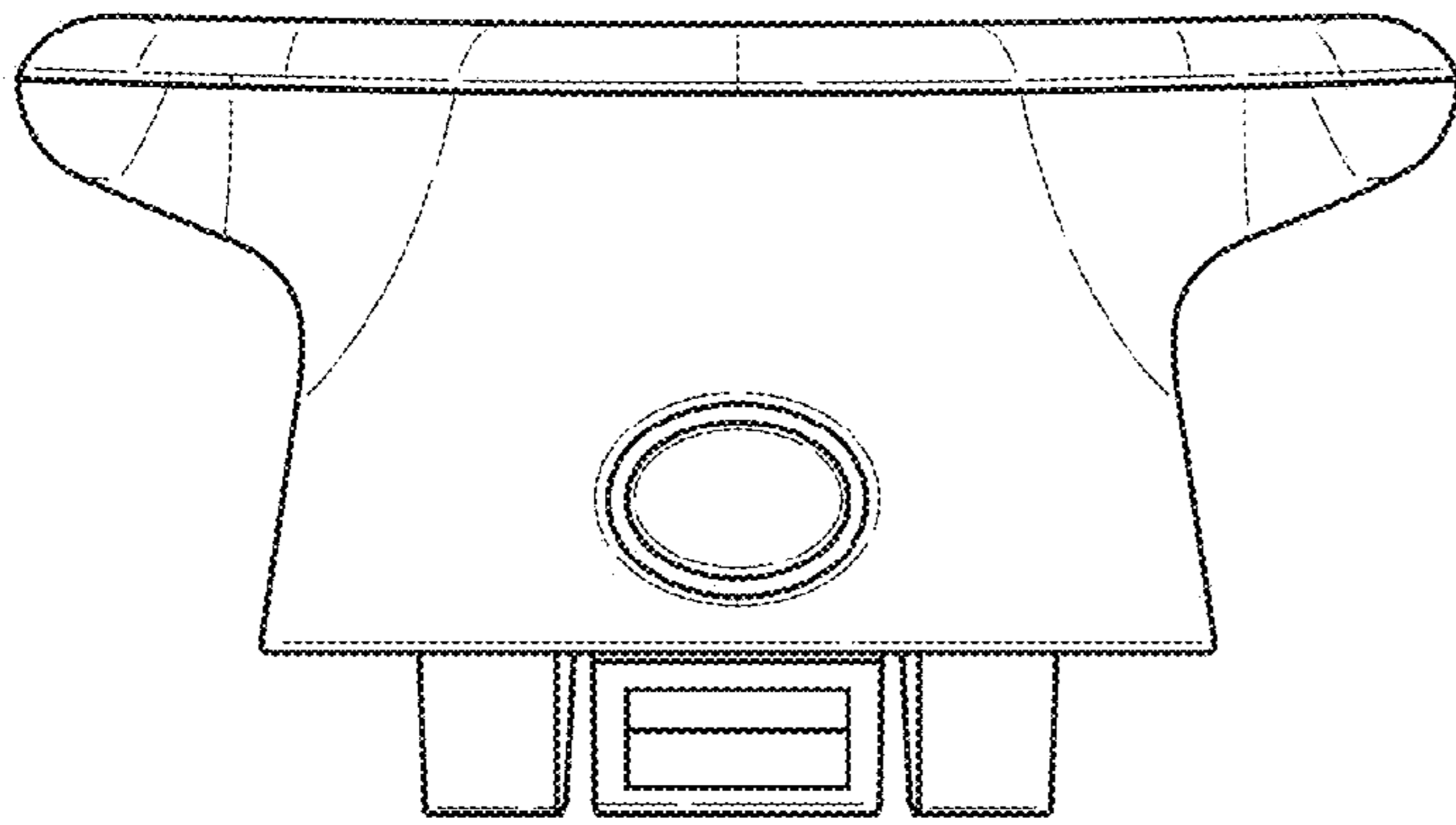


FIG. 14

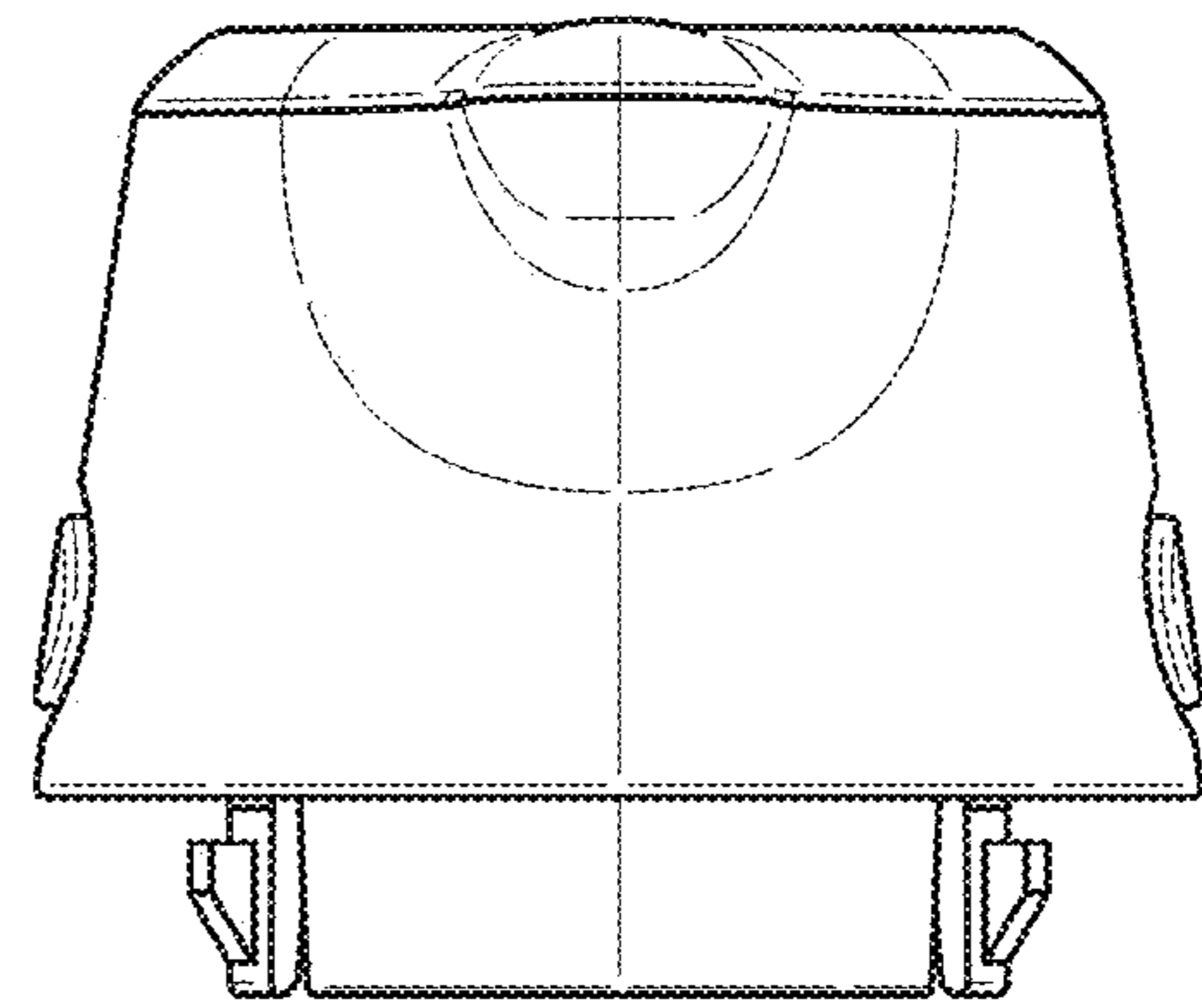


FIG. 15

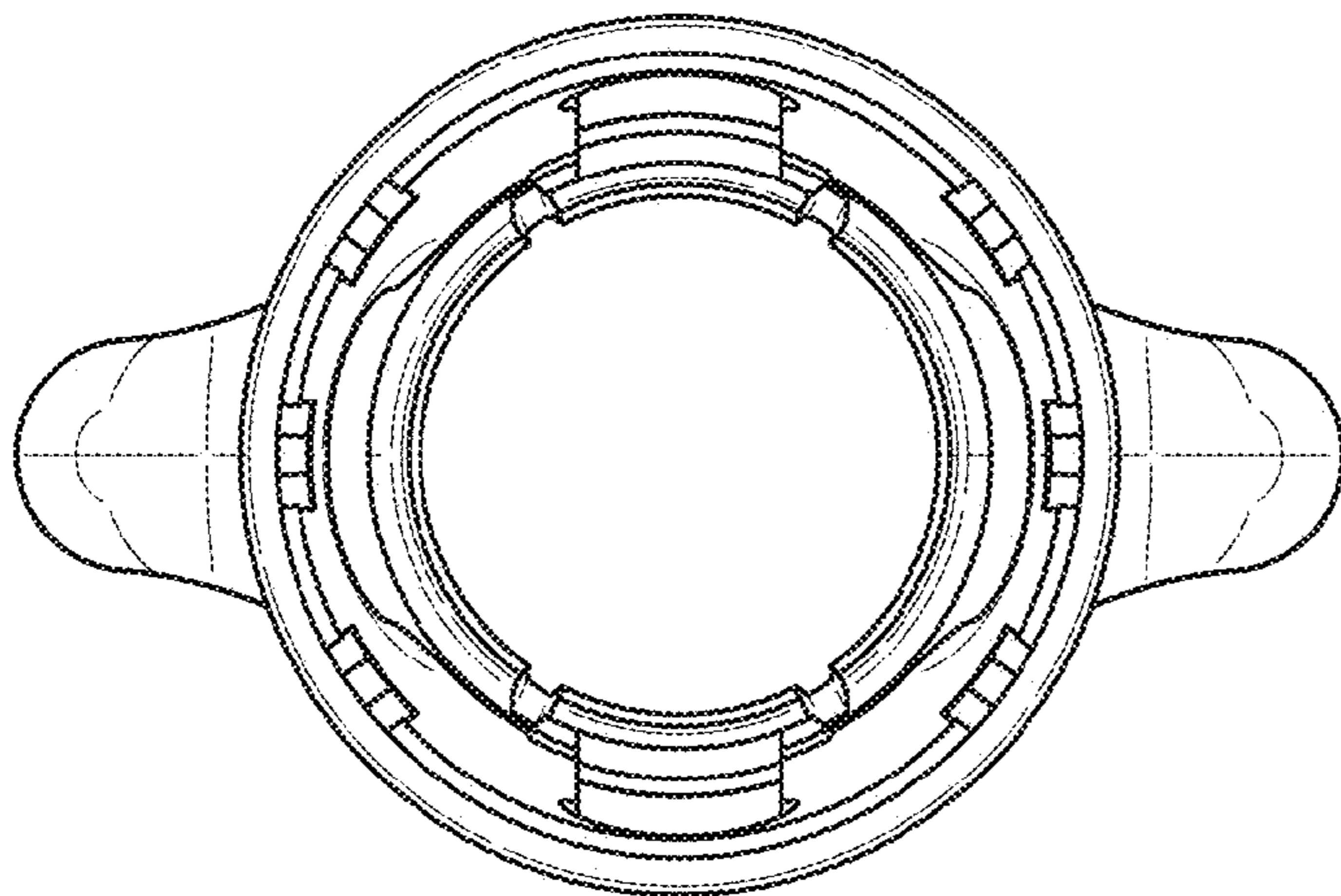


FIG. 17

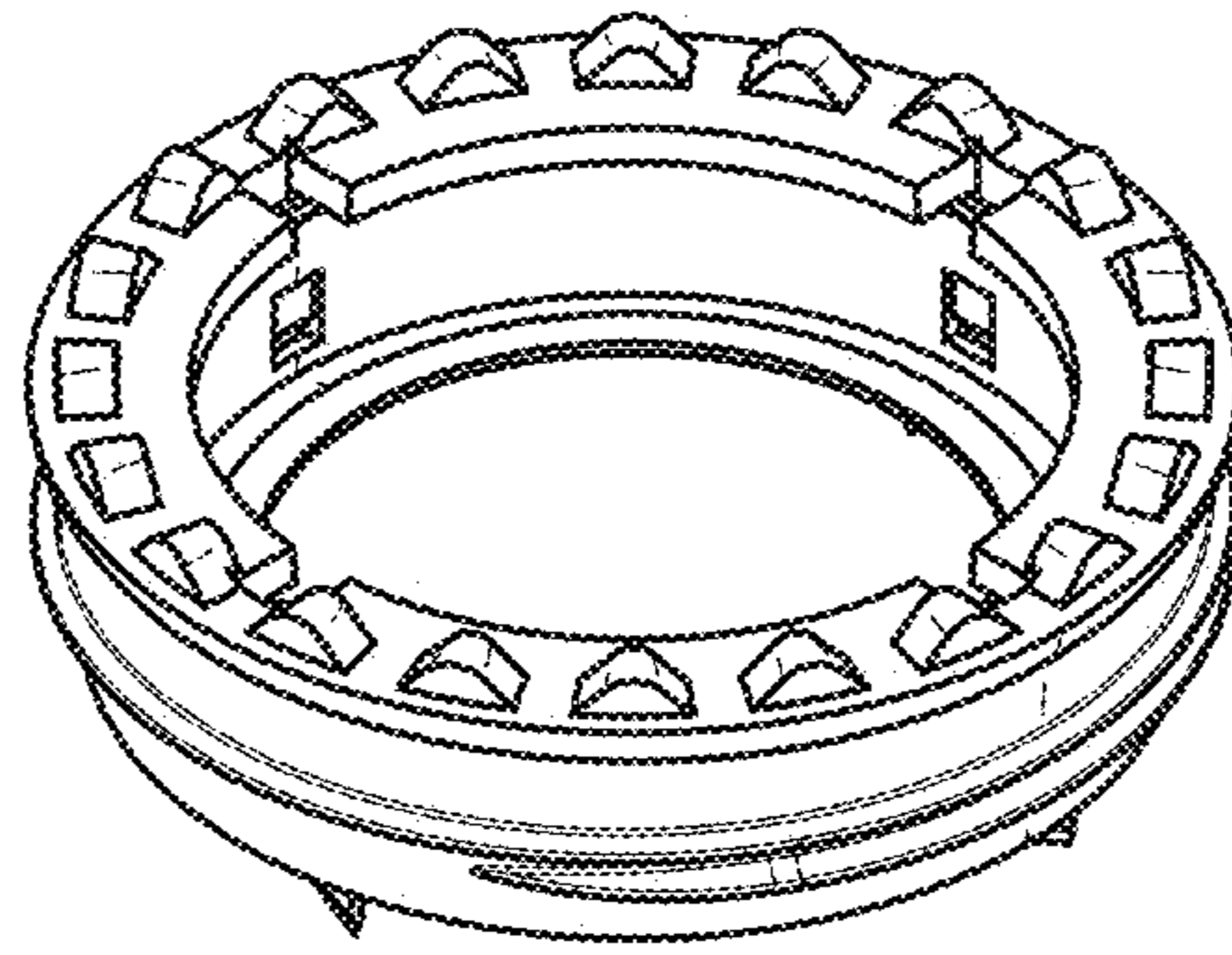


FIG. 18

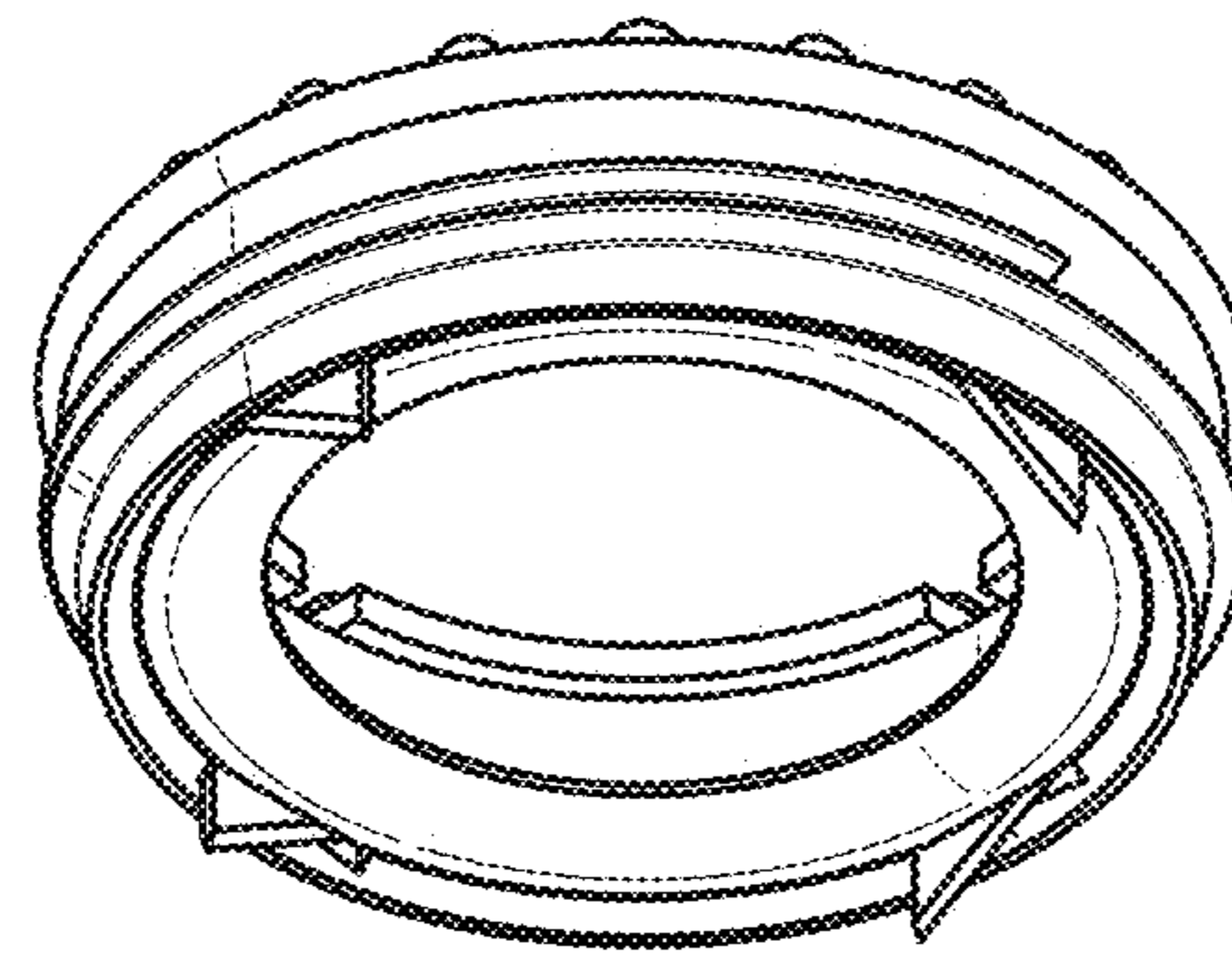


FIG. 19

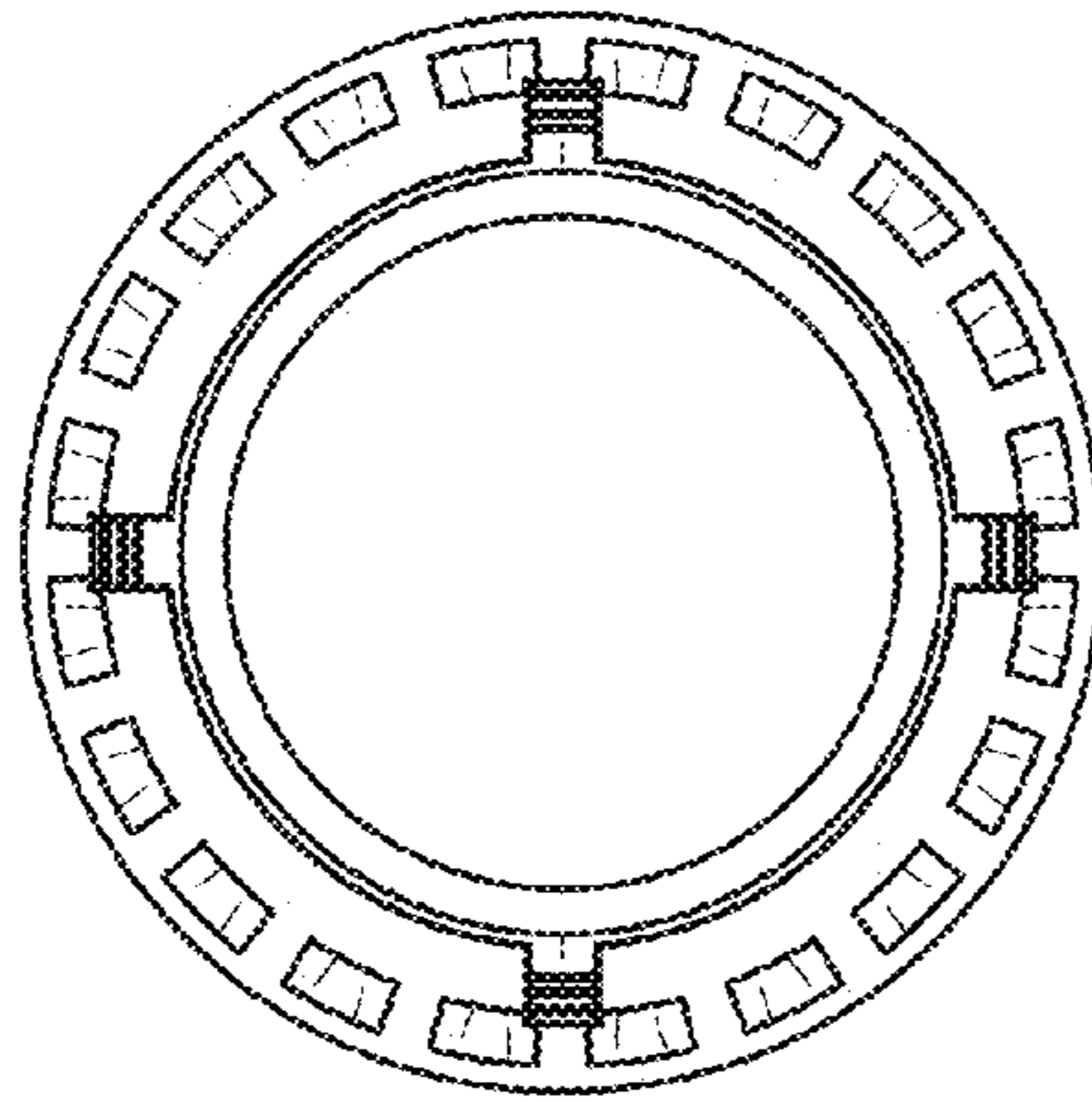


FIG. 23

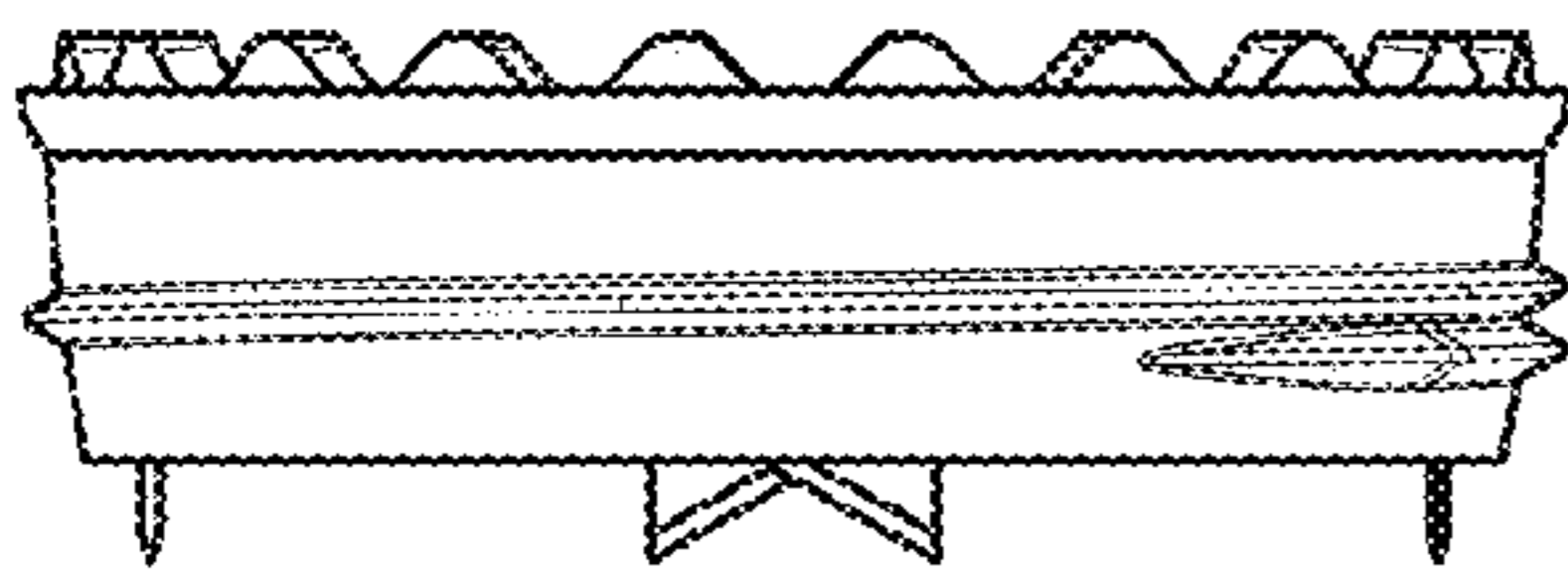


FIG. 21

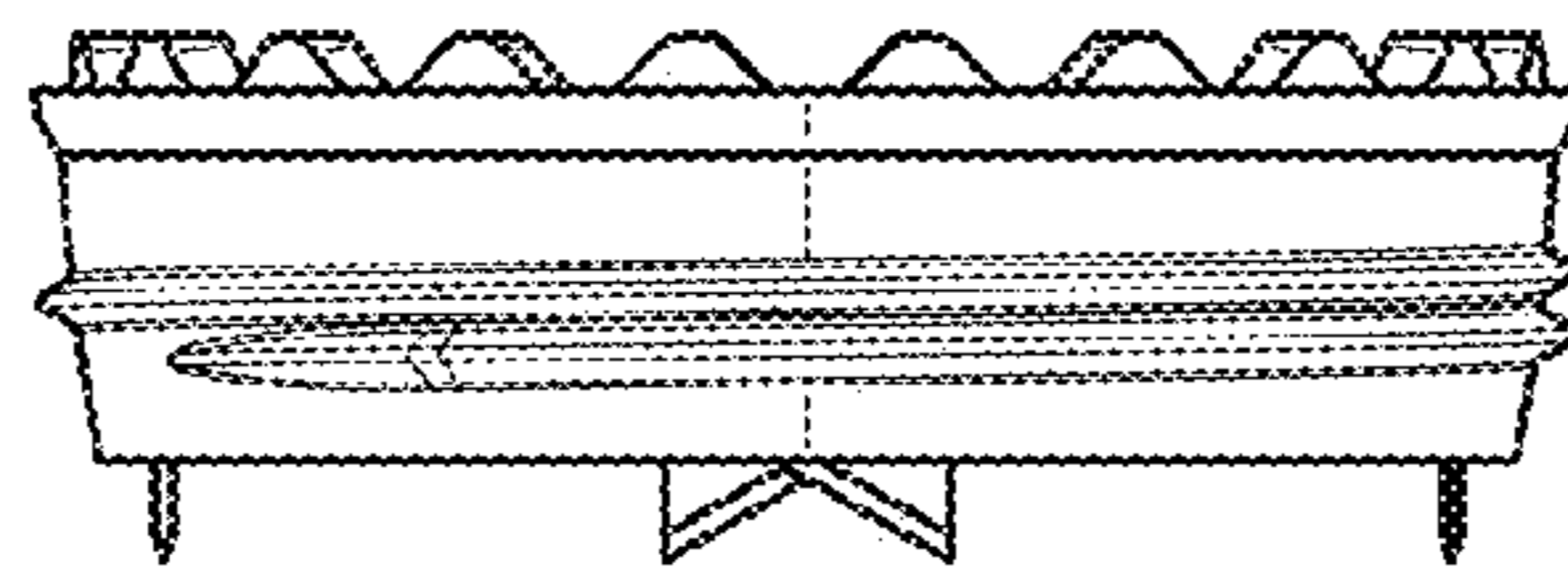


FIG. 20

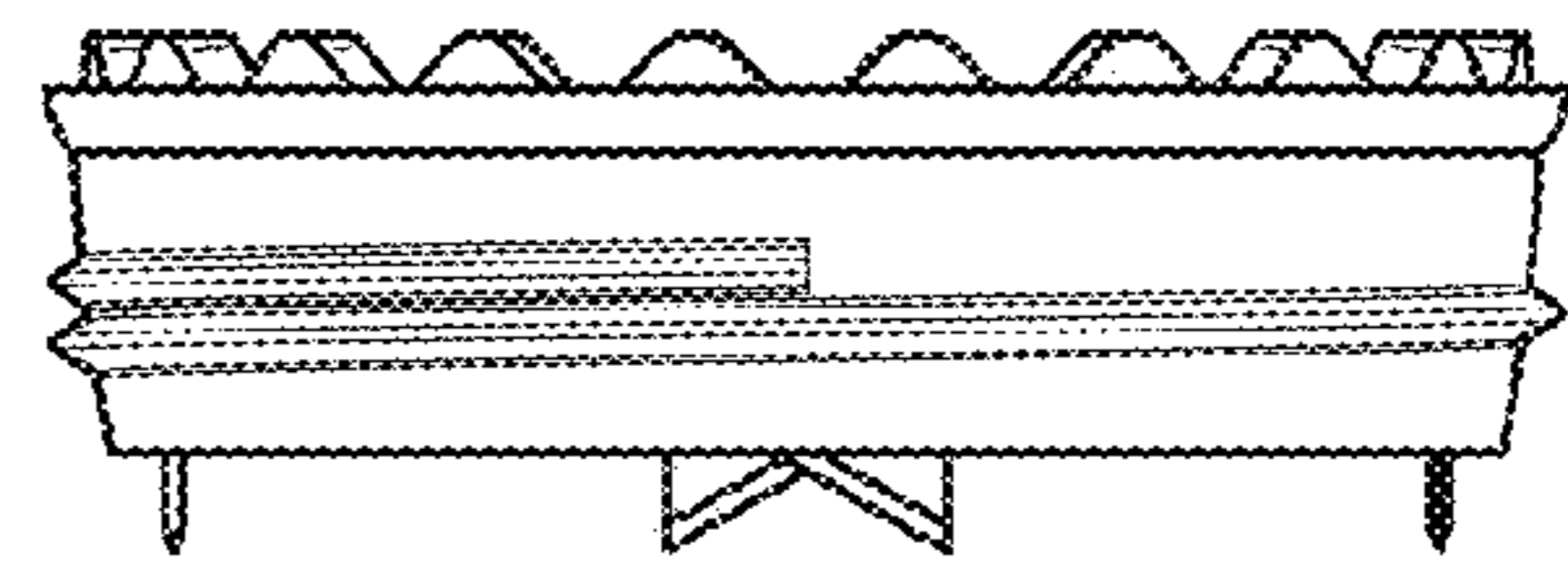


FIG. 22

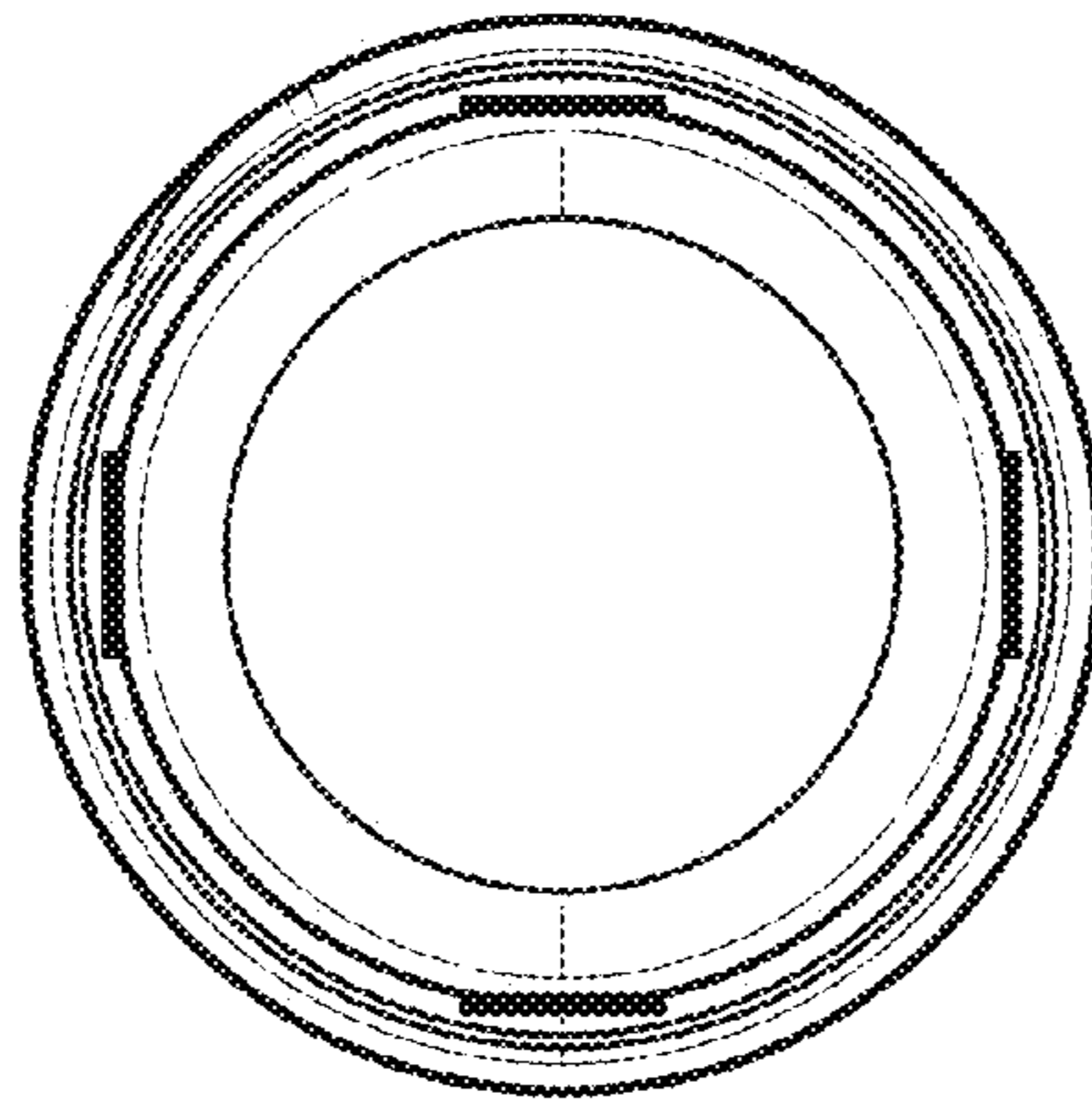


FIG. 24

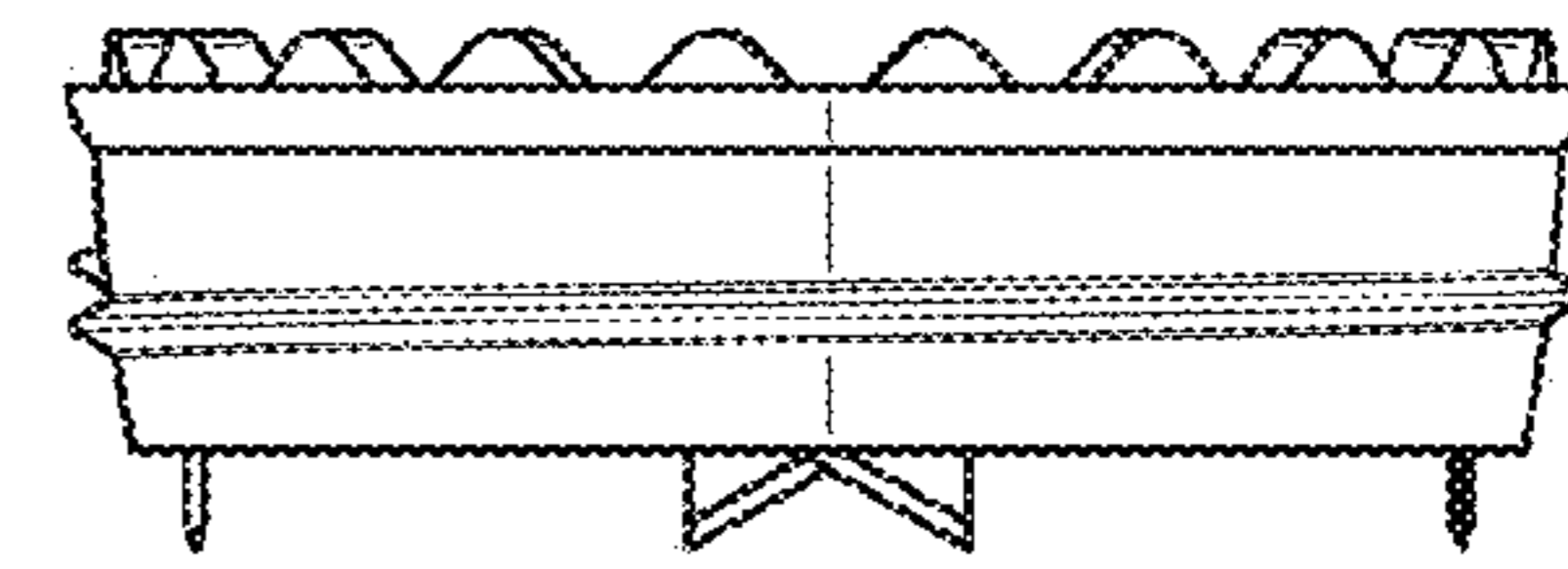


FIG. 25

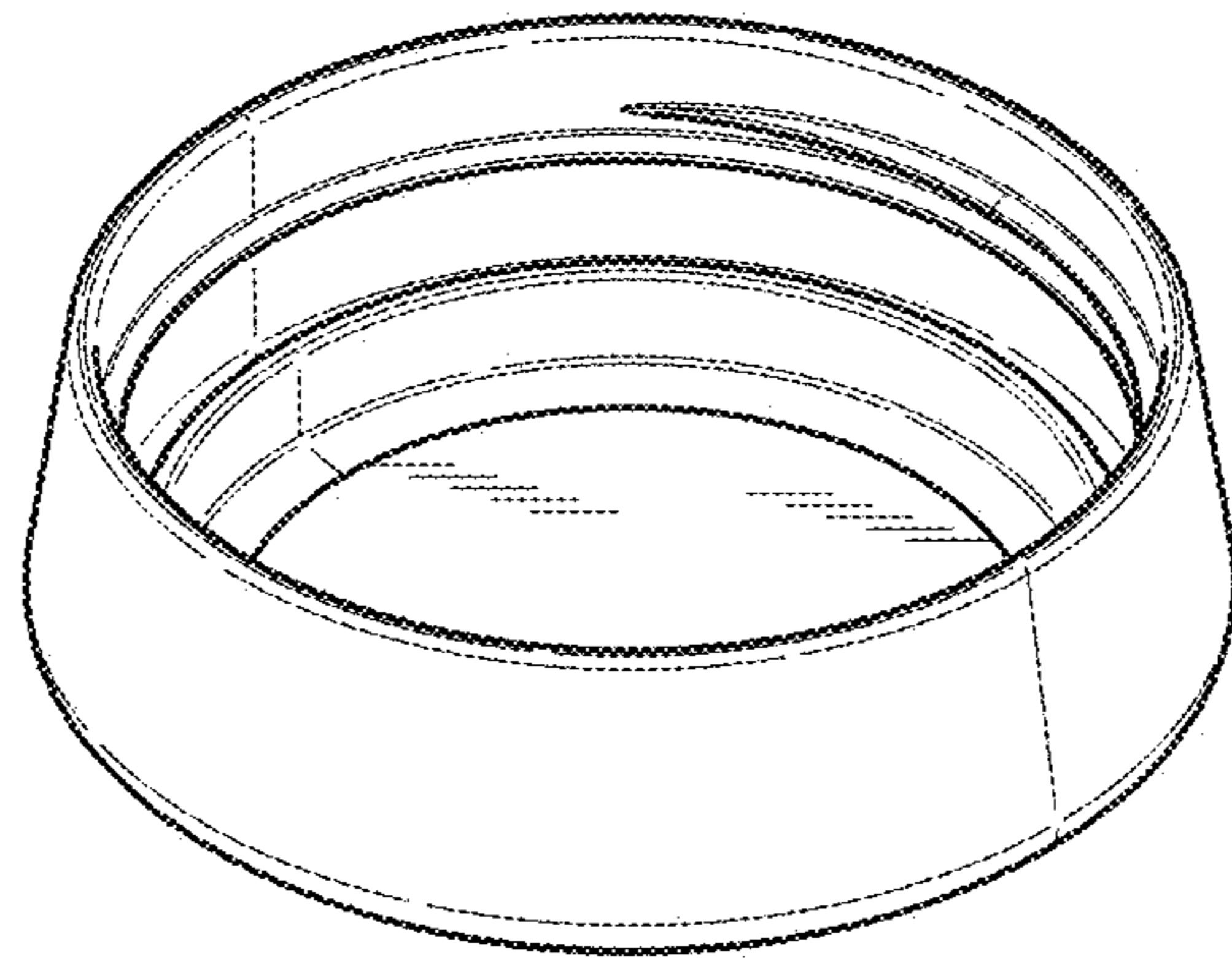


FIG. 26

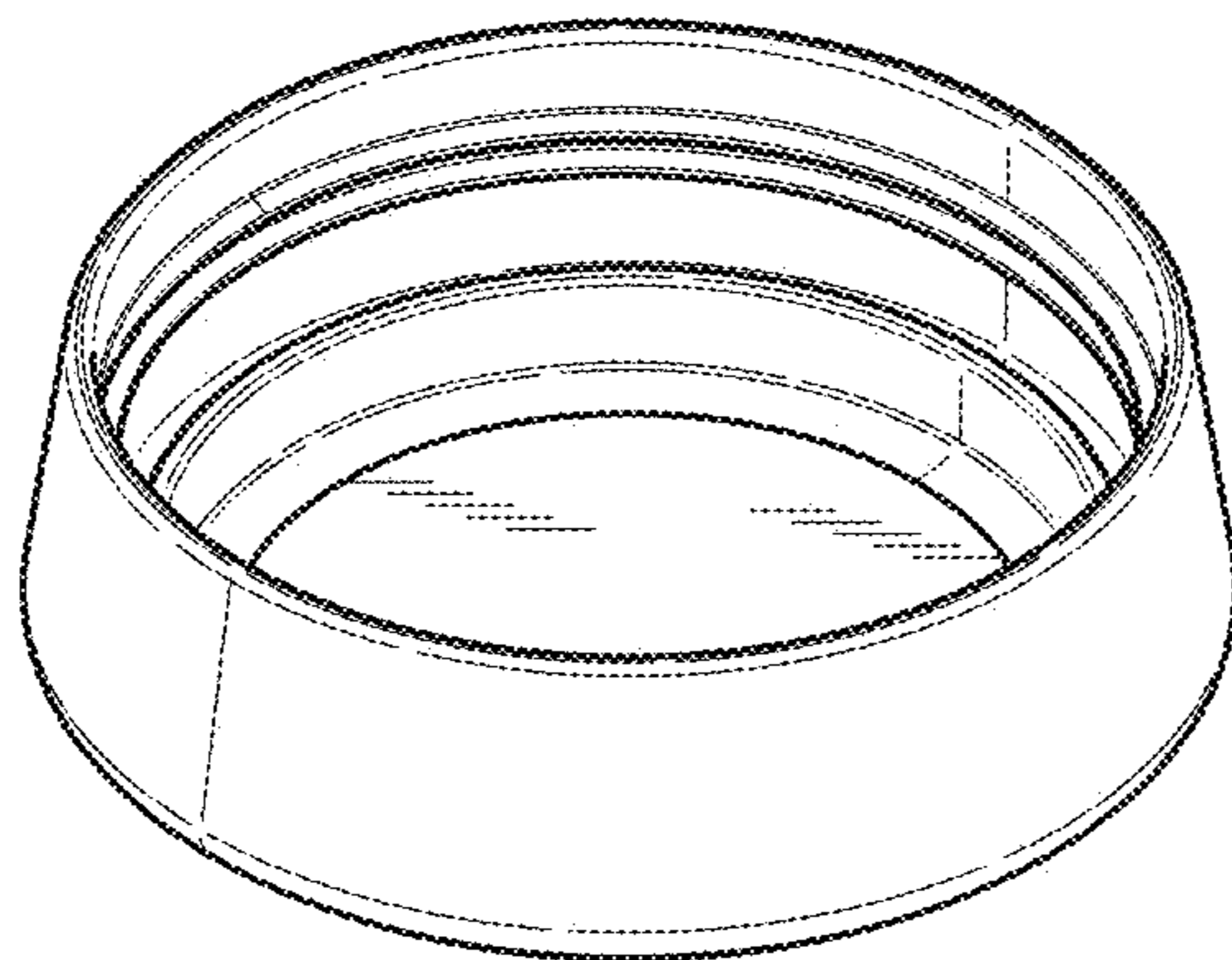


FIG. 27

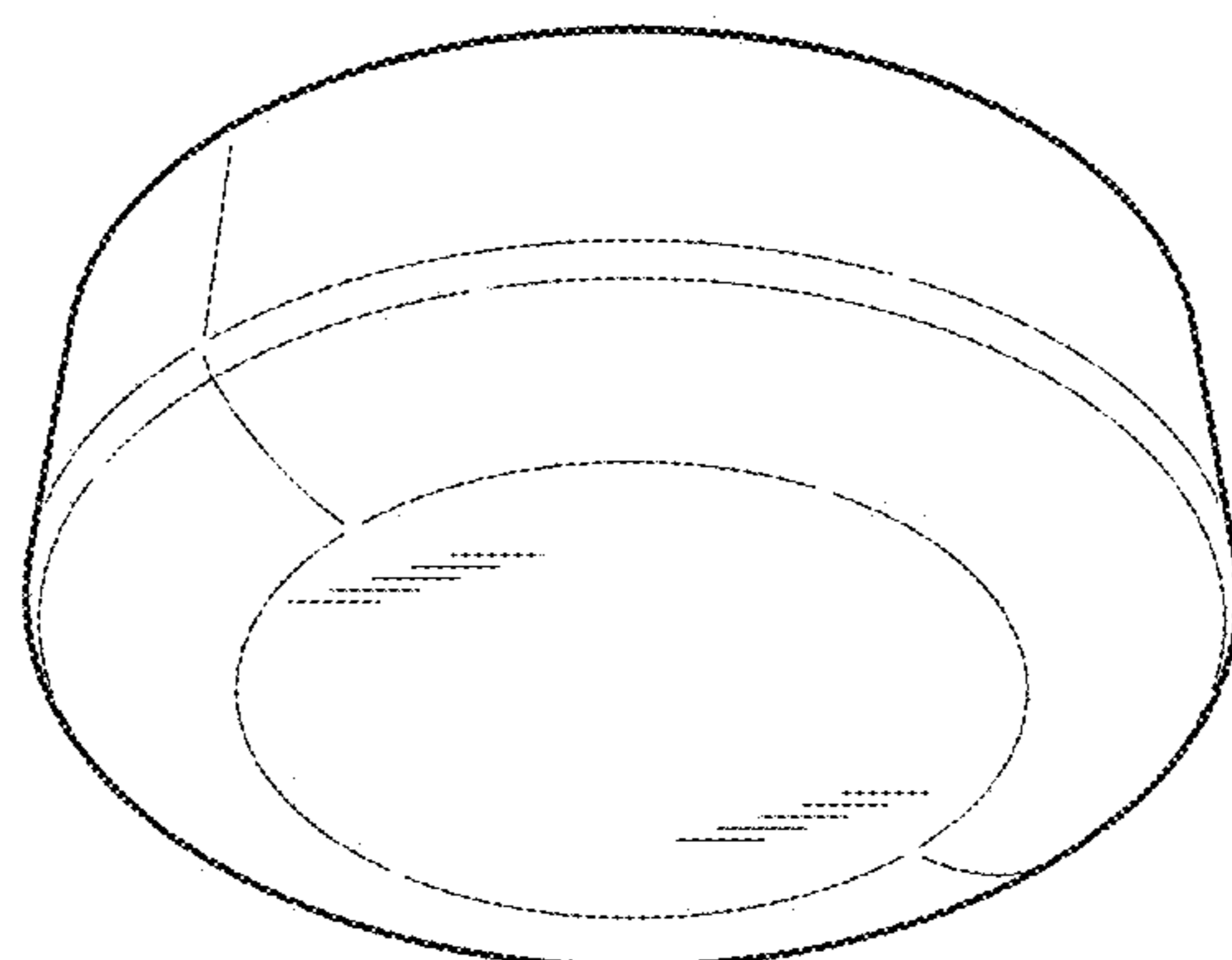


FIG. 28

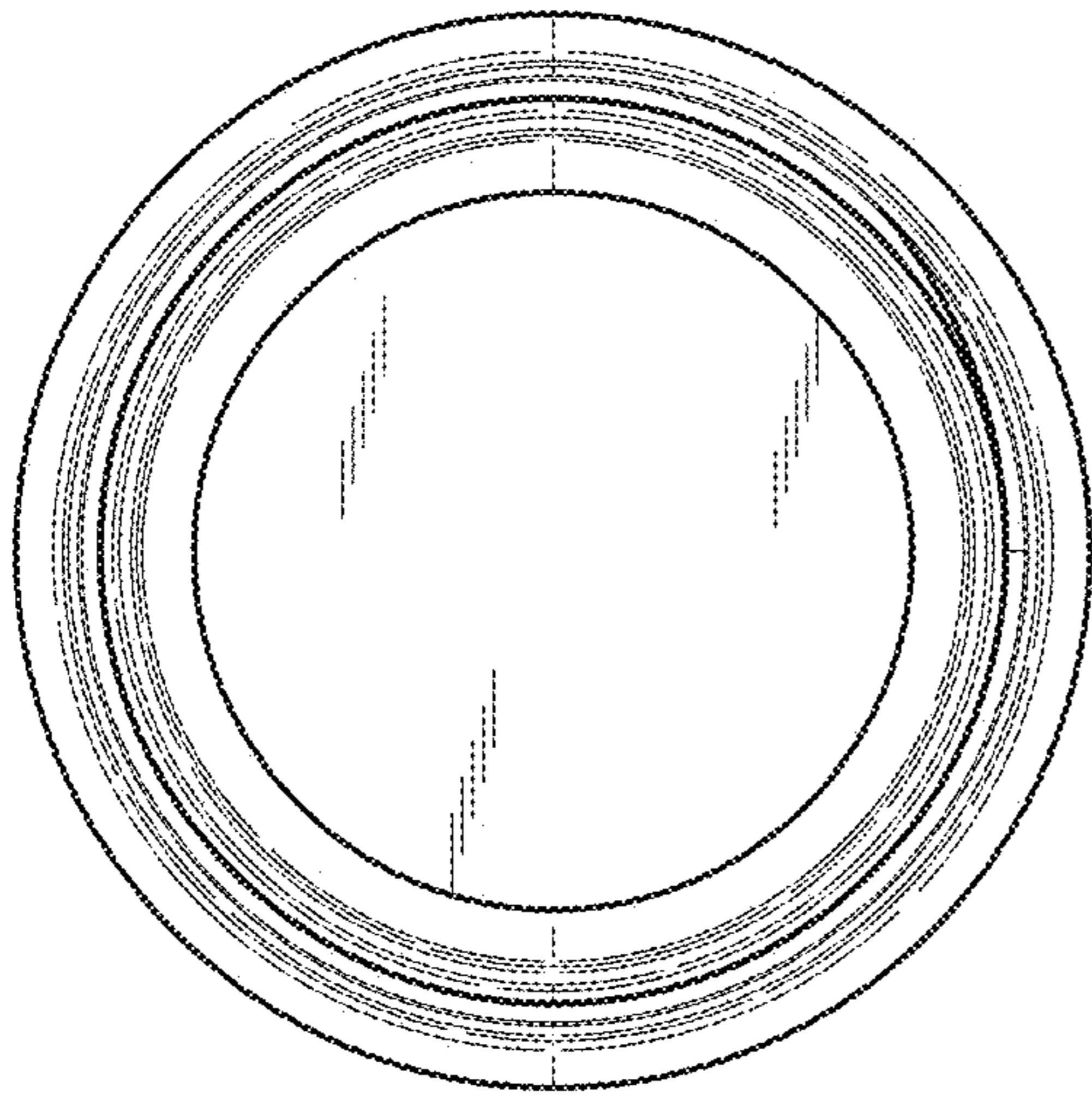


FIG. 31

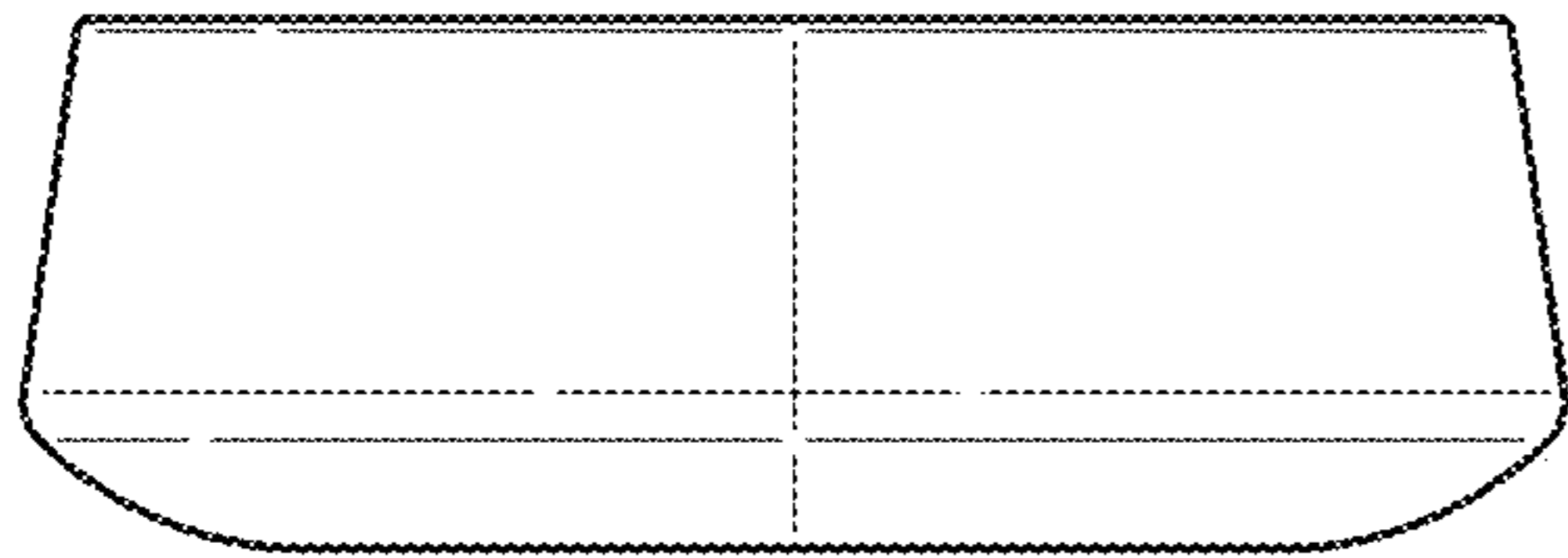


FIG. 29

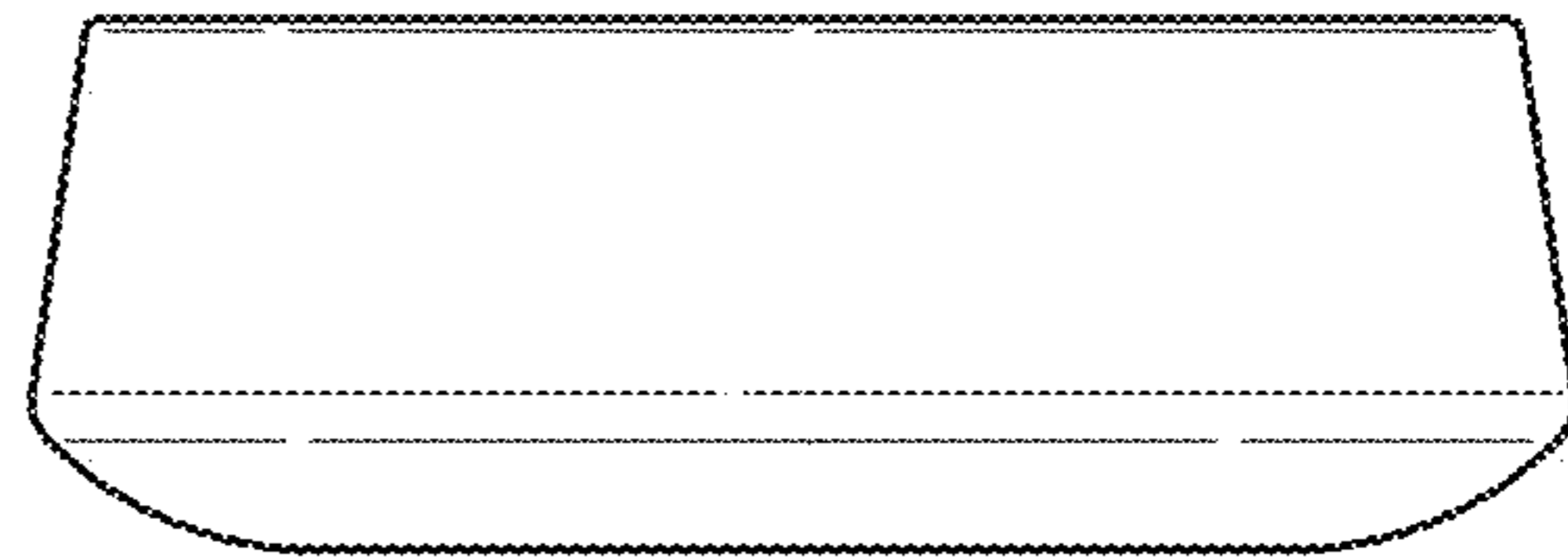


FIG. 30

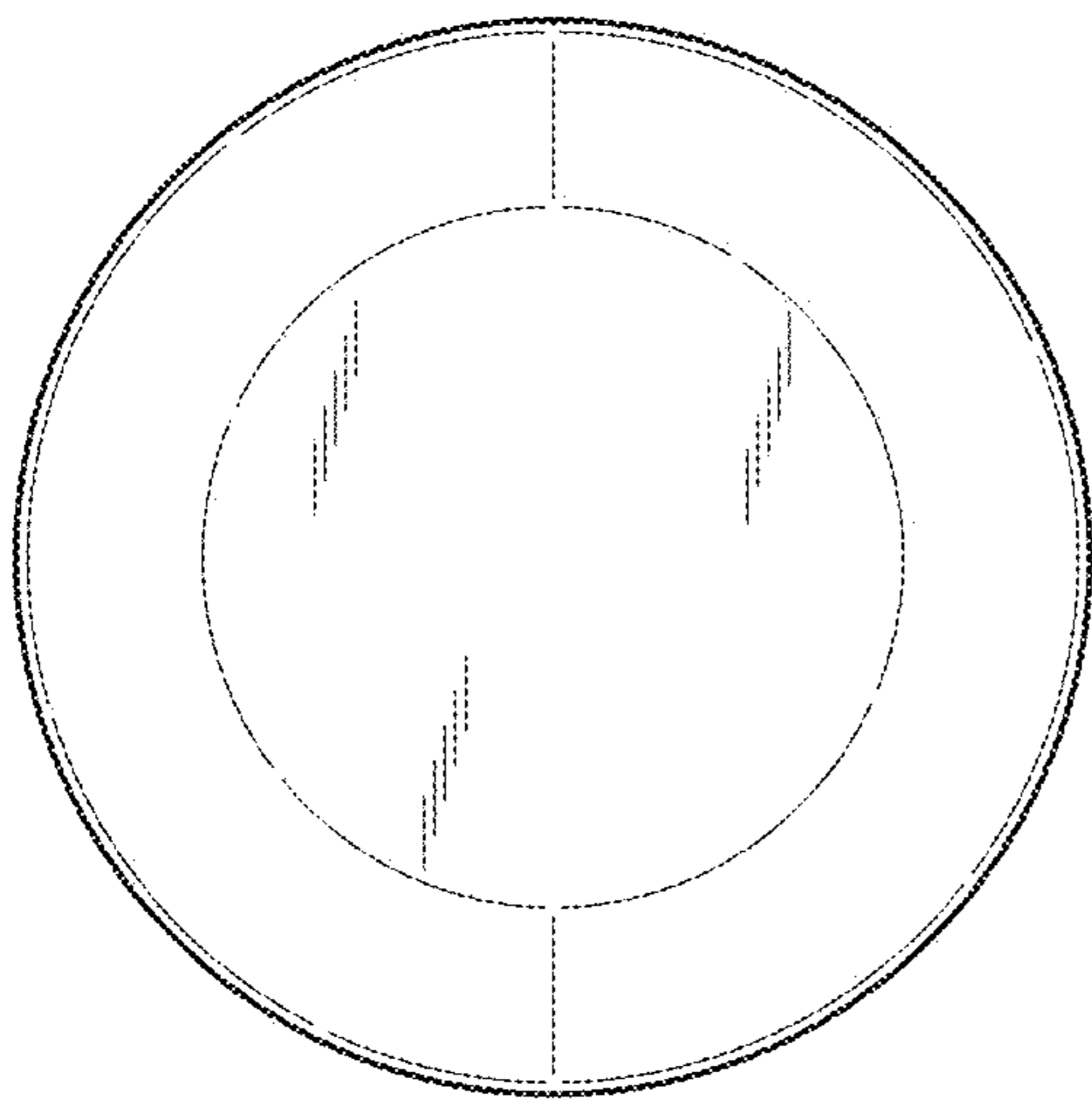


FIG. 32